

# Price List

Canada  
2018 Midyear

Terminals and Indicators  
Software, Printers and Peripherals  
Counting Scales  
Bench Scales and Bench Platforms  
Floor Platforms  
Pallet Truck Scales  
Hazardous Area Solutions  
Overhead Monorail Scales  
Shipping and Mail Scales  
Weigh Modules  
Automated Precision Weighing  
Checkweighers  
Forklift Scales  
Drumfilling  
Laboratory Weighing  
Railroad Scales  
Truck/Vehicle Scales

**METTLER TOLEDO**  
Standard Industrial

**METTLER TOLEDO**



## Industrial Weighing

### Terminals and Indicators **9-56**

ICS4_5 Configured	9
ICS4_9 Configured	13
ICS685 Configured	17
ICS689 Configured	21
ACT350	26
IND231/236	27
IND246 Configured	29
IND246 POWERCELL	32
IND131 Configured	34
IND331 Configured	36
IND570 Configured	38
IND780 Configured	41
IND890-10 Configured	46
IND890-HMI Configured	49
IND890-ELO Configured	51
Custom Terminals	56

### Industrial Software **57-65**

#### Software

Collect+	57
WeighSync	58

#### SQC

FreeWeigh.Net®	59
FreeWeigh.Net® Compact	60
IND890SQC Configured	61
ICS689REM	64

#### Formulation

FormWeigh.Net®	65
----------------	----

### Printers and Peripherals **67-84**

APR310 Ticket Printer	67
APR510 Printer	68
APR710 Label Printer	70
APR331 Label Printer	72
8808 Ticket Printer	74
8857 Strip Printer	75
Okidata Microline 320 Form Printer	76
ACM360 Bluetooth Adaptor	77
ADI150 Scoreboard	78
ADI Scoreboards	79

#### Signal Amplifiers/Accessories

IIND110	80
A100 Analogue Output Module	81
ARM100 Digital Input/Output Module	82
ARM200 Vehicle Control Interface	83

## Counting Scales **84-101**

ICS241	85
ICS4_5 Configured SG	86
ICS4_5 Configured MB	90
ICS685 Configured SG	94
ICS685 Configured MB	98

## Bench Scales **103-118**

BBA231	103
BBA236	105
ICS226	107
ICS4_9 Combi Bench Configured	108
ICS689 Combi Bench Configured	114

## Bench Platforms **119-144**

PBA220	119
PBA226	122
PBA426	124
PBA429	126
PBA430	128
PBA655	131
PBD655	133
PBK785	135
PBK987 Configured	136
PBK989 Configured	139
Baseline™ HD	142

## Floor Platforms **145-209**

PFA261 combo	145
PFA266 combo	147
PFA261	149
PFA266	151
2256 Mild Steel	152
2256 Stainless Steel	154
PTA464 / PTA469 U-Scale	156
PUA574	158
PUA579	160
PFA569 lift	162
2158 Mild Steel	164
2158 Stainless Steel	167
PTA664 / PTA669 U-Scale	170
2888 Static Mild Steel	172
2888 Static Stainless Steel	175
2888 Portable Mild Steel	178
2888 Portable Stainless	182
PUA669	187
PFA579 lift	190
2158 EZ-Clean	192
MG4500 Liftmate™	196
General Accessories	198
Design-to-Fit Custom Floor Scales	202
PFK988 Configured	204
PFK989 Configured	207

## Pallet Truck Scales **211**

BTA231	211
--------	-----

<b>Overhead Monorail Scales</b>	<b>213</b>
0990 Monorail	213
<b>Hazardous Area Solutions</b>	<b>215-246</b>
<b>Ex Weighing Terminals</b>	
IND226x	215
ICS466x	217
IND560x Configured	219
IND570xx Configured	223
<b>Ex Power &amp; Communication</b>	
APS768x	226
ACM500	227
ACM200	230
<b>Signal Amplifiers/Accessories</b>	
ISB(x) Intrinsic Safety Barrier	231
<b>Ex Compact Scales</b>	
Viper Ex MB	232
<b>Ex Bench Platforms</b>	
PBA426x	234
PBA429x	236
PBA430x	238
PBA655x	240
Kx-T4 Line	242
<b>Ex Floor Platforms</b>	
Kx-T4 Line	244
<b>Shipping &amp; Mail Scales</b>	<b>247-253</b>
BC-15	247
BC-30	248
BC-60	249
BC-6L	251
BC-150	252
<b>Weigh Modules</b>	<b>255-293</b>
<b>Compression Weigh Modules</b>	
SWB605 PowerMount	255
SWB505 Multimount	259
0970 Redundant Ringmount	263
0970 Ringmount	262
SWC 515 Pinmount	264
SWC 615 PowerMount	267
3390 Gagemount	270
VLM3	271
SWD440	273
SWB505 Multimount	276
SWC515 Pinmount	279
<b>Tension Weigh Modules</b>	
SWS310/SLS410	283
SWS310/SLS510	284
<b>Analog Junction Boxes</b>	
Precision Junction Boxes	286
Analog Junction Boxes	288

## Automated Precision Weighing **295-323**

### High Precision Weigh Modules

WXS	295
WMC	297
WMS	299
WMF	302
WKC	303
SLP85xD	304

### Accessories

Cables	306
Connection Modules	306
Weighing Pans	307
Draft Shields	308
Fieldbus	309
Installation Parts	310
Spare Modules	311

### High Precision Bench Platforms

PBK987APW Configured	313
PBK989APW Configured	315
PFK988APW Configured	318
PFK989APW Configured	321

## Checkweighers **325-335**

IND9D57 Controller	325
9477 Weighing Conveyor	328
9477 Mach II Weighing Conveyor	331
9477 Accessories	333

## Forklift Scales **337-338**

VFS120	337
--------	-----

## Drumfilling **339-344**

## Laboratory Weighing

## Analytical Balances **345-352**

### Classic

MS-TS	345
ML-T	348
ME-T	350
ME	352

<b>Precision Balances</b>	<b>353-373</b>
<b>Excellence</b>	
XPE-S Precision	353
XPE-L Precision	356
XS-S Precision	358
XS-L Precision	362
<b>Classic</b>	
MS-TS	364
ML-T	367
ME-T	370
ME	372
PL-E	373
<b>Moisture Analyzers</b>	<b>375-379</b>
<b>Entry</b>	
HE	375
<b>Classic</b>	
HC	376
<b>Consumables</b>	
SmartCal	378
<b>Software</b>	<b>381-382</b>
<b>SQC</b>	
XP	381
Balancelink	382
<b>Printers and Peripherals</b>	<b>383</b>
Printers	383
<b>Laboratory Weights</b>	<b>385-390</b>
<b>ASTM</b>	
Class 1 and 2	385
<b>CarePacs</b>	
OIML	388
OIML 3rd Weight	389
ASTM	390
<b>Accessories</b>	<b>391-398</b>
<b>Railroad Scales</b>	<b>399-404</b>
VRS241 Railroad Scale	399
7360 Combo RAILMATE®	401
IND9R86 In-Motion Controller	402
Accessories	404

<b>Truck/Vehicle Scales</b>	<b>405-464</b>
Weighbridge Reference Tables	405
200 Series Truck Scale, Steel deck	410
100 Series Truck Scale, Steel Deck	413
7560SD TRUCKMATE™	415
7563 TRUCKMATE™	417
7566 TRUCKMATE™	420
200 Series Truck Scale, Concrete Deck	422
100 Series Truck Scale, Concrete Deck	424
VTC191 Truck Scale	426
7560CD TRUCKMATE™	428
7531 TRUCKMASTER™	430
7541 TRUCKMASTER™	432
Portability Options	434
Side Rails	435
VKR211	437
VKR211 Competitive Conversion Kits	439
VKR211 Upgrade Kits	441
VKR210	443
VKR210 Conversion Kits	444
VKR210 Upgrade Kits	446
Locating Tools, Bolts and Other Accessories	447
PDX Vehicle Scale Home Run Cables	450
Receiver Care Parts Kit	453
Installation Information	455
DataBridge SS™	458
DataBridge MS™	459
IND9U	460
Unattended Terminal Accessories	462
ORPS	463
ORPM	464



# Commercial Terminals and Indicators

## ICS4\_5 Configured



### Speed Up Production

#### Optimize Your Production Processes

The basic weighing solution optimizes your production processes in simple weighing applications.

#### Durable and Rugged

Tough enough for industrial environments with aluminum die cast housing and robust foil keypad.

#### Dust proof

Optimal for usage in dusty environment thanks to IP65 ingress protected housing.

[www.mt.com/ics-terminals](http://www.mt.com/ics-terminals)



#### Standard Features

- User Prompting
- Standard: 1 RS232 plus 1 optional field installable option: RS232, RS422/485, USB device, USB host, Ethernet, WLAN, Digital I/O
- Optional exchangeable battery
- Numeric keypad
- Graphic LCD display with backlights
- Fully Automated Calibration Technology (FACT) for MonoBloc® scale
- Die-cast aluminium housing, IP54
- Date and time
- Database (up to 100 articles)
- Counting, Over/Under Checkweighing, Totalizing
- ColorWeight® function
- Analog - Certifiable to NTEP Class III up to 6,000d MB- Certifiable to NTEP Class II up to 60,000d
- Alibi Memory
- 5 Configurable Softkeys
- 2 selectable display modes

#### Housing

Aluminum Diecast

#### Interfaces

RS232

#### Protection Rating

IP65



Model	ICS425	ICS435	ICS445	ICS465
Applications				
Color Backlit LCD display				
colorWeight®				•
Configurable soft keys			•	•
Numeric (n) / alphanumeric (a) keypad		n		n
Additional interface options	1	1	1	1
Attachable platforms	1	1	2	2

\* Maximum 2 analog, or 2 IDNet platforms respectively 1 analog plus 1 IDNet



Material Number	Material Description	Dimensions (D x H x W)	Shipping Weight	List Price (CAD)
64087988	Terminal ICS4_5	3.1 in x 9.8 in / 78 mm / 284 mm	4.6 lb	940

Base model														
I	C	S	4	2	5	S	I	ICS425 Basic Weighing						
I	C	S	4	3	5	S	I	ICS435 Basic Weighing						
I	C	S	4	4	5	C	I	ICS445 Simple Counting						
I	C	S	4	6	5	C	I	ICS465 Advanced Counting						
-	-	-	-	-	-	-	-	<b>First Scale</b>						
-	-	-	-	-	-	-	-	0	0	0	A	0	Analog	
-	-	-	-	-	-	-	-	0	0	0	J	0	Digital (SICS)	
-	-	-	-	-	-	-	-	0	0	0	I	0	IDNet	
-	-	-	-	-	-	-	-	-	-	-	-	-	<b>First+Second Interface Option</b>	
-	-	-	-	-	-	-	-	-	-	-	-	-	A 0 0 RS232 + None	
-	-	-	-	-	-	-	-	-	-	-	-	-	B 0 0 RS232 + RS232	
-	-	-	-	-	-	-	-	-	-	-	-	-	D 0 0 RS232 + RS422/485 (Dig. Scale)	
-	-	-	-	-	-	-	-	-	-	-	-	-	E 0 0 RS232 + Ethernet	
-	-	-	-	-	-	-	-	-	-	-	-	-	U 0 0 RS232 + USB Device	
-	-	-	-	-	-	-	-	-	-	-	-	-	H 0 0 RS232 + USB Host	
-	-	-	-	-	-	-	-	-	-	-	-	-	C 0 0 RS232 + Digital I/O	
-	-	-	-	-	-	-	-	-	-	-	-	-	W 0 0 RS232 + WLAN	
-	-	-	-	-	-	-	-	-	-	-	-	-	A 0 0 X RS232 + 2nd Analog Scale	
-	-	-	-	-	-	-	-	-	-	-	-	-	A 0 0 I RS232 + 2nd IDNet Scale	
-	-	-	-	-	-	-	-	-	-	-	-	-	A 0 0 Y RS232 + System Calibration	
-	-	-	-	-	-	-	-	-	-	-	-	-	<b>Power Option</b>	
-	-	-	-	-	-	-	-	-	-	-	-	-	A 120VAC, North American plug	
-	-	-	-	-	-	-	-	-	-	-	-	-	M Battery, North American plug	
-	-	-	-	-	-	-	-	-	-	-	-	-	<b>Other Option</b>	
-	-	-	-	-	-	-	-	-	-	-	-	-	2 IP54 + Alibi Memory	
-	-	-	-	-	-	-	-	-	-	-	-	-	9 Exchange Battery Pack (IP5x)	
-	-	-	-	-	-	-	-	-	-	-	-	-	B Exch. Bat. (IP5x) + Alibi Mem	
I	C	S	4		5		I	0	0	0		0		

Material Number	Material Description	Dimensions (D x H x W)	Shipping Weight	List Price (CAD)
64087988	Terminal ICS4_5	3.1 in x 9.8 in / 78 mm / 284 mm	4.6 lb	940

## ICS4\_5 Configured Options

I	C	S	4	5	I	0	0	0	0	0	0	0	0	0	0	0	0	0																									
Material Description													Order Notes	List Price (CAD)																													
<b>1 2 3 Base Model</b>																																											
Model ICS425g (Analog)													2	S	A															219													
Model ICS425s (Digital)													2	S	J																	0											
Model ICS435g (Analog)													3	S	A																		432										
Model ICS435s (Digital)													3	S	J																		219										
Model ICS445g (Analog)													4	C	A																			432									
Model ICS445s (Digital)													4	C	J																				219								
Model ICS465g (Analog)													6	C	A																				710								
Model ICS465s (Digital)													6	C	J																					487							
<b>4 5 Interfaces</b>																																											
First+Second interface RS232+Digital I/O																C	0																				383						
First+Second interface RS232+Ethernet																E	0																					650					
First+Second interface RS232+RS232																B	0																					307					
First+Second Interface RS232+RS422/485																D	0																					383					
First+Second Interface RS232+USB Device																U	0																						383				
First+Second interface RS232+USB Host																H	0																						489				
First+Second interface RS232+WLAN																W	0																						1,035				
First+Second Interface RS232+2nd A-Scale																A	X																						480				
First+Second interface RS232+2nd IDNet																A	I																							480			
1+2+3 Interf.RS232+Dig.I/O+2nd A-Scale																C	X																							860			
1+2+3 Interf.RS232+Dig.I/O+2nd IDNet																C	I																							860			
1+2+3 Interf.RS232+Ethernet+2nd A-Scale																E	X																							1,135			
1+2+3 Interf.RS232+Ethernet+2nd IDNet																E	I																							1,135			
1+2+3 Interf.RS232+USB Dev.+2nd A-Scale																U	X																								860		
1+2+3 Interf.RS232+USB Dev.+2nd IDNet																U	I																								860		
1+2+3 Interf.RS232+USB Host+2nd A-Scale																H	X																								970		
1+2+3 Interf.RS232+USB Host+2nd IDNet																H	I																								970		
1+2+3 Interf.RS232+WLAN+2nd A-Scale																W	X																								1,515		
1+2+3 Interf.RS232+WLAN+2nd IDNet																W	I																								1,515		
<b>6 Power Option</b>																																											
120VAC, North American Plug																																										0	
Battery, North American																																										0	
<b>7 Protection Option</b>																																											
Exchangeable Battery (IP5x) + Alibi Mem																																											730
Exchangeable Battery Pack (IP5x)																																											680
Alibi Memory + IP65 Protection																																											69

## ICS4\_5 Configured Accessories

Material Number	Material Description	Order Notes	List Price (CAD)
<b>Communication Cables (Straight Connector Used for ICSxx5)</b>			
22017601	Cable M12 RS232-SUB-D9P	Cable M12 RS232 Female Sub D 9 pin (crossed; used for PC). Cannot be used in conjunction with the ICS__9 f-Version	194
22017602	Cable M12 RS232-SICS Scale	M12-Sub D 9 male for connection to X-base	187
22017610	Cable M12 Ethernet-RJ45 5m	Cable M12 Ethernet RJ45; 5 m / 16 ft	229
22017604	Cable M12 USB type A 0.2m	Cable M12 USB host, 0.2 m / 0.7 ft, female	178
22017608	Cable M12 USB type A 3m	Cable M12 USB host, 3m, female	174
22017603	Cable M12 RS485/422 -open	M12 to bare ended cables	158
22018967	Cable M12 USB male type A 3m	Cable M12 USB Device 3m	191
22023696	Cable M12 RS422 SICSpro Extens. 3m	SICSpro Extension cable M12 (male) to M12 (female)	184
22018969	Cable M12 Digital I/O open 3m	Cable M12 with bare ends	157
30127057	Cable M12 RS232 3m for APR printers		199
<b>Field Install Kits</b>			
22023626	CONVKIT Analog 2nd scale ICS4x5/685		580
30254890	CONVKIT IDNet 2nd scale ICS4x5/685		505
22023620	CONVKIT RS422/485/SICSpro ICS4x5/685	Does not include cable.	467
22023619	CONVKIT RS232 ICS4x5/685	Does not include cable.	380
22023623	CONVKIT USB Host ICS4x5/685	0.2m cable included	605
22023621	CONVKIT Ethernet ICS4x5/685	5m cable included	780
22023622	CONVKIT USB Device ICS4x5/685	3m cable included	467
22023625	CONVKIT WLAN ICS4x5/685		1,240
22023624	CONVKIT Digital I/O ICS4x5/685	Does not include cable. Requires (22018969)	580
<b>Software</b>			
30092787	DatabICS Software Full License	Download from www.mt.com, then send PO with MAC ID	329
<b>Batteries</b>			
30093237	Battery (Li-Ion) pack (snap-in) ICSxx5	Spare battery	395
30254896	Field Upgrade Kit ICSxx5 Battery Li_Ion	Ni-MH battery into Li-Ion (firmware flash may be nec.)	535
<b>Charging Station</b>			
30093236	Battery Charging Station	External Battery charging station (Requires #72243747 and #72263693)	392
<b>US Power Cords- (Included with Terminal Purchase)</b>			
72243747	Powercord US,25000mm,10A,UL	North American power cord/plug for power supply, use with #72263693	53
72263693	Power Supply M12 ICSxx5	Power Supply, M12 straight, use with #72243747	205
<b>Brackets</b>			
30032637	Bracket Assy. ICSXX5 stand&wall&desk	Bracket for mounting ICSxx5 terminal to wall/column M8hole	176
<b>Columns Mild Steel</b>			
72198699	Stand Acces C.S 330mm PBA220	Column (requires wall bracket 30032637 ICSxx5) Height 330 mm / 13 in	123
<b>Miscellaneous</b>			
30032638	Protective Cover ICSXX5 5PCS	Protective cover for the weighing terminal only, set of 5 pieces	88
72262929	Wind Shield Complete	Windshield for ...XS weighing platforms	392
<b>Digital I/O</b>			
22011967	I/O relay box	Relaybox for Digital I/O option (same as 690)	615
<b>Plugs IP67* (M12 plug) * Supplied as IP67</b>			
22022059	Set USB Counter Plug (4pin,M12)	USB Counter Plug (4pin, Coding A, M12)	186
<b>Bluetooth Connectivity</b>			
30385723	ACM360-M1 Bluetooth Adaptor	Wireless alternative to cables. See pg. 75	245

# Applied Terminals and Indicators

## ICS4\_9 Configured



### Speed up Production

#### Optimize your production processes

Perfect solution for Over/Under checkweighing. Configurable terminal shows exactly what you need to know. ColorWeight function offers color settings.

#### Resist wet and harsh 24/7

All parts have been built according to the latest hygienic design guidelines supporting an easy, fast and efficient cleaning procedure.

#### Easy to operate

All you need for Over/Under checkweighing. Use the numeric keypad for changing of pre-tare values. The ColorWeight® functionality improves your throughput by providing fast and simplified changing of Over/Under parameters.

[www.mt.com/ics-terminals](http://www.mt.com/ics-terminals)



#### Standard Features

- RS232 Interface standard
- Piece counting (ICS449 & ICS469 only)
- Over/Under checkweighing (ICS449 & ICS469 only)
- Numeric keypad (ICS439 & ICS469 only)
- IP68 and IP69k Protection
- Includes basic Wall / Desktop mounting bracket
- Event and error messages
- Customizable backlight color (ICS449 & ICS469 only)
- Colorweight function (ICS449 & ICS469 only)
- Basic weighing & averaging weighing
- Backlit LCD display
- OIML Class III 3000e, NTEP 5000d, Resolutions up to 300,000d (non-approved)

#### Approvals

#### Display

#### Housing

#### Interfaces

#### Protection Rating

#### Scale

7 segment LCD with backlit  
Stainless Steel  
RS232  
IP69k; IP68; IP66  
Analog, IDNet, max. 1 scale



Model	ICS429	ICS439	ICS449	ICS469
Applications				
Color TFT display				
colorWeight®			•	•
Five configurable soft keys			•	•
Numeric (n) / alphanumeric (a) keypad		n		n
Additional interface options	1	1	1	1
Attachable platforms	1	1	2*	2*

\* Connection of a second scale to ICS449 and ICS469 is limited to SICSpro- or SICS-interface  
\*\* Maximum 2 analog, or 2 IDNet platforms respectively 1 analog plus 1 IDNet



Material Number	Material Description	Dimensions (D x H x W)	Shipping Weight	List Price (CAD)
64087984	Terminal ICS4_9	5.2 in x 4.53 in x 9.13 in / 132 mm x 115 mm x 232 mm	5.3 lb	850

Base Model															
I	C	S	4	2	9	S	ICS429 Straight Weighing								
I	C	S	4	3	9	S	ICS439 Straight Weighing								
I	C	S	4	4	9	U	ICS449 Check Weighing								
I	C	S	4	6	9	U	ICS469 Check Weighing								
Construction															
-	-	-	-	-	-	-	I	0	0	0	Terminal only				
-	-	-	-	-	-	-	J	0	0	0	Metal Keypad				
First Scale															
-	-	-	-	-	-	-	A	0	0	0	Analog				
-	-	-	-	-	-	-	I	0	0	0	IDNet				
-	-	-	-	-	-	-	J	0	0	0	Digital (SICSpro)				
First + Second Interface Option															
-	-	-	-	-	-	-	A	0	0	0	RS232 + None				
-	-	-	-	-	-	-	B	0	0	0	RS232 + RS232				
-	-	-	-	-	-	-	D	0	0	0	RS232 + RS422/485				
-	-	-	-	-	-	-	E	0	0	0	RS232 + Ethernet				
-	-	-	-	-	-	-	U	0	0	0	RS232 + USB Device				
-	-	-	-	-	-	-	H	0	0	0	RS232 + USB Host				
-	-	-	-	-	-	-	C	0	0	0	RS232 + Digital I/O				
-	-	-	-	-	-	-	W	0	0	0	RS232 + WLAN				
Power Option															
-	-	-	-	-	-	-	A	-	-	-	120VAC, North American Plug				
-	-	-	-	-	-	-	M	-	-	-	Battery, North American Plug				
Other Options															
-	-	-	-	-	-	-	8	-	-	-	IP69k Protection				
-	-	-	-	-	-	-	H	-	-	-	IP69k Protection + Alibi Memory				
I	C	S	4		9			0	0	0		0		0	

Material Number	Material Description	Dimensions (D x H x W)	Shipping Weight	List Price (CAD)
64087984	Terminal ICS4_9	5.2 in x 4.53 in x 9.13 in / 132 mm x 115 mm x 232 mm	5.3 lb	850

## ICS4\_9 Configured Options

Material Description	1	2	3	4	5	6	7	Order Notes	List Price (CDN)
<b>1 2 Base Model</b>									
ICS429g	2	S							348
ICS429i	2	S							348
ICS429s	2	S							348
ICS439g	3	S							505
ICS439i	3	S							505
ICS439s	3	S							505
ICS449g	4	U							505
ICS449i	4	U							505
ICS449s	4	U							505
ICS469g	6	U							790
ICS469i	6	U							790
ICS469s	6	U							790
<b>3 Construction</b>									
Terminal only			I						0
Metal Keypad			J						305
<b>4 First Scale</b>									
Analog				A					0
IDNet				I					0
SICSpro				J					0
<b>5 Interfaces</b>									
First+Second interface RS232+Digital I/O					C				411
First+Second interface RS232+Ethernet					E				570
First+Second interface RS232+RS232					B				332
First+Second Interface RS232+RS422/485					D				332
First+Second Interface RS232+USB Device					U				411
First+Second interface RS232+USB Host					H				489
First+Second interface RS232+WLAN					W				1,120
<b>6 Power</b>									
120VAC, North American plug						A			47
Internal battery, North American plug						M			383
<b>7 Options</b>									
IP69K Protection							8		0
IP69K + Alibi Memory							H		61

## ICS4\_9 Configured Accessories

Material Number	Material Description	Order Notes	List Price (CAD)
<b>Communication Cables (always delivered with 90° angled M12 plug for use with ICSxx9)</b>			
22021087	Cable M12-R/A RS232-male SUBD9	RS232 - cable for SICS scale X-Base (3m, 8pin M12 <-> 9pin Sub D plug male) or printer	178
22021088	Cable M12-R/A RS232-female SUBD9	RS232 - Cable for PC (3m, 8pin M12 <-> 9pin Sub D receptacle female)	184
22021090	Cable M12-R/A Ethernet-RJ45 5.0m	Ethernet 10/100 Base T twisted pair cable (5m, 4pin M12 Coding D <-> RJ45)	152
22021091	Cable M12-R/A Ethernet-RJ45 20.0m	Ethernet 10/100 Base T twisted pair cable (20m, 4pin M12 Coding D <-> RJ45)	271
30220582	Cable M12 USB Female Type A 0.2m	Cable M12 USB Host 0.2m	188
22021092	Cable M12-R/A USB Male Typ A 3.0m	USB Device Cable M12 male, Type A for connection to PC	155
22021089	Cable M12-R/A RS422/485-Open Ends	RS422/RS485 - Cable (3m, 6pin M12 <-> open end)	135
22021093	Cable M12-R/S Digital I/O-Open Ends	Cable to connect Digital I/O option with Relaybox (10m, 12pin M12 <-> open ends)	287
<b>Field Install Kits</b>			
72243265	KOP, 2nd Analog Scale Card ICSxx9	Do not use with column version	402
72243266	1xIDNet ICS4x9/6x9	Table or Front Mount.	487
30254893	KOP,SICS Pro,ICSXX9,T OR F (1st Scale)	Table or Front Mount. SICSpro 1st Scale	376
64086208	KOP,RS422/485,C,ICS4X9 SICSpro 2nd Sc	Column Only. Cable not included.	560
64086203	KOP,RS422/485,T,ICS4X9 SICSpro 2nd Sc	Table or Front Mount. Cable not included.	424
64086206	KOP,RS232,C,ICS4X9	Column only. Cable not included.	560
64086201	KOP,RS232,T,ICS4X9,ICS6X9	Table or Front Mount. Cable not included.	424
64086210	KOP,ETHERNET,C,ICS4X9	Column only. Includes 5m cable RJ45.	875
64086205	KOP,ETHERNET,T,ICS4X9	Table or Front Mount. Includes 5m cable RJ45.	720
30254894	KOP,USB Host,ICS4X9,H Column	Column Only. USBHost. .2m cable included (female)	690
30254892	KOP,USB Host,ICSXX9,T OR F	Table or Front Mount. USBHost. .2m cable included (female)	690
64086352	KOP, WLAN, ICSxx9, T/F	Table or Front Mount.	1,185
64086353	KOP, WLAN, ICSxx9, C	Column Only.	1215
64086209	KOP, USB Device-C	Column Only. USB Device. Includes 3m cable (male) typ A	605
64086204	KOP, USB Device-ICSxx9 T/F	Table or Front. USB Device. Includes 3m cable (male) typ A	434
64086207	KOP,DIGITAL I/O,C,ICS4X9	Column Only. Cable not included.	650
64086202	KOP,DIGITAL I/O,T,ICSxx9	Table or Front Mount. Cable not included.	455
<b>Software</b>			
30092787	DatablCS Software Full License	Download from www.mt.com, then send PO with MAC ID	329
<b>Stainless Steel Columns</b>			
72198702	Stand Acces S.S 330mm PBA220	Column 13" SS Open Back	171
72198703	Stand Acces S.S 660mm PBA220	Column 26" SS Open Back	195
72198704	Stand Acces S.S 900mm PBA220	Column 35.5" SS Open Back	205
<b>Mounting Brackets- Only necessary if changing from T to F or vice versa. T versions come with standard U bracket.</b>			
72243269	Table stand ICS4x9/6x9	Table Mounting Stand for ICSxx9 (M8 Hole)	98
72243270	Fix stand ICS4x9	Bracket for 4x9 front mounting	96
72249701	Fix stand ICS6x9	Bracket for 6x9 front mounting	98
<b>Stainless Steel Accessories</b>			
22021109	Protective Cover Terminals ICS4x9	Protective Cover for Terminals ICS4_9 (Set of 5 pieces)	83
<b>Digital I/O</b>			
22011967	Relais box Interface 4 IND690	Relaybox for Digital I/O option (same as for IND690)	615
<b>Bluetooth Connectivity</b>			
30385723	ACM360-M1 Bluetooth Adaptor	Wireless alternative to cables. See pg. 75	245



# Applied Terminals and Indicators

## ICS685 Configured



### Highly Accurate Results

#### Efficient Weighing Procedures

The ICS685 solution stands for total flexibility. Benefit from its wide range of applications, easy user management and powerful internal database.

#### Durable and Rugged

Tough enough for use in industrial environments with aluminum die cast housing and robust foil keypad.

#### Dust proof

Optimal for usage in dusty environment thanks to IP65 ingress protected housing.

[www.mt.com/ICS685-Terminals](http://www.mt.com/ICS685-Terminals)



**Housing** Aluminum Diecast

**Interfaces** RS232

**Protection Rating** IP65

**Standard Features**

- User Prompting
- User management function
- Temperature check function
- Statistics software
- Software to administer/manage database
- Scale embedded database (up to 30,000 articles)
- Routine tests: calibration checks, linearity, corner load test
- Optional exchangeable battery
- Numeric keypad
- Hardkeys can be deactivated to prevent incorrect key press
- Fully Automated Calibration Technology (FACT) for monoBloc Scales
- Date and time
- Counting, Over/Under Checkweighing, Totalizing
- ColorWeight® function
- Color TFT Display (320 x 240 pixels)
- Alibi Memory/Transaction memory
- 5 Configurable Soffkeys
- 2 selectable display modes

Material Number	Material Description	Dimensions (D x H x W)	Shipping Weight	List Price (CAD)
64087989	Terminal ICS685	3.1 in x 9.8 in / 78 mm x 284 mm	5.3 lb	2,440

Base model														
I	C	S	6	8	5	M	I	ICS685 Multi Functional						
-	-	-	-	-	-	-	-	0	0	0	A	0	Analog	
-	-	-	-	-	-	-	-	0	0	0	J	0	Digital (SICS)	
-	-	-	-	-	-	-	-	0	0	0	I	0	IDNet	
-	-	-	-	-	-	-	-	-	-	-	-	-	<b>First+Second Interface Option</b>	
-	-	-	-	-	-	-	-	-	-	-	-	-	A RS232 + None	
-	-	-	-	-	-	-	-	-	-	-	-	-	B RS232 + RS232	
-	-	-	-	-	-	-	-	-	-	-	-	-	D RS232 + RS422/485 (Dig. Scale)	
-	-	-	-	-	-	-	-	-	-	-	-	-	U RS232 + USB Device	
-	-	-	-	-	-	-	-	-	-	-	-	-	H RS232 + USB Host	
-	-	-	-	-	-	-	-	-	-	-	-	-	C RS232 + Digital I/O	
-	-	-	-	-	-	-	-	-	-	-	-	-	<b>Third Interface Option</b>	
-	-	-	-	-	-	-	-	-	-	-	-	-	0 No Option	
-	-	-	-	-	-	-	-	-	-	-	-	-	B RS232	
-	-	-	-	-	-	-	-	-	-	-	-	-	D RS422/485 (Dig. Scale)	
-	-	-	-	-	-	-	-	-	-	-	-	-	U USB Device	
-	-	-	-	-	-	-	-	-	-	-	-	-	E Ethernet	
-	-	-	-	-	-	-	-	-	-	-	-	-	W WLAN	
-	-	-	-	-	-	-	-	-	-	-	-	-	<b>Fourth Interface Option</b>	
-	-	-	-	-	-	-	-	-	-	-	-	-	0 No Option	
-	-	-	-	-	-	-	-	-	-	-	-	-	B RS232	
-	-	-	-	-	-	-	-	-	-	-	-	-	D RS422/485 (Dig. Scale)	
-	-	-	-	-	-	-	-	-	-	-	-	-	H USB Host	
-	-	-	-	-	-	-	-	-	-	-	-	-	X 2nd Analog Scale	
-	-	-	-	-	-	-	-	-	-	-	-	-	I 2nd IDNet Scale	
-	-	-	-	-	-	-	-	-	-	-	-	-	<b>Power Option</b>	
-	-	-	-	-	-	-	-	-	-	-	-	-	A 120VAC, North American plug	
-	-	-	-	-	-	-	-	-	-	-	-	-	K 220VAC, BR plug	
-	-	-	-	-	-	-	-	-	-	-	-	-	M Battery, North American plug	
-	-	-	-	-	-	-	-	-	-	-	-	-	2 Battery, BR plug	
-	-	-	-	-	-	-	-	-	-	-	-	-	<b>Other Option</b>	
-	-	-	-	-	-	-	-	-	-	-	-	-	4 IP65 + Alibi Memory	
-	-	-	-	-	-	-	-	-	-	-	-	-	B Exch. Bat. (IP5x) + Alibi Mem	
-	-	-	-	-	-	-	-	-	-	-	-	-	C Built in Bat.(IP65)+ Alibi Mem	
I	C	S	6	8	5	M	I	0	0	0				

Material Number	Material Description	Dimensions (D x H x W)	Shipping Weight	List Price (CAD)
64087989	Terminal ICS685	3.1 in x 9.8 in / 78 mm x 284 mm	5.3 lb	2,440

## ICS6\_5 Configured Options

I	C	S	6	8	5	M	I	0	0	0	0									
Material Description							1	2	3	4	5	6	Order Notes	List Price (CAD)						
<b>1 Base Model</b>																				
Model ICS685g (Analog)							A												220	
Model ICS685s (SICSPPro)							J												0	
<b>2 First+Second Interface</b>																				
First+Second Interface RS232+Digital I/O								C											383	
First+Second Interface RS232+RS232								B											295	
First+Second Interface RS232+RS422/485								D											383	
First+Second Interface RS232+USB Device								U											383	
First+Second Interface RS232+USB Host								H											489	
<b>3 Third Interface</b>																				
Third Interface Ethernet										E									650	
Third Interface RS232										B									307	
Third Interface RS422/485										D									383	
Third Interface WLAN										W									1,035	
<b>4 Fourth Interface</b>																				
Fourth Interface 2nd Analog Scale											X								480	
Fourth Interface RS232											B								307	
Fourth Interface RS422/485											D								383	
Fourth Interface USB Host											H								489	
<b>5 Power</b>																				
120VAC, North American Plug												A							0	
Internal Battery, North American Plug												M							0	
<b>6 Option</b>																				
Exchangeable Battery (IP5x) + Alibi Mem													B							730

## ICS685 Configured Accessories

Material Number	Material Description	Order Notes	List Price (CAD)
<b>Communication Cables (Straight Connector Used for ICSxx5)</b>			
22017601	Cable M12 RS232-SUB-D9P	Cable M12 RS232 Female Sub D 9 pin (crossed; used for PC). Cannot be used in conjunction with the ICS__9 f-Version	194
22017602	Cable M12 RS232-SICS Scale	M12-Sub D 9 male for connection to X-base	187
22017610	Cable M12 Ethernet-RJ45 5m	Cable M12 Ethernet RJ45; 5 m / 16 ft	229
22017604	Cable M12 USB type A 0.2m	Cable M12 USB host, 0.2 m / 0.7 ft, female	178
22017608	Cable M12 USB type A 3m	Cable M12 USB host, 3m, female	174
22017603	Cable M12 RS485/422 -open	M12 to bare ended cables	158
22018967	Cable M12 USB male type A 3m	Cable M12 USB Device 3m	191
22023696	Cable M12 RS422 SICSpro Extens. 3m	SICSpro Extension cable M12 (male) to M12 (female)	184
22018969	Cable M12 Digital I/O open 3m	Cable M12 with bare ends	157
30127057	Cable M12 RS232 3m for APR Printers		199
<b>Field Install Kits</b>			
22023626	CONVKIT Analog 2nd scale ICS4x5/685		580
30254890	CONVKIT IDNet 2nd scale ICS4x5/685		505
22023620	CONVKIT RS422/485/SICSpro ICS4x5/685	Does not include cable.	467
22023619	CONVKIT RS232 ICS4x5/685	Does not include cable.	380
22023623	CONVKIT USB Host ICS4x5/685	0.2m cable included	605
22023621	CONVKIT Ethernet ICS4x5/685	5m cable included	780
22023622	CONVKIT USB Device ICS4x5/685	3m cable included	467
22023625	CONVKIT WLAN ICS4x5/685		1,240
22023624	CONVKIT Digital I/O ICS4x5/685	Does not include cable. Requires (22018969)	580
<b>Software</b>			
30092787	DatabICS Software Full License	Download from www.mt.com, then send PO with MAC ID	329
<b>Batteries</b>			
30093237	Battery (Li-Ion) pack (snap-in) ICSxx5	Spare battery	395
30254896	Field Upgrade Kit ICSxx5 Battery Li_Ion	Ni-MH battery into Li-Ion (firmware flash may be nec.)	535
<b>Charging Station</b>			
30093236	Battery Charging Station	External Battery charging station (Requires #72243747 and #72263693)	392
<b>US Power Cords</b>			
72243747	Powercord US,25000mm,10A,UL	North American power cord/plug for power supply, use with #72263693	53
72263693	Power Supply M12 ICSxx5	Power Supply, M12 straight, use with #72243747	205
<b>Brackets</b>			
30032637	Bracket Assy. ICSXX5 stand&wall&desk	Bracket for mounting ICSxx5 terminal to wall/column M8hole	176
<b>Columns Mild Steel</b>			
72198699	Stand Acces C.S 330mm PBA220	Column (requires wall bracket 30032637 ICSxx5) Height 330 mm / 13 in	123
<b>Miscellaneous</b>			
30032638	Protective Cover ICSXX5 5PCS	Protective cover for the weighing terminal only, set of 5 pieces	88
72262929	Wind Shield Complete	Windshield for ...XS weighing platforms	392
<b>Digital I/O</b>			
22011967	I/O relay box	Relaybox for Digital I/O option (same as 690)	615
<b>Plugs IP67* (M12 plug) * Supplied as IP67</b>			
22022059	Set USB Counter Plug (4pin,M12)	USB Counter Plug (4pin, Coding A, M12)	186
<b>Bluetooth Connectivity</b>			
30385723	ACM360-M1 Bluetooth Adaptor	Wireless alternative to cables. See pg. 75	245

# Applied Terminals and Indicators

## ICS689 Configured

IP66 IP68 IP69k

### Excellent Results

#### Efficient Weighing

The graphic TFT screen indicates the status during basic, checkweighing & classifying applications while the tough piezo keypad withstands harsh industrial use.

#### Track and trace your results

Cover all requirements of your customer/regulatory body - possible with our user management, alibi memory, routine test and calibration log feature.

#### Comfortable Manual Operation

METTLER TOLEDO's colorWeight® technology ensures improved throughput when checkweighing or classifying, which is checkweighing within multiple weight ranges.

[www.mt.com/ics-terminals](http://www.mt.com/ics-terminals)



<b>Display</b>	Color TFT screen
<b>Housing</b>	Stainless Steel
<b>Interfaces</b>	RS232, RS422/485, Ethernet, WLAN, USB Host, USB Device
<b>Protection Rating</b>	IP69k
<b>Scale</b>	SICS; max. 4 scales; IDNet; Analog; SICSpro; X-Base (RS232)
<b>Features</b>	<ul style="list-style-type: none"> <li>• User Prompting</li> <li>• User management function</li> <li>• Double sealed terminals with IP69K protection</li> <li>• Alibi memory to assure compliance</li> <li>• Statistics software</li> <li>• Software to administer/manage database</li> <li>• Scale embedded database (up to 30,000 articles with DataBICS)</li> <li>• Long lasting piezo Alphanumeric keypad and 5 soft keys</li> <li>• Optional battery, WLAN, USB Host, USB Device, Ethernet interfaces</li> <li>• "C" versions include 2.5m/8.2ft cable</li> <li>• Hardkeys can be deactivated to prevent incorrect key press</li> <li>• Counting, Over/Under Checkweighing, Totalizing, and classifying</li> <li>• ColorWeight® function</li> <li>• Color TFT Display (320 x 240 pixels)</li> <li>• 5 Configurable Softkeys</li> <li>• Selectable display modes, as well as event &amp; error message</li> </ul>



Material Number	Material Description	Dimensions (D x H x W)	Shipping Weight	List Price (CAD)
30240603	Weighing Terminal ICS689	4.49 in x 6.69 in x 10.24 in / 114 mm x 170 mm x 260 mm	5.3 lb	2,010

Base Model																					
I	C	S	6	8	9	M	ICS689 Multi Functional														
-	-	-	-	-	-	-	ICS689 Remote														
-	-	-	-	-	-	-	Construction														
-	-	-	-	-	-	-	I	0	0	0	Terminal only										
-	-	-	-	-	-	-	J	0	0	0	Metal Keypad										
-	-	-	-	-	-	-	-	-	-	-	First Scale										
-	-	-	-	-	-	-	-	-	-	-	A	0	Analog								
-	-	-	-	-	-	-	-	-	-	-	I	0	IDNet								
-	-	-	-	-	-	-	-	-	-	-	J	0	SICspro								
-	-	-	-	-	-	-	-	-	-	-	-	-	First + Second Interface Option								
-	-	-	-	-	-	-	-	-	-	-	-	-	A	RS232 + None							
-	-	-	-	-	-	-	-	-	-	-	-	-	B	RS232 + RS232							
-	-	-	-	-	-	-	-	-	-	-	-	-	D	RS232 + RS422/485							
-	-	-	-	-	-	-	-	-	-	-	-	-	U	RS232 + USB Device							
-	-	-	-	-	-	-	-	-	-	-	-	-	H	RS232 + USB Host							
-	-	-	-	-	-	-	-	-	-	-	-	-	C	RS232 + Digital I/O							
-	-	-	-	-	-	-	-	-	-	-	-	-	Third Interface Option								
-	-	-	-	-	-	-	-	-	-	-	-	-	O	None							
-	-	-	-	-	-	-	-	-	-	-	-	-	B	RS232							
-	-	-	-	-	-	-	-	-	-	-	-	-	D	RS422/485							
-	-	-	-	-	-	-	-	-	-	-	-	-	E	Ethernet							
-	-	-	-	-	-	-	-	-	-	-	-	-	W	WLAN							
-	-	-	-	-	-	-	-	-	-	-	-	-	U	USB Device							
-	-	-	-	-	-	-	-	-	-	-	-	-	Fourth Interface								
-	-	-	-	-	-	-	-	-	-	-	-	-	O	None							
-	-	-	-	-	-	-	-	-	-	-	-	-	B	RS232							
-	-	-	-	-	-	-	-	-	-	-	-	-	D	RS422/485							
-	-	-	-	-	-	-	-	-	-	-	-	-	H	USB Host							
-	-	-	-	-	-	-	-	-	-	-	-	-	X	2nd Analog Scale							
-	-	-	-	-	-	-	-	-	-	-	-	-	I	2nd IDNet Scale							
-	-	-	-	-	-	-	-	-	-	-	-	-	Power Option								
-	-	-	-	-	-	-	-	-	-	-	-	-	A	8	120VAC, North American Plug						
-	-	-	-	-	-	-	-	-	-	-	-	-	K	8	220VAC, BR Plug						
-	-	-	-	-	-	-	-	-	-	-	-	-	M	8	Battery, North American Plug						
-	-	-	-	-	-	-	-	-	-	-	-	-	2	8	Battery, BR Plug						
I	C	S	6	8	9		I	0	0	0		0								8	

Material Number	Material Description	Dimensions (D x H x W)	Shipping Weight	List Price (CAD)
30240603	Weighing Terminal ICS689	4.49 in x 6.69 in x 10.24 in / 114 mm x 170 mm x 260 mm	5.3 lb	2,010

## ICS689 Configured Options

Material Description	1	2	3	4	5	6	7	Order Notes	List Price (CAD)
<b>1 Base Model</b>									
ICS689g	M								364
ICS689g- rem	R								790
<b>2 Construction</b>									
Terminal only		I							0
Metal Keypad		J							305
<b>3 Scale Interface</b>									
First scale Interface Analog			A						0
First scale Interface IDNet			I						0
First scale Interface SICSpro			J						0
<b>4 First+Second Interface</b>									
First+Second interface RS232+none			A						0
First+Second interface RS232+RS232			B						304
First+Second Interface RS232+RS422/485			D						304
First+Second interface RS232+ USB Device			U						411
First+Second interface RS232+USB Host			H						489
First+Second interface RS232+Digital I/O			C						411
<b>5 Third Interface</b>									
Third interface Ethernet				E					590
Third Interface RS232				B					304
Third Interface RS422/485				D					304
Third interface USB Device				U					411
Third interface WLAN				W					1,120
<b>6 Fourth Interface</b>									
Fourth interface 2nd Analog Scale					X				348
Fourth interface 2nd IDNet Scale					I				348
Fourth interface RS232					B				304
Fourth interface RS422/485 (Dig Scale)					D				304
Fourth interface USB Host					H				489
<b>7 Power</b>									
120VAC, North American plug						A			47
Internal battery, North American plug						M			383

## ICS689 Configured Accessories

Material Number	Material Description	Order Notes	List Price (CAD)
<b>Communication Cables (always delivered with 90° angled M12 plug for use with ICSxx9)</b>			
22021087	Cable M12-R/A RS232-male SUBD9	RS232 - cable for SICS scale X-Base (3m, 8pin M12 <-> 9pin Sub D plug male) or printer	178
22021088	Cable M12-R/A RS232-female SUBD9	RS232 - Cable for PC (3m, 8pin M12 <-> 9pin Sub D receptacle female)	184
22021090	Cable M12-R/A Ethernet-RJ45 5.0m	Ethernet 10/100 Base T twisted pair cable (5m, 4pin M12 Coding D <-> RJ45)	152
22021091	Cable M12-R/A Ethernet-RJ45 20.0m	Ethernet 10/100 Base T twisted pair cable (20m, 4pin M12 Coding D <-> RJ45)	271
30220582	Cable M12 USB Female Type A 0.2m	Cable M12 USB Host 0.2m	188
22021092	Cable M12-R/A USB Male Typ A 3.0m	USB Device Cable M12 male, Type A for connection to PC	155
22021089	Cable M12-R/A RS422/485-Open Ends	RS422/RS485 - Cable (3m, 6pin M12 <-> open end)	135
22021093	Cable M12-R/S Digital I/O-Open Ends	Cable to connect Digital I/O option with Relaybox (10m, 12pin M12 <-> open ends)	287
<b>Field Install Kits</b>			
72243265	KOP, 2nd Analog Scale Card ICSxx9	Do not use with column version	402
72243266	1xIDNet ICS4x9/6x9	Table or Front Mount.	387
30254893	KOP,SICS Pro,ICSXX9,T OR F (1st Scale)	Table or Front Mount. SICSpro 1st Scale	376
64086208	KOP,RS422/485,C,ICS4X9 SICSpro 2nd Sc	Column Only. Cable not included.	560
64086203	KOP,RS422/485,T,ICS4X9 SICSpro 2nd Sc	Table or Front Mount. Cable not included.	424
64086206	KOP,RS232,C,ICS4X9	Column only. Cable not included.	560
64086201	KOP,RS232,T,ICS4X9,ICS6X9	Table or Front Mount. Cable not included.	424
64086210	KOP,ETHERNET,C,ICS4X9	Column only. Includes 5m cable RJ45.	875
64086205	KOP,ETHERNET,T,ICS4X9	Table or Front Mount. Includes 5m cable RJ45.	720
30254894	KOP,USB Host,ICS4X9,H Column	Column Only. USBHost. .2m cable included (female)	690
30254892	KOP,USB Host,ICSXX9,T OR F	Table or Front Mount. USBHost. .2m cable included (female)	690
64086352	KOP, WLAN, ICSxx9, T/F	Table or Front Mount.	1,185
64086353	KOP, WLAN, ICSxx9, C	Column Only.	1,215
64086209	KOP, USB Device-C	Column Only. USB Device. Includes 3m cable (male) typ A	605
64086204	KOP, USB Device-ICSxx9 T/F	Table or Front. USB Device. Includes 3m cable (male) typ A	434
64086207	KOP,DIGITAL I/O,C,ICS4X9	Column Only. Cable not included.	650
64086202	KOP,DIGITAL I/O,T,ICSxx9	Table or Front Mount. Cable not included.	455
<b>Software</b>			
30092787	DatablCS Software Full License	Download from www.mt.com, then send PO with MAC ID	329
<b>Stainless Steel Columns</b>			
72198702	Stand Acces S.S 330mm PBA220	Column 13" SS Open Back	170
72198703	Stand Acces S.S 660mm PBA220	Column 26" SS Open Back	195
72198704	Stand Acces S.S 900mm PBA220	Column 35.5" SS Open Back	205
<b>Mounting Brackets- Only necessary if changing from T to F or vice versa. T versions come with standard U bracket.</b>			
72243269	Table stand ICS4x9/6x9	Table Mounting Stand for ICSxx9 (M8 Hole)	98
72243270	Fix stand ICS4x9	Bracket for 4x9 front mounting	96
72249701	Fix stand ICS6x9	Bracket for 689 front mounting	98
<b>Stainless Steel Accessories</b>			
22021109	Protective Cover Terminals ICS4x9	Protective Cover for Terminals ICS4_9 (Set of 5 pieces)	83
<b>Digital I/O</b>			
22011967	Relais box Interface 4 IND690	Relaybox for Digital I/O option (same as for IND690)	615
<b>Bluetooth Connectivity</b>			
30385723	ACM360-M1 Bluetooth Adaptor	Wireless alternative to cables. See pg. 75	245



Material Number	Material Description	Order Notes	List Price (CAD)
<b>Plugs IP67* (M12 plug) * Supplied as IP67</b>			
22022056	3et RS232 Counter Plug (8pin,M12)	RS232 Counter Plug (8pin, M12)	215
22022058	Set ETH Counter Plug (4pin,M12)	Ethernet Counter Plug (4pin, Coding D, M12)	167
22022059	Set USB Counter Plug (4pin,M12)	USB Counter Plug (4pin, Coding A, M12)	186
<b>US Power Cords- Included with Terminal Purchase</b>			
72243747	Powercord US,25000mm,10A,UL	North American power cord/plug for power supply, use with #72263693	53
72263693	Power Supply M12 ICSxx5	Power Supply, M12 straight, use with #72243747	205

# Commercial Terminals and Indicators

## ACT350



### Accurate Weighing Made Fast

#### High-Speed PLC Connectivity

ACT350 allows for high-speed PLC updates of up to 600Hz filtered values at full accuracy. It is ideal for filling, sorting, fast batching processes.

#### Easy Setup and Monitoring

Front display, status LED and keypad allow monitoring and quick setup of the unit without the need for complicated software tools.

#### Economic Installation/Calibration

Compact DIN-Rail housing saves cabinet space. ACT350 supports test-weight free calibration CalFree™, which is suitable for many applications.

[www.mt.com/ind-ACT350](http://www.mt.com/ind-ACT350)

Material Number	Material Description	Interfaces	Scale	Voltage	Dimensions (W x H)	List Price (CAD)
30076690	Weigh Transm ETIP R35000D1000S0E0030	4 button; Ethernet / IP; OLED	Analog, max. 1 scale	12-30VDC	1.6 in x 4.3 in x 40 mm / 110 mm	1,225
30076688	Weigh Transm PBDP R35000D100000P0030	4 button; OLED; PROFIBUS DP				1,225
30076689	Weigh Transm PRNT R35000D1000S0T0030	4 button; OLED; ProfiNet				1,225

### ACT350 Accessories

Material Number	Material Description	Order Notes	List Price (CAD)
30232356	Connectors Spare Kit ACT350		75
64090848	PWR SUP, 24 V, 60 W, DIN MOUNT	Can power up to (5) ACT350 modules	705

# Commercial Terminals and Indicators

## IND231/236

IP54 IP66 IP67

### Cost-effective and reliable

#### Features for Easy Use

Intuitive icons provide indication of operational status and 40mm weight display with backlight provides readability under varying light conditions.

#### Common Weighing Applications Included

Includes checkweighing, counting, animal weighing and weight accumulation applications. Pre-defined print templates provide a transaction record.

#### Multiple Connectivity Capabilities

In addition to one standard RS232 port, additional connectivity can be added with RS232/RS422/RS485; USB device; or Discrete I/O.

[www.mt.com/ind231-ind236](http://www.mt.com/ind231-ind236)



**Protection Rating** IP54; IP67  
**Mounting** Mounting bracket included  
**Scale** max. 1 scale; Analog



Material Number	Description	Housing	Protection Rating	Voltage	Shipping Weight	List Price (CAD)
30079952	Standard RS232 Only	Stainless Steel	IP67	120VAC only	5.1 lbs	1,135
30079953	Standard RS232 + RS232/422/485					1,390
30079954	Standard RS232 + USB Device					1,390
30079955	Standard RS232 + Digital I/O					1,435
30079956	Standard RS232 Only			120VAC; Ni-MH rechargeable battery (Internal)		1,375
30079957	Standard RS232 + RS232/422/485					1,595
30079958	Standard RS232 + USB Device					1,595
30079959	Standard RS232 Digital I/O					1,635



Material Number	Description	Housing	Protection Rating	Voltage	Shipping Weight	List Price (CAD)
30079944	Standard RS232 Only	Plastic	IP54	120VAC; AA Batteries	3.8 lbs	960
30079945	Standard RS232 + RS232/422/485					1,205
30079946	Standard RS232 + USB Device					1,205
30079947	Standard RS232 + Digital I/O					1,240
30079948	Standard RS232 Only			120VAC; Ni-MH rechargeable battery (Internal)		1,215
30079949	Standard RS232 + RS232/422/485					1,465
30079950	Standard RS232 + USB Device					1,465
30079951	Standard RS232 Digital I/O					1,505

## IND231/236 Accessories

Material Number	Material Description	Order Notes	List Price (CAD)
<b>Accessory</b>			
30083915	Kit,Digital I/O,IND23x		301
30083916	Kit,Isolated RS232_422_485,IND23x		274
30083914	Kit,USB Device,IND23x	Option Board USB Device	248
<b>Brackets</b>			
30084560	IND231 wall/column bracket		87
72255840	IND236 wall/column bracket		45
22021070	Desk Mount Bracket		144
<b>Batteries</b>			
30044650	Battery 6x5#NiMH 2250mAH 7.2V IND23x	Battery Pack Only	179
30079943	Ni-MH Rechargeable Battery Kits IND23x	Kit includes: Battery Pack, Charging board, & mount	call
<b>Cables</b>			
30061274	Cables,Mini USB,USB Device,IND23x		26
<b>Covers</b>			
30085327	Protection Cover 5Pcs IND231		call
30083487	Protection Cover 5Pcs IND236		call
<b>Bluetooth Connectivity</b>			
30385723	ACM360-M1 Bluetooth Adaptor	Wireless alternative to cables. See pg. 75	245

# Commercial Terminals and Indicators

## IND246 Configured



### IND246 Transaction Terminal

#### One terminal - Multiple applications

The IND246 terminal includes basic weighing, animal weighing, checkweighing, counting, peak weight measurement and vehicle weighing applications.

#### Vivid and prominent weight display

The transreflective backlit graphic LCD display is well-suited for indoor or outdoor operation with easy viewing from as far as 30'/10m away

#### Explicit operator prompts

Explicit operator prompting reduces time to train operators while increasing productivity via error-free operation

[www.mt.com/ind246](http://www.mt.com/ind246)

#### Standard Features

- Weight Display: Standard mode, 27 mm
- Single RS232 Serial Port
- IP66 Stainless Steel Enclosure
- Fixed Wall Bracket Included
- Battery Version Supports Up To 4 350Ω load cells
- Application mode, 22 mm
- AC Version Supports up to 10 350Ω load cells

#### Approvals

- NTEP Class III/IIIL, 10,000d/2x5000d, COC #11-040
- Measurement Canada: Class III 10,000d, Class III HD 20,000d, #AM-5819

#### Accessories

- SOFTWARE APPLICATION MODES: Animal Weighing, Counting Software built-in, Peak Weight, Vehicle, Over/Under checkweighing software built-in

#### Protection Rating

IP66

#### Scale

max. 1 scale; Analog



Material Number	Material Description	Dimensions (D x H x W)	Shipping Weight	List Price (CAD)
64087995	Weighing Terminal IND246	6.5 in x 6.5 in x 5.75 in / 165 mm x 165 mm x 146 mm	7.2 lbs	1,375

Base model													
2	4	6	H	1	IND246 Harsh, Analog								
-	-	-	-	-	<b>Power</b>								
-	-	-	-	-	0	AC 10V Excitation							
-	-	-	-	-	1	DC 5V Excitation							
-	-	-	-	-	<b>Reserved</b>								
-	-	-	-	-	0	None							
-	-	-	-	-	<b>Connectivity</b>								
-	-	-	-	-	0	No Option							
-	-	-	-	-	1	Ethernet TCP/IP							
-	-	-	-	-	<b>Communication 1</b>								
-	-	-	-	-	0	No Option							
-	-	-	-	-	1	1 Serial							
-	-	-	-	-	2	1 Serial, 2/4 I/O Relays							
-	-	-	-	-	3	USB							
-	-	-	-	-	4	USB, 2/4 I/O Relays							
-	-	-	-	-	<b>Memory Option</b>								
-	-	-	-	-	1	SD Memory Card							
-	-	-	-	-	<b>Application Software</b>								
-	-	-	-	-	0	Standard Firmware							
-	-	-	-	-	<b>Reserved</b>								
-	-	-	-	-	0	None							
-	-	-	-	-	<b>Power Option</b>								
-	-	-	-	-	2	Internal Battery							
-	-	-	-	-	A	120VAC, US Plug							
-	-	-	-	-	B	230VAC, Schuko Plug							
-	-	-	-	-	<b>Market Option</b>								
-	-	-	-	-	0	0	Global						
2	4	6	H	1	0	1	0	0	0	0	0	0	0

## IND246 Configured Options

2	4	6	H	1	0	1	0	0	0	0	
<b>Material Description</b>										<b>List Price (CAD)</b>	
<b>1 Power</b>											
AC - 10V Excitation Isolated Serial Port					0			AC Powered Option			0
DC - 5V Excitation Isolated Serial Port					1			Battery Powered Option - Charger not included			183
<b>2 Connectivity</b>											
No Option						0					0
Ethernet TCP/IP						1					435
<b>3 Communication 1</b>											
None						0					0
1 Serial (RS232/485)						1					301
1 Serial (RS232/485), 2 In / 4 Out, Dry						2					364
USB						3		USB Device		301	
USB, 2 In / 4 Out, Dry Contact Relays						4		USB Device		364	
<b>4 Power Option</b>											
Internal Battery								1			0
120VAC, US Plug								A			0
230VAC, Schuko Plug								B			0

## IND246 Configured Accessories

Material Number	Material Description	Order Notes	List Price (CAD)
<b>Batteries</b>			
72257854	Battery Pack Kit,IND246	Needs charger #72264020	331
72264020	Charger(US) IND246		167
<b>Brackets</b>			
72204997	Bracket IND246 SS	Tilt / Swivel Bracket	129
<b>Cables</b>			
71211075	Cable USB PS60		82
<b>Option Kits</b>			
72257451	USB+DIO Option Kit IND246	USB Device Serial interface & 2/4 I/O	396
72257448	COM2 Option Kit IND246	1 additional RS232-485 port	328
72257449	COM2+DIO Option Kit IND246	1 additional RS232-485 port & 2/4 I/O	396
72257447	Ethernet Option Kit IND246		473
72257450	USB Option Kit IND246	USB Device Serial Data Interface	328
<b>Miscellaneous</b>			
72229289	SD Memory Card IND331/131	SD Memory Card	51
<b>Bluetooth Connectivity</b>			
30385723	ACM360-M1 Bluetooth Adaptor	Wireless alternative to cables. See pg. 75	245

# Commercial Terminals and Indicators

## IND246 POWERCELL



### IND246 POWERCELL Terminal

**One terminal - Multiple applications**

The IND246 terminal includes basic weighing, animal weighing, checkweighing, counting, peak weight measurement and vehicle weighing applications.

**Increased uptime**

Performance Logs record each load cell's performance parameters at user set frequency to help monitor overall scale performance

**Vivid and prominent weight display**

The transreflective backlit graphic LCD display is well-suited for indoor or outdoor operation with easy viewing from as far as 30'/10m away

[www.mt.com/IND246](http://www.mt.com/IND246)



**Standard Features**

- Weight Display: Standard Mode, 27mm
- Weight Display: Application Mode, 22mm
- Supports up to 12 PDX load cells
- Single RS232 Serial Port
- IP66 Stainless Steel Enclosure
- 9 function keys, 4 navigation keys, 12-key alphanumeric keypad
- NTEP Class III/IIIL, 10,000d/2x5000d, COC #11-040
- Measurement Canada: Class III 10,000d, Class III HD 20,000d, #AM-5819

**Approvals**

**Protection Rating**  
**Load Cell**

IP66  
Up to 12; POWERCELL PDX; POWERCELL GDD

Material Number	Material Description	Interfaces	Memory	List Price (CAD)
30085700	Weigh Term 246H600000000000	RS232		1,415
30085690	Weigh Term 246H600001000000		SD Card	1,455
30085701	Weigh Term 246H600010000000	RS232+RS232/422/485		1,725
30085691	Weigh Term 246H600011000000		SD Card	1,775
30085703	Weigh Term 246H600030000000	RS232+USB device		1,775
30085693	Weigh Term 246H600031000000		SD Card	1,775
30085705	Weigh Term 246H600100000000	RS232+Ethernet TCP/IP		1,875
30085695	Weigh Term 246H600101000000		SD Card	1,915
30085706	Weigh Term 246H600110000000	RS232+Ethernet TCP/IP- +RS232/422/485		2,210
30085696	Weigh Term 246H600111000000		SD Card	2,250
30085708	Weigh Term 246H600130000000	RS232+Ethernet TCP/IP+USB		2,210
30085698	Weigh Term 246H600131000000		SD Card	2,250



## IND246 POWERCELL Options

Material Number	Material Description	Order Notes	List Price (CAD)
<b>Option Kits</b>			
72257451	USB+DIO Option Kit IND246	USB Device Serial Interface & 2/4 I/O	396
72257448	COM2 Option Kit IND246	1 additional RS232-485 port	328
72257449	COM2+DIO Option Kit IND246	1 additional RS232-485 port & 2/4 I/O	396
72257447	Ethernet Option Kit IND246		473
72257450	USB Option Kit IND246	USB Device Serial Interface	328

## IND246 POWERCELL Accessories

Material Number	Material Description	Order Notes	List Price (CAD)
<b>Brackets</b>			
72204997	Bracket IND246 SS		129
<b>Miscellaneous</b>			
72229289	SD Memory Card IND331/131/246	SD Memory Card	51
<b>Wall Brackets Stainless Steel</b>			
72188182	WALLMOUNT IND246	IND246 wall mount	133
<b>Bluetooth Connectivity</b>			
30385723	ACM360-M1 Bluetooth Adaptor	Wireless alternative to cables. See pg. 75	245

# Commercial Terminals and Indicators

## IND246 POWERCELL



### IND246 POWERCELL Terminal

#### One terminal - Multiple applications

The IND246 terminal includes basic weighing, animal weighing, checkweighing, counting, peak weight measurement and vehicle weighing applications.

#### Increased uptime

Performance Logs record each load cell's performance parameters at user set frequency to help monitor overall scale performance

#### Vivid and prominent weight display

The transreflective backlit graphic LCD display is well-suited for indoor or outdoor operation with easy viewing from as far as 30'/10m away

[www.mt.com/IND246](http://www.mt.com/IND246)



#### Standard Features

- Weight Display: Standard Mode, 27mm
- Weight Display: Application Mode, 22mm
- Supports up to 12 PDX load cells
- Single RS232 Serial Port
- IP66 Stainless Steel Enclosure
- 9 function keys, 4 navigation keys, 12-key alphanumeric keypad
- NTEP Class III/IIIL, 10,000d/2x5000d, COC #11-040
- Measurement Canada: Class III 10,000d, Class III HD 20,000d, #AM-5819

#### Approvals

#### Protection Rating

IP66

#### Load Cell

Up to 12; POWERCELL PDX; POWERCELL GDD

Material Number	Material Description	Interfaces	Memory	List Price (CAD)
30085700	Weigh Term 246H600000000000	RS232		1,415
30085690	Weigh Term 246H600001000000		SD Card	1,455
30085701	Weigh Term 246H600010000000	RS232+RS232/422/485		1,725
30085691	Weigh Term 246H600011000000		SD Card	1,775
30085703	Weigh Term 246H600030000000	RS232+USB device		1,725
30085693	Weigh Term 246H600031000000		SD Card	1,775
30085705	Weigh Term 246H600100000000	RS232+Ethernet TCP/IP		1,875
30085695	Weigh Term 246H600101000000		SD Card	1,915
30085706	Weigh Term 246H600110000000	RS232+Ethernet TCP/IP- +RS232/422/485		2,210
30085696	Weigh Term 246H600111000000		SD Card	2,250
30085708	Weigh Term 246H600130000000	RS232+Ethernet TCP/IP+USB		2,210
30085698	Weigh Term 246H600131000000		SD Card	2,250

## IND246 POWERCELL Options

Material Number	Material Description	Order Notes	List Price (CAD)
<b>Option Kits</b>			
72257451	USB+DIO Option Kit IND246	USB Device Serial Interface & 2/4 I/O	396
72257448	COM2 Option Kit IND246	1 additional RS232-485 port	328
72257449	COM2+DIO Option Kit IND246	1 additional RS232-485 port & 2/4 I/O	396
72257447	Ethernet Option Kit IND246		473
72257450	USB Option Kit IND246	USB Device Serial Interface	328

## IND246 POWERCELL Accessories

Material Number	Material Description	Order Notes	List Price (CAD)
<b>Brackets</b>			
72204997	Bracket IND246 SS		129
<b>Miscellaneous</b>			
72229289	SD Memory Card IND331/131/246	SD Memory Card	51
<b>Wall Brackets Stainless Steel</b>			
72188182	WALLMOUNT IND246	IND246 wall mount	133
<b>Bluetooth Connectivity</b>			
30385723	ACM360-M1 Bluetooth Adaptor	Wireless alternative to cables. See pg. 75	245

# Commercial Terminals and Indicators

## IND131 Configured



### Weigh-Comply-Control-Connect

#### Operator interface

This DIN-rail mount unit has a sharp looking OLED display and button interface for ease of set up and service.

#### Backup and restore utility

The SD memory card utility allows easy backup and restore of setup information along with the convenience of portability.

#### Calibration from PLC

Choose from traditional, Step, CalFREE™ calibration methods or the new calibration from PLC feature to eliminate operator error.

[www.mt.com/ind131](http://www.mt.com/ind131)

#### Standard Features

- TraxDSP™ digital filtering and TraxEMT™ maintenance features
- Supports four 350Ω load cells (or eleven 1000 ohm cells)
- Optional internal discrete I/O
- One RS232 serial port (COM1)
- Four Enclosure options: DIN rail mount, Panel Mount, Harsh enclosure, and JBox
- Embedded logic for simple material transfer
- Bright and crisp OLED display
- NTEP Class III/IIIL, 10,000d, COC #09-051
- Measurement Canada Approval: #AM-5819
- OIML: Class III, 6000e

#### Approvals

#### AD Update Rate

366 Hz

#### Displayed Resolution

100'000 d (max)

#### Sensitivity Approved

0.6 μV

#### Sensitivity Minimum

0.1 μV

#### Voltage

AC Version; 24 VDC Version

Material Number	Material Description	Mounting Flexibility	Protection Rating	Interfaces	Shipping Weight	List Price (CAD)
64087994	Weighing Terminal IND131	Junction Box; DIN-rail	IP69k; IP20	4 button interface	2 lbs	1,355

Base model											
1	3	B	1	IND131 Jbox Enclosure, 5mm OLED Display							
1	3	D	1	IND131 DIN Rail Enclosure, 5mm OLED Display							
-	-	-	-	Reserved							
-	-	-	-	0	0	0	0	Reserved			
-	-	-	-	Discrete I/O Options							
-	-	-	-	0	None						
-	-	-	-	B	Discrete I/O Relay Option (2 Input / 4 Output) & One (1) Additional Serial Port						
-	-	-	-	C	Discrete I/O Solid State Option (2 Input / 4 Output) & One (1) Additional Serial Port						
-	-	-	-	Connectivity Options							
-	-	-	-	0	None						
-	-	-	-	A	Analog Output (4-20mA)						
-	-	-	-	B	ALLEN-BRADLEY™ RIO						
-	-	-	-	C	ControlNet						
-	-	-	-	D	DeviceNet						
-	-	-	-	E	Ethernet/IP - Modbus TCP						
-	-	-	-	P	Profibus DP (panel mount enclosure)						
-	-	-	-	Reserved							
-	-	-	-	0	0	Reserved					
-	-	-	-	Power Options							
-	-	-	-	0	No Plug (DIN & Panel Enclosures)						
-	-	-	-	A	North America Plug Set (Harsh & JBox Enclosures)						
-	-	-	-	3	24VDC Powered (All Enclosures)						
-	-	-	-	Market							
-	-	-	-	0	0	Global					
1	3		1	0	0	0	0	0	0	0	0

## IND131 Configured Options

1	3	1	0	0	0	0	0	0	0	0	0
Material Description	1	2	3	4	Order Notes	List Price (CAD)					
<b>1 Base Model</b>											
IND131, DIN, analog	D					0					
IND131, j-box, analog	B					288					
<b>2 Discrete I/O Options</b>											
2/4 I/O, Relays, 1 Serial		B			Not to be used in hazardous areas	301					
2/4 I/O, Solid State, 1 Serial		C			For use in Division 2 hazardous areas	225					
<b>3 Connectivity Options</b>											
A-B RIO			B			680					
Analog Output			A			515					
ControlNET			C			980					
DeviceNet			D			680					
EtherNet/IP - Modbus TCP			E			980					
CC-Link			K			680					
PROFIBUS			P			680					
<b>4 Power Options</b>											
No Plug - 120VAC (DIN & Panel Enclosure)				0		0					
120 VAC North American Plug (Harsh & JBox Only)				A		0					
24VDC, No Plug				3		0					
131xx, ATEX/FM Approved, 24VDC				4	DIN Only	51					
131xx, FM Approved, 24VDC				5	JBox Only	310					

## IND131 Configured Accessories

Material Number	Material Description	Order Notes	List Price (CAD)
<b>Discrete I/O</b>			
72225753	IND331H DIO-RELAY KITS	JBox, Harsh: 2/4 I/O & RS232/485	311
72225757	IND331P DIO-RELAY KITS	Panel: 2input/4output & RS232/485	328
72225752	IND131/331 DIO-OC KITS	All Enclosures: Solid State 2/4 I/O & RS232/485	260
<b>Connectivity Options (1 Max)</b>			
72193580	Assembly DEVICENET OPTION KIT	Interface DeviceNet	840
72235362	IND131/331 PROFIBUS KITS		885
71209098	Assembly A-B RIO Kit	A-B RIO Interface	860
64058677	KOP, Ethernet/IP, IND Terminal	Ethernet/IP-Modbus TCP interface	1,155
64057423	KOP, CONTROLNET, IND780	ControlNet Interface	1,075
72225754	IND131/331 ANALOG OUTPUT KITS	Analog Output (4-20 mA)	680
<b>Miscellaneous</b>			
72225755	IND331P Mount Display Kits	DIN Conversion Kit - Convert DIN to Panel Mount	472
72229289	SD Memory Card IND331/131	SD Memory Card	51
72234649	W&M Sealing Kit	Weights and Measures Sealing Kit	18
71209353	KOP Mounting Bracket Harsh	Wall mounting kit	98
22015188	Stand adapter set IND... Global	Tilt / Swivel Bracket	187
<b>Power Supplies</b>			
64083629	24VDC P.S., FM APP.CLASS1, DIV 2, T4		444
64053820	POWER SUPPLY A100/IND110/IND130	24 V feed for ARM100	264

# Commercial Terminals and Indicators

## IND331 Configured



### Weigh-Comply-Control-Connect

#### Operator-friendly display

This harsh/desk/wall-mount unit has an OLED graphic display with 12mm tall characters for easy wide-angle viewing.

#### Backup and restore utility

The SD memory card utility allows easy backup and restore of setup information along with the convenience of portability.

#### Calibration from PLC

Choose from traditional, Step, CalFREE™ calibration methods or the new calibration from PLC feature to eliminate operator error.

[www.mt.com/ind331](http://www.mt.com/ind331)



#### Standard Features

- TraxDSP™ digital filtering and TraxEMT™ maintenance features
- Supports four 350Ω load cells (or eleven 1000 ohm cells)
- Optional internal discrete I/O
- One RS232 serial port (COM1)
- Four Enclosure options: DIN rail mount, Panel Mount, Harsh enclosure, and JBox
- Embedded logic for simple material transfer
- Bright and crisp OLED display
- NTEP Class III/IIIL, 10,000d, COC #09-051
- Measurement Canada Approval: #AM-5819
- OIML: Class III, 6000e

#### Approvals

#### AD Update Rate

366 Hz

#### Displayed Resolution

100'000 d (max)

#### Sensitivity Approved

0.6 mV

#### Sensitivity Minimum

0.1 μV

#### Voltage

AC Version; 24 VDC Version

Material Number	Material Description	Mounting Flexibility	Protection Rating	Interfaces	Shipping Weight	List Price (CAD)
64088572	Weighing Terminal IND331	Wall; Panel; Desk; Column	IP65	4 button interface; RS232	2.6 lbs	1,575

Base model											
3	3	H	1	IND331 Harsh Enclosure, 12mm OLED Display							
3	3	P	1	IND331 Panel Mount Enclosure, 12mm OLED Display							
-	-	-	-	Reserved							
0	0	0	0	Reserved							
-	-	-	-	Discrete I/O Options							
0	-	-	-	None							
-	-	-	-	Discrete I/O Relay Option (2 Input / 4 Output) & One (1) Additional Serial Port							
-	-	-	-	Discrete I/O Solid State Option (2 Input / 4 Output) & One (1) Additional Serial Port							
-	-	-	-	Connectivity Options							
0	-	-	-	None							
-	-	-	-	A Analog Output (4-20mA)							
-	-	-	-	B ALLEN-BRADLEY™ RIO							
-	-	-	-	C ControlNet							
-	-	-	-	D DeviceNet							
-	-	-	-	E Ethernet/IP							
-	-	-	-	P Profibus DP (panel mount enclosure)							
-	-	-	-	Reserved							
0	0	0	0	Reserved							
-	-	-	-	Power Options							
-	-	-	-	0 115 VAC, No Line Cord (Panel Mount)							
-	-	-	-	A 120 VAC, North American Plug							
-	-	-	-	B 220 VAC, Schuko Plug							
-	-	-	-	3 24VDC, No Plug							
-	-	-	-	4 331xx, ATEX/FM Approved, 24VDC							
-	-	-	-	Market							
0	0	0	0	Global							
3	3		1	0	0	0	0	0	0	0	

## IND331 Configured Options

3	3	1	0	0	0	0	0	0	0	0	0
Material Description	1	2	3	4	Order Notes	List Price (CAD)					
<b>1 Base Model</b>											
IND331, Harsh, Analog	H					78					
IND331, Panel, Analog	P					0					
<b>2 Discrete I/O Options</b>											
2/4 I/O, Relays, 1 Serial		B			Not to be used in hazardous areas	301					
2/4 I/O, Solid State, 1 Serial		C			For use in Division 2 hazardous areas	225					
<b>3 Connectivity Options</b>											
A-B RIO			B			680					
Analog Output			A			515					
ControlNET			C			980					
DeviceNet			D			680					
EtherNet/IP - Modbus TCP			E			980					
PROFIBUS			P			680					
CC-Link			K			680					
<b>4 Power Options</b>											
115VAC, No line cord (Panel Mount)				0		0					
24VDC, No Plug				3	External 24VDC Power Supply required	0					
120 VAC, North American Plug				A	Harsh Enclosure Unit	0					
331xx, ATEX/FM Approved, 24VDC				4		157					

## IND331 Configured Accessories

Material Number	Material Description	Order Notes	List Price (CAD)
<b>Discrete I/O</b>			
72225753	IND331H DIO-RELAY KITS	JBox. Harsh: 2/4 I/O & RS232/485	311
72225757	IND331P DIO-RELAY KITS	Panel: 2input/4output & RS232/485	328
72225752	IND131/331 DIO-OC KITS	All Enclosures: Solid State 2/4 I/O & RS232/485	260
<b>Connectivity Options (1Max)</b>			
72193580	Assembly DEVICENET OPTION KIT	Interface DeviceNet	840
72235362	IND131/331 PROFIBUS KITS		885
71209098	Assembly A-B RIO Kit	A-B RIO Interface	860
64058677	KOP, Ethernet/IP, IND Terminal	Ethernet/IP-Modbus TCP interface	1,155
64057423	KOP,CONTROLNET,IND780	ControlNet Interface	1,075
72225754	IND131/331 ANALOG OUTPUT KITS	Analog Output (4-20 mA)	680
<b>Miscellaneous</b>			
64067975	IND331 RL520 ADAPTOR PLATE	Adapter to replace a Rice Lake 520	146
72225755	IND331P Mount Display Kits	DIN Conversion Kit - Convert DIN to Panel Mount	472
64068416	KOP,HARDY ADAPTER PLATE,IND331	Adapter to replace a Hardy HI2110 - HI2151	146
72229290	PTPN Replace Kits IND331	Adapter to replace a Panther	122
72229289	SD Memory Card IND331/131	SD Memory Card	51
72234649	W&M Sealing Kit	Weights and Measures Sealing Kit	18
71209353	KOP Mounting Bracket Harsh	Wall mounting kit	98
22015188	Stand adapter set IND... Global	Tilt / Swivel Bracket	187
<b>Power Supplies</b>			
64083629	24VDC P.S.,FM APP.CLASS1,DIV 2,T4		444
<b>Bluetooth Connectivity</b>			
30385723	ACM360-M1 Bluetooth Adaptor	Wireless alternative to cables. See pg. 75	245

# Applied Terminals and Indicators

## IND570 Configured



### One Terminal. Many Solutions.

#### Controlled Integration Costs

Customize the IND570 with the specific software, communication and control options demanded by your application - adding costs only when needed.

#### Secure, Efficient Access to Data

Real-time or archived, the IND570's flexible communication options ensure you can effectively manage the data you need at the time you need it.

#### Boost Weighing System Effectiveness

Improve system performance and avoid expensive down-time with the smart diagnostics and proactive system monitoring available in the IND570.

[www.mt.com/IND570](http://www.mt.com/IND570)

Material Number	Material Description	Scale	Shipping Weight	List Price (CAD)
30116176	Weighing Terminal IND570	IDNet; Analog, SICSpro, POWERCELL	8.8 lbs	1,905

Base Model									
T	5	7	0	0	0	H	1	IND570 Harsh, Analog Scale	
T	5	7	0	0	0	H	4	IND570 Harsh, IDNet Scale	
T	5	7	0	0	0	H	5	IND570 Harsh, POWERCELL for PowerDeck	
T	5	7	0	0	0	H	6	IND570 Harsh, POWERCELL	
T	5	7	0	0	0	H	8	IND570 Harsh, SICSpro	
T	5	7	0	0	0	P	1	IND570 Panel, Analog Scale	
T	5	7	0	0	0	P	4	IND570 Panel, IDNet Scale	
T	5	7	0	0	0	P	6	IND570 Panel, POWERCELL	
T	5	7	0	0	0	P	8	IND570 Panel, SICSpro	
-	-	-	-	-	-	-	-	<b>Communication Options 1</b>	
-	-	-	-	-	-	-	0	None	
-	-	-	-	-	-	-	A	Ethernet	
-	-	-	-	-	-	-	-	<b>Communication Options 2</b>	
-	-	-	-	-	-	-	0	None	
-	-	-	-	-	-	-	2	COM2/3, 2/5 I/O, Dry Relays	
-	-	-	-	-	-	-	B	5/8 I/O, Dry Contact Relays	
-	-	-	-	-	-	-	D	COM2, COM3	
-	-	-	-	-	-	-	-	<b>Connectivity Options</b>	
-	-	-	-	-	-	-	0	None	
-	-	-	-	-	-	-	A	Analog Output	
-	-	-	-	-	-	-	C	ControlNet	
-	-	-	-	-	-	-	D	DeviceNet	
-	-	-	-	-	-	-	E	EtherNet/IP - Modbus TCP	
-	-	-	-	-	-	-	P	PROFIBUS (Horiz. Header-Panel)	
-	-	-	-	-	-	-	R	PROFIBUS (Vert. Header-Harsh)	
-	-	-	-	-	-	-	T	PROFINET	
-	-	-	-	-	-	-	-	<b>Application Pac Options</b>	
-	-	-	-	-	-	-	0	0	None/None
-	-	-	-	-	-	-	0	1	None/TaskExpert
-	-	-	-	-	-	-	0	2	None/COM-570
-	-	-	-	-	-	-	0	3	None/TaskExpert, COM-570
-	-	-	-	-	-	-	F	0	Fill-570/None
-	-	-	-	-	-	-	F	1	Fill-570/TaskExpert
-	-	-	-	-	-	-	F	2	Fill-570/COM-570
-	-	-	-	-	-	-	V	0	Drive-570/None
-	-	-	-	-	-	-	V	1	Drive-570/TaskExpert
-	-	-	-	-	-	-	V	2	Drive-570/COM-570
-	-	-	-	-	-	-	-	<b>Power Options</b>	
-	-	-	-	-	-	-	0	120-240VAC No Line Cord	
-	-	-	-	-	-	-	3	24VDC No Line Cord	
-	-	-	-	-	-	-	A	120-240VAC North America Plug	
-	-	-	-	-	-	-	B	120-240VAC Schuko Plug	
-	-	-	-	-	-	-	-	<b>Market</b>	
-	-	-	-	-	-	-	0	Global	
T	5	7	0	0	0		0	0	0



## IND570 Configured Options

T 5 7 0 0 0 0 0 0 0										
Material Description	1	2	3	4	5	6	7	8	Order Notes	List Price (CAD)
<b>1 Base Model</b>										
IND570 Harsh, Analog	H	1								98
IND570 Harsh, IDNet Scale	H	4								469
IND570 Harsh, POWERCELL	H	6							Supports POWERCELL PDX, GDD, and PowerMount	344
IND570 Harsh, SICSPRO Scale	H	8							Supports all P_K9XX models except APW & .6XS. Does not support PBD655	469
IND570 Panel, Analog Scale	P	1								0
IND570 Panel, IDNet Scale	P	4								371
IND570 Panel, POWERCELL	P	6							Supports POWERCELL PDX, GDD, and PowerMount	267
IND570 Panel, SICSPRO Scale	P	8							Supports all P_K9XX models except APW & .6XS. Does not support PBD655	371
<b>2 Communication 1</b>										
None			0							0
Ethernet			A							197
<b>3 Communication 2</b>										
None				0						0
5/8 I/O, Dry Contact Relays				B						357
COM2, COM3				D						133
COM2/3, 2/5 I/O, Dry Relays				2						357
<b>4 Connectivity</b>										
None					0					0
Analog Output					A					550
ControlNet					C					905
DeviceNet					D					660
EtherNet/IP - Modbus TCP					E					660
PROFIBUS (Horiz. Header-Panel)					P				Panel-Mount	660
PROFIBUS (Vert. Header-Harsh)					R				Harsh-Mount	660
PROFINET					T					660
<b>5 Application SW/Module</b>										
None/None						0	0			0
None/TaskExpert						0	1			520
None/COM-570						0	2			322
None/TaskExpert, COM-570						0	3			840
Fill-570/None						F	0			520
Fill-570/TaskExpert						F	1			1,035
Fill-570/COM-570						F	2			840
Drive-570/None						V	0			293
Drive-570/TaskExpert						V	1			820
Drive-570/COM-570						V	2			615
<b>5 Power Configuration</b>										
No Line Cord - 120-240VAC								0		0
No Line Cord - 24VDC								3	Panel Mount Only	0
120VAC-North America Plug								A		0
220VAC-Schuko Plug								B		0

## IND570 Configured Accessories

Material Number	Material Description	Order Notes	List Price (CAD)
<b>Application PACs</b>			
30139632	TaskExpert Module	Dongle TaskExpert	535
30139633	Com-570		272
30139638	Drive-570		340
30139639	Drive-570 w/ TaskExpert		705
30139634	Com-570 w/ TaskExpert		720
30139635	Fill-570		483
30139637	Fill-570/Com-570		720
30139636	FII-570 w/ TaskExpert		930
<b>ARM100 Digital Input/Output Module</b>			
71209352	ARM100 Remote I/O	ARM100 External relays via RS485	720
64053820	POWER SUPPLY A100/IND110/IND130	24 V feed for ARM100	264
<b>PLC Interfaces</b>			
30116110	Kit, DeviceNet, IND570	DeviceNet Interface	605
30116112	Kit, Ethernet/IP, IND570	Ethernet/IP-Modbus TCP interface	670
30113589	Assembly PROFIBUS Kit (Horiz. Header), IND570	PROFIBUS Interface Option for PANEL Mount	605
30113590	Assembly PROFIBUS Kit (Vert. Header), IND570	PROFIBUS Interface Option for HARSH enclosure	670
30113544	Kit, ControlNet, IND570	ControlNet Interface	1,025
<b>Connectivity</b>			
30113538	Kit, Ethernet, IND570	Ethernet TCP/IP	209
30113588	Assembly Analog Output Kit	4-20mA or 0-10V	605
30113539	Kit, COM2/COM3, IND570	COM2/COM3 Serial Interfaces	122
<b>Discrete I/O</b>			
30113540	Kit, 5/8 I/O, Dry Contact Relays, IND570	5/8 I/O Dry Contact Relays - Not for use in hazardous areas	396
30113542	Kit, COM2/3, 2/5 I/O, Dry Relays, IND570	COM2/COM3 & Internal Discrete I/O - 2 Inputs / 5 Outputs (relay)	345
<b>Miscellaneous</b>			
30130836	W&M Sealing Kit IND570		43
30139559	Option Kit,USB Adapter, IND	USB Adapter (extension) kit for harsh enclosure - changes rating to IP68	80
30139561	Option Kit,Ethernet Adapter,IND570 Harsh	Ethernet Adapter (extension) kit for harsh enclosure	80
22017610	Cable M12 Ethernet-RJ45 5m	Cable,M12,Ethernet RJ45,5m,Straight	229
22017614	Cable M12 Ethernet-RJ45 20m	Cable,M12,Ethernet RJ45,20m,Straight	204
22021090	Cable M12-R/A Ethernet-RJ45 5.0m	Cable,M12,Ethernet RJ45,5m,RtAngle	152
22021091	Cable M12-R/A Ethernet-RJ45 20.0m	Cable,M12,Ethernet RJ45,20m.RtAngle	271
<b>Mounting Bracket</b>			
22020286	VESA mount 100mm x 100mm	Tilt / Swivel Bracket for IND570/780	395
<b>Bluetooth Connectivity</b>			
30385723	ACM360-M1 Bluetooth Adaptor	Wireless alternative to cables. See pg. 75	245

# Applied Terminals and Indicators

## IND780 Configured

### High Performance Weighing

#### SmartTrac Shows It All

Enhanced graphical display providing improved process visualization for material transfer or over/under weighing to increase productivity and quality.

#### Multi-channel Concurrent Weighing

Concurrent measurement channels in one terminal and fast A/D performance at 366 Hz promote hardware cost savings at increased throughput and accuracy.

#### Embedded Maintenance Technician

Embedded diagnostic tools help avoid costly unscheduled breakdowns and quality defects by predicting failures and maintaining calibration compliance.

[www.mt.com/ind780](http://www.mt.com/ind780)



#### Standard Features

- USB Master for external keyboard
- One RS232/422/485 Serial Port
- One RS232 Serial Port
- One Ethernet TCP/IP Port (Connection to PC)
- Multiple Serial protocols for easy connectivity
- Graphical backlit Color LCD display
- Flexible print templates
- Desk/Wall or Panel Enclosure

#### Approvals

- NTEP Class III/IIIL 10,000d, COC#06-017, Class II 100,000d
- Measurement Canada Approval: Class II, 100,000d, Class III / IIIHD, 10,000d/ 20,000d #AM-5592
- Div 2 Approval: US & Canada: Class I, II, III; Groups A-D, F, and G T4

#### Accessories

- One RS232/422/485 Serial Port
- One RS232 Serial Port
- PLC Interfaces
- Discrete I/O
- Application Software

NOTE: Any IND780 application that utilizes the ARM200 requires a Discrete I/O card (Option B) in the IND780

#### Protection Rating

IP69k

#### Scale

X-Base; POWERCELL PDX & GDD; POWERCELL MTX; IDNet; Analog

Material Number	Material Description	Shipping Weight	List Price (CAD)
64087983	Weighing Terminal IND780	10 lbs	4,175

Base Model			
7	8	J	IND780 Harsh, Color LCD
7	8	R	IND780 Panel, Color LCD
<b>Interfaces 1 (Slot 1)</b>			
		0	No Option
		1	Analog Scale
		3	Powercell MTX
		4	IDNet
		6	Powercell PDX
		F	Flow-Meter
<b>Interfaces 2 (Slot 2)</b>			
		0	No Option
		1	Analog Scale
		4	IDNet
		6	Powercell PDX
		A	1 Serial (RS232/422/485)
		D	Dual Channel Analog Output
		F	Flow-Meter
<b>Interfaces 3 (Slot 3)</b>			
		0	No Option
		1	Analog Scale
		4	IDNet
		A	1 Serial (RS232/422/485)
		D	Dual Channel Analog Output
		F	Flow-Meter
<b>Interfaces 4 (Slot 4)</b>			
		0	No Option
		1	Analog Scale
		4	IDNet
		A	1 Serial (RS232/422/485)
		D	Dual Channel Analog Output
		F	Flow-Meter
<b>Communication 1 (Slot 5)</b>			
		0	No Option
		A	1 Serial (RS232/422/485)
		B	4/4 I/O, Dry Contact Relays
		C	4/4 I/O, Solid State Relays
		D	Dual Channel Analog Output
		F	Flow-Meter
<b>Communication 2 (Slot 6)</b>			
		0	No Option
		A	1 Serial (RS232/422/485)
		B	4/4 I/O, Dry Contact Relays
		C	4/4 I/O, Solid State Relays
		D	Dual Channel Analog Output
		F	Flow-Meter
<b>Connectivity</b>			
		0	No Option
		B	A-B RIO
		C	ControlNet
		D	DeviceNet
		E	EtherNet/IP - Modbus TCP
		T	ProfNet
		P	PROFIBUS (Vert. Header-Panel)
		R	PROFIBUS (Horiz. Header-Harsh)
7	8		

Application Pac / Module			
0	0	None/None	
0	1	None/TaskExpert	
0	2	None/COM-780, XML	
0	3	None/TaskExpert, COM-780, XML	
0	5	None/.NET Framework	
V	0	Drive-780/None	
V	1	Drive-780/TaskExpert	
V	4	MTX Vehicle Pac Bundle Only	
H	0	Axle-780/None	
H	1	Axle-780/TaskExpert	
T	N	Q.I. No Lic./TaskExpert	
T	A	Q.I. 1 Lic./TaskExpert	
T	B	Q.I. 2 Lic./TaskExpert	
T	C	Q.I. 3 Lic./TaskExpert	
T	D	Q.I. 4 Lic./TaskExpert	
T	E	Q.I. 5 Lic./TaskExpert	
T	F	Q.I. 6 Lic./TaskExpert	
T	G	Q.I. 7 Lic./TaskExpert	
T	H	Q.I. 8 Lic./TaskExpert	
T	J	Q.I. 9 Lic./TaskExpert	
T	K	Q.I. 10 Lic./TaskExpert	
T	L	Q.I. 11 Lic./TaskExpert	
T	M	Q.I. 12 Lic./TaskExpert	
R	0	Remote-780, XML/None	
R	1	Remote-780, XML/TaskExpert	
B	0	Batch Manual/None	
B	1	Batch Manual/TaskExpert	
B	A	Batch Auto Spill/TaskExpert	
B	B	Batch Auto Q.I. 1 Lic./TE	
B	C	Batch Auto Q.I. 2 Lic./TE	
B	D	Batch Auto Q.I. 3 Lic./TE	
B	E	Batch Auto Q.I. 4 Lic./TE	
<b>Power Option</b>			
	0	No Plug (Panel Mount Only)	
	A	120VAC, North American Plug	
	B	230VAC, Schuko Plug	
	Y	120VAC Div. 2 STOW	
	Z	240VAC, No Plug (Ferrules)	
<b>Market Option</b>			
	0	0	Global
	9	6	Div. 2 Approved (w/ Div. 2 STOW Power)
	9	7	ATEX Cat. 3 Approved (w/ 240VAC, No Plug Power)

## IND780 Configured Options

7	8															Order Notes	List Price (CAD)
<b>1 Base Model</b>																	
IND780 Harsh, Color LCD	J																86
IND780 Panel, Color LCD	R																0
<b>2 Interfaces &amp; Communication</b>																	
1 Serial (RS232/422/485)			A	A	A	A	A									2 Max	310
4/4 I/O, Dry Contact Relays						B	B									2 Discrete I/O options Max	310
4/4 I/O, Solid State Relays						C	C									2 Discrete I/O options Max - For use in Div. 2 areas	310
Analog Scale		1	1	1	1											4 Scales Max	630
Dual Channel Analog Output			D	D	D	D	D									2 Max	840
Flow-Meter		F	F	F	F	F	F									Dual Channel - 2 Cards Max	1,305
IDNet		4	4	4	4											4 Scales Max	630
Powercell MTX		3														1 MTX interface/up to 4 scales. 14+ cells require power supply	630
Powercell PDX		6	6													1 PDX interface - up to 4 scales. 14+ cells require power supply. Div. 2 load cell approved	690
<b>3 Connectivity</b>																	
A-B RIO								B									780
ControlNet								C									1,005
DeviceNet								D									780
EtherNet/IP - Modbus TCP								E									1,005
PROFIBUS (Horiz. Header)								R								Harsh Enclosure	780
PROFIBUS (Vert. Header)								P								Panel Mount	780
ProfiNet								T									1,005
<b>4 Application Pac / Module</b>																	
None/None								0	0								0
None/TaskExpert								0	1								605
None/COM-780, XML								0	2								455
None/TaskExpert, COM-780, XML								0	3								1,065
None/.NET Framework								0	5								605
Batch Manual/None								B	0								3,045
Batch Manual/TaskExpert								B	1								3,645
Batch Auto Spill/TaskExpert								B	A								4,540
Batch Auto Q.i. 1 Lic./TE								B	B								6,950
Batch Auto Q.i. 2 Lic./TE								B	C								8,810
Batch Auto Q.i. 3 Lic./TE								B	D								10,950
Batch Auto Q.i. 4 Lic./TE								B	E								13,090
Axle-780/None								H	0								580
Axle-780/TaskExpert								H	1								1,175
Drive-780/None								V	0								560
Drive-780/TaskExpert								V	1								1,165
MTX Vehicle Pac Bundle Only								V	4							MTX, COM, Drive	-550
Q.i. 1 Lic./TaskExpert								T	A								6,570
Q.i. 10 Lic./TaskExpert								T	K								24,880
Q.i. 11 Lic./TaskExpert								T	L								27,090
Q.i. 12 Lic./TaskExpert								T	M								29,120

Material Description	1	2	3	4	5	6	7	8	9	10	11	12	Order Notes	List Price (CAD)
<b>4 Application Pac / Module(continued)</b>														
Q.i, 2 Lic./TaskExpert									T	B				8,390
Q.i, 3 Lic./TaskExpert									T	C				10,440
Q.i, 4 Lic./TaskExpert									T	D				12,510
Q.i, 5 Lic./TaskExpert									T	E				14,580
Q.i, 6 Lic./TaskExpert									T	F				16,640
Q.i, 7 Lic./TaskExpert									T	G				18,700
Q.i, 8 Lic./TaskExpert									T	H				20,790
Q.i, 9 Lic./TaskExpert									T	J				22,850
Q.i, No Lic./TaskExpert									T	N				4,250
Remote-780, XML/None									R	O				820
Remote-780, XML/TaskExpert									R	I				1,415
<b>5 Power Option</b>														
No Plug (Panel Mount Unit)												O		0
120VAC, North American Plug												A		0
230VAC, Schuko Plug												B		0
120VAC Div. 2 STOW												Y		0
<b>6 Power Option</b>														
Global												00		0
Div. 2 Approved												96		401
ATEX Approved												97		401

## IND780 Configured Accessories

Material Number	Material Description	Order Notes	List Price (CAD)
<b>Scale Interfaces</b>			
64057417	KOP,POWERCELL,IND780	MTX scale. 12+ cells requires external power supply	690
64057421	KOP,IDNET/DIGINET,IND780	IDNet Scale Interface	745
64063330	KOP,SINGLE ALC,EX,IND780	Interface to analog scale	730
64067252	POWERCELL PDX Channel IND780	PDX scale. 12+ cells requires external power supply	830
64068605	Flow Meter		1,355
<b>Application Software</b>			
22009172	Drive-780 Application KOP	Weighbridge management software	765
22009173	TaskExpert-780	Dongle TaskExpert	700
22009174	Com Application IND780		496
64057889	TaskExpert + Drive-780		1,565
64061173	KOP,APPLICATION PAC AXLE,IND780		690
<b>ARM100 &amp; Digital Input/Output Interfaces</b>			
71209352	ARM100 Remote I/O	ARM100 External relays via RS485	720
64057419	KOP,DISCRETE I/O RELAY,IND780	Interface 4I/O Dry Contact relay	382
64057422	KOP,DISCRETE I/O,SOLID STATE,IND780	Interface Div 2 4 I/O	332
64053820	POWER SUPPLY A100/IND110/IND130	24 V feed for ARM100	264
<b>Miscellaneous</b>			
64056538	KOP,IND780,SEALING,W/M	Weights & Measures Sealing Kit	61
72183757	TERMINAL STRIP CONNECTOR KIT	Connector Kit	183
<b>PLC Interfaces</b>			
64057423	KOP,CONTROLNET,IND780	ControlNet Interface	1,075
64058677	KOP, Ethernet/IP, IND Terminal	Ethernet/IP-Modbus TCP interface	1,155
71209096	Assembly ProfiBUS Kit(Vertical header)	Profibus DP Interface Option for Panel Mount	840
<b>Bluetooth Connectivity</b>			
30385723	ACM360-M1 Bluetooth Adaptor	Wireless alternative to cables. See pg. 75	245

Material Number	Material Description	Order Notes	List Price (CAD)
<b>PLC Interfaces(continued)</b>			
71209097	Assembly ProfiBUS Kit(Horizontal Header)	Profibus-DP Table Model Interface for Panel mount terminals	840
71209098	Assembly A-B RIO Kit	RIO Interface	860
72193580	Assembly DEVICENET OPTION KIT	Interface DeviceNet	840
72230302	KOP Analog Output IND780	Analog Output Interface 2 tracks 4-20 mA	930
30130721	KOP Profinet		1,045
<b>Serial Interfaces</b>			
64057420	KOP,SINGLE SERIAL,IND780	Interface RS232/RS422/RS485	357
<b>Mounting Brackets</b>			
71209353	KOP Mounting Bracket Harsh	Wall mounting kit	98
22020286	VESA mount 100mm x 100mm	Tilt / Swivel Bracket for IND570/780	395
<b>Misc</b>			
68001984	POWER SUPPLY Assembly 24V	Used to power more the 14 POWERCELL load cells / CMOS barrier	439

# Terminals and Indicators

## IND890-10 Configured



### Unleash the power of a PC

#### The compact all-in-one solution

The IND890-10 is the compact version of the IND890. Designed to operate where space is at a premium while maintaining a high level of performance.

#### Optimized touch operations

The advanced industrial touch screen provides the user with the simplest and clearest of interfaces. It can even be operated while wearing gloves.

#### PC technology for harsh environments

The IND890-10 is IP69k rated. It is well protected against high pressure water wash down and harsh industrial environments.

[www.mt.com/ind890](http://www.mt.com/ind890)

Material Number	Description	Protection Rating	Housing	Shipping Weight	List Price (CAD)
22500050	IND890-10	IP69k	Stainless Steel	10 lbs	3,670

Base model					
8	9	0	C	IND890-10	
-	-	-	-	Display Size	
-	-	-	-	0	Display 10"
-	-	-	-	Style	
-	-	-	-	H	Harsh
-	-	-	-	P	Panel
-	-	-	-	Interface 1	
-	-	-	-	0	None
-	-	-	-	1	Analog-Scale
-	-	-	-	2	SICS-Scale-RS232
-	-	-	-	3	SICSpro Scale
-	-	-	-	4	IDNet-Scale
-	-	-	-	D	RS232
-	-	-	-	E	RS422
-	-	-	-	G	RS485
-	-	-	-	U	USB
-	-	-	-	Interface 2	
-	-	-	-	0	None
-	-	-	-	1	Analog-Scale
-	-	-	-	2	SICS-Scale-RS232
-	-	-	-	3	SICSpro Scale
-	-	-	-	4	IDNet-Scale
-	-	-	-	D	RS232
-	-	-	-	E	RS422
-	-	-	-	G	RS485
-	-	-	-	U	USB
-	-	-	-	Interface 3	
-	-	-	-	0	None
-	-	-	-	1	Analog-Scale
-	-	-	-	2	SICS-Scale-RS232
-	-	-	-	3	SICSpro Scale
-	-	-	-	4	IDNet-Scale
-	-	-	-	D	RS232
-	-	-	-	E	RS422
-	-	-	-	G	RS485
-	-	-	-	U	USB
-	-	-	-	Interface 4	
-	-	-	-	0	None
-	-	-	-	1	Analog-Scale
-	-	-	-	2	SICS-Scale-RS232
-	-	-	-	3	SICSpro Scale
-	-	-	-	4	IDNet-Scale
-	-	-	-	D	RS232
-	-	-	-	E	RS422
-	-	-	-	G	RS485
-	-	-	-	U	USB
8	9	0	C	0	



<b>Interface 5</b>	
0	None
D	RS232
E	RS422
G	RS485
U	USB
C	4 I/O
<b>Interface 6</b>	
0	None
D	RS232
E	RS422
G	RS485
U	USB
C	4 I/O
<b>ApplicationPac/Module</b>	
0	Base-890
Y	API-890
K	Com-890
<b>Weight&amp;Measure-Kit</b>	
0	None
4	W&M-Kit
<b>Power Option</b>	
A	120VAC, North American Plug
B	230VAC, Schuko Plug
<b>Operating System</b>	
C	Windows EC 7E
D	Windows EC 7Pro

### IND890-10 Configured Options

8	9	0	C	0															Order Notes	List Price (CAD)
<b>1 Base Model</b>																				
IND890-10 Desk			H																	0
IND890-10 Panel			P																	0
<b>2 Communication</b>																				
Analog-Scale Interface				1	1	1	1													615
SICS Scale-RS232 Interface				2	2	2	2													615
SICSpro-Scale Interface				3	3	3	3													615
IDNet-Scale Interface				4	4	4	4													615
RS232 Interface				D	D	D	D	D	D											469
RS422 Interface				E	E	E	E	E	E											469
RS485 Interface				G	G	G	G	G	G											469
USB Interface				U	U	U	U	U	U											469
Digital 4 I/O Interface								C	C											615
<b>3 Application</b>																				
Base-890											0									0
API Application											Y									1,090
<b>4 Weight &amp; Measurement</b>																				
W&M-Kit											4									278
<b>5 Power Option</b>																				
120VAC, North American Plug													A							0
230VAC, Schuko Plug													B							0
<b>6 Operating System</b>																				
Windows EC 7E																		C		0
Windows EC 7Pro																		D		219

## IND890-10 Configured Accessories

Material Number	Material Description	Order Notes	List Price (CAD)
<b>Accessory</b>			
22020339	Com1-3 RS232 cable set IND890		605
<b>Brackets</b>			
22020286	VESA mount 100mm x 100mm	Tilt / Swivel Bracket for IND890	395
<b>Cables</b>			
22017614	Cable M12 Ethernet-RJ45 20m	Cable M12 Ethernet RJ45; 20 m / 66 ft	204
22017610	Cable M12 Ethernet-RJ45 5m	Cable M12 Ethernet RJ45; 5 m / 16 ft	229
22017604	Cable M12 USB type A 0.2m	Cable M12 USB Female Type A, USB host, 0.2 m / 0.7 ft	178
22017608	Cable M12 USB type A 3m	Cable M12 USB Female Type A, USB host, 3 m / 10 ft	174
30127057	Cable M12 3m for APR printer		199
<b>Cables (always delivered with straight M12 plug)</b>			
22017602	Cable M12 RS232-SICS Scale		187
22017601	Cable M12 RS232-SUB-D9P	Cable M12 RS232 Female Sub D 9 pin (crossed; used for PC).	194
22017603	Cable M12 RS485/422 -open		158
<b>Plugs IP67* (M12 plug) * Supplied as IP67</b>			
22022056	Set RS232 Counter Plug (8pin,M12)	RS232 Counter Plug (8pin, M12)	215
22022058	Set ETH Counter Plug (4pin,M12)	Ethernet Counter Plug (4pin, Coding D, M12)	167
22022059	Set USB Counter Plug (4pin,M12)	USB Counter Plug (4pin, Coding A, M12)	186
<b>Covers</b>			
22020297	Dust Cover M12 (10pcs.)		152
<b>Various</b>			
22023528	Cable M12 RS232-RS232	Cable 2xM12 SICS-connection 3.0 m (cross)	353
22022783	Digital I/O Interface IND890	Interface module 4I/O	790
22020303	Ethernet Interface IND890		660
22020299	IDNet Interface IND890 (Acc)		650
22020300	RS232 Interface IND890		645
22020301	RS422 Interface IND890		645
22020316	RS485 Interface IND890		645
22021765	Sealing-set IND890	Calibration kit complete W & M IND890	294
22020315	SICS-Scale-RS232-IND890		660
22020302	USB Interface IND890 (Acc)		645
22020298	Analog Scale IND890		790

# Consultative Terminals and Indicators

## IND890-HMI Configured



### Unleash the power of a PC

#### The perfect human/machine interface

The Widescreen HMI of the IND890 provides the user with a large and clear display of weighing data combined with all the function of a PC display.

#### Optimized touch operations

The IND890 is a perfect Human Machine Interface which is operated via a robust industrial touch screen. It can even be operated while wearing gloves.

#### PC technology for harsh environments

The IND890 is IP69k rated. It is well protected against high pressure water wash down and harsh industrial environments.

[www.mt.com/IND890](http://www.mt.com/IND890)

Material Number	Description	Shipping Weight	List Price (CAD)
22500051	Human Machine Interface IND890	24 lbs	4,990

Base model													
8	9	0	H	IND890HMI									
-	-	-	-	Display Size									
-	-	-	-	5	Display 15"								
-	-	-	-	9	Display 19"								
-	-	-	-	Style									
-	-	-	-	H	Harsh								
-	-	-	-	P	Panel								
-	-	-	-	Interface 1									
-	-	-	-	0	None								
-	-	-	-	U	USB								
-	-	-	-	Interface 2									
-	-	-	-	0	None								
-	-	-	-	U	USB								
-	-	-	-	Interface 3									
-	-	-	-	0	None								
-	-	-	-	Interface 4									
-	-	-	-	0	None								
-	-	-	-	Interface 5									
-	-	-	-	0	None								
-	-	-	-	Interface 6									
-	-	-	-	0	None								
-	-	-	-	ApplicationPac/Module									
-	-	-	-	0	None								
-	-	-	-	Weight&Measure-Kit									
-	-	-	-	0	None								
-	-	-	-	Power Option									
-	-	-	-	A	120VAC, North American Plug								
-	-	-	-	B	230VAC, Schuko Plug								
-	-	-	-	VGA Cable Length									
-	-	-	-	2	2m cable								
-	-	-	-	5	5m cable								
8	9	0	H					0	0	0	0	0	0

## IND890-HMI Configured Options

8	9	0	H						0	0	0	0	0	0								
Material Description														1	2	3	4	5	6	Order Notes	List Price (CAD)	
<b>1 Base Model</b>																						
IND890-HMI-15 Desk														5	H							0
IND890-HMI-15 Panel														5	P							0
IND890-HMI-19 Desk														9	H							1,035
IND890-HMI-19 Panel														9	P							1,035
<b>2 Communication</b>																						
None																0	0					0
1st USB Interface																U						469
2nd USB Interface																	U					469
<b>3 Power Option</b>																						
120VAC North American Plug																		A				0
230VAC, Schuko Plug																		B				0
<b>3 Connection Cable</b>																						
HMI interface 2m cable																			2			0
HMI interface 5m cable																			5			137

## IND890-HMI Configured Accessories

Material Number	Material Description	Order Notes	List Price (CAD)
<b>Covers</b>			
22020297	Dust Cover M12 (10pcs.)		148
<b>Stands</b>			
22020290	Floor stand IND890		1,345
<b>Various</b>			
22020287	Wall bracket SS IND890		620

# Consultative Terminals and Indicators

## IND890-ELO Configured




### Unleash the power of a PC

#### PC meets weighing technology

The ELO box is a successful combination of the latest PC technology with weighing functionality. Both are integrated into an IP69k protected housing.

#### Increased connectivity options

The ELO box provides a large range of interfaces. Choose the best communication solution for your application.

#### PC technology for harsh environments

The latest technology and the use of solid state memory makes the IND890-Elo-Box fast, robust and harsh enough to use directly in production environments.

[www.mt.com/IND890](http://www.mt.com/IND890)

Material Number	Description	Protection Rating	Housing	Shipping Weight	List Price (CAD)
22500052	PC Electronic Box IND890	IP69k	Stainless Steel	10 lbs	4,640

Base model									
8	9	0	K	IND890-Elo1 i3 RAM 4GB					
8	9	0	L	IND890-Elo2 i7 RAM 4GB					
-	-	-		<b>Mass storage</b>					
-	-	-		C	Solid State Disc 64GB				
-	-	-		D	Solid State Disc 256GB				
-	-	-			<b>PC Interfaces COM 1-3</b>				
-	-	-		0	None				
-	-	-		1	COM1-3				
-	-	-			<b>Interface1</b>				
-	-	-		0	None				
-	-	-		1	Analog-Scale				
-	-	-		4	IDNet-Scale				
-	-	-		2	SICS-Scale-RS232				
-	-	-		3	SICSpro Scale				
-	-	-		D	RS232				
-	-	-		E	RS422				
-	-	-		G	RS485				
-	-	-		U	USB				
-	-	-		A	2nd Ethernet				
-	-	-			<b>Interface 2</b>				
-	-	-		0	None				
-	-	-		1	Analog-Scale				
-	-	-		4	IDNet-Scale				
-	-	-		2	SICS-Scale-RS232				
-	-	-		3	SICSpro Scale				
-	-	-		D	RS232				
-	-	-		E	RS422				
-	-	-		G	RS485				
-	-	-		U	USB				
-	-	-		A	2nd Ethernet				
-	-	-			<b>Interface 3</b>				
-	-	-		0	None				
-	-	-		1	Analog-Scale				
-	-	-		4	IDNet-Scale				
-	-	-		2	SICS-Scale-RS232				
-	-	-		3	SICSpro Scale				
-	-	-		D	RS232				
-	-	-		E	RS422				
-	-	-		G	RS485				
-	-	-		U	USB				
-	-	-		A	2nd Ethernet				
-	-	-			<b>Interface 4</b>				
-	-	-		0	None				
-	-	-		1	Analog-Scale				
-	-	-		4	IDNet-Scale				
-	-	-		2	SICS-Scale-RS232				
-	-	-		3	SICSpro Scale				
-	-	-		D	RS232				
-	-	-		E	RS422				
-	-	-		G	RS485				
-	-	-		U	USB				
-	-	-		A	2nd Ethernet				
8	9	0							

<b>Interface 5</b>					
0	None				
D	RS232				
E	RS422				
G	RS485				
U	USB				
A	2nd Ethernet				
C	4 I/O				
<b>Interface 6</b>					
0	None				
D	RS232				
E	RS422				
G	RS485				
U	USB				
A	2nd Ethernet				
C	4 I/O				
<b>ApplicationPac/Module</b>					
0	Base-890				
Y	API-890				
<b>Weight&amp;Measure-Kit</b>					
0	None				
4	W&M-Kit				
<b>Power Option</b>					
A	120VAC, North American Plug				
B	230VAC, Schuko Plug				
<b>Operating System</b>					
L	Win7 English / Application English				

# IND890-ELO Configured Options

8	9	0																			
Material Description			1	2	3	4	5	6	7	8	9	10	11	12	13	Order Notes				List Price (CAD)	
<b>1 Base Model</b>																					
IND890-Elo-1 i3 RAM 4GB			K																		2,710
IND890-Elo-2 i7 RAM 4GB			L																		6,070
<b>2 Mass Storage</b>																					
SSD 64GB				C																	0
SSD 256GB				D																	1,405
<b>3 COM-Ports</b>																					
None					0																0
COM 1-3 Interface					1																433
<b>4 Communication (Slots 1-6)</b>																					
Analog-Scale Interface						1	1	1	1												615
IDNet-Scale Interface						4	4	4	4												615
SICS Scale-RS232 Interface						2	2	2	2												615
SICSpro Scale Interface						3	3	3	3												615
2nd Ethernet Interface						A	A	A	A	A	A										469
RS232 Interface						D	D	D	D	D	D										469
RS422 Interface						E	E	E	E	E	E										469
RS485 Interface						G	G	G	G	G	G										469
USB Interface						U	U	U	U	U	U										469
Digital 4 I/O Interface										C	C										615
<b>5 Application</b>																					
Base-890											0										0
API Application											Y										1,090
<b>6 Weight &amp; Measurement</b>																					
None												0									0
O-IND890 W&M / MID												4									278
<b>7 Power Option</b>																					
120VAC, North American Plug														A							0
230VAC, Schuko Plug														B							0
<b>8 Operating System</b>																					
Win7English / Application English																L					0



## IND890-ELO Configured Accessories

Material Number	Material Description	Order Notes	List Price (CAD)
<b>Accessory</b>			
22020339	Com1-3 RS232 cable set IND890		605
<b>Cables</b>			
22017604	Cable M12 USB type A 0.2m	Cable M12 USB Female Type A, USB host, 0.2 m / 0.7 ft	178
22017608	Cable M12 USB type A 3m	Cable M12 USB Female Type A, USB host, 3 m / 10 ft	174
22018974	Cable M12 VGA/USB 2m		2,270
22017602	Cable M12 RS232-SICS Scale	M12 DB9 male for connection to printer or X-base	187
22017601	Cable M12 RS232-SUB-D9P	Cable M12 RS232 Female DB9 pin (crossed; used for PC). Cannot be used in conjunction with the ICS_9 f-Version	194
22017603	Cable M12 RS485/422 -open	M12 to bare ended cables	158
22017610	Cable M12 Ethernet-RJ45 5m	Cable,M12,Ethernet RJ45,5m,Straight	229
22017614	Cable M12 Ethernet-RJ45 20m	Cable,M12,Ethernet RJ45,20m,Straight	204
<b>Covers</b>			
22020297	Dust Cover M12 (10pcs.)		152
<b>Miscellaneous</b>			
22020298	Analog Scale IND890		790
22020285	Wall mount IND890-Elo		153
<b>Plugs IP67* (M12 plug) * Supplied as IP67</b>			
22022056	Set RS232 Counter Plug (8pin,M12)	RS232 Counter Plug (8pin, M12)	215
22022058	Set ETH Counter Plug (4pin,M12)	Ethernet Counter Plug (4pin, Coding D, M12)	167
22022059	Set USB Counter Plug (4pin,M12)	USB Counter Plug (4pin, Coding A, M12)	186
<b>Stands</b>			
22020290	Floor stand IND890		1,395
<b>Various</b>			
22023528	Cable M12 RS232-RS232	Cable 2xM12 SICS-connection 3.0 m (cross)	353
22018975	Cable M12 VGA/USB 5m		393
22022783	Digital I/O Interface IND890	Interface module 4I/O	790
22020303	Ethernet Interface IND890		660
22023748	Filter set IND890-Elo2 (10pcs)		134
22020319	HardDisk IND890-Elo		426
22020299	IDNet Interface IND890 (Acc)		650
22020300	RS232 Interface IND890		645
22020301	RS422 Interface IND890		645
22020316	RS485 Interface IND890		645
22021765	Sealing-set IND890	Calibration kit complete W & M IND890	294
22020315	SICS-Scale-RS232-IND890		660
22020320	SSD-IND890-Elo		1,440
22023728	Upgrade kit i3/WIN7 IND890		6,720
22023729	Upgrade kit i3/WIN7(license) IND890		7,655
22023727	Upgrade kit i3/XP IND890		6,720
22020302	USB Interface IND890 (Acc)		645
22022772	WLAN Interface IND890	Wireless interface WLAN	1,250

# Custom Systems

## Custom Packaged Terminals

### Custom Packaging Solutions

#### Approvals

USA: Class II 100,000d, Class III/IIIL 10,000d: COC #06-017

Canada: Class II 100,000d; Class III 10,000d, Class III HD, 20,000d: AM-5592

#### Standard Features

Desk/Wall or Panel enclosure  
 One RS232 serial port  
 One RS232/422/485 serial port  
 One Ethernet TCP/IP port (for PC)  
 Graphical backlit LCD display  
 6 user selectable soft keys, CTPZ, and 4 application keys  
 Flexible print templates  
 Multiple serial protocols for easy connectivity  
 USB Master for external keyboard

#### Optional

Up to 4 simultaneous scales and SUM scale  
 ControlNet, EtherNet/IP, RIO, Profibus  
 Discrete IO 4in/4out (include B in the Comm I/O slot)  
 Programmable TaskExpert

#### Environmental Protection

Mild Steel Enclosures TYPE 4X (20"x20"x6")\*

304 Stainless Steel Enclosures TYPE 4X (20"x20"x6")

X-Purge - Suitable for Class I & II; Divisions 1 & 2; Group C,D,E,F,G; T4 (No Agency Approval). Must be approved locally. (24"x24"x8")

Flanged/Flush Mount Enclosures for use in limited space areas, pharmaceutical clean room. EZ Clean Control option available.

Watershed™ NSF CO1 compliant enclosure for food processing/pharmaceutical applications

#### Standard Customizations

One, two, or three panel mount terminals mounted in Stainless Steel enclosure  
 Instruments wired to Power Panel  
 Drawings and Documentation (1 set with equipment, additional for a fee)  
 Hazardous Area--X-Purge package

#### Custom Options

Terminal packages do not include any instrument options. Options may be added at Suggested List Price.

Manual operators and internal I/O.

Custom installation or wiring of options.

Additional Documentation

[www.mt.com/IND780](http://www.mt.com/IND780)



### Preconfigured Quick Ship Options (3 week delivery)

Material Number	Description	Terminal Options	Enclosure Material	Enclosure Size	List Price (CAD)
30331731	IND570 Analog with 2 operators and E-Stop	TE and I/O	Stainless Steel	16"x16"x6"	9,960
30331732	IND570 Analog with 2 operators and E-Stop	TE, I/O, Serial	Stainless Steel	16"x16"x6"	10,470
30331733	IND780 Analog with no operators	TE, E/IP, I/O	Stainless Steel	20"x20"x6"	12,020
30331734	IND780 Analog with 4 operators and E-Stop	TE, E/IP, I/O	Stainless Steel	20"x20"x6"	15,600
30331735	IND570 Analog with EZ-Clean lift deck controls		Stainless Steel	Flanged Mount	14,290

### Contact Custom Systems Application Support for quotes

\*Suitable for installation in a Class I and II, Div 2 area when installed according to Control Drawing

# Consultative Data Communication

## Collect+

### Data Collection Software

#### Production Data Collected in One Place

Collect live production data from any device in your production environment and store it centrally for easy access.

#### Integrated Dashboard Visualizations

Display graphical representations of the collected data and additional production attributes with the integrated dashboard tool.

#### View Your Data Anywhere

Distribute the information to individuals and systems anywhere via web based dashboard displays and remote Excel data access.

[www.mt.com/collectplus](http://www.mt.com/collectplus)



Material Number	Material Description	Order Notes	List Price (CAD)
30243825	COLLECT+ Software and License	Full system including software on a USB with a license key	935
30243826	COLLECT+ License Certificate	License ONLY - upgrade a 45 day demo to a fully licensed system	935
30243827	COLLECT+ 45 day DEMO	USB delivered with the demo software - expires 45 days after install	0

**Consultative** **Software**  
**WeighSync**

**Simple Connection to Devices**

**Connection to a Variety of Terminals**

Offers flexibility to define custom data structures, which can be parsed and mapped to user-defined fields and tables in the MS SQL Server Express data-base.

**Common Weighing Applications Included**

Includes checkweighing, counting, animal weighing, and weight accumulation applications. Pre-defined print templates provide a transaction record.

**Scalable for Future Growth**

Can use a serial connection to communicate with older generation terminals, but is also ready to take advantage of newer, ethernet-enabled products.

[www.mt.com/IND-WeighSync](http://www.mt.com/IND-WeighSync)



Material Number	Material Description	List Price (CAD)
30092997	KOP,Memory Stick,WeighSync	590

Consultative **SQC**  
FreeWeigh.Net®

### Excellence in SQC

#### Comprehensive Standard Package

Statistical methods for analysis of process deviations based on sample data acquisition. Typically for net content control of prepacked products.

#### System Benefits

Seamless and traceable documentation of the production and fill process. Guided operation at the Testplace for efficient data acquisition.

#### Regulated Industries

Complies with stringent requirements of the pharmaceutical industry. Ready for US FDA 21 CFR Part 11 compliant operation.

[www.mt.com/freeweighnet](http://www.mt.com/freeweighnet)

- Standard reports included
- Online monitoring and alarms
- 3 concurrent clients included
- Centralized database
- Modular expandable
- Networked SQC/SPC system



**Contact Advanced Solutions Group for quotes**

Consultative

# SQC

## FreeWeigh.Net® Compact

### Excellence in SQC

#### Comprehensive Standard Package

Statistical methods for analysis of process deviations based on sample data acquisition. Typically for net content control of prepacked goods.

#### System Benefits

Seamless and traceable documentation of the production and fill process. Guided operation at the Testplace for efficient data acquisition.

#### Entry System with Growth Potential

FreeWeigh.Net® Compact has all functionality of FreeWeigh.Net® and can be upgraded to networked operation if needed.

[www.mt.com/freeweighnet-compact](http://www.mt.com/freeweighnet-compact)

- Standard reports included
- Online monitoring and alarms
- One Testplace included
- Upgradeable
- Modular expandable
- Single station SQC/SPC



**Contact Advanced Solutions Group for quotes**

**Applied** **SQC**  
**IND890SQC Configured**

**Statistical Quality Control**

**Ensure Consistency**

The IND890-10 terminal offers the SQC-890 application that controls the consistency of net content to ensure constant high quality in the production process.

**Regulatory Compliance**

Product-specific tolerance limits can be defined, allowing users to comply with regulatory standards and guidelines.

**Real-time Information**

SQC-890 provides real-time information that allows immediate response and adjustments to avoid production problems.

[www.mt.com/IND890SQC](http://www.mt.com/IND890SQC)



Material Number	Material Description	List Price (CAD)
30236193	Weighing Terminal IND890SQC	5,045

Base model											
8	9	0	Q	IND890SQC							
-	-	-	-	Display Size							
-	-	-	-	0	Display 10"						
-	-	-	-	Style							
-	-	-	-	H	Harsh						
-	-	-	-	P	Panel						
-	-	-	-	Interface 1							
-	-	-	-	1	Analog-Scale						
-	-	-	-	4	IDNet-Scale						
-	-	-	-	2	SICS-Scale-RS232						
-	-	-	-	3	SICSpro Scale						
-	-	-	-	Interface 2							
-	-	-	-	0	None						
-	-	-	-	D	RS232						
-	-	-	-	U	USB						
-	-	-	-	Interface 3							
-	-	-	-	0	None						
-	-	-	-	D	RS232						
-	-	-	-	U	USB						
-	-	-	-	Interface 4							
-	-	-	-	0	None						
-	-	-	-	D	RS232						
-	-	-	-	U	USB						
-	-	-	-	Interface 5							
-	-	-	-	0	None						
-	-	-	-	D	RS232						
-	-	-	-	U	USB						
-	-	-	-	Interface 6							
-	-	-	-	0	None						
-	-	-	-	D	RS232						
-	-	-	-	U	USB						
-	-	-	-	ApplicationPac/Module							
-	-	-	-	X	SQC-890						
-	-	-	-	Weight&Measure-Kit							
-	-	-	-	0	None						
-	-	-	-	4	W&M-Kit						
-	-	-	-	Power Option							
-	-	-	-	A	120VAC, North American Plug						
-	-	-	-	B	230VAC, Schuko Plug						
-	-	-	-	Power Option							
-	-	-	-	D	Windows EC 7Pro						
8	9	0	Q	0						X	D

# IND890SQC Configured Options

										B					
										B					
8	9	0	C	0						x					
<b>Material Description</b>					1	2	3	4	5	6	7	8	9	<b>Order Notes</b>	<b>List Price (CAD)</b>
<b>1 Base Model</b>															
IND890SQC-Desk					H										0
IND890SQC-Panel					P										0
<b>2 Communication</b>															
Analog-Scale Interface						1									615
SICS-Scale-RS232 Interface						2									615
SICS-Scale-RS422 Interface						3									615
IDNet-Scale Interface						4									615
RS232 Interface							D	D	D	D	D				469
USB Interface							U	U	U	U	U				469
<b>3 WEIGHT &amp; MEASURE KIT</b>															
None												0			0
W&M-KIT												4			278
<b>4 POWER OPTION</b>															
120VAC, North American Plug														A	0
230VAC, Schuko														B	0



## IND890SQC Configured Accessories

Material Number	Material Description	Order Notes	List Price (CAD)
<b>Accessory</b>			
22020339	Com1-3 RS232 cable set IND890		605
<b>Brackets</b>			
22020286	VESA mount 100mm x 100mm	Tilt / swivel bracket for IND890	395
<b>Cables</b>			
22017614	Cable M12 Ethernet-RJ45 20m	Cable M12 Ethernet RJ45; 20 m / 66 ft	204
22017610	Cable M12 Ethernet-RJ45 5m	Cable M12 Ethernet RJ45; 5 m / 16 ft	229
22017604	Cable M12 USB type A 0.2m	Cable M12 USB Female Type A, USB host, 0.2 m / 0.7 ft	178
22017608	Cable M12 USB type A 3m	Cable M12 USB Female Type A, USB host, 3 m / 10 ft	174
<b>Cables (always delivered with straight M12 plug)</b>			
22017602	Cable M12 RS232-SICS Scale		187
22017601	Cable M12 RS232-SUB-D9P	Cable M12 RS232 Female Sub D 9 pin (crossed; used for PC). Cannot be used in conjunction with the ICS__9 f-Version	194
22017603	Cable M12 RS485/422 -open		158
<b>Covers</b>			
22020297	Dust Cover M12 (10pcs.)		152
<b>Miscellaneous</b>			
22020298	Analog Scale IND890		790
<b>Plugs IP67* (M12 plug) * Supplied as IP67</b>			
22022056	3et RS232 Counter Plug (8pin,M12)	RS232 Counter Plug (8pin, M12)	215
22022058	Set ETH Counter Plug (4pin,M12)	Ethernet Counter Plug (4pin, Coding D, M12)	167
22022059	Set USB Counter Plug (4pin,M12)	USB Counter Plug (4pin, Coding A, M12)	186
<b>Software</b>			
22022733	SQC-890 retrofit kit	Includes WINCE PRO, SD Card, dongle, CD	call
<b>Various</b>			
22023528	Cable M12 RS232-RS232	Cable 2xM12 SICS-connection 3.0 m (cross)	353
22022783	Digital I/O Interface IND890	Interface module 4I/O	790
22020303	Ethernet Interface IND890		660
22020299	IDNet Interface IND890 (Acc)		650
22020300	RS232 Interface IND890		645
22020301	RS422 Interface IND890		645
22020316	RS485 Interface IND890		645
22021765	Sealing-set IND890	Calibration kit complete W & M IND890	294
22020315	SICS-Scale-RS232-IND890		660
22020302	USB Interface IND890 (Acc)		645
22022772	WLAN Interface IND890	Wireless interface WLAN	1,250

Consultative

# Statistical Quality Control

## ICS689REM

### Excellence in SQC

#### Robust and Reliable SQC Terminal

Industrial terminal for direct connection to the networked FreeWeigh.Net® quality control system. Complete Testplace solution for one scale.

#### Compact Solution for Wet Environment

IP69k compliant stainless steel housing is ideal for use in wet and challenging environment. Standard built-in Ethernet interface.

#### Efficient Quality Data Acquisition

Quick selection of product and start of random sample for net content control and attributive data. Immediate feedback with updated statistics.

[www.mt.com/ics689](http://www.mt.com/ics689)

CONTACT THE ADVANCED SOLUTIONS GROUP (ASG) CONSULTANTS FOR ASSISTANCE

#### Standard Features

- The flat surface and waterproof stainless steel enclosure allow for simple and thorough cleaning in line with EHEDG and NSF guid
- Designed for connection to FreeWeigh.Net networked environment where wash down requirements must be met.
- IP69k and EHEDG/NSF compliant
- Built-in terminal firmware

Material Number	Description	Order Notes	List Price (CAD)
30240603	Weighing Terminal ICS689	See ICS689 Page in the Terminals Section for Configuration Options	2,010

Please see the ICS689 terminal page (Pg XXX) to configure and price the ICS689REM unit. Select either the analog or IDNet "REM" version in the base model in the configuration to create a remote unit for FreeWeigh.Net

# Consultative **Formulation** **FormWeigh.Net®**

## **Best Blend and Quality**

### **For Fast and Perfect Mixtures**

Ideal solution to have recipe processes under control and to minimize waste of valuable raw materials. Scalable system with centralized database.

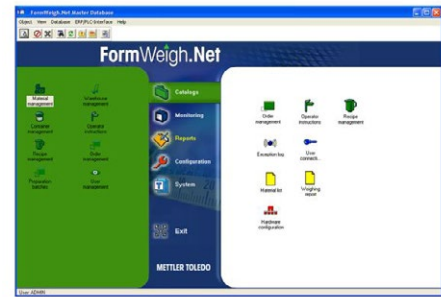
### **System Benefits**

Seamless and traceable documentation of the work process. Guided dispensing and production. Raw material verification before usage.

### **Regulated Industries**

Complies with stringent requirements of the pharmaceutical industry. Ready for US FDA 21 CFR Part 11 compliant operation.

[www.mt.com/formweighnet](http://www.mt.com/formweighnet)



**Contact Advanced Solutions Group for quotes**



# Printers and Peripherals

## APR310 Ticket Printer

### Fast, Compact, Flexible

#### Blazing Fast Ticket Printing

The APR310 is a fast ticket and or slip printer for printing multi-part documents up to 42 columns in width.

#### Compact, Powerful Design

Saves space without sacrificing performance or flexibility, the APR310 will satisfy the most demanding customer requirements.

#### Total Control

The simple to operate control panel make the printer ideal for applications in scale houses, offices or at shipping and receiving docks.

[www.mt.com/printers](http://www.mt.com/printers)



#### Standard Features

- Dimensions: 5.4" x 7.1" x 7.5" (H x W x D)
- Weight: 4.6 lbs
- Print Width: 2.5"
- Ink Ribbon: Cartridge Cassette
- Paper Width: 3.15" (min), 7.15" (max)
- Power: 100-240 VAC, 50/60 Hz
- Communication: 25-pin Serial RS-232

Material Number	Legacy Number	Description	Printer Type	Print Speed	Communication	Shipping Weight	List Price (CAD)
64058701	64058701		Serial Impact Dot Matrix	3 lines per second	Serial (RS-232 standard), 25 pin	7 lb	2,090

### APR310 Ticket Printer Accessories

Material Number	Material Description	Order Notes	List Price (CAD)
<b>Cables</b>			
64005248	6ft RS232 BI-DIRECT CBL	6 ft RS232 Cable DB25 - DB25. For legacy scales and indicators.	119
64005555	Cable, 15 ft, RS232, DB9F - DB25M	15 ft RS232 Cable; IND221, IND231, ICS241, BBA231	120
64005556	RS232 DB25 Cable	15 ft RS232 Cable, Open to DB25; IND780, IND570, IND560, IND246, IND236, IND226	119
30029401	M12 Cable, Printer Cable, Bend 90°	Printer Cable, 90 Degree, 8 Pin M12 to DB25; For ICS Front-Mount Terminals, IND890	202
30029400	M12 Cable, Printer Cable, Straight	Printer Cable, straight, 8 Pin M12 to DB25; For ICS Terminals, IND890	199
503755	RS232 cable/DCE	10 ft RS232 Cable, DIN - DB25; ID7, IND690	183
64010779	Access, Cable 15FT	15ft RS232 Cable, DB9-DB25; For BBA, viper, balances. Requires a female to female adapter	119
229050	LC-RS25	6 ft Cable; Cable Local CAN	314
<b>Printer Ribbon</b>			
64058790	RIBBON, BLACK, for APR310	Ribbon Cartridge, Black Ink	33
61023472	Printer Tickets 500 per carton	Truck Scale Tickets - 3 ply	148
<b>Bluetooth Connectivity</b>			
30385723	ACM360-M1 Bluetooth Adaptor	Wireless alternative to cables. See pg. 75	245

# Printers and Peripherals

## APR510 Label Printer

### APR510 compact label printer

#### Affordable and easy to use

Direct operator interface and quick loading media make for easy use. Reducing media change time means more productivity and fast return on investment.

#### Simple Set Up

Wired or wireless options and an ability to sense printer languages means it's easy to replace existing printers, or merge a new printer into your system.

#### Economical Operation

Minimal power use, stationary printhead, economical high-capacity ribbons and individual label printing helps reduce operations costs.

[www.mt.com/printers](http://www.mt.com/printers)



#### Standard Features

- Dimensions: 8.0" x 7.4" x 11.1" (H x W x D)
- Weight: 5.3 lbs
- Max Print Width: 4.15" (300 dpi), 4.25" (203 dpi)
- Ink Ribbon Core Diameter: 0.5" or 1.0"
- Label Core Diameter: 1.0" (min), 1.5" (max)
- Max Label Roll Diameter: 5"
- Power: 100-240 VAC, 50/60Hz
- Housing: Plastic

#### Supported Barcodes

USD-8; UPS MaxiCode; UPC-E; UPC-A; UPC 2- and 5-digit addendums; TLC39; Telepen; RSS; QR Code; Postnet UCC/EAN; Plessey; PDF417; Micro PDF417; K-Mart NON EDI barcode; Interleaved 2 of 5; HIBC; GS1 Databar; FIM; EAN-13; EAN 8; EAN 16; EAN 128; Datamatrix; Code 93; Code 39 2kb; Code 3 of 9; Code 2; Code 128; Codabar; Aztec; 5 digit UPC addendum; 2 digit UPC addendum

#### Communication

9-pin Serial RS-232; USB 2.0; Parallel Bi-directional; 10/100 BaseT Ethernet

#### Media Type

Roll-fed; Perforated tag/ticket stock; Fan-fold; Die-cut labels; Continuous stock; Continuous labels

Material Number	Legacy Number	Printer Type	Printing Resolution	Print Width	Dimensions (D x H x W)	List Price (CAD)
64090258	64090258	Direct Thermal	300 dpi (12 dots per mm)	4.16 in / 106 mm	11.1 in x 7.36 in x 8.01 in / 282 mm x 187 mm x 203.5 mm	2,210
64090256	64090256		203 dpi (8 dots per mm)	4.25 in / 108 mm		1,725
64090259	64090259	Thermal Transfer	300 dpi (12 dots per mm)	4.16 in / 106 mm		2,380
64090257	64090257		203 dpi (8 dots per mm)	4.25 in / 108 mm		2,005

## APR510 Printer Accessories

Material Number	Material Description	Order Notes	List Price (CAD)
<b>Cables</b>			
64010779	Access, Cable 15ft 9pin to 25pin, RS232;	15 ft RS232 Cable. DB9-DB25; For legacy indicators	119
21302921	9 pin Male to 9 pin Male, 15 ft cable	For use with Viper, BBA4xx, Balances	174
21254225	RS232c cable DB9/M-Open	For use with IND780, IND570, IND246, IND236, IND226	146
30127057	M12 Cable RS232 3m for APR printers	For all ICS scales except front mounted setup	199
30190794	Cable, PC, 9pin	For use with IND221, IND231, ICS241, PC	247
64005555	PC 9 Cable for use with LabelBlazer	Requires 25 pin to 9 pin adaptor Part Number 63052030 (\$25)	120
229050	LC-RS25	6 ft Cable Local CAN	314
30029401	90 degree M12 - 9pin Cable, Bend	For use with Front mount ICS Indicators	202
22017602	M12 - 9pin Male, RS232-SICS Scale Cable	For use with IND890	187
<b>Industrial Software</b>			
64088849	LabelBlazer for Printers	Requires 64005555 LabelBlazer cable	690
<b>Labels</b>			
30126439	Label, DT, APR510, 4x3	1 roll, 500 labels per roll	109
30126471	Label, TT, APR510, 4x3	1 roll, 500 labels per roll	107
30126438	Label, TT, APR510, 4x4	1 roll, 375 per roll	11
30126437	Label, TT, APR510, 4x6	1 roll, 250 per roll	123
30126481	Label, DT, APR510, 4x4	1 roll, 375 per roll	191
30126480	Label, DT, APR510, 4x6	1 roll, 250 per roll	176
30126470	Label, TT, Synthetic, 1"ID/4"ODcore, APR510, 2x1	1 roll, 1125 per roll	108
30126436	Label, TT, Synthetic, 1"ID/4"ODcore, APR510, 4x3	1 roll, 400 per roll	79
<b>Miscellaneous</b>			
64088783	INTERNAL REWIND OPT, OPT78-2735-02		690
30092637	Battery Kit	MPU-4000 Mount Rechargeable Battery Pack	1,050
30092630	Cutter Kit	Guillotine, With Sensor	1,095
<b>Printer Ribbons</b>			
30126482	RIBBON, wax/resin, APR510, 4.33Wx360'L	Sold by Individual roll, 4.33" width by 360' length	47
<b>Bluetooth Connectivity</b>			
30385723	ACM360-M1 Bluetooth Adaptor	Wireless alternative to cables. See pg. 75	245

# Printers and Peripherals

## APR710 Label Printer

### Speed & Rugged Reliability

#### Fail-safe Operation

Side window for instant assessment of label stock allows media to be replaced before work is interrupted.

#### Easy set-up

Straightforward media loading and routing with a variety of options like a peel-and-present mechanism, and a cutter tray ensemble.

#### Connectivity & Simple Operator Interface

High-speed interfaces. Optional wired or wireless Ethernet connectivity. Easy to operate, menu-driven LCD display.

[www.mt.com/printers](http://www.mt.com/printers)



#### Standard Features

- Dimensions: 10.3" x 9.8" x 18.1" (H x W x D)
- Weight: 27 lbs
- Max Print Width: 4.25"
- Ink Ribbon Core Diameter: 1.0"
- Label Core Diameter: 1.5" (min), 3.0" (max)
- Max Label Roll Diameter: 8"
- Power: 90-204 VAC, 47/63 Hz
- Housing: Metal

#### Supported Barcodes

USD-8; UPC-E; UPC-A; UPC 2- and 5-digit addendums; TLC39; Telepen; QR Code; Plessey; PDF417; Micro PDF417; Interleaved 2 of 5; HIBC; FIM; EAN-13; EAN 8; Datamatrix; Code 93; Code 3 of 9; Code 128; Aztec

#### Communication

9-pin Serial RS-232, USB, Centronics® parallel interface

#### Media Type

Roll-fed; Perforated tag/ticket stock; Fan-fold; Die-cut labels; Continuous stock; Continuous labels

Material Number	Legacy Number	Material Description	Printer Type	Printing Resolution	Print Speed	Dimensions (D x H x W)	Shipping Weight	List Price (CAD)
64068858	64068858	PRINTER,DIR THERMAL,203 DPI,10 IPS	Direct Thermal	203 dpi (8 dots per mm)	10 in/sec / 25 cm/sec	18.06 in x 10.3 in x 9.8 in / 459 mm x 249 mm x 202 mm	40 lb	2,810
64068859	64068859	APR710 - HvyDuty 203dpi TTLP, 10IP	Thermal Transfer					2,970
64068861	64068861	PRINTER,THERMAL TRANS,300 DPI,8 IPS		300 dpi (12 dots per mm)	8 in/sec / 20 cm/sec			3,775



## APR710 Label Printer Accessories

Material Number	Material Description	Order Notes	List Price (CAD)
<b>Cables</b>			
64010779	Cable, 15 ft, RS232, DB9M - DB25M, Spider To 8861	15 ft RS232 Cable, DB9 - DB25; For legacy scales and indicators with a 25 pin connector	119
229050	LC-RS25	6 ft Cable Local CAN	314
64005555	PC 9 CBL, Cable for use with LabelBlazer	Requires 25 pin to 9 pin adaptor Part Number 63052030 (\$25)	120
30029401	Cable with 90 degree connector on the ICS side	For Frontmount ICS indicators	202
21302921	Cable RS9-RS25 (M/F) 2m	RS232 Cable, DB9-DB9. For BBA4xx, Viper, and Balances	174
21254225	RS232c cable DB9/M-Open	For use with IND780, IND570, IND246, IND236, IND226	146
30127057	M12 Cable RS232 3m for APR printers	For all ICS scales except front mounted setup	199
30190794	Cable, PC, 9pin	For use with IND221, IND231, ICS241	247
<b>Industrial Software</b>			
64088849	LabelBlazer for Printers	Requires 64005555 cable	690
<b>Labels</b>			
30126456	Label, DT, APR710, 4x2.5	1 roll, 2500 per roll	64
30126464	Label, DT, APR710, 4x3	1 roll, 2000 per roll	60
30126455	Label, DT, APR710, 4x4	1 roll, 1500 per roll	167
30126457	Label, DT, APR710, 4x6	1 roll, 1000 per roll	91
30126468	Label, TT, APR710, 4x3	1 roll, 2000 per roll	31
30126469	Label, TT, APR710, 4x4	1 roll, 1500 per roll	43
30126467	Label, TT, APR710, 4x6	1 roll, 1000 per roll	52
30126466	Label, TT, APR710, 4"x2.5"	1 roll, 2500 per roll	30
<b>Miscellaneous</b>			
64088783	INTERNAL REWIND OPT,OPT78-2735-02		690
63080107	Direct Thermal to Thermal Transfer Conversion Kit	Only good for APR710	365
<b>Spare Parts</b>			
63080068	KIT PEEL&PRESENT 203DPI		560
63080108	KIT PEEL&PRESENT 300DPI		680
<b>Bluetooth Connectivity</b>			
30385723	ACM360-M1 Bluetooth Adaptor	Wireless alternative to cables. See pg. 75	245

# Printers and Peripherals

## APR331 Label Printer

### Stainless Steel Hygiene and Durability

#### Save Time & Reduce Contamination

Stainless steel housing and optional rubber cap to seal the paper slot facilitates fast, thorough, and easy cleaning

#### Ergonomic & Flexible

Small size, cube-shaped housing, and compact internal components allow the printer to be placed in multiple areas and orientations

#### Simple & Fast Operation

Replace the paper roll in just a few quick steps. Full or partial cuts prevent printout loss and maintain traceability

[www.mt.com/APR331](http://www.mt.com/APR331)



#### Standard Features

- Dimensions: 3.5" x 6.1" x 7.5" (H x W x D)
- Weight: 5.5 lbs
- Max Print Width: 2.4"
- Print Speed: 5.5 in/sec
- Print Method: Direct Thermal
- Resolution: 203 dpi (8 dots/mm)
- Power: 100-240 VAC, 50/60 Hz
- Housing: Stainless Steel

#### Supported Barcodes

Code 39, Code 128, EAN13

#### Communication

Serial RS-232

#### Media Type

Thermal paper (single or continuous label)

Material Number	Legacy Number	Material Description	Printer Type	Printing Resolution	Print Speed	Dimensions (D x H x W)	Shipping Weight	List Price (CAD)
30452312	505471	Label printer APR331	Direct Thermal	203 dpi (8 dots per mm)	5.5 in/sec / 14 cm/sec	3.5 in x 6.1 in x 7.5 in	5.5 lb	2,700

Base Model										
A	P	R	3	3	1	0	0	A	0	APR331 Label Printer with DB9F Serial Communication
-	-	-	-	-	-	-	-	-	-	<b>Connection Cable</b>
-	-	-	-	-	-	-	-	-	-	A 0 0 No connecting cable
-	-	-	-	-	-	-	-	-	-	B 0 0 RS232 (D-Sub/M12, angled, 0.5m)
-	-	-	-	-	-	-	-	-	-	C 0 0 RS232 (D-Sub/M12, angled, 3m)
-	-	-	-	-	-	-	-	-	-	D 0 0 RS232 (D-Sub/M12, straight, 0.5m)
-	-	-	-	-	-	-	-	-	-	E 0 0 RS232 (D-Sub/M12, straight, 3m)
-	-	-	-	-	-	-	-	-	-	F 0 0 RS232 (D-Sub/M16 Binder, 1.5m)
-	-	-	-	-	-	-	-	-	-	C 0 0 RS232 (D-Sub/open cable ends)
-	-	-	-	-	-	-	-	-	-	<b>Power Option</b>
-	-	-	-	-	-	-	-	-	-	A 120VAC, US Plug
-	-	-	-	-	-	-	-	-	-	<b>Market Option</b>
-	-	-	-	-	-	-	-	-	-	0 0 0 Global
A	P	R	3	3	1	0	0	A	0	A 0 0 0

## APR331 Configured Options

A	P	R	3	3	1	0	0	A	0				A	0	0	0
---	---	---	---	---	---	---	---	---	---	--	--	--	---	---	---	---

Material Description	1	2	3	Order Notes	List Price (CAD)
APR331 No connecting cable	A	0	0		0
APR331 (D-Sub/M12, angled, 0.5m)	B	0	0		66
APR331 (D-Sub/M12, angled, 3m)	C	0	0		109
APR331 (D-Sub/M12, straight, 0.5m)	D	0	0		75
APR331 (D-Sub/M12, straight, 3m)	E	0	0		75
APR331 (D-Sub/M16 Binder, 1.5m)	F	0	0		136
APR331 (D-Sub/open cable ends)	G	0	0		75

## APR331 Configured Label Printer Accessories

Material Number	Material Description	Order Notes	List Price (CAD)
<b>Cables</b>			
30442302	RS232 cable for ICS4_9 / ICS689	M12 angled 0.5m	158
22021087	RS232 cable for ICS4_9 / ICS689	M12 angled 3m	178
30423304	RS232 cable for ICS4_5 / ICS685	M12 straight 0.5m	174
22017602	RS232 cable for ICS4_5 / ICS685	M12 straight 3m	187
21254225	RS232 cable for IND570 / IND780	Open cable ends, 1.5m	146
410024	RS232 cable for connecting APR331 to serial interface of PC	D-Sub 9 m/f, 1.8m	163
<b>Paper</b>			
503702	Thermal paper (single)	L = 40m, W = 62.5mm, 24 rolls	345
<b>Mounting Bracket</b>			
30449054	Wall bracket, stainless	For wall mounting of the APR331	281
<b>Bluetooth Connectivity</b>			
504179	Cleaning pens	10 pcs	163
30449055	Protecting cap	Rubber plug for paper slot, 5 pcs	42

# Printers and Peripherals

## 8808 Ticket Printer

Applied

### Heavy-Duty Ticket and Label Printer

#### Versatile

Used for tickets and multipart forms up to 5 parts (1 original and 4 copies)

#### Easy to Use

A straightforward operator interface and quick-loading media make for trouble-free use.

#### Compatibility with Mettler Toledo products

An ideal complement to Mettler Toledo's wide array of industrial terminals and scale bases.

[www.mt.com/printers](http://www.mt.com/printers)

#### Standard Features

- Dimensions: 7.3" x 9.9" x 10.5" (H x W x D)
- Weight: 11 lbs
- Max Print Width: 4.25"
- Ink Ribbon: Snap-in endless loop cartridge
- Paper Size: 2.8" x 2.8" (min), 8.3" x 11.7" (max)
- Power: 100-240 VAC, 50/60 Hz
- Communication: 25-pin Serial RS-232



Material Number	Legacy Number	Material Description	Printer Type	Print Speed	Communication	Shipping Weight	List Price (CAD)
64041785	88080001000	Ind Printer, 88080001000	Impact Dot Matrix	233 characters per second	R232C	12 lb	2,780

### 8808 Label Printer Accessories

Material Number	Material Description	Order Notes	List Price (CAD)
<b>Cables</b>			
64005248	6ft RS232 BI-DIRECT CBL	6 ft RS232 Cable DB25 - DB25; For legacy indicators	119
64005555	PC 9 CBL	Used for IND221, IND231, BBA231, ICS241, Wildcat, Hawk	120
30029401	M12 Cable, Printer Cable, Bend	Printer Cable, 90 Degree, 8 Pin M12 to DB25; For ICS front mount models	202
30029400	M12 Cable, Printer Cable, Straight	Printer Cable, straight, 8 Pin M12 to DB25; For ICS models	199
503755	RS232 cable/DCE	10 ft RS232 Cable, DIN - DB25; For ID7, IND690	183
229050	LC-RS25	6 ft Cable Local CAN	314
64010779	Access, Cable 15FT	15ft RS232 Cable, DB9 - DB25 (Requires Male to Male adapter); BBA4xx, Spider, Viper	119
64005556	RS232 DB25 CABLE	15 ft RS232 Cable, Open to DB25; For IND780, IND570, IND246, IND236, IND226	119
<b>Bluetooth Connectivity</b>			
30385723	ACM360-M1 Bluetooth Adaptor	Wireless alternative to cables. See pg. 75	245

# Printers and Peripherals

## 8857 Strip Printer



### Compact, Fast, and Reliable

#### Print Security

Because it is an impact printer, the printed results will not fade over time like a thermal printer. Your important results are safe for later reference.

#### Simple to use

Drop-in auto-paper loading and few moving parts make this a durable and easy-to-use printer.

#### Dependable

Long-Life, 9-pin printhead

[www.mt.com/printers](http://www.mt.com/printers)

#### Standard Features

- Dimensions: 5.2" x 6.3" x 10.0" (H x W x D)
- Weight: 5 lbs
- Print Width: 2.5"
- Ink Ribbon: Snap-in endless loop cartridge
- Paper Width: 3"
- Power: 100-200 VAC, 50/60 Hz
- Communication: 25-pin Serial RS-232

Material Number	Legacy Number	Material Description	Printer Type	Print Speed	Communication	Shipping Weight	List Price (CAD)
65026401		STRIP PRINTER - 100-240VAC 50/60 Hz	Impact Dot Matrix	4.7 lines per second	RS232 DB25f serial interface, 4800 or 9600 baud	7 lb	1,285

### 8857 Strip Printer Accessories

Material Number	Material Description	Order Notes	List Price (CAD)
<b>Cables</b>			
64005248	6ft RS232 BI-DIRECT CBL	6 ft RS232 Cable DB25 - DB25; For legacy products	119
64005555	PC 9 CBL 9 pin to 25 pin	Used for IND221, IND231, BBA231, ICS241, Wildcat, Hawk	120
30029401	M12 Cable, Printer Cable, Bend	Printer Cable, 90 Degree, 8 Pin M12 to DB25	202
30029400	M12 Cable, Printer Cable, Straight	Printer Cable, straight, 8 Pin M12 to DB25	199
503755	RS232 cable/DCE	10 ft RS232 Cable, DIN - DB25; For ID7, IND690	183
229050	LC-RS25	6 ft Cable	314
64010779	Access, Cable 15FT	15ft RS232 Cable, DB9 - DB25; For BBA4xx, Viper, Spider; Requires male to male 9pin adapter purchased locally	119
64005556	RS232 DB25 CABLE	15 ft RS232 Cable, Open to DB25	119
<b>Paper</b>			
68006785	082294CAS PAPER ROLL, 2 PLY	1 case, 50 rolls per case	397
68017757	Paper 3 Ply Roll	single roll	26
64089289	PAPER ROLL, 3 x 3"	1 case of 50 rolls	408
68000936	PAPER, SINGLE PLY ROLL	single roll	25
<b>Ribbon</b>			
68006211	RIBBON, 8857	8857 Ribbon Cartridge, Black Ink	31
<b>Bluetooth Connectivity</b>			
30385723	ACM360-M1 Bluetooth Adaptor	Wireless alternative to cables. See pg. 75	245

# Printers and Peripherals

## Okidata Microline 320 Form Printer

### Reliable, low-cost impact printing

#### Built Rugged and Reliable

It can run twice as long as other printers in it's class.

#### Accommodates your growing business.

Compatible with virtually all custom and off-the-shelf software.

#### Zero tear and auto park

Helps to eliminate wasted forms

[www.mt.com/printers](http://www.mt.com/printers)



#### Standard Features

- Dimensions: 4.6" x 15.7" x 13.6" (H x W x D)
- Weight: 17 lbs
- Print Width: 8"
- Ink Ribbon: Snap-in endless loop cartridge
- Paper Width: 10"
- Power: 120-240 VAC, 50/60 Hz
- Communication: 25-pin Serial RS-232, Parallel, Network RJ45

Material Number	Legacy Number	Material Description	Print Speed	Shipping Weight	List Price (CAD)
64049848	90877800A	Okidata Microline 320 Turbo	300 characters per second	18 lb	1,575

### Okidata Microline 320 Form Printer Accessories

Material Number	Material Description	Order Notes	Shipping Weight	List Price (CAD)
<b>Cables</b>				
64005248	6ft RS232 BI-DIRECT CBL	6 ft RS232 Cable DB25 - DB25; For legacy scales and indicators		119
64005555	PC 9 CBL 9 pin to 25 pin connector	Used for IND221, IND231, BBA231, ICS241, Wildcat, Hawk		120
30029401	M12 Cable,Printer Cable,Bend	Printer Cable, 90 Degree, 8 Pin M12 to DB25; for ICS models		202
30029400	M12 Cable,Printer Cable,Straight	Printer Cable, straight, 8 Pin M12 to DB25; For ICS models		199
503755	RS232 cable/DCE	10 ft RS232 Cable, DIN - DB25; For IND690		183
229050	LC-RS25	6 ft Cable Local CAN		314
64010779	Access,Cable 15FT	15ft RS232 Cable, DB9 - DB25; For BBAX, Viper, Balances		119
64005556	RS232 DB25 CABLE	15 ft RS232 Cable, Open to DB25; For IND780, IND570, ACM500, IND246, IND236, IND226		119
<b>Spare Parts</b>				
61023472	PRINTER TICKETS 500 per carton	3 ply	18 lb	148

# Printers and Peripherals

## ACM360 Bluetooth Adaptor

Applied

### Versatile Wireless Solution

#### Simple Design

Converts RS232 to Bluetooth 4.1 allowing wireless communication between devices for a multitude of usage options

#### Standard Features

- Bluetooth 4.1
- Link up to 5 devices to a single device
- No independent power source needed
- IP54/IP65 rated
- Minimum 10m range
- LED status indicator
- One-key functionality

**Avg. Power Consumption** 50mW

**Communication Port** RS232

**Included Accessories** Bracket and DB9 Converter



Material Number	Description	Plug Type	ACM360 Version Protection Rating	Order Notes	List Price (CAD)
30385722	ACM360-D1	DB9 female	IP54	Universal use	245
30249661	DB9 Converter Cable	DB9 male to male		0.5m	0
30385728	Mounting Bracket				0
30385723	ACM360-M1	M12 male	IP65	ICS4/ICS6	245
30385728	Mounting Bracket				0

### ACM360 Accessories

Material Number	Description	Order Notes	List Price (CAD)
22017602	DB9 Extension Cable	DB9 male plug to M12 male plug, 3m	187
71160007	DB9 Extension Cable	DB9 male plug to DB9 female plug, 1.8m	89
30388630	DB9 Converter	DB9 male plug to DB9 male plug	25
139537	9-pin to 25-pin Adapter Cable	DB9 male plug to DB25 male plug, 1.5m	13

# Printers and Peripherals

## ADI150, 155, 550 Scoreboards

### Remote Weight Display

#### Highly Visible Weight Display

The ADI Scoreboard uses bright red LEDs to display up to six characters, plus designators for weight units (lb/kg/T/l) and gross/net weighing.

#### Rugged Design

The scoreboard has a durable aluminum enclosure. It is intended for use both indoors and in harsh outdoor environments.

#### Multi-Drop Capability

Multiple scoreboards can be connected in series to display the same weight reading or display different axle weights from a multiplatform scale.

[www.mt.com/VEH\\_ADI\\_ScoreBoard](http://www.mt.com/VEH_ADI_ScoreBoard)



#### Approvals

- UL/cUL
- UL / CE
- Environmental Protection: Harsh environment enclosure, Type 4 (IP56)

#### Standard Features

- Communication Protocols: Single, METTLER TOLEDO continuous, Multi-Drop, Continuous template, Continuous extended\*
- GROSS/NET designation
- Input: 20 mA current loop, RS232, and RS422 (Compatible with METTLER TOLEDO RS485 Multi-Drop)
- No setup required with baud rate auto-detect which also provides for easy connection
- lb/kg designation (or same as the indicator)
- Six (120 mm / 4.7 in) LED digits
- Bright red display with four intensity settings
- A fixed 3m power cable, 15m communication cable and wall/column mounting bracket included
- ADI150 Dimensions (WxHxD) - 34" x 7.4" x 2.3" (25 lbs.)

#### Accessories

- Pole Mounting Kits

#### Protection Rating

IP 56

#### Optional Versions

- Wireless connectivity for ADI155
- Integral red/green traffic light for ADI550



ADI155



ADI550

Material Number	Description	Character Height	Model Specific Features	List Price (CAD)
30184355	ADI150	4.7 in / 120 mm	Wired serial connection	1,930
30217121	ADI155		Wireless communication (with supplied RF100 transmitter) ≤ 165 ft	3,410
30184209	ADI550		Red/Green Traffic Light Option	2,385

\* Check communication protocols of competitive indicators for compatibility

#### Pole Mounting kits - Pole not included

Material Number	Description	List Price (CAD)
30232836	For 3 - 3½ in diameter pole	350
30240287	For 4½ in diameter pole	350
30240288	For 5 in square pole	350

#### Bluetooth Connectivity

30385723	ACM360-M1 Bluetooth Adaptor	Wireless alternative to cables. See pg. 75	245
----------	-----------------------------	--	-----

Effective July 1, 2018 Prices Subject to Change



# Printers and Peripherals

## ADI Scoreboards



### Remote Weight Display

#### Highly Visible Weight Display

The ADI Scoreboard uses LEDs to display up to six characters, plus designators for weight units (lb/kg/T/l) and gross/net weighing.

#### Rugged Design

The scoreboard has a durable enclosure made of a powder-coated aluminum alloy. It is intended for use outdoors and in harsh environments.

#### Multi-Drop Capability

Multiple scoreboards can be connected in series to display the same weight reading or display different axle weights from a multiplatform scale.

[www.mt.com/VEH\\_ADI\\_ScoreBoard](http://www.mt.com/VEH_ADI_ScoreBoard)



#### Approvals

- UL/cUL
- UL / CE
- Environmental Protection: Harsh environment enclosure, Type 4 (IP56)

#### Standard Features

- Communication Protocols: METTLER TOLEDO continuous, Multi Drop
- GR/NT designation
- Input: 20 mA current loop, RS232, and RS422 (Compatible with Mettler Toledo RS485 Multi-Drop)
- Integral sun shade
- LB/KG designation
- Six (100 mm) LED digits
- Super bright display with dual intensity setting
- Universal bracket mounting options
- Rugged enclosure

#### Accessories

- Integral red/green traffic light for 4" and 6" scoreboards
- Wireless connectivity

#### Protection Rating

IP 65



Material Number	Description	Character Height	Communication	List Price (CAD)
61042037	ADI210	2 in / 5 cm	wired serial connection	1,675
61043160	ADI215		Wireless comm - 1/2 mile line of sight	3,200



Material Number	Description	Character Height	Communication	List Price (CAD)
61038718	ADI310	4 in / 10 cm	wired serial connection	3,035
61041417	ADI315		Wireless comm - 1/2 mile line of sight	4,350



Material Number	Description	Character Height	Communication	List Price (CAD)
61040386	ADI410	6 in / 15 cm	wired serial connection	3,885
61041418	ADI415		Wireless comm - 1/2 mile line of sight	5,190



Material Number	Description	Character Height	Notes	List Price (CAD)
61040223	ADI320	4 in / 10 cm	With integrated red/green stoplight and	3,985
61040387	ADI420	6 in / 15 cm	wired serial connection	4,940

#### Bluetooth Connectivity

30385723	ACM360-M1 Bluetooth Adaptor	Wireless alternative to cables. See pg. 75	245
----------	-----------------------------	--	-----

# Signal Amplifiers/Accessories

## IND110



### Load Cell Signal Converter

#### Basic signal for simple process control

IND110 converts the signal from up to 4-350 Ohm analog load cells to a standard 4-20 mA output that can be directly interfaced with control equipment.

#### Digital Filtering

Increases accuracy across the entire weight range. Beneficial in applications influenced by vibration.

#### Compact size and flexible installation

DIN rail mountable. Optional stainless and Ex enclosures available for harsh or hazardous areas. Designed to operate within a wide DC voltage range.

#### Explosion Proof Enclosure

Safety install in classified areas. Remote sense input provides load cell cable resistance compensation allowing use with Mettler-Toledo ISB 15/ISB15x.

[www.mt.com](http://www.mt.com)



#### Standard Features

- Type 7/9 enclosure (64053672)
- Stainless steel enclosure 64053670 fits one power supply 64053820 and one IND110 on a DIN rail
- Software calibration using DIP switches to enable setup and push buttons for adjustments on front panel
- Requires an isolated, Class 2 rated, 24 VDC, (min 300mA) Power Supply (available separately)
- Provides 10 volts load cell excitation, powering up to four 350 ohm load cells
- Low-level and high-level discrete outputs (one each), open-collector type, 5 to 25 VDC
- Error monitoring of loss of scale data
- DIN rail mountable module (71208076)
- Digital filtering across entire weight range minimizes affects of vibration on weighing
- Converts analog strain gauge load cell signal to 4 to 20mA analog process signal, commonly used with a PLC
- Can be used with intrinsic safety barriers ISB15 or ISB15X

#### Approvals

#### Installation

#### Outputs

- UL, cUL, CE marked (UL file E139501 for module, E152336 for Type 7/9 enclosure)
- DIN
- 4-20mA



Material Number	Description	Protection Rating	Dimensions (D x H x W)	Hazardous Approval	Quantity	Shipping Weight	List Price (CAD)
71208076	IND1100000	IP20	2.2 in x 2.9 in x 3.9 in / 57 mm x 74 mm x 100 mm	N/A	1 pcs	2.2 lb	700
64055107	IND1100006				Multiples of 6		3,355

#### Explosion Proof Enclosure



Material Number	Description	Protection Rating	Dimensions (D x H x W)	Hazardous Approval	Quantity	Shipping Weight	List Price (CAD)
64053672	IND110 in Type 7/9 enclosure (for hazardous areas)		6.8 in x 7.8 in x 7 in / 172 mm x 197 mm x 178 mm	UL: Class I, Div 1, Groups C-D, Class II, Div 1, Groups E-G	1 pcs	22 lb	1,465

## IND110 Accessories

Material Number	Material Description	Order Notes	Shipping Weight	List Price (CAD)
64053670	ENCLOSURE 4X SS IND110/A100	Enclosure Only	5.5 lb	430
64053820	POWER SUPPLY A100/IND110/IND130	24 V feed for ARM100		264

# Signal Amplifiers/Accessories

## A100 Analogue Output Module

### MTContinuous Signal Converter

#### Basic signal for simple process control

The A100 converts a MTContinuous or SICS serial string into a 4-20mA output that can be directly interfaced with control equipment.

#### Connections

Able to connect via RS-232, RS-485, 20mA current loop, or fiber optic connections.

#### Compact size and flexible installations

DIN rail mountable. Optional stainless and Ex enclosures available for harsh or hazardous areas. Designed to operate within a wide DC voltage range.

[www.mt.com](http://www.mt.com)

#### Standard Features

- Supports RS-232, RS-485, 20mA current loop, and fiber optic inputs\*
- Stainless steel enclosure 64053670 fits one power supply 64053820 and one A100 on a DIN rail
- Simple and fast software calibration using DIP switches to enable setup and push buttons for adjustments on front panel
- Requires an isolated Class 2 rated, 24 VDC Power Supply (available separately 64053820)
- Low-level and high-level discrete outputs (one each), open-collector type, 5 to 25 VDC
- Error monitoring of loss of communication, under zero, and over capacity
- DIN rail mountable module (71208075)
- Converts METTLER TOLEDO serial weight data to a standard 4-20 mA analog output process signal, commonly used with a PLC
- Accepts METTLER TOLEDO Continuous or Standard Interface Command Set (SICS) level 0, send and receive
- A100 power draws 300mA
- UL, cUL, CE marked (UL file E139501 for module, E152336 for Type 7/9 enclosure)

#### Approvals



Material Number	Material Description	Installation	Outputs	Protection Rating	Dimensions (D x H x W)	Shipping Weight	List Price (CAD)
71208075	ANALOG OUTPUT MODULE	DIN	4-20mA	IP20	2.2 in x 2.9 in x 3.9 in / 57 mm x 74 mm x 100 mm	2.2 lb	800

# Signal Amplifiers/Accessories

## ARM100 Digital Input/Output Module



### Digital Input/Output Module

#### Expand control capabilities

ARM100 expands the number of available inputs and outputs when the number available directly from an industrial terminal is insufficient.

#### Compact size and flexible installation

DIN rail mountable. Optional stainless and Ex enclosures available for harsh or hazardous areas. Designed to function within a wide DC voltage range.

#### Built in diagnostics

Clearly visible LED provided for each input and output. Each LED functions independently and together provide constant condition of I/O system.

[www.mt.com](http://www.mt.com)

#### Standard Features

- UL Approval
- Terminal Strip Connectors
- Serial Data Input: Multi-drop RS-485 interface, Module addressable from 1-15, 57,800 baud, 8 data bits, even parity, 1 stop bit
- Requires 24VDC 1A, Class 2 power supply (available separately 64053820)
- Output safety interlocks if no communication exists
- N35 DIN rail mount
- I/O Assignment via the IND570 or IND780 Keypad
- Global approval
- Discrete Outputs: 6 normally open, dry contact relays, Contact rating: 250 VAC or 30 VDC at 1 A maximum, Total current not to ex
- Discrete Inputs: 4 optically isolated solid state inputs, Input voltage range: 5-24 VDC (30 VDC at 40 mA maximum), 4 LEDs indicators
- DIN rail mounting
- Designed for IND570 and IND780 terminal or an IND560x using the ACM500 barrier
- Compact Footprint
- ARM100 power draws 100mA

#### Approvals

- cULus, CE

#### Accessories

- 24VDC 1A, Class 2 power supply (64053820)
- Type 4X stainless steel wall mount enclosure (64053670)

Material Number	Material Description	Installation	Outputs	Protection Rating	Dimensions (D x H x W)	Order Notes	List Price (CAD)
71209352	ARM100 Remote I/O	DIN	24 VDC @ 1.0 A max	IP20	2.2 in x 2.9 in x 3.9 in / 57 mm x 74 mm x 100 mm	ARM100 External relays via RS485	720

# Signal Amplifiers/Accessories

## ARM200 Vehicle Control Interface

### Compatible with IND780Drive or IND780 vehicle applications

#### ARM200 Model Configuration

<b>ARM200</b>	<b>0</b>	<b>0</b>	<b>0</b>	<b>0</b>	<b>0</b>	<b>0</b>	<b>0</b>	<b>0</b>
ARM200	ARM100 (0,1)	Loop Detector (0,1,2)	Serial Isolator (0,1,2)	Manual Switch (0,1,2)	Indicator (0,1,2)	Comm (0,1,2,3)	Relay (0,1,2,3,4,5,6)	Enclosure (0,1)

#### ARM200 Vehicle Control Interface

Order Number	Description	List Price (CAD)
ARM200	11" x 14" x 7" Fiberglass Enclosure Housing input power 100-240 VAC	1,290

#### ARM100 interface

Order Number	Description	List Price (CAD)
0	One ARM100 module, 4 inputs / 6 outputs (DC opto inputs and NO relay outputs)	0
1	Two ARM100 modules, 4 inputs / 6 outputs (DC opto inputs and NO relay outputs)	938

#### Loop Detector I/F

Order Number	Description	List Price (CAD)
0	None	0
1	One dual channel loop I/F, Normal open controls	1,275
2	Two dual channel loop I/F, Normal open controls	2,520

#### Serial Isolator

Order Number	Description	List Price (CAD)
0	No isolator	0
1	1 x RS232 (bi-directional with RS232/485 converter)	775
2	2 x RS232 (bi-directional with RS232/485 converter)	1,540

#### Manual Traffic Light Switches (see notes 4 & 5)

Order Number	Description	List Price (CAD)
0	No manual switches	0
1	Single - Auto plus red/green selector switch	390
2	Dual - Auto plus red/green selector switch	775

#### Traffic Status Indicator Lights (See notes 4 & 5)

Order Number	Description	List Price (CAD)
0	No indicator lights	0
1	Single - red & green LED lights	390
2	Dual - red & green LED lights	775

**Communication Interface**

Order Number	Description	List Price (CAD)
0	RS485	0
1	Ethernet (adds Moxa 5130 for Databridge)	590
2	Fiber Optic (multimode - ST connection)	1,229
3	Installed WiFi 802.11 WiFi Kit (see note 3)	1,415

**DIN Mounted Relays - AC or DC, 6A DPDT - 24 VDC Coil**

Order Number	Description	List Price (CAD)
0	No Relays (see note 1)	0
1	Two DIN mount relays	120
2	Four DIN mount relays	240
3	Six DIN mount relays	360
4	Eight DIN mount relays	475
5	Ten DIN mount relays	595
6	Twelve DIN mount relays	715

**Enclosure**

Order Number	Description	List Price (CAD)
0	Fiberglass 15x11x7 (wall mount)	0
1	Stainless Steel (Type 304), wall mount 16x12x8	1,120
Call to Order	Consult Factory for hazardous area enclosures	call

Notes

1. For AC powered traffic lights, 2 DIN mounted relays are required for each red/green signal (except DBMS Case 10)
2. The ARM200 is designed for DC photo eye kits only (ARM100 DC inputs)
3. For Wi-Fi communication to the IND780 or IND560 terminal, a MOXA 5130 RS485->Ethernet converter, cable, and wireless access point kit is required inside or near the weighing terminal
4. Manual control of traffic lights is included with DataBridge software in attended mode.
5. Remote manual traffic light control box from the ARM200 box requires an 8 conductor wire and 8 DIN mount relays
6. For combinations of options not shown, contact the factory

**Contact Custom Systems Application Support for quotes**

# Commercial Counting Scales

## ICS241

### Precise and efficient for counting/weighing applications

#### Intuitive and Convenient Display

Dot-Matrix LCD display shows text and graphics to guide operators. All relevant information is shown in one screen. Alphanumeric keypad supports various information input.

#### Smart Database Management

Transaction database can save each counting/weighing record up to 30,000 entries via SD card for traceability. ICS241 provides article database, managing up to 1550 records via SD card (Not Included) making the export of files easy.

#### Batteries for Mobile Operation

ICS241 has an easily accessible battery compartment with six D-size dry or rechargeable batteries for self-contained operation time of up to 100 hours.

[www.mt.com/ics241](http://www.mt.com/ics241)



Material Number	Material Description	Maximum Capacity	Readability	Housing	Protection Rating	List Price (CAD)
30083489	Counting Scale ICS241-03002	3 kg / 6 lb	0.1 g / 0.0002 lb	ABS Plastic Enclosure	IP43	980
30083490	Counting Scale ICS241-06002	6 kg / 15 lb	0.2 g / 0.0005 lb			970
30083491	Counting Scale ICS241-15002	15 kg / 30 lb	0.5 g / 0.001 lb			970
30083492	Counting Scale ICS241-30002	30 kg / 60 lb	1 g / 0.002 lb			970

Material Number	Material Description	Maximum Capacity	Readability	Housing	Protection Rating	List Price (CAD)
<b>ICS241 Accessories</b>						
71210404	RS232- Cable for PC					116
64005555	RS232- Cable (Dsub9 f- 25pin m) for connection to APR310, 8808, and Okidata 320 Printers					120
<b>Bluetooth Connectivity</b>						
30385723	ACM360-M1 Bluetooth Adaptor				Wireless alternative to cables. See pg. 75	245

# Commercial Compact Scales

## ICS4\_5 Configured SG

### Reliable Performance

#### Strain Gauge Technology

The basic weighing level solution, is optimized for quick and easy weighing applications. It features a numeric keypad for quick pre-taring.

#### Durable and Rugged

Tough enough for use in industrial environments with aluminum die cast housing, overload protection and robust foil keypad.

#### Digital scale connection SICSpro

Guaranteed precise weighing results thanks to excellent immunity of digital signals from electromagnetic influences

<http://www.mt.com/compact-scales>



#### Standard Features

- Basic Weigh- ICS425/ICS435, Simple Count- ICS445, Advanced Count- ICS465
- Standard: 1 RS232 plus 1 optional interface selectable from: RS232, RS422/485, USB device, USB host, Ethernet, WLAN, Digital I/O
- Standard Scale Interface: SICSpro, Optional Second Scale interfaces (ICS445/ICS465): SICSpro, Analog, IDNET
- Optional exchangeable Li-Ion battery
- Graphic LCD display with backlights- ColorWeight© function available in ICS465
- 100 Article Internal Database- ICS445/ICS465 (Must have Alibi)
- Analog - Certifiable to NTEP Class III up to 6,000d MB- Certifiable to NTEP Class II up to 60,000d
- 2 selectable display modes
- Optional Li/Ion Battery Version can charge while scale plugged in or can be charged in a charging station.

Model	ICS425	ICS435	ICS445	ICS465
Applications				
Color Backlit LCD display				
colorWeight®				•
Configurable soft keys			•	•
Numeric (n) / alphanumeric (a) keypad		n		n
Additional interface options	1	1	1	1
Attachable platforms	1	1	2	2

\* Maximum 2 analog, or 2 IDNet platforms respectively 1 analog plus 1 IDNet



PBD555	Capacity									
	0.6kg	3kg	6kg	12kg	15kg	30kg	35kg	60kg	120kg	300kg
Platform Size (Loadplate size)		•	•							
SM 206x247 (200x240 mm)										
LA 247x357 (240x350 mm)					•		•			
Readability approved		0.5g	1g		2g		5g			
Readability not approved		0.05g	0.1g		0.2g		0.5g			
Minimum Reference Weight*		2.5g	5g		12.5g		30g			

Material Number	Material Description	Housing	Interfaces	Protection Rating	List Price (CAD)
64087990	Compact Scale ICS4_5 SG	Aluminum Diecast	RS232	IP54	1,775



Base model																			
I	C	S	4	2	5	S	F	ICS425s Basic Weighing											
I	C	S	4	3	5	S	F	ICS435s Basic Weighing											
I	C	S	4	4	5	C	F	ICS445s Simple Counting											
I	C	S	4	6	5	C	F	ICS465s Advanced Counting											
-	-	-	-	-	-	-	-	Capacity											
-	-	-	-	-	-	-	-	2	Max = 3kg / 6lb										
-	-	-	-	-	-	-	-	3	Max = 6kg / 12lb										
-	-	-	-	-	-	-	-	4	Max = 15kg / 30lb										
-	-	-	-	-	-	-	-	7	Max = 35kg / 60lb										
-	-	-	-	-	-	-	-	Platform Size											
-	-	-	-	-	-	-	-	B	SM = 240 x 200mm - (9.5" x 8")										
-	-	-	-	-	-	-	-	C	LA = 350 x 240mm - (14"x 9.5")										
-	-	-	-	-	-	-	-	Platform Size											
-	-	-	-	-	-	-	-	4	H	0	~ 1x6.000d								
-	-	-	-	-	-	-	-	First+Second Interface Option											
-	-	-	-	-	-	-	-	A	0	0	RS232 + None								
-	-	-	-	-	-	-	-	B	0	0	RS232 + RS232								
-	-	-	-	-	-	-	-	D	0	0	RS232 + RS422/485 (Dig. Scale)								
-	-	-	-	-	-	-	-	E	0	0	RS232 + Ethernet								
-	-	-	-	-	-	-	-	U	0	0	RS232 + USB Device								
-	-	-	-	-	-	-	-	H	0	0	RS232 + USB Host								
-	-	-	-	-	-	-	-	C	0	0	RS232 + Digital I/O								
-	-	-	-	-	-	-	-	W	0	0	RS232 + WLAN								
-	-	-	-	-	-	-	-	A	0	X	RS232 + 2nd Interface + 2nd Analog Scale								
-	-	-	-	-	-	-	-	Power Option											
-	-	-	-	-	-	-	-	A	-	-	120VAC, North American plug								
-	-	-	-	-	-	-	-	K	-	-	220VAC, BR plug								
-	-	-	-	-	-	-	-	M	-	-	Battery, North American plug								
-	-	-	-	-	-	-	-	N	-	-	Battery, Schuko plug								
-	-	-	-	-	-	-	-	2	-	-	Battery, BR plug								
-	-	-	-	-	-	-	-	Other Option											
-	-	-	-	-	-	-	-	2	-	-	Alibi Memory (IP54)								
-	-	-	-	-	-	-	-	9	-	-	Exchange Battery Pack (IP5x)								
-	-	-	-	-	-	-	-	B	-	-	Exch. Bat. (IP54) + Alibi Mem								
I	C	S	4		5		F		4	H	0								

Material Number	Material Description	Housing	Standard Interface	Protection Rating	List Price (CAD)
64087990	Compact Scale ICS4_5 SG	Aluminum Diecast	RS232	IP54	1,775

## ICS4\_5 Configured SG Options

I	C	S	4	5	F	4	H	0	0												
Material Description											1	2	3	4	5	6	7	8	Order Notes	List Price (CAD)	
<b>1 2 3 4 Base Model</b>																					
Model ICS425s-15LA/f											2	S	4	C							147
Model ICS425s-35LA/f											2	S	7	C							147
Model ICS425s-3SM/f											2	S	7	B							0
Model ICS425s-6SM/f											2	S	3	B							0
Model ICS435s-15LA/f											3	S	4	C							361
Model ICS435s-35LA/f											3	S	7	C							361
Model ICS435s-3SM/f											3	S	2	B							220
Model ICS435s-6SM/f											3	S	3	B							220
Model ICS445s-15LA/f											4	C	4	C							361
Model ICS445s-35LA/f											4	C	7	C							361
Model ICS445s-3SM/f											4	C	2	B							220
Model ICS445s-6SM/f											4	C	3	B							220
Model ICS465s-15LA/f											6	C	4	C							650
Model ICS465s-35LA/f											6	C	7	C							650
Model ICS465s-3SM/f											6	C	2	B							489
Model ICS465s-6SM/f											6	C	3	B							489
<b>5 6 Interfaces</b>																					
First+Second interface RS232+Digital I/O															C	0					383
First+Second interface RS232+Ethernet															E	0					650
First+Second interface RS232+RS232															B	0					307
First+Second Interface RS232+RS422/485															D	0					383
First+Second Interface RS232+USB Device															U	0					383
First+Second interface RS232+USB Host															H	0					489
First+Second interface RS232+WLAN															W	0					1,035
1+2+3 Interf.RS232+Dig.I/O+2nd A-Scale															C	X			Not avail. on ICS425/ICS435		860
1+2+3 Interf.RS232+Ethernet+2nd A-Scale															E	X			Not avail. on ICS425/ICS435		1,135
1+2+3 Interf.RS232+RS232+2nd A-Scale															B	X			Not avail. on ICS425/ICS435		790
1+2+3 Interf.RS232+RS422/485+2nd A-Scale															D	X			Not avail. on ICS425/ICS435		860
1+2+3 Interf.RS232+USB Dev.+2nd A-Scale															U	X			Not avail. on ICS425/ICS435		860
1+2+3 Interf.RS232+USB Host+2nd A-Scale															H	X			Not avail. on ICS425/ICS435		970
1+2+3 Interf.RS232+WLAN+2nd A-Scale															W	X			Not avail. on ICS425/ICS435		1,515
First+Second Interface RS232+2nd A-Scale															A	X			Not avail. on ICS425/ICS435		480
<b>7 Power</b>																					
120VAC, North American Plug																		A			0
240VAC, UK Plug																		K			0
Internal Battery, North American Plug																		M			0
Internal Battery, Schuko Plug																		N			0
Internal Battery, UK Plug																		2			0
<b>8 Option</b>																					
Exch. Bat. (IP54) + Alibi Mem																			B		745
Exchange Battery Pack (IP54)																			9		680
IP54 + Alibi Memory																			2		68

## ICS4\_5 Configured SG Accessories

Material Number	Material Description	Order Notes	List Price (CAD)
<b>Communication Cables (Straight Connector Used for ICSxx5)</b>			
22017601	Cable M12 RS232-SUB-D9P	Cable M12 RS232 Female Sub D 9 pin (crossed; used for PC). Cannot be used in conjunction with the ICS__9 f-Version	194
22017602	Cable M12 RS232-SICS Scale	M12-Sub D 9 male for connection to X-base	187
22017610	Cable M12 Ethernet-RJ45 5m	Cable M12 Ethernet RJ45; 5 m / 16 ft	229
22017604	Cable M12 USB type A 0.2m	Cable M12 USB host, 0.2 m / 0.7 ft, female	178
22017608	Cable M12 USB type A 3m	Cable M12 USB host, 3m, female	174
22017603	Cable M12 RS485/422 -open	M12 to bare ended cables	158
22018967	Cable M12 USB male type A 3m	Cable M12 USB Device 3m	191
22023696	Cable M12 RS422 SICSpro Extens. 3m	SICSpro Extension cable M12 (male) to M12 (female)	184
22018969	Cable M12 Digital I/O open 3m	Cable M12 with bare ends	157
30127057	Cable M12 RS232 3m for APR Printers		199
<b>Field Install Kits</b>			
22023626	CONVKIT Analog 2nd scale ICS4x5/685		580
30254890	CONVKIT IDNet 2nd scale ICS4x5/685		505
22023620	CONVKIT RS422/485/SICSpro ICS4x5/685	Does not include cable.	467
22023619	CONVKIT RS232 ICS4x5/685	Does not include cable.	380
22023623	CONVKIT USB Host ICS4x5/685	0.2m cable included	605
22023621	CONVKIT Ethernet ICS4x5/685	5m cable included	780
22023622	CONVKIT USB Device ICS4x5/685	3m cable included	467
22023625	CONVKIT WLAN ICS4x5/685		1,240
22023624	CONVKIT Digital I/O ICS4x5/685	Does not include cable. Requires (22018969)	580
<b>Software</b>			
30092787	DatabICS Software Full License	Download from www.mt.com, then send PO with MAC ID	329
<b>Batteries</b>			
30093237	Battery (Li-Ion) pack (snap-in) ICSxx5	Spare battery	395
30254896	Field Upgrade Kit ICSxx5 Battery Li_Ion	Ni-MH battery into Li-Ion (firmware flash may be nec.)	535
<b>Charging Station</b>			
30093236	Battery Charging Station	External Battery charging station (Requires #72243747 and #72263693)	392
<b>US Power Cords- (Included With Scale)</b>			
72243747	Powercord US,25000mm,10A,UL	North American power cord/plug for power supply, use with #72263693	53
72263693	Power Supply M12 ICSxx5	Power Supply, M12 straight, use with #72243747	205
<b>Brackets</b>			
30032637	Bracket Assy. ICSXX5 stand&wall&desk	Bracket for mounting ICSxx5 terminal to wall/column M8hole	176
<b>Columns Mild Steel</b>			
72198699	Stand Acces C.S 330mm PBA220	Column (requires wall bracket 30032637 ICSxx5) Height 330 mm / 13 in	123
<b>Miscellaneous</b>			
30032638	Protective Cover ICSXX5 5PCS	Protective cover for the weighing terminal only, set of 5 pieces	88
72262929	Wind Shield Complete	Windshield for ...XS weighing platforms	392
<b>Digital I/O</b>			
22011967	I/O relay box	Relaybox for Digital I/O option (same as 690)	615
<b>Plugs IP67* (M12 plug) * Supplied as IP67</b>			
22022059	Set USB Counter Plug (4pin,M12)	USB Counter Plug (4pin, Coding A, M12)	186
<b>Bluetooth Connectivity</b>			
30385723	ACM360-M1 Bluetooth Adaptor	Wireless alternative to cables. See pg. 75	245

# Applied Compact Scales

## ICS4\_5 Configured MB

### Highly Precise

#### Greater Manufacturing Accuracy and Quality

Made with MonoBloc® Technology, is the basic weighing level solution optimized for quick and easy weighing applications. It features a numeric keypad for quick pre-taring.

#### Durable and Rugged

Tough enough for use in industrial environments with aluminum die cast housing, overload protection and robust foil keypad.

#### Digital scale connection SICSpro

Guaranteed precise weighing results thanks to excellent immunity of digital signals from electromagnetic influences

<http://www.mt.com/compact-scales>

#### Standard Features

- Basic Weigh- ICS425/ICS435, Simple Count- ICS445, Advanced Count- ICS465
- Standard: 1 RS232 plus 1 optional interface selectable from: RS232, RS422/485, USB device, USB host, Ethernet, WLAN, Digital I/O
- Fully Automated Calibration Technology (FACT) for monoBloc Scales
- Standard Scale Interface: SICSpro, Optional Second Scale interfaces (ICS445/ICS465): SICSpro, Analog, IDNET
- Optional exchangeable Li-Ion battery
- Graphic LCD display with backlights- ColorWeight® function available in ICS465
- 100 Article Internal Database- ICS445/ICS465 (Must have Alibi)
- Analog - Certifiable to NTEP Class III up to 6,000d MB- Certifiable to NTEP Class II up to 60,000d
- 2 selectable display modes
- Optional Li/Ion Battery Version can charge while scale plugged in or can be charged in a charging station.



Model	ICS425	ICS435	ICS445	ICS465
Applications				
Color Backlit LCD display				
colorWeight®				•
Configurable soft keys			•	•
Numeric (n) / alphanumeric (a) keypad		n		n
Additional interface options	1	1	1	1
Attachable platforms	1	1	2	2

\* Maximum 2 analog, or 2 IDNet platforms respectively 1 analog plus 1 IDNet



PBK785	Capacity									
	0.6kg	3kg	6kg	12kg	15kg	30kg	35kg	60kg	120kg	300kg
Platform Size (Loadplate size)										
XS 206x247 (130x160 mm)	•	•	•							
SM 206x247 (200x240mm)			•							
LA 247x357 (240x350 mm)					•	•				
Readability approved	0.01g	0.1g	0.1g	1g	1g	1g				
Readability not approved	0.001g	0.01g	0.01g	0.1g	0.1g	0.1g				
Minimum Reference Weight*	0.05g	0.5g	0.5g	0.5g	5g	5.8g				

Material Number	Material Description	Housing	Interfaces	Protection Rating	List Price (CAD)
64087991	Compact Scale ICS4_5 MB	Aluminum Diecast	RS232	IP54	3,505

Base model															
I	C	S	4	2	5	S	F	ICS425k Basic Weighing							
I	C	S	4	3	5	S	F	ICS435k Basic Weighing							
I	C	S	4	4	5	C	F	ICS445k Simple Counting							
I	C	S	4	6	5	C	F	ICS465k Advanced Counting							
-	-	-	-	-	-	-	-	<b>Capacity</b>							
-	-	-	-	-	-	-	-	1	Max = 0.6kg / 1.2lb						
-	-	-	-	-	-	-	-	2	Max = 3kg / 6lb						
-	-	-	-	-	-	-	-	3	Max = 6kg / 12lb						
-	-	-	-	-	-	-	-	4	Max = 15kg / 30lb						
-	-	-	-	-	-	-	-	7	Max = 35kg / 60lb						
-	-	-	-	-	-	-	-	<b>Platform Size</b>							
-	-	-	-	-	-	-	-	A	XS = 160 x 130mm - (6" x 5")						
-	-	-	-	-	-	-	-	B	SM = 240 x 200mm - (9.5" x 8")						
-	-	-	-	-	-	-	-	C	LA = 350 x 240mm - (14" x 9.5")						
-	-	-	-	-	-	-	-	<b>Platform Size</b>							
-	-	-	-	-	-	-	-	U	M	0	NTEP Single Range - approvable				
-	-	-	-	-	-	-	-	-	-	-	<b>First+Second Interface Option</b>				
-	-	-	-	-	-	-	-	-	A	0	0	RS232 + None			
-	-	-	-	-	-	-	-	-	B	0	0	RS232 + RS232			
-	-	-	-	-	-	-	-	-	D	0	0	RS232 + RS422/485 (Dig. Scale)			
-	-	-	-	-	-	-	-	-	E	0	0	RS232 + Ethernet			
-	-	-	-	-	-	-	-	-	U	0	0	RS232 + USB Device			
-	-	-	-	-	-	-	-	-	H	0	0	RS232 + USB Host			
-	-	-	-	-	-	-	-	-	C	0	0	RS232 + Digital I/O			
-	-	-	-	-	-	-	-	-	W	0	0	RS232 + WLAN			
-	-	-	-	-	-	-	-	-	A	0	X	RS232 + 2nd Analog Scale			
-	-	-	-	-	-	-	-	-	A	0	I	RS232 + 2nd IDNet Scale			
-	-	-	-	-	-	-	-	-	-	-	-	<b>Power Option</b>			
-	-	-	-	-	-	-	-	-	-	-	-	A	120VAC, North American plug		
-	-	-	-	-	-	-	-	-	-	-	-	K	220VAC, BR plug		
-	-	-	-	-	-	-	-	-	-	-	-	M	Battery, North American plug		
-	-	-	-	-	-	-	-	-	-	-	-	N	Battery, Schuko plug		
-	-	-	-	-	-	-	-	-	-	-	-	2	Battery, BR plug		
-	-	-	-	-	-	-	-	-	-	-	-	-	<b>Other Option</b>		
-	-	-	-	-	-	-	-	-	-	-	-	2	Alibi Memory (IP5x)		
-	-	-	-	-	-	-	-	-	-	-	-	9	Exchange Battery Pack (IP5x)		
-	-	-	-	-	-	-	-	-	-	-	-	B	Exch. Bat. (IP5x) + Alibi Mem		
I	C	S	4		5		F		U	M	0				

Material Number	Material Description	Housing	Interfaces	Protection Rating	List Price (CAD)
64087991	Compact Scale ICS4_5 MB	Aluminum Diecast	RS232	IP54	3,505

## ICS4\_5 Configured MB Options

I	C	S	4	5	F	U	M	0	0				
Material Description											Order Notes	List Price (CAD)	
<b>1 2 3 4 Base Model</b>													
Model ICS425k-0.6XS/f				2	S	1	A						1,215
Model ICS425k-15LA/f				2	S	4	C						780
Model ICS425k-35LA/f				2	S	7	C						1,215
Model ICS425k-3XS/f				2	S	2	A						0
Model ICS425k-6SM/f				2	S	3	B						445
Model ICS425k-6XS/f				2	S	3	A						680
Model ICS435k-0.6XS/f				3	S	1	A						1,435
Model ICS435k-15LA/f				3	S	4	C						980
Model ICS435k-35LA/f				3	S	7	C						1,435
Model ICS435k-3XS/f				3	S	2	A						219
Model ICS435k-6SM/f				3	S	3	B						680
Model ICS435k-6XS/f				3	S	3	B						895
Model ICS445k-0.6XS/f				4	C	1	A						1,435
Model ICS445k-15LA/f				4	C	4	C						980
Model ICS445k-35LA/f				4	C	7	C						1,435
Model ICS445k-3XS/f				4	C	2	A						219
Model ICS445k-6SM/f				4	C	3	B						680
Model ICS445k-6XS/f				4	C	3	A						895
Model ICS465k-0.6XS/f				6	C	1	A						1,705
Model ICS465k-15LA/f				6	C	4	C						1,260
Model ICS465k-35LA/f				6	C	7	C						1,705
Model ICS465k-3XS/f				6	C	2	A						487
Model ICS465k-6SM/f				6	C	3	B						940
Model ICS465k-6XS/f				6	C	3	A						1,165
<b>5 6 Interface</b>													
First+Second interface RS232+Digital I/O							C	0					383
First+Second interface RS232+Ethernet							E	0					650
First+Second interface RS232+RS232							B	0					307
First+Second Interface RS232+RS422/485							D	0					383
First+Second Interface RS232+USB Device							U	0					383
First+Second interface RS232+USB Host							H	0					489
First+Second interface RS232+WLAN							W	0					1,035
1+2+3 Interf.RS232+Dig.I/O+2nd A-Scale							C	X			Not avail. on ICS425/ICS435		860
1+2+3 Interf.RS232+Ethernet+2nd A-Scale							E	X			Not avail. on ICS425/ICS435		1,135
1+2+3 Interf.RS232+RS232+2nd A-Scale							B	X			Not avail. on ICS425/ICS435		790
1+2+3 Interf.RS232+RS422/485+2nd A-Scale							D	X			Not avail. on ICS425/ICS435		860
1+2+3 Interf.RS232+USB Dev.+2nd A-Scale							U	X			Not avail. on ICS425/ICS435		860
1+2+3 Interf.RS232+USB Host+2nd A-Scale							H	X			Not avail. on ICS425/ICS435		970
1+2+3 Interf.RS232+WLAN+2nd A-Scale							W	X			Not avail. on ICS425/ICS435		1,515
First+Second Interface RS232+2nd A-Scale							A	X			Not avail. on ICS425/ICS435		480
<b>7 Power Option</b>													
120VAC, North American Plug								A					0
Battery, North American Plug								M					0
<b>8 Option</b>													
Exch. Bat. (IP54) + Alibi Mem									B				745
Exchange Battery Pack (IP54)									9				680
IP54 + Alibi Memory									2				68

## ICS4\_5 Configured MB Accessories

Material Number	Material Description	Order Notes	List Price (CAD)
<b>Communication Cables (Straight Connector Used for ICSxx5)</b>			
22017601	Cable M12 RS232-SUB-D9P	Cable M12 RS232 Female Sub D 9 pin (crossed; used for PC). Cannot be used in conjunction with the ICS__9 f-Version	194
22017602	Cable M12 RS232-SICS Scale	M12-Sub D 9 male for connection to X-base	187
22017610	Cable M12 Ethernet-RJ45 5m	Cable M12 Ethernet RJ45; 5 m / 16 ft	229
22017604	Cable M12 USB type A 0.2m	Cable M12 USB host, 0.2 m / 0.7 ft, female	178
22017608	Cable M12 USB type A 3m	Cable M12 USB host, 3m, female	174
22017603	Cable M12 RS485/422 -open	M12 to bare ended cables	158
22018967	Cable M12 USB male type A 3m	Cable M12 USB Device 3m	191
22023696	Cable M12 RS422 SICSpro Extens. 3m	SICSpro Extension cable M12 (male) to M12 (female)	184
22018969	Cable M12 Digital I/O open 3m	Cable M12 with bare ends	157
30127057	Cable M12 RS232 3m for APR Printers		199
<b>Field Install Kits</b>			
22023626	CONVKIT Analog 2nd scale ICS4x5/685		580
30254890	CONVKIT IDNet 2nd scale ICS4x5/685		505
22023620	CONVKIT RS422/485/SICSpro ICS4x5/685	Does not include cable.	467
22023619	CONVKIT RS232 ICS4x5/685	Does not include cable.	380
22023623	CONVKIT USB Host ICS4x5/685	0.2m cable included	605
22023621	CONVKIT Ethernet ICS4x5/685	5m cable included	780
22023622	CONVKIT USB Device ICS4x5/685	3m cable included	467
22023625	CONVKIT WLAN ICS4x5/685		1,240
22023624	CONVKIT Digital I/O ICS4x5/685	Does not include cable. Requires (22018969)	580
<b>Software</b>			
30092787	DatablCS Software Full License	Download from www.mt.com, then send PO with MAC ID	329
<b>Batteries</b>			
30093237	Battery (Li-Ion) pack (snap-in) ICSxx5	Spare battery	395
30254896	Field Upgrade Kit ICSxx5 Battery Li_Ion	Ni-MH battery into Li-Ion (firmware flash may be nec.)	535
<b>Charging Station</b>			
30093236	Battery Charging Station	External Battery charging station (Requires #72243747 and #72263693)	392
<b>US Power Cords- (Included With Scale)</b>			
72243747	Powercord US,25000mm,10A,UL	North American power cord/plug for power supply, use with #72263693	53
72263693	Power Supply M12 ICSxx5	Power Supply, M12 straight, use with #72243747	205
<b>Brackets</b>			
30032637	Bracket Assy. ICSXX5 stand&wall&desk	Bracket for mounting ICSxx5 terminal to wall/column M8hole	176
<b>Columns Mild Steel</b>			
72198699	Stand Acces C.S 330mm PBA220	Column (requires wall bracket 30032637 ICSxx5) Height 330 mm / 13 in	123
<b>Miscellaneous</b>			
30032638	Protective Cover ICSXX5 5PCS	Protective cover for the weighing terminal only, set of 5 pieces	88
72262929	Wind Shield Complete	Windshield for ...XS weighing platforms	392
<b>Digital I/O</b>			
22011967	I/O relay box	Relaybox for Digital I/O option (same as 690)	615
<b>Plugs IP67* (M12 plug) * Supplied as IP67</b>			
22022059	Set USB Counter Plug (4pin,M12)	USB Counter Plug (4pin, Coding A, M12)	186
<b>Bluetooth Connectivity</b>			
30385723	ACM360-M1 Bluetooth Adaptor	Wireless alternative to cables. See pg. 75	245

# Applied Compact Scales

## ICS685 Configured SG

### Reliable Performance

#### Strain Gauge Technology

The solution stands for total flexibility. Benefit from its wide range of applications, easy user management and powerful internal database.

#### Durable and Rugged

Tough enough for use in industrial environments with aluminum die cast housing, overload protection and robust foil keypad.

#### Easy to operate

User-definable function keys, large colored TFT display and customizable user prompting make everyday operations fast and more precise.

<http://www.mt.com/compact-scales>



#### Standard Features

- User Prompting
- User management function
- Temperature check function
- Statistics software
- Software to administer/manage database
- Scale embedded database (up to 30,000 articles)
- Routine tests: calibration checks, linearity, corner load test
- Optional exchangeable battery
- Numeric keypad
- Hardkeys can be deactivated to prevent incorrect key press
- Die-cast aluminium housing, IP54
- Date and time
- Counting, Over/Under Checkweighing, Totalizing
- ColorWeight® function
- Color TFT Display (320 x 240 pixels)
- Analog - Certifiable to NTEP Class III up to 6,000d
- Alibi Memory/Transaction memory
- 5 Configurable Softkeys
- 2 selectable display modes
- Optional Li/Ion Battery Version can charge while scale plugged in or can be charged in a charging station.

PBD555	Capacity									
	0.6kg	3kg	6kg	12kg	15kg	30kg	35kg	60kg	120kg	300kg
Platform Size (Loadplate size)		•	•							
SM 206x247 (200x240 mm)		•	•							
LA 247x357 (240x350 mm)					•		•			
Readability approved		0.5g	1g		2g		5g			
Readability not approved		0.05g	0.1g		0.2g		0.5g			
Minimum Reference Weight*		2.5g	5g		12.5g		30g			

Material Number	Material Description	Interfaces	Housing	Protection Rating	List Price (CAD)
64087992	Compact Scale ICS685 SG	RS232	Aluminum Diecast	IP54	3,205





## ICS6\_5 Configured SG Options

I	C	S	6	8	5	M	F			4	H	0							
Material Description							1	2	3	4	5	6	7	Order Notes	List Price (CAD)				
<b>1 2 Base Model</b>																			
Model ICS685s-15LA/f							4	C										145	
Model ICS685s-35LA/f							7	C										145	
Model ICS685s-3SM/f							2	B										0	
Model ICS685s-6SM/f							3	B										0	
<b>3 Interfaces</b>																			
First+Second interface RS232+Digital I/O									C									383	
First+Second Interface RS232+RS232									B									307	
First+Second Interface RS232+RS422/485									D									383	
First+Second Interface RS232+USB Device									U									383	
First+Second interface RS232+USB Host									H									489	
<b>4 Interfaces</b>																			
Third Interface Ethernet										E									650
Third Interface RS232										B								307	
Third Interface RS422/485										D								383	
Third Interface USB Device										U								383	
Third Interface WLAN										W								1,035	
<b>5 Interfaces</b>																			
Fourth Interface 2nd Analog Scale											X							480	
Fourth Interface 2nd IDNet Scale											I							480	
Fourth Interface RS232											B							307	
Fourth Interface RS422/485											D							383	
Fourth Interface USB Host											H							489	
<b>6 Power Options</b>																			
120VAC, North American Plug												A						0	
Battery, North American Plug												M						0	
<b>7 Option</b>																			
Exch. Bat. (IP54) + Alibi Mem													B					745	
IP54 Protection + Alibi Memory													2					68	

## ICS6\_5 Configured SG Accessories

Material Number	Material Description	Order Notes	List Price (CAD)
<b>Communication Cables (Straight Connector Used for ICSxx5)</b>			
22017601	Cable M12 RS232-SUB-D9P	Cable M12 RS232 Female Sub D 9 pin (crossed; used for PC). Cannot be used in conjunction with the ICS__9 f-Version	194
22017602	Cable M12 RS232-SICS Scale	M12-Sub D 9 male for connection to X-base	187
22017610	Cable M12 Ethernet-RJ45 5m	Cable M12 Ethernet RJ45; 5 m / 16 ft	229
22017604	Cable M12 USB type A 0.2m	Cable M12 USB host, 0.2 m / 0.7 ft, female	178
22017608	Cable M12 USB type A 3m	Cable M12 USB host, 3m, female	174
22017603	Cable M12 RS485/422 -open	M12 to bare ended cables	158
22018967	Cable M12 USB male type A 3m	Cable M12 USB Device 3m	191
22023696	Cable M12 RS422 SICSpro Extens. 3m	SICSpro Extension cable M12 (male) to M12 (female)	184
22018969	Cable M12 Digital I/O open 3m	Cable M12 with bare ends	157
30127057	Cable M12 RS232 3m for APR Printers		199
<b>Field Install Kits</b>			
22023626	CONVKIT Analog 2nd scale ICS4x5/685		580
30254890	CONVKIT IDNet 2nd scale ICS4x5/685		505
22023620	CONVKIT RS422/485/SICSpro ICS4x5/685	Does not include cable.	467
22023619	CONVKIT RS232 ICS4x5/685	Does not include cable.	380
22023623	CONVKIT USB Host ICS4x5/685	0.2m cable included	605
22023621	CONVKIT Ethernet ICS4x5/685	5m cable included	780
22023622	CONVKIT USB Device ICS4x5/685	3m cable included	467
22023625	CONVKIT WLAN ICS4x5/685		1,240
22023624	CONVKIT Digital I/O ICS4x5/685	Does not include cable. Requires (22018969)	580
<b>Software</b>			
30092787	DatablCS Software Full License	Download from www.mt.com, then send PO with MAC ID	329
<b>Batteries</b>			
30093237	Battery (Li-Ion) pack (snap-in) ICSxx5	Spare battery	395
30254896	Field Upgrade Kit ICSxx5 Battery Li_Ion	Ni-MH battery into Li-Ion (firmware flash may be nec.)	535
<b>Charging Station</b>			
30093236	Battery Charging Station	External Battery charging station (Requires #72243747 and #72263693)	392
<b>US Power Cords- (Included With Scale)</b>			
72243747	Powercord US,25000mm,10A,UL	North American power cord/plug for power supply, use with #72263693	53
72263693	Power Supply M12 ICSxx5	Power Supply, M12 straight, use with #72243747	205
<b>Brackets</b>			
30032637	Bracket Assy. ICSXX5 stand&wall&desk	Bracket for mounting ICSxx5 terminal to wall/column M8hole	176
<b>Columns Mild Steel</b>			
72198699	Stand Acces C.S 330mm PBA220	Column (requires wall bracket 30032637 ICSxx5) Height 330 mm / 13 in	123
<b>Miscellaneous</b>			
30032638	Protective Cover ICSXX5 5PCS	Protective cover for the weighing terminal only, set of 5 pieces	88
72262929	Wind Shield Complete	Windshield for ...XS weighing platforms	392
<b>Digital I/O</b>			
22011967	I/O relay box	Relaybox for Digital I/O option (same as 690)	615
<b>Plugs IP67* (M12 plug) * Supplied as IP67</b>			
22022059	Set USB Counter Plug (4pin,M12)	USB Counter Plug (4pin, Coding A, M12)	186
<b>Bluetooth Connectivity</b>			
30385723	ACM360-M1 Bluetooth Adaptor	Wireless alternative to cables. See pg. 75	245

# Applied Compact Scales

## ICS685 Configured MB

### Highly Precise

#### Greater Manufacturing Accuracy and Quality

Made with MonoBloc® Technology, stands for total flexibility. Benefit from its wide range of applications, user management features and powerful internal database

#### Durable and Rugged

Tough enough for use in industrial environments with aluminum die cast housing, overload protection and robust foil keypad.

#### Easy to operate

User-definable function keys, large colored TFT display and customizable user prompting make everyday operations fast and more precise.

<http://www.mt.com/compact-scales>



#### Standard Features

- User Prompting
- User management function
- Temperature check function
- Statistics software
- Software to administer/manage database
- Scale embedded database (up to 30,000 articles)
- Routine tests: calibration checks, linearity, corner load test
- Optional exchangeable battery
- Numeric keypad
- Hardkeys can be deactivated to prevent incorrect key press
- Fully Automated Calibration Technology (FACT) for monoBloc Scales
- Die-cast aluminium housing, IP54
- Date and time
- Counting, Over/Under Checkweighing, Totalizing
- ColorWeight® function
- Color TFT Display (320 x 240 pixels)
- Certifiable to NTEP Class II up to 60,000d
- Alibi Memory/Transaction memory
- 5 Configurable Softkeys
- 2 selectable display modes
- Optional Li/Ion Battery Version can charge while scale plugged in or can be charged in a charging station.

PBK785	Capacity										
	Platform Size (Loadplate size)	0.6kg	3kg	6kg	12kg	15kg	30kg	35kg	60kg	120kg	300kg
XS 206x247 (130x160 mm)	•	•	•								
SM 206x247 (200x240mm)				•							
LA 247x357 (240x350 mm)						•		•			
Readability approved	0.01g	0.1g	0.1g	1g		1g		1g			
Readability not approved	0.001g	0.01g	0.01g	0.1g		0.1g		0.1g			
Minimum Reference Weight*	0.05g	0.5g	0.5g	0.5g		5g		5.8g			

Material Number	Material Description	Housing	Interfaces	Protection Rating	List Price (CAD)
64087993	Compact Scale ICS685 MB	Aluminum Diecast	RS232	IP54	4,940

Base model																			
I	C	S	6	8	5	[F]	F	ICS685k Multi Functional											
I	C	S	6	8	5	R	F	ICS685k Remote											
-	-	-	-	-	-	-	-	<b>Capacity</b>											
-	-	-	-	-	-	-	-	1	Max = 0.6kg / 1.2lb										
-	-	-	-	-	-	-	-	2	Max = 3kg / 6lb										
-	-	-	-	-	-	-	-	3	Max = 6kg / 12lb										
-	-	-	-	-	-	-	-	4	Max = 15kg / 30lb										
-	-	-	-	-	-	-	-	7	Max = 35kg / 70lb										
-	-	-	-	-	-	-	-	<b>Platform Size</b>											
-	-	-	-	-	-	-	-	A	XS = 160 x 130mm - (6" x 5")										
-	-	-	-	-	-	-	-	B	SM = 240 x 200mm - (9.5" x 8")										
-	-	-	-	-	-	-	-	C	LA = 350 x 240mm - (14" x 9.5")										
-	-	-	-	-	-	-	-	<b>Platform Size</b>											
-	-	-	-	-	-	-	-	U	M	0	NTEP Single Range - approvable								
-	-	-	-	-	-	-	-	-	-	-	<b>First+Second Interface Option</b>								
-	-	-	-	-	-	-	-	-	-	-	A	RS232 + None							
-	-	-	-	-	-	-	-	-	-	-	B	RS232 + RS232							
-	-	-	-	-	-	-	-	-	-	-	D	RS232 + RS422/485 (Dig. Scale)							
-	-	-	-	-	-	-	-	-	-	-	U	RS232 + USB Device							
-	-	-	-	-	-	-	-	-	-	-	H	RS232 + USB Host							
-	-	-	-	-	-	-	-	-	-	-	C	RS232 + Digital I/O							
-	-	-	-	-	-	-	-	-	-	-	<b>Third Interface Option</b>								
-	-	-	-	-	-	-	-	-	-	-	0	No Option							
-	-	-	-	-	-	-	-	-	-	-	B	RS232							
-	-	-	-	-	-	-	-	-	-	-	D	RS422/485 (Incl. Digit. Scale)							
-	-	-	-	-	-	-	-	-	-	-	U	USB Device							
-	-	-	-	-	-	-	-	-	-	-	E	Ethernet							
-	-	-	-	-	-	-	-	-	-	-	W	WLAN							
-	-	-	-	-	-	-	-	-	-	-	<b>Fourth Interface Option</b>								
-	-	-	-	-	-	-	-	-	-	-	0	No Option							
-	-	-	-	-	-	-	-	-	-	-	B	RS232							
-	-	-	-	-	-	-	-	-	-	-	D	RS422/485 (Incl. Digit. Scale)							
-	-	-	-	-	-	-	-	-	-	-	H	USB Host							
-	-	-	-	-	-	-	-	-	-	-	X	2nd Analog Scale							
-	-	-	-	-	-	-	-	-	-	-	I	2nd IDNet Scale							
-	-	-	-	-	-	-	-	-	-	-	<b>Power Option</b>								
-	-	-	-	-	-	-	-	-	-	-	A	120VAC, North American plug							
-	-	-	-	-	-	-	-	-	-	-	K	220VAC, BR plug							
-	-	-	-	-	-	-	-	-	-	-	M	Battery, North American plug							
-	-	-	-	-	-	-	-	-	-	-	2	Battery, BR plug							
-	-	-	-	-	-	-	-	-	-	-	<b>Other Option</b>								
-	-	-	-	-	-	-	-	-	-	-	2	IP5x + Alibi Memory							
-	-	-	-	-	-	-	-	-	-	-	B	Exch. Bat. (IP5x) + Alibi Mem							
I	C	S	6	8	5	[F]	F	U	M	0									

Material Number	Material Description	Housing	Interfaces	Protection Rating	List Price (CAD)
64087993	Compact Scale ICS685 MB	Aluminum Diecast	RS232	IP54	4,940

## ICS6\_5 Configured MB Options

I	C	S	6	8	5	F	U	M	0												
Material Description											1	2	3	5	6	7	8	Order Notes	List Price (CAD)		
<b>1 Base Model</b>																					
ICS685k-0.6XS/f											M	1	A								1,215
ICS685k-15LA/f											M	4	C								780
ICS685k-35LA/f											M	7	C								1,215
ICS685k-3XS/f											M	2	A								0
ICS685k-6XS/f											M	3	A								680
<b>4 Interfaces</b>																					
First+Second interface RS232+Digital I/O														C							383
First+Second Interface RS232+RS232														B							307
First+Second Interface RS232+RS422/485														D							383
First+Second Interface RS232+USB Device														U							383
First+Second interface RS232+USB Host														H							489
<b>5 Interfaces</b>																					
Third Interface Ethernet															E						650
Third Interface RS232															B						307
Third Interface RS422/485															D						383
Third Interface USB Device															U						383
Third Interface WLAN															W						1,035
<b>6 Interfaces</b>																					
Fourth Interface 2nd Analog Scale																X					480
Fourth Interface 2nd IDNet Scale																I					480
Fourth Interface RS232																B					307
Fourth Interface RS422/485																D					383
Fourth Interface USB Host																H					489
<b>8 Option</b>																					
Exch. Bat. (IP54) + Alibi Mem																	B				745
IP54 + Alibi Memory																	2				68

## ICS6\_5 Configured MB Accessories

Material Number	Material Description	Order Notes	List Price (CAD)
<b>Communication Cables (Straight Connector Used for ICSxx5)</b>			
22017601	Cable M12 RS232-SUB-D9P	Cable M12 RS232 Female Sub D 9 pin (crossed; used for PC). Cannot be used in conjunction with the ICS__9 f-Version	194
22017602	Cable M12 RS232-SICS Scale	M12-Sub D 9 male for connection to X-base	187
22017610	Cable M12 Ethernet-RJ45 5m	Cable M12 Ethernet RJ45; 5 m / 16 ft	229
22017604	Cable M12 USB type A 0.2m	Cable M12 USB host, 0.2 m / 0.7 ft, female	178
22017608	Cable M12 USB type A 3m	Cable M12 USB host, 3m, female	174
22017603	Cable M12 RS485/422 -open	M12 to bare ended cables	158
22018967	Cable M12 USB male type A 3m	Cable M12 USB Device 3m	191
22023696	Cable M12 RS422 SICSpro Extens. 3m	SICSpro Extension cable M12 (male) to M12 (female)	184
22018969	Cable M12 Digital I/O open 3m	Cable M12 with bare ends	157
30127057	Cable M12 RS232 3m for APR Printers		199
<b>Field Install Kits</b>			
22023626	CONVKIT Analog 2nd scale ICS4x5/685		580
30254890	CONVKIT IDNet 2nd scale ICS4x5/685		505
22023620	CONVKIT RS422/485/SICSpro ICS4x5/685	Does not include cable.	467
22023619	CONVKIT RS232 ICS4x5/685	Does not include cable.	380
22023623	CONVKIT USB Host ICS4x5/685	0.2m cable included	605
22023621	CONVKIT Ethernet ICS4x5/685	5m cable included	780
22023622	CONVKIT USB Device ICS4x5/685	3m cable included	467
22023625	CONVKIT WLAN ICS4x5/685		1,240
22023624	CONVKIT Digital I/O ICS4x5/685	Does not include cable. Requires (22018969)	580
<b>Software</b>			
30092787	DatablCS Software Full License	Download from www.mt.com, then send PO with MAC ID	329
<b>Batteries</b>			
30093237	Battery (Li-Ion) pack (snap-in) ICSxx5	Spare battery	395
30254896	Field Upgrade Kit ICSxx5 Battery Li_Ion	Ni-MH battery into Li-Ion (firmware flash may be nec.)	535
<b>Charging Station</b>			
30093236	Battery Charging Station	External Battery charging station (Requires #72243747 and #72263693)	392
<b>US Power Cords- (Included With Scale)</b>			
72243747	Powercord US,25000mm,10A,UL	North American power cord/plug for power supply, use with #72263693	53
72263693	Power Supply M12 ICSxx5	Power Supply, M12 straight, use with #72243747	205
<b>Brackets</b>			
30032637	Bracket Assy. ICSXX5 stand&wall&desk	Bracket for mounting ICSxx5 terminal to wall/column M8hole	176
<b>Columns Mild Steel</b>			
72198699	Stand Acces C.S 330mm PBA220	Column (requires wall bracket 30032637 ICSxx5) Height 330 mm / 13 in	123
<b>Miscellaneous</b>			
30032638	Protective Cover ICSXX5 5PCS	Protective cover for the weighing terminal only, set of 5 pieces	88
72262929	Wind Shield Complete	Windshield for ...XS weighing platforms	392
<b>Digital I/O</b>			
22011967	I/O relay box	Relaybox for Digital I/O option (same as 690)	615
<b>Plugs IP67* (M12 plug) * Supplied as IP67</b>			
22022059	Set USB Counter Plug (4pin,M12)	USB Counter Plug (4pin, Coding A, M12)	186
<b>Bluetooth Connectivity</b>			
30385723	ACM360-M1 Bluetooth Adaptor	Wireless alternative to cables. See pg. 75	245





# Commercial Bench Scales

## BBA231



### For Routine Applications

#### Multi-Functional

Fast, economical and multi-functional for any straight weighing, counting, checkweighing or classifying application in a dry environment.

#### Visible and Fast

The terminal, with its large LCD display, is easy to operate and features a built-in RS232 interface to communicate with a printer or PC.

#### Lasting Battery Power

The scale is powered by 120 VAC or 6 AA dry batteries for >80 hours of stand-alone operation.

[www.mt.com/bba231](http://www.mt.com/bba231)



**Protection Rating** IP65 Platform; IP54 Terminal  
**Housing** Terminal: Plastic; Platform: Carbon Steel



Material Number	Material Description	Maximum Capacity	NTEP Readability	Measurement Canada Capacity/Emin	Platform Size (L x W)	List Price (CAD)
30079972	Bench Scale BBA231-3A6A/S	10 lb / 6 kg	0.002 lb / 2 g	6kg / 0.002kg	9.5 in x 11.8 in / 240 mm x 300 mm	1,240
30079973	Bench Scale BBA231-3A15A/S	25 lb / 15 kg	0.005 lb / 5 g	15kg / 0.005kg		1,240
30079974	Bench Scale BBA231-3BB35A/S	50 lb / 35 kg	0.01 lb / 10 g	30kg / 0.01kg	11.8 in x 15.7 in / 300 mm x 400 mm	1,260
30079976	Bench Scale BBA231-3B60A/S	100 lb / 60 kg	0.02 lb / 20 g	60kg / 0.02kg	15.7 in x 19.7 in / 400 mm x 500 mm	1,445
30079975	Bench Scale BBA231-3BB60A/S				11.8 in x 15.7 in / 300 mm x 400 mm	1,260
30079978	Bench Scale BBA231-3BC60A/S				19.7 in x 25.6 in / 500 mm x 650 mm	1,865
30079981	Bench Scale BBA231-3CC60A/S				23.6 in x 31.5 in / 600 mm x 800 mm	2,195
30079977	Bench Scale BBA231-3B150A/S	250 lb / 150 kg	0.05 lb / 50 g	150kg / 0.05kg	15.7 in x 19.7 in / 400 mm x 500 mm	1,445
30079979	Bench Scale BBA231-3BC150A/S				19.7 in x 25.6 in / 500 mm x 650 mm	1,865
30079982	Bench Scale BBA231-3CC150A/S				23.6 in x 31.5 in / 600 mm x 800 mm	2,195
30079980	Bench Scale BBA231-3BC300A/S	500 lb / 300 kg	0.1 lb / 100 g	300kg / 0.1kg	19.7 in x 25.6 in / 500 mm x 650 mm	1,865
30079983	Bench Scale BBA231-3CC300A/S				23.6 in x 31.5 in / 600 mm x 800 mm	2,195

### Reliable Mobile Weighing

#### Multi-Functional

Fast, economical and multi-functional for any straight weighing, counting, checkweighing or classifying application in a dry environment.

#### Visible and Fast

The terminal, with its large LCD display, is easy to operate and features a built-in RS232 interface to communicate with a printer or PC.

#### Safe Mobility

The solid cart is capable of transporting loads up to 600kg/1200lb. Integrated wheel breaks provide additional security during weighing and parking.



Material Number	Material Description	Maximum Capacity	NTEP Readability	Platform Size (L x W)	List Price (CAD)
30080063	Bench Scale BBA231-3BC300A/W	600 lb / 300 kg	0.1 lb / 100 g	19.7 in x 25.6 in / 500 mm x 650 mm	2,640
30080064	Bench Scale BBA231-3CC600A/W	1,200 lb / 600 kg	N/A	23.6 in x 31.5 in / 600 mm x 800 mm	2,790

## BBA231 Accessories

Material Number	Material Description	Order Notes	List Price (CAD)
<b>Ball top, galvanized balls, painted mild steel</b>			
72198691	Balltop Acces B	Ball Mat 400 x 500 mm	540
72198692	Balltop Acces BC	Ball Mat 500 x 650 mm	670
72198693	Balltop Acces CC	Ball Mat 600 x 800 mm	730
<b>Columns Mild Steel</b>			
72198699	Stand Acces C.S 330mm PBA220	Column (requires wall bracket 30032637) Height 330 mm / 13 in	123
72198700	Stand Acces C.S 660mm PBA220	requires wall bracket 30032637 Height 660 mm / 26 in	162
72198701	STAND CS 900 ACCES	requires wall bracket 30032637 Height 900 mm / 35 in	171
<b>Roller Conveyer, galvanized rollers, painted mild steel</b>			
72198705	Rollertop Acces B	Rolling conveyor 400 x 500 mm	515
72198707	Rollertop Acces BC	Rolling conveyor 500 x 650 mm	730
72198709	Rollertop Acces CC	Rolling conveyor 600 x 800 mm	810
<b>Carts (Like BBA231 on Wheels)</b>			
72198696	Cart Acces PBA220 BC	Lacquered cart 500 x 650 mm	800
72198697	Cart Acces PBA220 CC	Lacquered cart 600 x 800 mm	840
<b>Bluetooth Connectivity</b>			
30385723	ACM360-M1 Bluetooth Adaptor	Wireless alternative to cables. See pg. 75	245

# Commercial Bench Scales

## BBA236

IP65 IP66 IP67



### For Demanding Applications

#### Simple & Intuitive

The IP65-rated scale is easy to operate. The straightforward setup of different functions requires minimal operator training.

#### Easy to Clean

The open and sturdy stainless-steel platform design, built according to hygienic standards, allows fast, thorough and easy cleaning.

#### Execution

The scale is AC powered and features a specially designed aluminum load cell for dry and light wet applications. The stand is included with scale.

[www.mt.com/bba236](http://www.mt.com/bba236)

**Protection Rating** IP67 terminal; IP65 Platform

**Housing** Stainless Steel

Material Number	Material Description	Maximum Capacity	NTEP Readability	Measurement Canada Capacity/Emin	Platform Size (L x W)	List Price (CAD)
30079996	Bench Scale BBA236-4A3N/S	5 lb / 3 kg	0.001 lb / 1 g	2.5kg / 0.5g	9.5 in x 11.8 in / 240 mm x 300 mm	1,690
30079997	Bench Scale BBA236-4A6N/S	10 lb / 6 kg	0.002 lb / 2 g	5kg / 1g		1,690
30079998	Bench Scale BBA236-4A15N/S	25 lb / 15 kg	0.005 lb / 5 g	10kg / 2g		1,690
30080001	Bench Scale BBA236-4B30N/S	50 lb / 30 kg	0.01 lb / 10 g	25kg / 5g	15.7 in x 19.7 in / 400 mm x 500 mm	2,130
30079999	Bench Scale BBA236-4BB30N/S				11.8 in x 15.7 in / 300 mm x 400 mm	1,865
30080002	Bench Scale BBA236-4B60N/S	100 lb / 60 kg	0.02 lb / 20 g	50kg / 10g	15.7 in x 19.7 in / 400 mm x 500 mm	2,130
30080000	Bench Scale BBA236-4BB60N/S				11.8 in x 15.7 in / 300 mm x 400 mm	1,865
30080003	Bench Scale BBA236-4B150N/S	250 lb / 150 kg	0.05 lb / 50 g	100kg / 20g	15.7 in x 19.7 in / 400 mm x 500 mm	2,130

## BBA236 Accessories

Material Number	Material Description	Order Notes	List Price (CAD)
<b>Stainless Steel Columns</b>			
72198702	Stand Acces S.S 330mm PBA220	Column 13" SS Open Back	171
72198703	Stand Acces S.S 660mm PBA220	Column 26" SS Open Back	195
72198704	Stand Acces S.S 900mm PBA220	Column 35.5" SS Open Back	205
<b>Bluetooth Connectivity</b>			
30385723	ACM360-M1 Bluetooth Adaptor	Wireless alternative to cables. See pg. 75	245

# Commercial Compact Scales

## ICS226

### The Compact Checkweigher

#### Ergonomic and Mobile Design

ICS226 provides double zero/tare keys and an intuitive indicator to increase productivity, along with a built-in rechargeable battery and removable handle for mobile weighing applications.

#### Highly Durable

Full stainless steel housing and stainless steel load cell provide a long life, even in wet and harsh environments, with IP65/IP57 ingress protection ratings.

#### Easy to Clean

Hygienic design supports an easy, fast and efficient cleaning procedure.

[www.mt.com/ics226](http://www.mt.com/ics226)

**Protection Rating** IP67 terminal; IP65 Platform

**Interfaces** RS232

**Housing** Stainless Steel

**Display** 7 segment LCD with backlight



Material Number	Description	Maximum Capacity	Power Supply	Readability	Weighing Pan Dimensions (D x W)	List Price (CAD)
30083480	Compact Scale ICS226-QA3F-US	6 lb	100...240VAC, 50/60 Hz	0.002 lb	8.98 in x 8.98 in	905
30083483	Compact Scale ICS226-QA3FCL-US		6V Ni-MH rechargeable battery 3800 mAh			1,120
30083481	Compact Scale ICS226-QA6F-US	15 lb	100...240VAC, 50/60 Hz	0.005 lb		895
30083484	Compact Scale ICS226-QA6FCL-US		6V Ni-MH rechargeable battery 3800 mAh			1,120
30083482	Compact Scale ICS226-QA15F-US	30 lb	100...240VAC, 50/60 Hz	0.01 lb		940
30083485	Compact Scale ICS226-QA15F-CL-US		6V Ni-MH rechargeable battery 3800 mAh			1,120

### ICS226 Accessories

Material Number	Description	Order Notes	List Price (CAD)
<b>Cables (always delivered with 90° angled M12 plug)</b>			
22021088	Cable M12-R/A RS232-female SUBD9	RS232 - Cable for PC (3m, 8pin M12 <-> 9pin Sub D receptacle female)	184
<b>Columns</b>			
30104487	Kits Column Assy. ICS226	Short Column	143
<b>Rear Mount Bracket</b>			
72246476	Bracket 1 ICS2xx	Bracket to rear mount ICS226	62
<b>Bluetooth Connectivity</b>			
30385723	ACM360-M1 Bluetooth Adaptor	Wireless alternative to cables. See pg. 75	245

# Applied Bench Scales

## ICS4\_9 Combi Bench Configured

IP66 IP68 IP69k

### Speed up Production

#### Optimize your production processes

An optimal combination between terminal and weighing platform (f-, f- or c-version) leads to less production failure and speeds up your productivity.

#### Resist wet and harsh 24/7

All parts have been built according to the latest hygienic design guidelines supporting an easy, fast and efficient cleaning procedure.

#### Hygienic Design

Column versions integrate the column and the terminal as a single enclosure. This design has full welds, double sealing, purge valve, and IP69k protection.



[www.mt.com/over-under-checkweighers](http://www.mt.com/over-under-checkweighers)

#### Standard Features

- RS232 interface default standard
- Optional battery
- LCD with backlighting Display
- IP68 & 69 protection
- Event and error message
- Basic weighing & Average weighing
- Aluminum Potted, Stainless Steel Potted, or Stainless Steel Hermetically Sealed
- **"F" (Front Mount)** versions have the load cell cable cut to size. So they cannot be changed to Table versions in the field

#### Approvals

- NTEP 5000d Legal for Trade; Resolutions up to 15000d in all other applications.

Model	ICS429	ICS439	ICS449	ICS469
Applications				
Color TFT display				
colorWeight®			•	•
Five configurable soft keys			•	•
Numeric (n) / alphanumeric (a) keypad		n		n
Additional interface options	1	1	1	1
Attachable platforms	1	1	2*	2*

\* Connection of a second scale to ICS449 and ICS469 is limited to SICSpro- or SICS-interface  
 \*\* Maximum 2 analog, or 2 IDNet platforms respectively 1 analog plus 1 IDNet



Material Number	Material Description	List Price (CAD)
64087986	Bench Scale ICS4_9	850

Base Model														
I	C	S	4	2	9	S	ICS429 Straight Weighing							
I	C	S	4	3	9	S	ICS439 Straight Weighing							
I	C	S	4	4	9	U	ICS449 Check Weighing							
I	C	S	4	6	9	U	ICS469 Check Weighing							
-	-	-	-	-	-	-	<b>Construction</b>							
-	-	-	-	-	-	-	T	Table version						
-	-	-	-	-	-	-	F	Front Mount version						
-	-	-	-	-	-	-	C	Column version						
-	-	-	-	-	-	-	L	ICS429 Table + Metal Keypad						
-	-	-	-	-	-	-	M	ICS429 Column version + Metal Keypad						
-	-	-	-	-	-	-	<b>Capacity</b>							
-	-	-	-	-	-	-	2	Max = 3kg / 6lb						
-	-	-	-	-	-	-	3	Max = 6kg / 12lb						
-	-	-	-	-	-	-	4	Max = 15kg / 30lb						
-	-	-	-	-	-	-	5	Max = 30kg / 60lb						
-	-	-	-	-	-	-	8	Max = 60kg / 120lb						
-	-	-	-	-	-	-	<b>Platform Size</b>							
-	-	-	-	-	-	-	D	A = 240 x 300 mm (9.5" x 12")						
-	-	-	-	-	-	-	E	BB = 300 x 400 mm (12" x 16")						
-	-	-	-	-	-	-	F	B = 400 x 500 mm (16" x 20")						
-	-	-	-	-	-	-	Q	QA = 229 x 229 mm (9" x 9")						
-	-	-	-	-	-	-	R	QB = 305 x 305 mm (12" x 12")						
-	-	-	-	-	-	-	<b>Resolution</b>							
-	-	-	-	-	-	-	T	NTEP 1 x 5,000d						
-	-	-	-	-	-	-	<b>First Scale</b>							
-	-	-	-	-	-	-	G	0	Analog (PBA226)					
-	-	-	-	-	-	-	B	0	Analog (PBA426)					
-	-	-	-	-	-	-	D	0	Analog (PBA429)					
-	-	-	-	-	-	-	-	-	<b>First + Second Interface Option</b>					
-	-	-	-	-	-	-	A	0	0	RS232 + None				
-	-	-	-	-	-	-	B	0	0	RS232 + RS232				
-	-	-	-	-	-	-	D	0	0	RS232 + RS422/485				
-	-	-	-	-	-	-	E	0	0	RS232 + Ethernet				
-	-	-	-	-	-	-	U	0	0	RS232 + USB Device				
-	-	-	-	-	-	-	H	0	0	RS232 + USB Host				
-	-	-	-	-	-	-	C	0	0	RS232 + Digital I/O				
-	-	-	-	-	-	-	W	0	0	RS232 + WLAN				
-	-	-	-	-	-	-	-	-	-	<b>Power Option</b>				
-	-	-	-	-	-	-	A	-	-	120VAC, North American Plug				
-	-	-	-	-	-	-	K	-	-	220VAC, BR Plug				
-	-	-	-	-	-	-	M	-	-	Battery, North American Plug				
-	-	-	-	-	-	-	2	-	-	Battery, BR Plug				
-	-	-	-	-	-	-	-	-	-	<b>IP Protection</b>				
-	-	-	-	-	-	-	3	-	-	IP65 Protection				
-	-	-	-	-	-	-	6	-	-	IP67 Protection				
-	-	-	-	-	-	-	8	-	-	IP69k Protection				
-	-	-	-	-	-	-	4	-	-	IP65 Protection + Alibi Memory				
-	-	-	-	-	-	-	G	-	-	IP67 Protection + Alibi Memory				
-	-	-	-	-	-	-	H	-	-	IP69k Protection + Alibi Memory				
I	C	S	4		9		T		0		0	0		

Material Number	Material Description	List Price (CAD)
64087986	Bench Scale ICS4_9	850

## ICS4\_9 Combi Bench Configured Options

Material Description	1	2	3	4	5	6	7	8	9	Order Notes	List Price (CAD)
<b>3 Type of Construction</b>											
Front mount version			F								72
Table version			T								72
Column version 429/439			C								700
Column version 449/469			C								790
ICS429 Table + Metal Keypad			L								377
ICS429 Column version + Metal Keypad			M								1,005
<b>1 2 4 5 Base Model</b>											
ICS429a-A15	2	S		4	D						515
ICS429a-A3	2	S		2	D						515
ICS429a-A6	2	S		3	D						515
ICS429a-B30	2	S		5	R					B platforms are not available for c-version	800
ICS429a-B60	2	S		2	D					B platforms are not available for c-version	800
ICS429a-BB30	2	S		5	E						605
ICS429a-BB60	2	S		8	R						605
ICS429a-QA3	2	S		3	D						495
ICS429a-QA6	2	S		4	D						495
ICS429a-QB15	2	S		5	E						560
ICS429a-QB30	2	S		2	D						560
ICS429a-QB60	2	S		3	D						560
ICS439a-A15	3	S		4	D						690
ICS439a-A3	4	S		4	D						690
ICS439a-A6	3	S		2	D						690
ICS439a-B30	3	S		5	F					B platforms are not available for c-version	960
ICS439a-B60	3	S		8	F					B platforms are not available for c-version	960
ICS439a-BB30	3	S		5	E						780
ICS439a-BB60	3	S		8	E						780
ICS439a-QA3	3	S		2	D						680
ICS439a-QA6	3	S		3	D						680
ICS439a-QB15	3	S		4	R						720
ICS439a-QB30	3	S		5	R						720
ICS439a-QB60	3	S		8	R						720
ICS449a-check-A15	4	C		4	D						690
ICS449a-check-A3	4	C		2	D						690
ICS449a-check-A6	4	C		3	D						690
ICS449a-check-B30	4	C		5	R						960
ICS449a-check-B60	4	C		2	D						960
ICS449a-check-BB30	4	C		5	E						780
ICS449a-check-BB60	4	C		8	R						780
ICS449a-check-QA3	4	C		3	D						680
ICS449a-check-QA6	4	C		4	D						680
ICS449a-check-QB15	4	C		5	E						720
ICS449a-check-QB30	4	C		2	D						720
ICS449a-check-QB60	4	C		3	D						720
ICS469a-check-A15	6	C		4	D						915
ICS469a-check-A3	6	C		4	D						915

Effective July 1, 2018 Prices Subject to Change



I	C	S	4	9						T	0	0	0								
Material Description										1	2	3	4	5	6	7	8	9	Order Notes	List Price (CAD)	
<b>1 2 4 5 Base Model(continued)</b>																					
ICS469a-check-A6										6	C		2	D							915
ICS469a-check-B30										6	C		5	F							1,185
ICS469a-check-B60										6	C		8	F							1,185
ICS469a-check-BB30										6	C		5	E							1,005
ICS469a-check-BB60										6	C		8	E							1,005
ICS469a-check-QA3										6	C		2	D							905
ICS469a-check-QA6										6	C		3	D							905
ICS469a-check-QB15										6	C		4	R							960
ICS469a-check-QB30										6	C		5	R							960
ICS469a-check-QB60										6	C		8	R							960
<b>6 Weighing Platform</b>																					
Analog (PBA226)															G						0
Analog (PBA426)															B						225
Analog (PBA429)															D						510
<b>7 Interfaces</b>																					
First+Second interface RS232+Digital I/O															C						416
First+Second interface RS232+Ethernet															E						590
First+Second interface RS232+RS232															B						304
First+Second Interface RS232+RS422/485															D						346
First+Second Interface RS232+USB Device															U						398
First+Second interface RS232+USB Host															H						489
First+Second interface RS232+WLAN															W						1,120
<b>8 Power</b>																					
120VAC, North American plug															A						47
Internal battery, North American plug															M			T or F versions		383	
Internal battery, North American plug															M			C version		459	
<b>9 Protection + Alibi</b>																					
IP65 (PBA226)																		3			0
IP67 (PBA426)																		6			0
IP69k (PBA429)																		8			0
IP65 (PBA226) + Alibi Memory																		4			61
IP67 (PBA426) + Alibi Memory																		G			61
IP69k (PBA429) + Alibi Memory																		H			61

## ICS4\_9 Combi Bench Configured Accessories

Material Number	Material Description	Order Notes	List Price (CAD)
<b>Communication Cables (always delivered with 90° angled M12 plug for use with ICSxx9)</b>			
22021087	Cable M12-R/A RS232-male SUBD9	RS232 - cable for SICS scale X-Base (3m, 8pin M12 <-> 9pin Sub D plug male) or printer	178
22021088	Cable M12-R/A RS232-female SUBD9	RS232 - Cable for PC (3m, 8pin M12 <-> 9pin Sub D receptacle female)	184
22021090	Cable M12-R/A Ethernet-RJ45 5.0m	Ethernet 10/100 Base T twisted pair cable (5m, 4pin M12 Coding D <-> RJ45)	152
22021091	Cable M12-R/A Ethernet-RJ45 20.0m	Ethernet 10/100 Base T twisted pair cable (20m, 4pin M12 Coding D <-> RJ45)	271
30220582	Cable M12 USB Female Type A 0.2m	Cable M12 USB Host 0.2m	188
22021092	Cable M12-R/A USB Male Typ A 3.0m	USB Device Cable M12 male, Type A for connection to PC	155
22021089	Cable M12-R/A RS422/485-Open Ends	RS422/RS485 - Cable (3m, 6pin M12 <-> open end)	135
22021093	Cable M12-R/S Digital I/O-Open Ends	Cable to connect Digital I/O option with Relaybox (10m, 12pin M12 <-> open ends)	287
<b>Field Install Kits</b>			
72243265	KOP, 2nd Analog Scale Card ICSxx9	Do not use with column version	402
72243266	1xIDNet ICS4x9/6x9	Table or Front Mount.	387
30254893	KOP,SICS Pro,ICSXX9,T OR F (1st Scale)	Table or Front Mount. SICSpro 1st Scale	376
64086208	KOP,RS422/485,C,ICS4X9 SICSpro 2nd Sc	Column Only. Cable not included.	560
64086203	KOP,RS422/485,T,ICS4X9 SICSpro 2nd Sc	Table or Front Mount. Cable not included.	424
64086206	KOP,RS232,C,ICS4X9	Column only. Cable not included.	560
64086201	KOP,RS232,T,ICS4X9,ICS6X9	Table or Front Mount. Cable not included.	424
64086210	KOP,ETHERNET,C,ICS4X9	Column only. Includes 5m cable RJ45.	875
64086205	KOP,ETHERNET,T,ICS4X9	Table or Front Mount. Includes 5m cable RJ45.	720
30254894	KOP,USB Host,ICS4X9,H Column	Column Only. USBHost. .2m cable included (female)	690
30254892	KOP,USB Host,ICSXX9,T OR F	Table or Front Mount. USBHost. .2m cable included (female)	690
64086352	KOP, WLAN, ICSxx9, T/F	Table or Front Mount.	1,185
64086353	KOP, WLAN, ICSxx9, C	Column Only.	1,215
64086209	KOP, USB Device-C	Column Only. USB Device. Includes 3m cable (male) typ A	605
64086204	KOP, USB Device-ICSxx9 T/F	Table or Front. USB Device. Includes 3m cable (male) typ A	434
64086207	KOP,DIGITAL I/O,C,ICS4X9	Column Only. Cable not included.	650
64086202	KOP,DIGITAL I/O,T,ICSxx9	Table or Front Mount. Cable not included.	455
<b>Software</b>			
30092787	DatablCS Software Full License	Download from www.mt.com, then send SO with MAC ID to Technical Support.	329
<b>Stainless Steel Columns</b>			
72198702	Stand Acces S.S 330mm PBA220	Column 13" SS Open Back	171
72198703	Stand Acces S.S 660mm PBA220	Column 26" SS Open Back	195
72198704	Stand Acces S.S 900mm PBA220	Column 35.5" SS Open Back	205
<b>Mounting Brackets- Only necessary if changing from T to F or vice versa. T versions come with standard U bracket.</b>			
72243269	Table stand ICS4x9/6x9	Table Mounting Stand for ICSxx9 (M8 Hole)	98
72243270	Fix stand ICS4x9	Bracket for 4x9 front mounting	96
72249701	Fix stand ICS6x9	Bracket for 689 front mounting	98
<b>Stainless Steel Accessories</b>			
22021109	Protective Cover Terminals ICS4x9	Protective Cover for Terminals ICS4_9 (Set of 5 pieces)	83
<b>Digital I/O</b>			
22011967	Relay box Interface 4 IND690	Relaybox for Digital I/O option (same as for IND690)	615
<b>Bluetooth Connectivity</b>			
30385723	ACM360-M1 Bluetooth Adaptor	Wireless alternative to cables. See pg. 75	245

Material Number	Material Description	Order Notes	List Price (CAD)
<b>Battery Spare Parts</b>			
30236334	Internal Battery Li-Ion ICS4x9/689	Requires a service technician to replace	call
<b>Plugs IP67* (M12 plug) * Supplied as IP67</b>			
22022056	Set RS232 Counter Plug (8pin,M12)	RS232 Counter Plug (8pin, M12)	215
22022058	Set ETH Counter Plug (4pin,M12)	Ethernet Counter Plug (4pin, Coding D, M12)	167
22022059	Set USB Counter Plug (4pin,M12)	USB Counter Plug (4pin, Coding A, M12)	186
<b>US Power Cords</b>			
72243747	Powercord US,25000mm,10A,UL	North American power cord/plug for power supply, use with #72263693	53
72263693	Power Supply M12 ICSxx5	Power Supply, M12 straight, use with #72243747	205

# Applied Bench Scales

## ICS689 Combi Bench Configured



### Excellence Results

#### Efficient weighing procedures

An optimal combination between terminal and weighing platform (f-, f- or c-version) leads to less production failure and speeds up your productivity.

#### Track and trace your results

Regulatory compliance requirements are made easier using our User Management, Alibi Memory, Routine Test and Calibration Log features.

#### Highest comfort in manual operation

All you need for Basic & Over/Under checkweighing & Classifying. Classifying is checkweighing with multiple weight ranges. The colorWeight function® improves your throughput.

[www.mt.com/over-under-checkweighers](http://www.mt.com/over-under-checkweighers)



#### Standard Features

- User Prompting
- User management function
- Double sealed terminals with IP69K protection
- Alibi memory to assure compliance
- PBA430 base- most accurate, hygienic, and durable bench scale (IP69k) EHEDGE Cert.
- Counting Statistics software
- Software to administer/manage database
- Scale embedded database (up to 30,000 articles with DataBICS)
- Long lasting piezo Alphanumeric keypad and 5 soft keys
- Optional battery, WLAN, USB Host, USB Device, Ethernet interfaces
- Hardkeys can be deactivated to prevent incorrect key press
- Counting, Over/Under Checkweighing, Totalizing, and classifying
- ColorWeight® function
- Color TFT Display (320 x 240 pixels)
- 5 Configurable Softkeys
- Selectable display modes, as well as event & error message
- **"F" (Front Mount)** versions have the load cell cable cut to size. So they cannot be changed to Table versions in the field

#### Approvals

- NTEP 5000d Legal for Trade; Resolutions up to 15000d in all other applications.



Material Number	Material Description	List Price (CAD)
30240604	Combi Bench Scale ICS689	2,010

Base Model																	
I	C	S	6	8	9	F											
-	-	-	-	-	-	-	ICS689 Multi Functional										
-	-	-	-	-	-	-	<b>Construction</b>										
-	-	-	-	-	-	-	T	Terminal only									
-	-	-	-	-	-	-	F	Front mount version									
-	-	-	-	-	-	-	C	Column version									
-	-	-	-	-	-	-	L	ICS689 Table + Metal Keypad									
-	-	-	-	-	-	-	M	ICS689 Column version + Metal Keypad									
-	-	-	-	-	-	-	<b>Capacity</b>										
-	-	-	-	-	-	-	2	Max = 3kg / 6lb									
-	-	-	-	-	-	-	3	Max = 6kg / 12lb									
-	-	-	-	-	-	-	4	Max = 15kg / 30lb									
-	-	-	-	-	-	-	5	Max = 30kg / 60lb									
-	-	-	-	-	-	-	8	Max = 60kg / 120lb									
-	-	-	-	-	-	-	A	Max = 150kg / 300lb									
-	-	-	-	-	-	-	B	Max = 300kg / 600lb									
-	-	-	-	-	-	-	C	Max = 600kg / 1200lb									
-	-	-	-	-	-	-	<b>Platform Size</b>										
-	-	-	-	-	-	-	D	A = 240 x 300 mm (9.5" x 12")									
-	-	-	-	-	-	-	E	BB = 300 x 400 mm (12" x 16")									
-	-	-	-	-	-	-	F	B = 400 x 500 mm (16" x 20")									
-	-	-	-	-	-	-	G	BC = 500 x 650 mm (20" x 25")									
-	-	-	-	-	-	-	H	CC = 600 x 800 mm (24" x 32")									
-	-	-	-	-	-	-	Q	QA = 229 x 229 mm (9" x 9")									
-	-	-	-	-	-	-	R	QB = 305 x 305 mm (12" x 12")									
-	-	-	-	-	-	-	S	QC = 457 x 457 mm (18" x 18")									
-	-	-	-	-	-	-	<b>Resolution</b>										
-	-	-	-	-	-	-	T	NTEP 5,000d									
-	-	-	-	-	-	-	-	<b>First Scale</b>									
-	-	-	-	-	-	-	E	0	Analog (PBA430)								
-	-	-	-	-	-	-	-	-	<b>First + Second Interface Option</b>								
-	-	-	-	-	-	-	A	RS232 + None									
-	-	-	-	-	-	-	B	RS232 + RS232									
-	-	-	-	-	-	-	D	RS232 + RS422/485									
-	-	-	-	-	-	-	U	RS232 + USB Device									
-	-	-	-	-	-	-	H	RS232 + USB Host									
-	-	-	-	-	-	-	C	RS232 + Digital I/O									
-	-	-	-	-	-	-	E	RS232 + Ethernet									
-	-	-	-	-	-	-	W	RS232 + WLAN									
-	-	-	-	-	-	-	-	-	<b>Third Interface</b>								
-	-	-	-	-	-	-	0	None									
-	-	-	-	-	-	-	B	RS232									
-	-	-	-	-	-	-	D	RS422/485									
-	-	-	-	-	-	-	E	Ethernet									
-	-	-	-	-	-	-	W	WLAN									
-	-	-	-	-	-	-	U	USB Device									
-	-	-	-	-	-	-	-	-	<b>Fourth Interface</b>								
-	-	-	-	-	-	-	0	None									
-	-	-	-	-	-	-	B	RS232									
-	-	-	-	-	-	-	D	RS422/485									
-	-	-	-	-	-	-	H	USB Host									
-	-	-	-	-	-	-	X	2nd Analog Scale									
-	-	-	-	-	-	-	I	2nd IDNet Scale									
-	-	-	-	-	-	-	-	-	<b>Power Option</b>								
-	-	-	-	-	-	-	A	8	120VAC, North American Plug								
-	-	-	-	-	-	-	K	8	220VAC, BR Plug								
-	-	-	-	-	-	-	M	8	Battery, North American Plug								
-	-	-	-	-	-	-	2	8	Battery, BR Plug								
I	C	S	6	8	9	F			T	E	0						8

Material Number	Material Description	List Price (CAD)
30240604	Combi Bench Scale ICS689	2,010

## ICS6\_9 Combi Bench Configured Options

I	C	S	6	8	9	F				T	E	O				8	
Material Description							1	2	3	4	5	6	7	Order Notes	List Price (CAD)		
<b>1 Type of Construction</b>																	
Column version							C							For c-version no third interface option possible. B, BC, CC, QC platforms are not available for c-version	765		
Front mount version							F								81		
Table version							T								75		
ICS689 Table + Metal Keypad							L								380		
ICS689 Column version + Metal Keypad							M								1,070		
<b>2 Base Model</b>																	
ICS689g-A15								4	D						2,005		
ICS689g-A3								2	D						2,005		
ICS689g-A6								3	D						2,005		
ICS689g-B30								5	F					B, BC, CC, QC platforms are not available for c-version	2,840		
ICS689g-B60								8	F						2,840		
ICS689g-BB30								5	E						2,380		
ICS689g-BB60								8	E						2,380		
ICS689g-QA6								3	Q					QA6 platform is only available for t- or d-version	1,950		
ICS689g-QB15								4	Q						2,210		
ICS689g-QB30								5	Q						2,210		
ICS689g-QB60								8	Q						2,210		
<b>6 Second Scale Interface</b>																	
First+Second interface RS232+Digital I/O										C					411		
First+Second interface RS232+Ethernet										E					590		
First+Second interface RS232+RS232										B					304		
First+Second interface RS232+RS422/485										D					304		
First+Second interface RS232+USB Device										U					411		
First+Second interface RS232+USB Host										H					489		
First+Second interface RS232+WLAN										W					1,120		
<b>7 Third Interface</b>																	
Third interface Ethernet											E			For c-version no third interface option possible	590		
Third interface RS232											B			For c-version no third interface option possible	304		
Third interface RS422/485 (Dig.Scale)											D			For c-version no third interface option possible	304		
Third interface USB Device											U			For c-version no third interface option possible	411		
Third interface WLAN											W			For c-version no third interface option possible	1,120		
<b>8 Fourth Interface</b>																	
Fourth interface 2nd Analog scale												X			348		
Fourth interface 2nd IDNet scale												I			348		
Fourth interface RS232												B			304		
Fourth interface RS422/485 (Dig.Scale)												D			304		
Fourth interface USB Host												H			489		
<b>9 Power Option</b>																	
120VAC, North American plug													A		47		
Internal battery, North American plug													M		383		

## ICS6\_9 Combi Bench Configured Accessories

Material Number	Material Description	Order Notes	List Price (CAD)
<b>Communication Cables (always delivered with 90° angled M12 plug for use with ICSxx9)</b>			
22021087	Cable M12-R/A RS232-male SUBD9	RS232 - cable for SICS scale X-Base (3m, 8pin M12 <-> 9pin Sub D plug male) or printer	176
22021088	Cable M12-R/A RS232-female SUBD9	RS232 - Cable for PC (3m, 8pin M12 <-> 9pin Sub D receptacle female)	184
22021090	Cable M12-R/A Ethernet-RJ45 5.0m	Ethernet 10/100 Base T twisted pair cable (5m, 4pin M12 Coding D <-> RJ45)	152
22021091	Cable M12-R/A Ethernet-RJ45 20.0m	Ethernet 10/100 Base T twisted pair cable (20m, 4pin M12 Coding D <-> RJ45)	271
30220582	Cable M12 USB Female Type A 0.2m	Cable M12 USB Host 0.2m	188
22021092	Cable M12-R/A USB Male Typ A 3.0m	USB Device Cable M12 male, Type A for connection to PC	155
22021089	Cable M12-R/A RS422/485-Open Ends	RS422/RS485 - Cable (3m, 6pin M12 <-> open end)	135
22021093	Cable M12-R/S Digital I/O-Open Ends	Cable to connect Digital I/O option with Relaybox (10m, 12pin M12 <-> open ends)	287
<b>Field Install Kits</b>			
72243265	KOP, 2nd Analog Scale Card ICSxx9	Do not use with column version	402
72243266	1xIDNet ICS4x9/6x9	Table or Front Mount.	387
30254893	KOP,SICS Pro,ICSXX9,T OR F (1st Scale)	Table or Front Mount. SICSpro 1st Scale	376
64086208	KOP,RS422/485,C,ICS4X9 SICSpro 2nd Sc	Column Only. Cable not included.	560
64086203	KOP,RS422/485,T,ICS4X9 SICSpro 2nd Sc	Table or Front Mount. Cable not included.	424
64086206	KOP,RS232,C,ICS4X9	Column only. Cable not included.	560
64086201	KOP,RS232,T,ICS4X9,ICS6X9	Table or Front Mount. Cable not included.	424
64086210	KOP,ETHERNET,C,ICS4X9	Column only. Includes 5m cable RJ45.	875
64086205	KOP,ETHERNET,T,ICS4X9	Table or Front Mount. Includes 5m cable RJ45.	720
30254894	KOP,USB Host,ICS4X9,H Column	Column Only. USBHost. .2m cable included (female)	690
30254892	KOP,USB Host,ICSXX9,T OR F	Table or Front Mount. USBHost. .2m cable included (female)	690
64086352	KOP, WLAN, ICSxx9, T/F	Table or Front Mount.	1185
64086353	KOP, WLAN, ICSxx9, C	Column Only.	1,215
64086209	KOP, USB Device-C	Column Only. USB Device. Includes 3m cable (male) typ A	605
64086204	KOP, USB Device-ICSxx9 T/F	Table or Front. USB Device. Includes 3m cable (male) typ A	434
64086207	KOP,DIGITAL I/O,C,ICS4X9	Column Only. Cable not included.	650
64086202	KOP,DIGITAL I/O,T,ICSxx9	Table or Front Mount. Cable not included.	455
<b>Software</b>			
30092787	DatablCS Software Full License	Download from www.mt.com, then send PO with MAC ID	329
<b>Stainless Steel Columns</b>			
72198702	Stand Acces S.S 330mm PBA220	Column 13" SS Open Back	171
72198703	Stand Acces S.S 660mm PBA220	Column 26" SS Open Back	195
72198704	Stand Acces S.S 900mm PBA220	Column 35.5" SS Open Back	205
<b>Mounting Brackets- Only necessary if changing from T to F or vice versa. T versions come with standard U bracket.</b>			
72243269	Table stand ICS4x9/6x9	Table Mounting Stand for ICSxx9 (M8 Hole)	98
72243270	Fix stand ICS4x9	Bracket for 4x9 front mounting	96
72249701	Fix stand ICS6x9	Bracket for 6x9 front mounting	98
<b>Stainless Steel Accessories</b>			
22021109	Protective Cover Terminals ICS4x9	Protective Cover for Terminals ICS4_9 (Set of 5 pieces)	83
<b>Digital I/O</b>			
22011967	Relais box Interface 4 IND690	Relaybox for Digital I/O option (same as for IND690)	615
<b>Bluetooth Connectivity</b>			
30385723	ACM360-M1 Bluetooth Adaptor	Wireless alternative to cables. See pg. 75	245

Material Number	Material Description	Order Notes	List Price (CAD)
<b>Battery Spare Parts</b>			
30236334	Internal Battery Li-Ion ICS4x9/689	Requires a service technician to replace	call
<b>Plugs IP67* (M12 plug) * Supplied as IP67</b>			
22022056	3et RS232 Counter Plug (8pin,M12)	RS232 Counter Plug (8pin, M12)	215
22022058	Set ETH Counter Plug (4pin,M12)	Ethernet Counter Plug (4pin, Coding D, M12)	167
22022059	Set USB Counter Plug (4pin,M12)	USB Counter Plug (4pin, Coding A, M12)	186
<b>US Power Cords</b>			
72243747	Powercord US,25000mm,10A,UL	North American power cord/plug for power supply, use with #72263693	53
72263693	Power Supply M12 ICSxx5	Power Supply, M12 straight, use with #72243747	205



# Commercial Bench Platforms

## PBA220



### Cost Optimized Quality Solution

#### Reliable and Accurate

The PBA220 platform is an OIML, NTEP and MC approved cost-effective solution for a wide range of weighing tasks in any dry environment.

#### Stable and Rugged

The powder coated steel load frame and the stainless steel load plate allow a high durability and accurate weighing results.

#### Damage Protected

The PBA220 platform features six optimal adjusted overload stops, which ensure the best possible protection against weighing cell overload.



[www.mt.com/pba220](http://www.mt.com/pba220)

#### Standard Features

- Up to six overload stops
- Rectangular and Square sizes
- Painted steel frame
- IP67 ingress protection
- Aluminum models MT1022, MT1241 analog load cells

#### Approvals

- NTEP# 08011A2, Measurement Canada #AM-5673

#### Scale Interface

Analog

#### Material

Powder Coated Carbon Steel

Material Number	Description	Maximum Capacity	NTEP Resolution	Dimensions (L x W)	Measurement Canada Max/Emin**	Cable Length	List Price (CAD)
72195849	PBA220-A6B	15 lb / 6 kg	0.005 lb / 2 g	9.5 in x 11.8 in / 240 mm x 300 mm	6kg / 0.002kg	3.3 ft / 1 m	895
72195850	PBA220-A15B	30 lb / 15 kg	0.01 lb / 5 g		15kg / 0.005 kg		895
72195851	PBA220-BB35B	150 lb / 60 kg	0.05 lb / 20 g	11.8 in x 15.7 in / 300 mm x 400 mm	60kg / 0.02kg	6.6 ft / 2 m	1,090
72195852	PBA220-BB60B			15.7 in x 19.7 in / 400 mm x 500 mm			1,110
72195853	PBA220-B60B			19.7 in x 25.6 in / 500 mm x 650 mm			1,345
72195855	PBA220-BC60B			23.6 in x 31.5 in / 600 mm x 800 mm			1,515
72195858	PBA220-CC60B	300 lb / 150 kg	0.1 lb / 50 g	15.7 in x 19.7 in / 400 mm x 500 mm	150kg / 0.05kg		1,345
72195856	PBA220-BC150B			19.7 in x 25.6 in / 500 mm x 650 mm			1,515
72195859	PBA220-CC150B			23.6 in x 31.5 in / 600 mm x 800 mm			1,950
72195857	PBA220-BC300B	600 lb / 300 kg	0.2 lb / 100 g	19.7 in x 25.6 in / 500 mm x 650 mm	300kg / 0.1kg		1,515
72195860	PBA220-CC300B			23.6 in x 31.5 in / 600 mm x 800 mm			1,950

Material Number	Description	Maximum Capacity	NTEP Resolution	Dimensions (L x W)	Measurement Canada Max/ Emin**	Cable Length	List Price (CAD)
72195882	PBA220-QA6B	15 lb / 6 kg	0.005 lb / 2 g	9 in x 9 in / 229 mm x 229 mm	6kg / 0.002kg	3.3 ft / 1 m	790
72195883	PBA220-QB15B	30 lb / 15 kg	0.01 lb / 5 g	12 in x 12 in / 305 mm x 305 mm	15kg / 0.005kg	6.6 ft / 2 m	950
72195884	PBA220-QB35B	60 lb / 35 kg	0.02 lb / 10 g		30kg / 0.01kg		950
72195885	PBA220-QB60B	150 lb / 60 kg	0.05 lb / 20 g		60kg / 0.02kg		950
72195886	PBA220-QC60B			18 in x 18 in / 457 mm x 457 mm	N/A		1,355
72195888	PBA220-QD60B			24 in x 24 in / 610 mm x 610 mm	60kg / 0.02kg		1,705
72195887	PBA220-QC150B	300 lb / 150 kg	0.1 lb / 50 g	18 in x 18 in / 457 mm x 457 mm	150kg / 0.05kg		1,355
72195889	PBA220-QD150B			24 in x 24 in / 610 mm x 610 mm			1,705
72195890	PBA220-QD300B	600 lb / 300 kg	0.2 lb / 100 g	24 in x 24 in / 610 mm x 610 mm	300kg / 0.1kg		1,735

## PBA220 Accessories

Material Number	Material Description	Order Notes	List Price (CAD)
<b>Ball top, galvanized balls, painted mild steel</b>			
72198691	Balltop Acces B	Ball Mat 400 x 500 mm	540
72198692	Balltop Acces BC	Ball Mat 500 x 650 mm	670
72198693	Balltop Acces CC	Ball Mat 600 x 800 mm	730
72198694	Balltop Acces QC	Ball Mat 457 x 457 mm	540
72198695	Balltop Acces QD	Ball Mat 610 x 610 mm	670
<b>Wheeled Bench Scale Stands</b>			
503631	Wheeled Stand B size, black powder coat	Requires K-Line feet to fit all scales except PBA430	580
503632	Wheeled Stand B size S.S	Requires K-Line feet to fit all scales except PBA430	930
504853	Wheeled Stand CC size, black powder coat	Requires K-Line feet to fit all scales except PBA430	875
504854	Wheeled Stand CC size S.S	Requires K-Line feet to fit all scales except PBA430	1,355
504834	K-Line leveling foot		106.50
<b>Columns Mild Steel</b>			
72198699	Stand Acces C.S 330mm PBA220	Mild Steel Column 13" Open Back	122.50
72198700	Stand Acces C.S 660mm PBA220	Mild Steel Column 26" Open Back	161.50
72198701	STAND CS 900 ACCES	Mild Steel Column 35.5" Open Back	170.50

Material Number	Material Description	Order Notes	List Price (CAD)
<b>Roller Conveyor, galvanized rollers, painted mild steel</b>			
72198689	Rollertop Acces QC	Rolling conveyor 457 x 457 mm	510
72198690	Rollertop Acces QD	Rolling conveyor 610 x 610 mm	670
72198705	Rollertop Acces B	Rolling conveyor 400 x 500 mm, longitudinal	515
72198706	Platter W/Roller Assy. 400x500 II	Rolling conveyor 400 x 500 mm, transverse	497
72198707	Rollertop Acces BC	Rolling conveyor 500 x 650 mm, longitudinal	730
72198708	Platter W/Roller Assy. 500x650 II	Rolling conveyor 500 x 650 mm, transverse	705
72198709	Rollertop Acces CC	Rolling conveyor 600 x 800 mm, longitudinal	810
72198688	Platter W/Roller Assy. 600x800 II	Rolling conveyor 600 x 800 mm, transverse	780
<b>Stainless Steel Columns</b>			
22014834	Floor stand S 1000, ICSxx9	Column 1000mm	970
72198702	Stand Acces S.S 330mm PBA220	Column 13" SS Open Back	170.50
72198703	Stand Acces S.S 660mm PBA220	Column 26" SS Open Back	195
72198704	Stand Acces S.S 900mm PBA220	Column 35.5" SS Open Back	205
<b>Carts</b>			
72198696	Cart Acces PBA220 BC powder coat	Low pro cart 500 x 650 x 130mm (column incl.)	800
72198697	Cart Acces PBA220 CC powder coat	Low pro cart 600 x 800 x 130mm (column incl.)	840

# Commercial Bench Platforms

## PBA226



### For Short Time Wet Environments

#### High Durability

The rugged, electro polished full stainless steel frame ensures a long life time also when used in demanding applications (IP65).

#### Easy to Clean

The open and sturdy platform design, built according to hygienic standards, allowing fast, thorough and easy cleaning.

#### Damage Protected

Optimally placed and specific adjusted overload stops grant the best possible protection against load cell damaging.

[www.mt.com/pba226](http://www.mt.com/pba226)



#### Standard Features

- Rectangular and Square sizes
- IP65 ingress protection
- Aluminum Potted Analog Load Cells
- Up to 15,000d readability (not legal for trade)

#### Approvals

- OIML Class III- 3000e, NTEP Class III-5,000d
- Measurement Canada AM-5760, NTEP #09-073

#### Material

Stainless Steel V2A (AISI 304)

#### Scale Interface

Analog

Material Number	Description	Maximum Capacity	NTEP Resolution	Dimensions (L x W)	Measurement Canada Max/Emin**	Cable Length	List Price (CAD)
72229485	PBA226-A3	5 lb / 3 kg	0.001 lb / 1 g	9.5 in x 11.8 in / 240 mm x 300 mm	2.5kg / 0.5g	4.9 ft / 1.5m	1,215
72229487	PBA226-A6	10 lb / 6 kg	0.002 lb / 2 g		5kg / 1g		1,215
72229489	PBA226-A15	25 lb / 15 kg	0.005 lb / 5 g		10kg / 2g		1,215
72229491	PBA226-BB30	50 lb / 30 kg	0.01 lb / 10 g	11.8 in x 15.7 in / 300 mm x 400 mm	25kg / 5g	6.5 ft / 2 m	1,475
72229492	PBA226-B30			15.7 in x 19.7 in / 400 mm x 500 mm			1,795
72229494	PBA226-BB60	100 lb / 60 kg	0.02 lb / 20 g	11.8 in x 15.7 in / 300 mm x 400 mm	50kg / 10g		1,475
72229495	PBA226-B60			15.7 in x 19.7 in / 400 mm x 500 mm		1,795	
72234426	PBA226-B150	250 lb / 150 kg	0.05 lb / 50 g	15.7 in x 19.7 in / 400 mm x 500 mm	100kg / 20g	9.8 ft / 3 m	1,795

Material Number	Description	Maximum Capacity	NTEP Resolution	Dimensions (L x W)	Measurement Canada Max/Emin**	Cable Length	List Price (CAD)
72229486	PBA226-QA3	5 lb / 3 kg	0.001 lb / 1 g	9 in x 9 in / 229 mm x 229 mm	2.5kg / 0.5g	4.9 ft / 1.5m	1,090
72229488	PBA226-QA6	10 lb / 6 kg	0.002 lb / 2 g		5kg / 1g		1,090
72229490	PBA226-QB15	25 lb / 15 kg	0.005 lb / 5 g		10kg / 2g		1,260
72229493	PBA226-QB30	50 lb / 30 kg	0.01 lb / 10 g	12 in x 12 in / 305 mm x 305 mm	25kg / 5g	6.5 ft / 2 m	1,260
72229496	PBA226-QB60	100 lb / 60 kg	0.02 lb / 20 g	12 in x 12 in / 305 mm x 305 mm	50kg / 10g	6.5 ft / 2 m	1,260
72234425	PBA226-QC60						1,795
72234427	PBA226-QC150	250 lb / 150 kg	0.05 lb / 50 g	18 in x 18 in / 457 mm x 457 mm	100kg / 20g	9.8 ft / 3 m	1,840

**Hygienic Design Kit Included**

To easily reduce on site-contamination, this platform features a hygienic-kit, containing specially designed leveling kits and overload stops.

Material Number	Description	Maximum Capacity	NTEP Resolution	Dimensions (L x W)	Measurement Canada Max/Emin**	Cable Length	List Price (CAD)
72245583	PBA226-A3H	5 lb / 3 kg	0.001 lb / 1 g	9.5 in x 11.8 in / 240 mm x 300 mm	2.5kg / 0.5g	4.9 ft / 1.5 m	1,335
72245584	PBA226-A6H	10 lb / 6 kg	0.002 lb / 2 g		5kg / 1g		1,335
72245585	PBA226-A15H	25 lb / 15 kg	0.005 lb / 5 g		10kg / 2g		1,335
72245586	PBA226-BB30H	50 lb / 30 kg	0.01 lb / 10 g	11.8 in x 15.7 in / 300 mm x 400 mm	25kg / 5g	6.5 ft / 2 m	1,605
72245588	PBA226-B30H			15.7 in x 19.7 in / 400 mm x 500 mm			1,915
72245587	PBA226-BB60H	100 lb / 60 kg	0.02 lb / 20 g	11.8 in x 15.7 in / 300 mm x 400 mm	50kg / 10g		1,605
72245589	PBA226-B60H			15.7 in x 19.7 in / 400 mm x 500 mm			1,915
71211183	PBA226-B150H	250 lb / 150 kg	0.05 lb / 50 g	15.7 in x 19.7 in / 400 mm x 500 mm	100kg / 20g		1,915

Material Number	Description	Maximum Capacity	NTEP Resolution	Dimensions (L x W)	Measurement Canada Max/Emin**	Cable Length	List Price (CAD)
72245590	PBA226-QA3H	5 lb / 3 kg	0.001 lb / 1 g	9 in x 9 in / 229 mm x 229 mm	2.5kg / 0.5g	4.9 ft / 1.5 m	1,225
72245591	PBA226-QA6H	10 lb / 6 kg	0.002 lb / 2 g		5kg / 1g		1,225
72245592	PBA226-QB15H	25 lb / 15 kg	0.005 lb / 5 g		10kg / 2g		1,390
72245593	PBA226-QB30H	50 lb / 30 kg	0.01 lb / 10 g	12 in x 12 in / 305 mm x 305 mm	25kg / 5g	6.5 ft / 2 m	1,390
72245594	PBA226-QB60H	100 lb / 60 kg	0.02 lb / 20 g		50kg / 10g		1,390
71211184	PBA226-QC60H	250 lb / 150 kg	0.05 lb / 50 g	18 in x 18 in / 457 mm x 457 mm	100kg / 20g	10.8 ft / 3.3 m	1,925
71211185	PBA226-QC150H						1,925

**PBA226 Accessories**

Material Number	Description	Order Notes	List Price (CAD)
-----------------	-------------	-------------	------------------

**Stainless Steel Columns**

72198702	Stand Acces S.S 330mm PBA220	Column 13" SS Open Back	170.50
72198703	Stand Acces S.S 660mm PBA220	Column 26" SS Open Back	195
72198704	Stand Acces S.S 900mm PBA220	Column 35.5" SS Open Back	205

# Applied Bench Platforms

## PBA426



### For Challenging Applications

#### High Durability

The rugged, full stainless steel frame & load cell ensures a long life time also when used in harsh & wet environments (IP65/IP67).

#### Easy to Clean

The open and sturdy platform design is built according to hygienic standards and allows fast, thorough and easy cleaning.

#### Damage Protected

Optimally placed and specific adjusted overload stops grant the best possible protection against load cell damaging.

[www.mt.com/pba426](http://www.mt.com/pba426)

#### Standard Features

- Rectangular and Square sizes
- IP65/7 ingress protection
- Stainless Steel Potted Analog Load Cells
- Up to 15,000d readability (not legal for trade)

#### Approvals

- OIML Class III- 3000e, NTEP Class III-5,000d
- Measurement Canada AM-5783, NTEP #10-049
- EX version: ATEX Approved for Zone 1/21, FM Approved IS, Class I, II, III, Division 1 (Load Cell)

#### Material

Stainless Steel V2A (AISI 304)

#### Scale Interface

Analog

#### Order Notes

Hazardous versions listed in HAZARDOUS AREA SOLUTIONS



Material Number	Description	Maximum Capacity	NTEP Resolution	Dimensions (L x W)	Measurement Canada Max/ Emin**	Cable Length	List Price (CAD)
72229533	PBA426-A3	5 lb / 3 kg	0.001 lb / 1 g	9.5 in x 11.8 in / 240 mm x 300 mm	10kg / 2g	9.9 ft / 3 m	1,465
72229535	PBA426-A6	10 lb / 6 kg	0.002 lb / 2 g				1,465
72229537	PBA426-A15	25 lb / 15 kg	0.005 lb / 5 g				1,465
72229539	PBA426-BB30	50 lb / 30 kg	0.01 lb / 10 g	11.8 in x 15.7 in / 300 mm x 400 mm	25kg / 5g		1,735
72229541	PBA426-B30			15.7 in x 19.7 in / 400 mm x 500 mm			2,055
72229542	PBA426-BB60	100 lb / 60 kg	0.02 lb / 20 g	11.8 in x 15.7 in / 300 mm x 400 mm	50kg / 10g		1,735
72229543	PBA426-B60			15.7 in x 19.7 in / 400 mm x 500 mm			2,055

Material Number	Description	Maximum Capacity	NTEP Resolution	Dimensions (L x W)	Measurement Canada Max/ Emin**	Cable Length	List Price (CAD)
72229534	PBA426-QA3	5 lb / 3 kg	0.001 lb / 1 g	9 in x 9 in / 229 mm x 229 mm	10kg / 2g	9.9 ft / 3 m	1,345
72229536	PBA426-QA6	10 lb / 6 kg	0.002 lb / 2 g				1,345
72229538	PBA426-QB15	25 lb / 15 kg	0.005 lb / 5 g	12 in x 12 in / 305 mm x 305 mm	25kg / 5g		1,525
72229540	PBA426-QB30	50 lb / 30 kg	0.01 lb / 10 g				1,525
72229544	PBA426-QB60	100 lb / 60 kg	0.02 lb / 20 g				1,525

**Hygienic Design Kit Included**

To easily reduce on site-contamination, this platform features a hygienic-kit, containing specially designed leveling kits and overload stops.

Material Number	Description	Maximum Capacity	NTEP Resolution	Dimensions (L x W)	Measurement Canada Max/Emin**	Cable Length	List Price (CAD)
72245571	PBA426-A3H	5 lb / 3 kg	0.001 lb / 1 g	9.5 in x 11.8 in / 240 mm x 300 mm	10kg / 2g	9.9 ft / 3 m	1,595
72245572	PBA426-A6H	10 lb / 6 kg	0.002 lb / 2 g				1,595
72245573	PBA426-A15H	25 lb / 15 kg	0.005 lb / 5 g				1,595
72245574	PBA426-BB30H	50 lb / 30 kg	0.01 lb / 10 g	11.8 in x 15.7 in / 300 mm x 400 mm	25kg / 5g		1,855
72245576	PBA426-B30H			15.7 in x 19.7 in / 400 mm x 500 mm			2,185
72245575	PBA426-BB60H	100 lb / 60 kg	0.02 lb / 20 g	11.8 in x 15.7 in / 300 mm x 400 mm	50kg / 10g		1,855
72245577	PBA426-B60H			15.7 in x 19.7 in / 400 mm x 500 mm			2,185

Material Number	Description	Maximum Capacity	NTEP Resolution	Dimensions (L x W)	Measurement Canada Max/Emin**	Cable Length	List Price (CAD)
72245578	PBA426-QA3H	5 lb / 3 kg	0.001 lb / 1 g	9 in x 9 in / 229 mm x 229 mm	10kg / 2g	9.9 ft / 3 m	1,475
72245579	PBA426-QA6H	10 lb / 6 kg	0.002 lb / 2 g				1,475
72245580	PBA426-QB15H	25 lb / 15 kg	0.005 lb / 5 g	12 in x 12 in / 305 mm x 305 mm	25kg / 5g		1,645
72245581	PBA426-QB30H	50 lb / 30 kg	0.01 lb / 10 g				1,645
72245582	PBA426-QB60H	100 lb / 60 kg	0.02 lb / 20 g		50kg / 10g		1,645

**PBA426 Accessories**

Material Number	Description	Order Notes	List Price (CAD)
<b>Stainless Steel Columns</b>			
72198702	Stand Acces S.S 330mm PBA220	Column 13" SS Open Back	170.50
72198703	Stand Acces S.S 660mm PBA220	Column 26" SS Open Back	195
72198704	Stand Acces S.S 900mm PBA220	Column 35.5" SS Open Back	205

# Applied Bench Platforms

## PBA429



### For Demanding Applications

#### High Durability

The rugged, full stainless steel frame & the hermetically sealed load cell ensures a long life time also when used in harsh, wet & humid environments (IP68/ IP69k).

#### Easy to Clean

The open and sturdy platform design is built according to hygienic standards and allows fast, thorough and easy cleaning.

#### Damage Protected

Optimally placed and specific adjusted overload stops grant the best possible protection against load cell damaging.

[www.mt.com/pba429](http://www.mt.com/pba429)



#### Standard Features

- Rectangular and Square sizes
- IP68 / IP69k ingress protection
- Hermetically Sealed Stainless Steel Analog Load Cells
- Up to 15,000d readability (not legal for trade)

#### Approvals

- OIML Class III- 3000e, NTEP Class III-5,000d
- Measurement Canada AM-5783, NTEP #10-049
- EX version: ATEX Approved for Zone 1/21, FM Approved IS, Class I, II, III, Division 1 (Load Cell)

#### Material

Stainless Steel V2A (AISI 304)

#### Scale Interface

Analog

#### Order Notes

Hazardous versions listed in HAZARDOUS AREA SOLUTIONS

Material Number	Description	Maximum Capacity	NTEP Resolution	Dimensions (L x W)	Measurement Canada Max/ Emin**	Cable Length	List Price (CAD)
71211147	PBA429-A3	5 lb / 3 kg	0.001 lb / 1 g	9.5 in x 11.8 in / 240 mm x 300 mm	10kg / 2g	9.9 ft / 3 m	1,885
71211148	PBA429-A6	10 lb / 6 kg	0.002 lb / 2 g				1,885
71211149	PBA429-A15	25 lb / 15 kg	0.005 lb / 5 g				1,885
71211150	PBA429-BB30	50 lb / 30 kg	0.01 lb / 10 g	11.8 in x 15.7 in / 300 mm x 400 mm	25kg / 5g		2,175
71211152	PBA429-B30			15.7 in x 19.7 in / 400 mm x 500 mm			2,490
71211151	PBA429-BB60	100 lb / 60 kg	0.02 lb / 20 g	11.8 in x 15.7 in / 300 mm x 400 mm	50kg / 10g		2,175
71211153	PBA429-B60			15.7 in x 19.7 in / 400 mm x 500 mm			2,490

Material Number	Description	Maximum Capacity	NTEP Resolution	Dimensions (L x W)	Measurement Canada Max/ Emin**	Cable Length	List Price (CAD)
71211154	PBA429-QA3	5 lb / 3 kg	0.001 lb / 1 g	9 in x 9 in / 229 mm x 229 mm	10kg / 2g	9.9 ft / 3 m	1,775
71211155	PBA429-QA6	10 lb / 6 kg	0.002 lb / 2 g				1,775
71211156	PBA429-QB15	25 lb / 15 kg	0.005 lb / 5 g				1,950
71211157	PBA429-QB30	50 lb / 30 kg	0.01 lb / 10 g	12 in x 12 in / 305 mm x 305 mm	25kg / 5g		1,950
71211158	PBA429-QB60	100 lb / 60 kg	0.02 lb / 20 g		50kg / 10g		1,950



**Hygienic Design Kit Included**

To easily reduce on site-contamination, this platform features a hygienic-kit, containing specially designed leveling kits and overload stops.

Material Number	Description	Maximum Capacity	NTEP Resolution	Dimensions (L x W)	Measurement Canada Max/ Emin**	Cable Length	List Price (CAD)
72229521	PBA429-A3H	5 lb / 3 kg	0.001 lb / 1 g	9.5 in x 11.8 in / 240 mm x 300 mm	10kg / 2g	9.9 ft / 3 m	2,025
72229523	PBA429-A6H	10 lb / 6 kg	0.002 lb / 2 g				2,025
72229525	PBA429-A15H	25 lb / 15 kg	0.005 lb / 5 g				2,025
72229527	PBA429-BB30H	50 lb / 30 kg	0.01 lb / 10 g	11.8 in x 15.7 in / 300 mm x 400 mm	25kg / 5g		2,270
72229529	PBA429-B30H			15.7 in x 19.7 in / 400 mm x 500 mm			2,605
72229530	PBA429-BB60H	100 lb / 60 kg	0.02 lb / 20 g	11.8 in x 15.7 in / 300 mm x 400 mm	50kg / 10g		2,270
72229532	PBA429-B60H			15.7 in x 19.7 in / 400 mm x 500 mm			2,605

Material Number	Description	Maximum Capacity	NTEP Resolution	Dimensions (L x W)	Measurement Canada Max/ Emin**	Cable Length	List Price (CAD)
72229522	PBA429-QA3H	5 lb / 3 kg	0.001 lb / 1 g	9 in x 9 in / 229 mm x 229 mm	10kg / 2g	9.9 ft / 3 m	1,905
72229524	PBA429-QA6H	10 lb / 6 kg	0.002 lb / 2 g				1,905
72229526	PBA429-QB15H	25 lb / 15 kg	0.005 lb / 5 g	12 in x 12 in / 305 mm x 305 mm	25kg / 5g		2,080
72229528	PBA429-QB30H	50 lb / 30 kg	0.01 lb / 10 g				2,080
72229531	PBA429-QB60H	100 lb / 60 kg	0.02 lb / 20 g				50kg / 10g

**PBA429 Accessories**

Material Number	Description	Order Notes	List Price (CAD)
<b>Stainless Steel Columns</b>			
72198702	Stand Acces S.S 330mm PBA220	Column 13" SS Open Back	170.50
72198703	Stand Acces S.S 660mm PBA220	Column 26" SS Open Back	195
72198704	Stand Acces S.S 900mm PBA220	Column 35.5" SS Open Back	205

# Applied Bench Platforms

## PBA430



### The Bench Scale for Harsh Environments

#### When Cleanliness Counts

The PBA430 is designed according to the latest hygienic design guide lines. This outstanding product line is designed in accordance with EHEDG, GMP and NSF. In addition, the platforms are suitable for Ex-zone 2/22.

#### The Surface Shows the Quality

The platform surface is electro-polished (except 600x800mm) providing more thorough cleaning and reduced risk of contamination or cross-contamination. The load plate is dishwasher safe.

#### Hermetically Sealed

The load cell is hermetically sealed. The IP69k protection indicates that it is suitable for high pressure cleaning. Even the harshest environments cannot damage this stainless steel load cell.

[www.mt.com/pba430](http://www.mt.com/pba430)



#### Standard Features

- Up to six overload stops
- Up to 30,000d readability (not legal for trade)
- Stainless Steel hermetically sealed model 708/709 analog loadcell
- Square and rectangular sizes
- IP68 & IP69k protection
- Electro-polished Stainless Steel frame (except CC size)

#### Approvals

- USA: NTEP Class III, 5000d, COC #06-067 (except 3 kg & 600 kg capacities)
- Measurement Canada Approval #AM-5606 (except 3 kg & 600 kg capacities)

#### Protection Rating

IP69k; IP68

#### Scale Interface

Analog

#### Material

Stainless Steel V2A (AISI 304)



Material Number	Description	Maximum Capacity	NTEP Resolution	Measurement Canada Max/ Emin**	Dimensions (L x W)	Cable Length	Shipping Weight	List Price (CAD)
22010256	Bench Scale PBA430-A6	10 lb / 3 kg; 6 kg	0.002 lb / 1 g; 2 g	10kg / 2g	9.5 in x 12 in / 240 mm x 300 mm	4.9 ft / 1.5 m	15 lb	2,300
22010257	Bench Scale PBA430-A15	25 lb / 10 kg; 15 kg	0.005 lb / 2 g; 5 g					2,300
22010255	Bench Scale PBA430-A3	3 kg	N/A	N/A				2,300



Material Number	Description	Maximum Capacity	NTEP Resolution	Measurement Canada Max/ Emin**	Dimensions (L x W)	Cable Length	Shipping Weight	List Price (CAD)
22010261	Bench Scale PBA430-B30	50 lb / 15 kg; 30 kg	0.01 lb / 5 g; 10 g	25kg / 5g	15.7 in x 19.7 in / 400 mm x 500 mm	4.9 ft / 1.5 m	34 lb	3,285
22010262	Bench Scale PBA430-B60	100 lb / 30 kg; 60 kg	0.02 lb / 10 g; 20 g	50kg / 10g		8.2 ft / 2.5 m		3,225
22010263	Bench Scale PBA430-B150	250 lb / 60 kg; 150 kg	0.05 lb / 20 g; 50 g	100kg / 20g		3,225		



Material Number	Description	Maximum Capacity	NTEP Resolution	Measurement Canada Max/ Emin**	Dimensions (L x W)	Cable Length	Shipping Weight	List Price (CAD)
22010259	Bench Scale PBA430-BB30	50 lb / 15 kg; 30 kg	0.01 lb / 5 g; 10 g	25kg / 5g	12 in x 16 in / 300 mm x 400 mm	4.9 ft / 1.5 m	20 lb	2,720
22010260	Bench Scale PBA430-BB60	100 lb / 30 kg; 60 kg	0.02 lb / 10 g; 20 g	50kg / 10g		8.2 ft / 2.5 m		2,720



Material Number	Description	Maximum Capacity	NTEP Resolution	Measurement Canada Max/ Emin**	Dimensions (L x W)	Cable Length	Shipping Weight	List Price (CAD)
22010264	Bench Scale PBA430-BC60	100 lb / 30 kg; 60 kg	0.02 lb / 10 g; 20 g	50kg / 10g	19.7 in x 25.6 in / 500 mm x 650 mm	16.4 ft / 5 m	65 lb	4,250
22010265	Bench Scale PBA430-BC150	250 lb / 60 kg; 150 kg	0.05 lb / 20 g; 50 g	100kg / 20g				4,250
22010266	Bench Scale PBA430-BC300	500 lb / 150 kg; 300 kg	0.1 lb / 50 g; 100 g	250kg / 50g				4,250



Material Number	Description	Maximum Capacity	NTEP Resolution	Measurement Canada Max/ Emin**	Dimensions (L x W)	Cable Length	Shipping Weight	List Price (CAD)
22010267	Bench Scale PBA430-CC60	100 lb / 30 kg; 60 kg	0.02 lb / 10 g; 20 g	50kg / 10g	23.6 in x 31.5 in / 600 mm x 800 mm	16.4 ft / 5 m	125 lb	5,585
22010268	Bench Scale PBA430-CC150	250 lb / 60 kg; 150 kg	0.05 lb / 20 g; 50 g	100kg / 20g				5,585
22010269	Bench Scale PBA430-CC300	500 lb / 150 kg; 300 kg	0.1 lb / 50 g; 100 g	250kg / 50g				5,585
22010270	Bench Scale PBA430-CC600	300 kg; 600 kg	100 g; 200 g	500kg / 0.1kg				5,585



Material Number	Description	Maximum Capacity	NTEP Resolution	Measurement Canada Max/ Emin**	Dimensions (L x W)	Cable Length	Shipping Weight	List Price (CAD)
22008761	Bench Scale PBA430-QC60	100 lb / 30 kg; 60 kg	0.02 lb / 10 g; 20 g	50kg / 10g	18 in x 18 in / 457 mm x 457 mm	8.2 ft / 2.5 m	31 lb	3,775
22008762	Bench Scale PBA430-QC150	250 lb / 60 kg; 150 kg	0.05 lb / 20 g; 50 g	100kg / 20g				3,695



Material Number	Description	Maximum Capacity	NTEP Resolution	Measurement Canada Max/ Emin**	Dimensions (L x W)	Cable Length	Shipping Weight	List Price (CAD)
22008758	Bench Scale PBA430-QB15	25 lb / 6 kg; 15 kg	0.005 lb / 2 g; 5 g	10kg / 2g	12 in x 12 in / 305 mm x 305 mm	4.9 ft / 1.5 m	23 lb	2,530
22008759	Bench Scale PBA430-QB30	50 lb / 15 kg; 30 kg	0.01 lb / 5 g; 10 g	25kg / 5g		2,530		
22008760	Bench Scale PBA430-QB60	100 lb / 30 kg; 60 kg	0.02 lb / 10 g; 20 g	50kg / 10kg		8.2 ft / 2.5 m		2,530



Material Number	Description	Maximum Capacity	NTEP Resolution	Measurement Canada Max/ Emin**	Dimensions (L x W)	Cable Length	Shipping Weight	List Price (CAD)
22008757	Bench Scale PBA430-QA6	10 lb / 3 kg; 6 kg	0.002 lb / 1 g; 2 g	10kg / 2g	9 in x 9 in / 229 mm x 229 mm	4.9 ft / 1.5 m	15 lb	2,260

## PBA430 Accessories

Material Number	Material Description	Order Notes	Shipping Weight	List Price (CAD)
<b>Miscellaneous</b>				
72225939	Cart S.S 500x650 BC	Low pro cart 500 x 650 x 130mm (column incl.)	45 lb.	2,185
72225940	Cart S.S 600x800 CC22010316	Low pro cart 600 x 800 x 130mm (column incl.)		2,350
<b>Roller conveyor</b>				
22001647	Roller track 500x400 stainless	500 x 400 mm, stainless steel, for KB/FB/MB	18 lb.	960
22012799	Roller track 500x650 stainless	650 x 500 mm, stainless steel, for PBA330/430-BC		1,645
<b>Wheeled Bench Scale Stands</b>				
503632	Wheeled Stand B size, SS	Platform stand with 2 wheels.	20 lb	930
504854	Wheeled Stand CC size S.S	Platform stand with 2 wheels.	25 lb	1,355
<b>Stainless Steel Columns (also called Stands in other regions)</b>				
22013964	Stand S 330mm, PBA430	Column 13" SS Open Back PBA430 SS		560
22013965	Stand S 660mm, PBA430	Column 26" SS Open Back PBA430 SS		755

# Commercial Bench Platforms

## PBA655



### For Accurate Weighing

#### For High Precision Applications

The PBA655 extremely robust platform design features a resolution of 60,000d and an NTEP approvable resolution of NTEP 10'000d for optimal precision.

#### Highly Durable

The load frame is powder-coated and the load plate consists of brushed stainless steel. This stands for high durability over a long period of time.

#### Damage Protected

The PBA655 platform feature several optimal positioned and adjusted overload stops to ensure best possible Load Cell protection.

[www.mt.com/pba655](http://www.mt.com/pba655)

#### Standard Features

- Six overload stops
- Up to 60,000d readability (not legal for trade)
- Powder coated steel frame
- IP65 ingress protection
- Aluminum model 785, 795, 805 analog load cell

#### Approvals

- Measurement Canada Approval #AM-5500 Rev 1 (30024678 is not approved)
- NTEP Approval #02-081A2 Class III (10,000d)

#### Scale Interface

Analog

#### Material

Powder Coated Carbon Steel

#### Protection Rating

IP65



Material Number	Description	Maximum Capacity	Dimensions (L x W)	Cable Length	List Price (CAD)
30024666	PBA655-A6	10 lb / 6 kg	9.5 in x 11.8 in / 240 mm x 300 mm	5 ft / 1.5 m	1,015
30024667	PBA655-A12	20 lb / 12 kg			1,015
30024668	PBA655-BB30	50 lb / 30 kg	11.8 in x 15.7 in / 300 mm x 400 mm	6.56 ft / 2 m	1,240
30024669	PBA655-BB60	100 lb / 60 kg			1,240
30024670	PBA655-B60	200 lb / 120 kg	15.7 in x 19.7 in / 400 mm x 500 mm	9.8 ft / 3 m	1,565
30024671	PBA655-B120		200 lb / 120 kg		1,565



Material Number	Description	Maximum Capacity	Dimensions (L x W)	Cable Length	List Price (CAD)
30024672	PBA655-BC60	100 lb / 60 kg	19.7 in x 25.6 in / 500 mm x 650 mm	9.8 ft / 3 m	1,755
30024675	PBA655-CC60		23.6 in x 31.5 in / 600 mm x 800 mm		2,260
30024673	PBA655-BC120	200 lb / 120 kg	19.7 in x 25.6 in / 500 mm x 650 mm		1,755
30024676	PBA655-CC120		23.6 in x 31.5 in / 600 mm x 800 mm		2,260

Material Number	Description	Maximum Capacity	Dimensions (L x W)	Cable Length	List Price (CAD)
30024674	PBA655-BC300	500 lb / 300 kg	19.7 in x 25.6 in / 500 mm x 650 mm	9.8 ft / 3 m	1,755
30024677	PBA655-CC300		23.6 in x 31.5 in / 600 mm x 800 mm		2,260
30024678	PBA655-CC600	1,000 lb / 600 kg			2,260

## PBA655 Accessories

Material Number	Material Description	Order Notes	List Price (CAD)
-----------------	----------------------	-------------	------------------

### Ball top, galvanized balls, painted mild steel

72198691	Balltop Acces B	Ball Mat 400 x 500 mm	540
72198692	Balltop Acces BC	Ball Mat 500 x 650 mm	670
72198693	Balltop Acces CC	Ball Mat 600 x 800 mm	730

### Wheeled Bench Scale Stands

503631	Wheeled Stand B size, black powder coat	Requires K-Line feet to fit all scales except PBA430	580
503632	Wheeled Stand B size S.S	Requires K-Line feet to fit all scales except PBA430	930
504853	Wheeled Stand CC size, black powder coat	Requires K-Line feet to fit all scales except PBA430	875
504854	Wheeled Stand CC size S.S	Requires K-Line feet to fit all scales except PBA430	1,355
504834	K-Line leveling foot		107

### Columns Mild Steel

72198699	Stand Acces C.S 330mm PBA655	Mild Steel Column 13" Open Back	123
72198700	Stand Acces C.S 660mm PBA655	Mild Steel Column 26" Open Back	162
72198701	STAND CS 900 ACCES	Mild Steel Column 35.5" Open Back	171

### Roller Conveyor, galvanized rollers, painted mild steel

72198705	Rollertop Acces B	Rolling conveyor 400 x 500 mm, longitudinal	515
72198706	Platter W/Roller Assy. 400x500 II	Rolling conveyor 400 x 500 mm, transverse	497
72198707	Rollertop Acces BC	Rolling conveyor 500 x 650 mm, longitudinal	730
72198708	Platter W/Roller Assy. 500x650 II	Rolling conveyor 500 x 650 mm, transverse	705
72198709	Rollertop Acces CC	Rolling conveyor 600 x 800 mm, longitudinal	810
72198688	Platter W/Roller Assy. 600x800 II	Rolling conveyor 600 x 800 mm, transverse	780

### Stainless Steel Columns

72198702	Stand Acces S.S 330mm PBA220	Column 13" SS Open Back	171
72198703	Stand Acces S.S 660mm PBA220	Column 26" SS Open Back	195
72198704	Stand Acces S.S 900mm PBA220	Column 35.5" SS Open Back	205

### Carts

72198696	Cart Acces PBA220 BC powder coat	Low pro cart 500 x 650 x 130mm (column incl.)	800
72198697	Cart Acces PBA220 CC powder coat	Low pro cart 600 x 800 x 130mm (column incl.)	840

# Commercial Bench Platforms

## PBD655



### The Plug and Weigh Design

#### Ready to Operate in Seconds

The PBD655 platform is a true digital, pre-calibrated device designed for simplicity. Plug the platform into a suitable terminal and start weighing.

#### For High Precision Applications

The extremely robust platform design features a resolution of 60,000d for optimal weighing and counting precision.

#### Highly Durable

The load frame is powder-coated and the load plate consists of brushed stainless steel. This stands for high durability over a long period of time.

[www.mt.com/pba655](http://www.mt.com/pba655)

#### Standard Features

- SICSPro Scale Interface (Will interface with 570SICSPro Starting Feb. 2018)
- Rectangular Sizes
- Powder coated steel frame
- IP65 ingress protection
- Digital high-resolution signal



**Material** Powder Coated Carbon Steel  
**Protection Rating** IP65

Material Number	Description	Maximum Capacity	Readability	Dimensions (L x W)	Cable Length	Shipping Weight	List Price (CAD)
30024638	PBD655-A6	10 lb / 6 kg	0.1 g	9.5 in x 11.8 in / 240 mm x 300 mm	2.5 m	16 lb	1,345
30024639	PBD655-A12	20 lb / 12 kg	0.2 g				1,345
30024740	PBD655-BB30	50 lb / 30 kg	0.5 g	11.8 in x 15.7 in / 300 mm x 400 mm		28 lb	1,575
30024741	PBD655-BB60	100 lb / 60 kg	1 g				1,575
30024742	PBD655-B60	200 lb / 120 kg	2 g	15.7 in x 19.7 in / 400 mm x 500 mm		51 lb	1,885
30024743	PBD655-B120						1,885

Material Number	Description	Maximum Capacity	Readability	Dimensions (L x W)	Cable Length	Shipping Weight	List Price (CAD)
30024744	PBD655-BC60	100 lb / 60 kg	1 g	19.7 in x 25.6 in / 500 mm x 650 mm	2.5 m	60 lb	2,080
30024747	PBD655-CC60			23.6 in x 31.5 in / 600 mm x 800 mm		103 lb	2,580
30024745	PBD655-BC120	200 lb / 120 kg	2 g	19.7 in x 25.6 in / 500 mm x 650 mm		60 lb	2,080
30024748	PBD655-CC120			23.6 in x 31.5 in / 600 mm x 800 mm		103 lb	2,580

Material Number	Description	Maximum Capacity	Readability	Dimensions (L x W)	Casble Length	Shipping Weight	List Price (CAD)
30024746	PBD655-BC300	500 lb / 300 kg	5 g	19.7 in x 25.6 in / 500 mm x 650 mm	2.5 m	609 lb	2,080
30024749	PBD655-CC300			23.6 in x 31.5 in / 600 mm x 800 mm		103 lb	2,580
30024750	PBD655-CC600	1,000 lb / 600 kg	10 g				2,580

## PBD655 Accessories

Material Number	Material Description	Order Notes	List Price (CAD)
<b>Ball top, galvanized balls, painted mild steel</b>			
72198691	Balltop Acces B	Ball Mat 400 x 500 mm	540
72198692	Balltop Acces BC	Ball Mat 500 x 650 mm	670
72198693	Balltop Acces CC	Ball Mat 600 x 800 mm	730
<b>Wheeled Bench Scale Stands</b>			
503631	Wheeled Stand B size, black powder coat	Requires K-Line feet to fit all scales except PBA430	580
503632	Wheeled Stand B size S.S	Requires K-Line feet to fit all scales except PBA430	930
504853	Wheeled Stand CC size, black powder coat	Requires K-Line feet to fit all scales except PBA430	875
504854	Wheeled Stand CC size S.S	Requires K-Line feet to fit all scales except PBA430	1,355
504834	K-Line leveling foot		107
<b>Columns Mild Steel</b>			
72198699	Stand Acces C.S 330mm PBA655	Mild Steel Column 13" Open Back	123
72198700	Stand Acces C.S 660mm PBA655	Mild Steel Column 26" Open Back	162
72198701	STAND CS 900 ACCES	Mild Steel Column 35.5" Open Back	171
<b>Roller Conveyor, galvanized rollers, painted mild steel</b>			
72198705	Rollertop Acces B	Rolling conveyor 400 x 500 mm, longitudinal	515
72198706	Platter W/Roller Assy. 400x500 II	Rolling conveyor 400 x 500 mm, transverse	497
72198707	Rollertop Acces BC	Rolling conveyor 500 x 650 mm, longitudinal	730
72198708	Platter W/Roller Assy. 500x650 II	Rolling conveyor 500 x 650 mm, transverse	705
72198709	Rollertop Acces CC	Rolling conveyor 600 x 800 mm, longitudinal	810
72198688	Platter W/Roller Assy. 600x800 II	Rolling conveyor 600 x 800 mm, transverse	780
<b>Stainless Steel Columns</b>			
72198702	Stand Acces S.S 330mm PBA220	Column 13" SS Open Back	171
72198703	Stand Acces S.S 660mm PBA220	Column 26" SS Open Back	195
72198704	Stand Acces S.S 900mm PBA220	Column 35.5" SS Open Back	205
<b>Carts</b>			
72198696	Cart Acces PBA220 BC powder coat	Low pro cart 500 x 650 x 130mm (column incl.)	800
72198697	Cart Acces PBA220 CC powder coat	Low pro cart 600 x 800 x 130mm (column incl.)	840
<b>Various</b>			
30024759	M12 Cable, Extended cable, BescoD, 10m	10m SICSPRO Extension cable	204



# Applied Bench Platforms

## PBK785



### For Accurate Weighing

#### MonoBloc® Technology

This MonoBloc platform, based on force compensation technology, features an internal calibration weight. It offers the highest precision and is ready for immediate use.

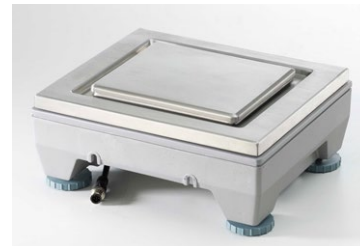
#### Durable and Rugged

Suitable for use in tough industrial environments with durable aluminium die cast housing and overload protection.

#### Digital Scale Connection SICSpro

Receive guaranteed precise weighing results with excellent immunity to electromagnetic influences.

Note: Used with ICS5 digital terminals and ICS5 compact scales



<b>Scale Interface</b>	SICSPro Scale Interface (Will interface with 570SICSPro Starting Feb. 2018)
<b>Material</b>	Diecast Aluminum
<b>Protection Rating</b>	IP54

Material Number	Description	Maximum Capacity	Readability	Dimensions (L x W)	Cable Length	Shipping Weight	List Price (CAD)
30208650	Weighing Platform PBK785 - 0.6XS	1.2 lb / 0.6 kg	0.001 g	5.1 in x 6.3 in / 130 mm x 160 mm	3.3 ft / 1 m	15 lb	3,925
30208652	Weighing Platform PBK785 - 3XS	6 lb / 3 kg	0.01 g			15 lb	2,990
30208659	Weighing Platform PBK785 - 6XS	12 lb / 6 kg	0.01 g			15 lb	3,940
30208660	Weighing Platform PBK785 - 6SM	12 lb / 6 kg	0.1 g	7.9 in x 9.5 in / 200 mm x 240 mm		15 lb	3,110
30208661	Weighing Platform PBK785 - 15LA	30 lb / 15 kg	0.1 g	9.5 in x 13.8 in / 240 mm x 350 mm		20 lb	3,455
30208662	Weighing Platform PBK785 - 35LA	70 lb / 35 kg	0.1 g			20 lb	3,925

### PBK 785 Accessories

22023696	Cable M12 RS422 SICSpro Extens. 3m	3m SICSpro Extension cable	184
30024759	M12 Cable, Extended cable, BescoD, 10m	10m SICSpro Extension cable	204
72198699	Stand Acces C.S 330mm PBA220	Mild Steel Column 13" Open Back	123
30032637	Bracket Assy. ICSXX5 stand&wall&desk	Bracket for mounting ICSxx5 terminal to wall/coumn	176
72262929	Wind Shield Complete	Draft Shield (Only for XS size bases)	392

# Applied Bench Platforms

## PBK987 Configured

### Unprecedented Accuracy

#### High Precision Weighing

The outstanding metrology is a result of the load cell with integrated Monobloc technology and of a high precision mechanical design.

#### Reliable In Harsh Conditions

The robust design of the platform body ensures reliable measurements at the highest precision.

#### Fast Weighing Processes

Industry-leading stabilization time and up to 92 updates per second make the platform suitable for high-speed weighing processes.

[www.mt.com/pbk9](http://www.mt.com/pbk9)



Material Number	Material Description	List Price (CAD)
30214790	High Precision Platform PBK987 Blue Powder Coated Steel (CHECK EXCEL Config. for Stock Models)	7,265

Base Model											
P	B	K	9	8	7	0	PBK987				
-	-	-	-	-	-	-	Application				
-	-	-	-	-	-	-	0	Safe area			
-	-	-	-	-	-	-	-	Capacity			
-	-	-	-	-	-	-	8	60 kg			
-	-	-	-	-	-	-	9	120 kg			
-	-	-	-	-	-	-	A	150 kg			
-	-	-	-	-	-	-	B	300 kg			
-	-	-	-	-	-	-	Platform size				
-	-	-	-	-	-	-	F	B, 400x500mm			
-	-	-	-	-	-	-	H	CC, 600x800mm			
-	-	-	-	-	-	-	IP Protection				
-	-	-	-	-	-	-	3	IP66/68			
-	-	-	-	-	-	-	Resolution				
-	-	-	-	-	-	-	B	3x10.000e MI / class III			
-	-	-	-	-	-	-	6	1x6.000e / 7.500e SR class II			
-	-	-	-	-	-	-	P	1x12.000e SR / 15.000e SR class II			
-	-	-	-	-	-	-	Q	1x24.000e SR / 30.000e class II			
-	-	-	-	-	-	-	H	1x60.000d / 75.000d non-approved			
-	-	-	-	-	-	-	R	1x240.000d / 300.000d non-approved			
-	-	-	-	-	-	-	M	1x600.000d / 750.000d non-approved			
-	-	-	-	-	-	-	Scale interface				
-	-	-	-	-	-	-	2	0	SICS-Pro (RS422)		
-	-	-	-	-	-	-	Material Load Plate				
-	-	-	-	-	-	-	5		stainless steel AISI304, smooth, Ra < 1 µm		
-	-	-	-	-	-	-	8		stainless steel AISI316, smooth, Ra < 1 µm		
-	-	-	-	-	-	-	Cable length				
-	-	-	-	-	-	-	A		0,5m		
-	-	-	-	-	-	-	2		2,5m		
-	-	-	-	-	-	-	3		5m		
-	-	-	-	-	-	-	4		10m		
-	-	-	-	-	-	-	5		20m		
-	-	-	-	-	-	-	Others 1				
-	-	-	-	-	-	-	0		no		
-	-	-	-	-	-	-	B		Test certificate		
-	-	-	-	-	-	-	ETO				
-	-	-	-	-	-	-	0		no ETO		
-	-	-	-	-	-	-	E		ETO		
P	B	K	9	8	7	0	0	3	2	0	0

## PBK987 Configured Options

P	B	K	9	8	7	0	0			3		2	0			0
Material Description							1	2	3	4	5	6	Order Notes	List Price (CAD)		
<b>1 Base Model</b>																
Model PBK987-B120							9	F								800
Model PBK987-B60							8	F								0
Model PBK987-CC150							A	H							950	
Model PBK987-CC300							B	H							1,505	
<b>3 Resolution</b>																
Resolution 1x6000/7500e SR class II									6						0	
Resolution 1x60000/75000d SR not appr.									H						0	
Resolution H 1x12000/15000e SR class II									P			Hybrid		875		
Resolution H 1x240000/300000d SR not app									R			Hybrid		875		
Resolution H 1x600000/750000d SR not app									M			Hybrid		875		
<b>5 Material Load Plate</b>																
Load Plate AISI304, smooth, all sizes									5							
Load plate AISI316 smooth B									8					349		
Load plate AISI316 smooth CC									8					464		
<b>6 Cable Length (home run)</b>																
Cable length 0,5m											A				0	
Cable length 2,5m											2				0	
Cable length 5m											3				118	
Cable length 10m											4				236	
Cable length 20m											5				465	
<b>7 Test certificate</b>																
None												0			0	
Test certificate												B			227	

## PBK987 Stocked Scales

Material Number	Material Description	Resolution	Order Notes	List Price (CAD)
<b>Scale</b>				
30245728	Model PBK987-B60	1x6000/7500e SR class II	304SS Load Plate, 2.5m Cable	call
30245729	Model PBK987-CC150	1x60000/75000d SR not appr.	304SS Load Plate, 2.5m Cable	call
30246203	Model PBK987-CC300	1x60000/75000d SR not appr.	304SS Load Plate, 2.5m Cable	call

## PBK987 Configured Accessories

Material Number	Material Description	Order Notes	List Price (CAD)
<b>2 Wheeled Bench Stands</b>			
503632	Wheeled Stand B size S.S	500 x 400 mm, stainless steel, for PBK-B	930
503631	Wheeled Stand B size, black powder coat	500 x 400 mm, black powder-coated, for PBK-B	580
504853	Wheeled Stand CC size, black powder coat	800 x 600 mm, black powder-coated, for PBK-CC	875
504854	Wheeled Stand CC size S.S	800 x 600 mm, stainless steel, for PBK-CC	1,355
<b>Stainless Wheeled Stand Columns</b>			
504128	Pillar support Stainless Steel	Column that mounts to the wheeled Stand	1,055
<b>Mild Steel Wheeled Stand Columns</b>			
504127	Pillar support Mild Steel	Column that mounts to the wheeled Stand	550
<b>Roller conveyor</b>			
503640	Roller track 500x400 galvanized	500 x 400 mm, hot galvanized, for PBK-B, longitudinal	755
22001647	Roller track 500x400 stainless	500 x 400 mm, stainless steel, for PBK-B, longitudinal	960
504852	Roller track 800x600 galvanized	800 x 600 mm, hot galvanized, for PBK-CC, longitudinal	1,355
22001648	Roller track 800x600 stainless	800 x 600 mm, stainless steel, for PBK-CC, longitudinal	1,755
<b>Spare Parts</b>			
72262929	Wind Shield Complete	Windshield for ...XS weighing platforms	392
<b>IDNet Cable Adaptor</b>			
22026963	ACC409xx IDNet Cable Adaptor	IDNet to SICSPRO adaptor (For IDNet Terminals)	323
<b>Column and Column Adapter for "B" size PBK9xx</b>			
22026682	ICS466x Column Kit Kx T4	Includes B size bracket adapter, column, 22015188 bracket	840
<b>Load Cell Cables</b>			
30242222	Cable M12 RS422 SICSPRO 12P/6P 0,5m	Safe Area SICSPRO Extension Cable 0.5m	call
30242223	Cable M12 RS422 SICSPRO 12P/6P 2,5m	Safe Area SICSPRO Extension Cable 2.5m	225
30242224	Cable M12 RS422 SICSPRO 12P/6P 5m	Safe Area SICSPRO Extension Cable 5m	219
30242226	Cable M12 RS422 SICSPRO 12P/6P 10m	Safe Area SICSPRO Extension Cable 10m	call
30242225	Cable M12 RS422 SICSPRO 12P/6P 20m	Safe Area SICSPRO Extension Cable 20m	call
30242227	Cable M12 RS422 SICSPRO 12P/6P 100m	Safe Area SICSPRO Extension Cable 100m	call

**Applied** **Bench Platforms**  
**PBK989 Configured**

**Unprecedented Accuracy**

**High Precision Weighing**

The outstanding metrology is a result of the load cell with integrated Monobloc technology and of a high precision mechanical design.

**Reliable In Harsh Conditions**

The robust design of the platform body ensures reliable measurements at the highest precision.

**Fast Weighing Processes**

Industry-leading stabilization time and up to 92 updates per second make the platform suitable for high-speed weighing processes.

[www.mt.com/pbk9](http://www.mt.com/pbk9)



Material Number	Material Description	List Price (CAD)
30214791	High Precision Platform PBK989 - Stainless Steel Platform (CHECK EXCEL Config. for Stock Models)	5,100

Base Model										
P	B	K	9	8	9	0	PBK989			
-	-	-	-	-	-	-	Application			
-	-	-	-	-	-	-	0	Safe area		
-	-	-	-	-	-	-	Capacity			
-	-	-	-	-	-	-	1	0,6 kg		
-	-	-	-	-	-	-	2	3 kg		
-	-	-	-	-	-	-	3	6 kg		
-	-	-	-	-	-	-	4	15 kg		
-	-	-	-	-	-	-	5	30 kg		
-	-	-	-	-	-	-	8	60 kg		
-	-	-	-	-	-	-	9	120 kg		
-	-	-	-	-	-	-	A	150 kg		
-	-	-	-	-	-	-	B	300kg		
-	-	-	-	-	-	-	Platform size			
-	-	-	-	-	-	-	R	XS, 160x130mm		
-	-	-	-	-	-	-	D	A, 240x300mm		
-	-	-	-	-	-	-	W	AB, 280x350mm		
-	-	-	-	-	-	-	F	B, 400x500mm		
-	-	-	-	-	-	-	H	CC, 600x800mm		
-	-	-	-	-	-	-	IP Protection			
-	-	-	-	-	-	-	3	IP66/68		
-	-	-	-	-	-	-	Resolution			
-	-	-	-	-	-	-	B	3x10.000e MI / class III		
-	-	-	-	-	-	-	6	6.000e / 7.500e SR class II		
-	-	-	-	-	-	-	P	12.000e / 15.000e SR class II		
-	-	-	-	-	-	-	Q	24.000e / 30.000e class II		
-	-	-	-	-	-	-	J	60.000e SR / class II		
-	-	-	-	-	-	-	H	60.000d/75.000d non-approved		
-	-	-	-	-	-	-	R	240.000d/300.000d non-approved		
-	-	-	-	-	-	-	M	600.000d/750.000d non-approved		
-	-	-	-	-	-	-	Scale Interface			
-	-	-	-	-	-	-	2	0	SICS-Pro (RS422)	
-	-	-	-	-	-	-	Material Load Plate			
-	-	-	-	-	-	-	5	stainless steel AISI304, smooth, Ra < 1 µm		
-	-	-	-	-	-	-	8	stainless steel AISI316, smooth, Ra < 1 µm		
-	-	-	-	-	-	-	Cable length			
-	-	-	-	-	-	-	A	0,5m		
-	-	-	-	-	-	-	2	2,5m		
-	-	-	-	-	-	-	3	5m		
-	-	-	-	-	-	-	4	10m		
-	-	-	-	-	-	-	5	20m		
-	-	-	-	-	-	-	Others 1			
-	-	-	-	-	-	-	0	no		
-	-	-	-	-	-	-	B	Test certificate		
-	-	-	-	-	-	-	ETO			
-	-	-	-	-	-	-	0	no ETO		
-	-	-	-	-	-	-	E	ETO		
P	B	K	9	8	9	0	0	3	2	0

## PBK989 Configured Options

P	B	K	9	8	9	0	0			3		2	0				0
Material Description							1	2	3	4	5	6	Order Notes	List Price (CAD)			
<b>1 Base Model</b>																	
Model PBK989-0,6XS							1	R					Can't be used with IND570SICSPro	0			
Model PBK989-A3							2	D						133			
Model PBK989-A6							3	D						266			
Model PBK989-AB15							4	W						1,175			
Model PBK989-AB30							5	W						2,025			
Model PBK989-AB60							8	W						2,380			
Model PBK989-B120							9	F						3,840			
Model PBK989-B60							8	F						4,420			
Model PBK989-CC150							A	H						5,800			
Model PBK989-CC300							B	H						4,960			
<b>3 Resolution</b>																	
Resolution 1x6000/7500e SR class II									6				B60, B120	0			
Resolution 1x60000/75000d SR not appr.									J				0.6XS	0			
Resolution D 1x12000/15000e SR class II									P				AB15	0			
Resolution D 1x24000/30000e SR class II									Q				A3, A6, AB30, AB60	0			
Resolution D 1x60000/75000d SR not app									H				CC150, CC300	0			
Resolution D1x240000/300000d SR not appr									R					0			
Resolution H 1x12000/15000e SR class II									P				Hybrid	875			
Resolution H 1x240000/300000d SR not app									R				Hybrid	875			
Resolution H 1x600000/750000d SR not app									M				Hybrid	875			
<b>5 Material Load Plate</b>																	
Load plate AISI304 Smooth All Sizes										5				0			
Load plate AISI316 smooth A										8				205			
Load plate AISI316 smooth AB										8				205			
Load plate AISI316 smooth B										8				350			
Load plate AISI316 smooth CC										8				465			
<b>6 Cable Length (home run)</b>																	
Cable length 0,5m											A			0			
Cable length 2,5m											2			0			
Cable length 5m											3			118			
Cable length 10m											4			236			
Cable length 20m											5			465			
<b>7 Test Certificate</b>																	
Test certificate												B		227			

## PBK989 Stocked Scales

Material Number	Material Description	Resolution	Order Notes	List Price (CAD)
<b>Scale</b>				
30246200	Model PBK989-AB15	1x12000/15000e SR class II	304SS Load Plate, 2.5m Cable	call
30245727	Model PBK989-AB30	1x12000/15000e SR class II	304SS Load Plate, 2.5m Cable	7,345
30246201	Model PBK989-B60	1x6000/7500e SR class II	304SS Load Plate, 2.5m Cable	10,410
30246202	Model PBK989-CC150	1x60000/75000d SR not appr.	304SS Load Plate, 2.5m Cable	call

## PBK989 Configured Accessories

Material Number	Material Description	Order Notes	List Price (CAD)
<b>2 Wheeled Bench Stands</b>			
503632	Wheeled Stand B size S.S	500 x 400 mm, stainless steel, for PBK-B	930
503631	Wheeled Stand B size, black powder coat	500 x 400 mm, black powder-coated, for PBK-B	580
504853	Wheeled Stand CC size, black powder coat	800 x 600 mm, black powder-coated, for PBK-CC	875
504854	Wheeled Stand CC size S.S	800 x 600 mm, stainless steel, for PBK-CC	1,355
<b>Stainless Wheeled Stand Columns</b>			
504128	Pillar support Stainless Steel	Column that mounts to the wheeled Stand	1,055
<b>Mild Steel Wheeled Stand Columns</b>			
504127	Pillar support Mild Steel	Column that mounts to the wheeled Stand	550
<b>Roller conveyor</b>			
503640	Roller track 500x400 galvanized	500 x 400 mm, hot galvanized, for PBK-B, longitudinal	755
22001647	Roller track 500x400 stainless	500 x 400 mm, stainless steel, for PBK-B, longitudinal	960
504852	Roller track 800x600 galvanized	800 x 600 mm, hot galvanized, for PBK-CC, longitudinal	1,355
22001648	Roller track 800x600 stainless	800 x 600 mm, stainless steel, for PBK-CC, longitudinal	1,755
<b>Spare Parts</b>			
72262929	Wind Shield Complete	Windshield for ...XS weighing platforms	392
<b>IDNet Cable Adaptor</b>			
22026963	ACC409xx IDNet Cable Adaptor	IDNet to SICSPro adaptor (For IDNet Terminals)	323
<b>Stainless Steel Columns</b>			
72198702	Stand Acces S.S 330mm PBA220	Column 13" SS Open Back	171
72198703	Stand Acces S.S 660mm PBA220	Column 26" SS Open Back	195
72198704	Stand Acces S.S 900mm PBA220	Column 35.5" SS Open Back	205
<b>Column and Column Adapter for "B" size PBK9xx</b>			
22026682	ICS466x Column Kit Kx T4	Includes B size adapter, 13" column, 22015188 bracket	840
<b>Load Cell Cables</b>			
30242222	Cable M12 RS422 SICSpro 12P/6P 0,5m	Safe Area SICSpro Extension Cable 0.5m	call
30242223	Cable M12 RS422 SICSpro 12P/6P 2,5m	Safe Area SICSpro Extension Cable 2.5m	225
30242224	Cable M12 RS422 SICSpro 12P/6P 5m	Safe Area SICSpro Extension Cable 5m	219
30242226	Cable M12 RS422 SICSpro 12P/6P 10m	Safe Area SICSpro Extension Cable 10m	call
30242225	Cable M12 RS422 SICSpro 12P/6P 20m	Safe Area SICSpro Extension Cable 20m	call
30242227	Cable M12 RS422 SICSpro 12P/6P 100m	Safe Area SICSpro Extension Cable 100m	call

# Applied Bench Platforms

## Baseline™ HD



### Robust and Precise

#### Rugged frame provides maximum protection

Tubular Steel construction is designed for tough industrial environments, capable of withstanding shockload and overload up to 300% of capacity.

#### Enhanced resolution for critical jobs

Precision engineered scale provides unmatched repeatability for industrial operations, allowing up to 20,000 divisions in process applications

#### Fast updates, quick processing

Rigid frame structure provides instant feedback for quick response time and maximum flexibility in weighing applications



[www.mt.com/hdbench\\_ss](http://www.mt.com/hdbench_ss)

#### Standard Features

- VERTEX® load cell “rocker pin” suspension
- Utilizes 2mV/V loadcell
- Mild Steel with 304 Stainless Steel platter
- Hermetically sealed stainless steel load cells (except for HD050 models)
- Heavy duty flexure support

#### Approvals

- Measurement Canada Approval #AM-5289, Rev. 1
- Factory Mutual (FM) approved load cell

#### Accessories

- Columns, brackets, Wheel Kit, Shim Kit
- All HD bases are palletized and must

#### Suspension

Rocker Pin

#### Protection Rating

IP68

Material Number	Legacy Number	Description	Maximum Capacity	Dimensions (L x W)	Material	Options	Shipping Weight	List Price (CAD)	
61010510	HD050PR	HD050PR	100 lb / 50 kg	20 in x 20 in / 508 mm x 508 mm	Carbon Steel	Stainless Steel Platter Included	100 lb	4,790	
61010514	HD100PR	HD100PR	250 lb / 100 kg					4,790	
61010519	HD250PL	HD250PL	500 lb / 250 kg	24 in x 30 in / 610 mm x 762 mm			100 lb	6,840	
61010520	HD250PR	HD250PR		20 in x 20 in / 508 mm x 508 mm			345 lb	4,790	
61010526	HD500PL	HD500PL	1,000 lb / 500 kg	24 in x 30 in / 610 mm x 762 mm				6,840	
61010509	HD050PA	HD050PA	100 lb / 50 kg	20 in x 20 in / 508 mm x 508 mm			Platter not included	85 lb	4,550
61010513	HD100PA	HD100PA	250 lb / 100 kg						4,550
61010517	HD250PA	HD250PA	500 lb / 250 kg						4,550
61010518	HD250PB	HD250PB	1,000 lb / 500 kg	24 in x 30 in / 610 mm x 762 mm				320 lb	6,590
61010525	HD500PB	HD500PB							6,590



Material Number	Legacy Number	Description	Maximum Capacity	Dimensions (L x W)	Material	Options	Shipping Weight	List Price (CAD)	
61010512	HD050SR	HD050SR	100 lb / 50 kg	20 in x 20 in / 508 mm x 508 mm	Stainless Steel V2A (AISI 304)	Stainless Steel Platter Included	100 lb	5,695	
61010516	HD100SR	HD100SR	250 lb / 100 kg					5,695	
61010523	HD250SL	HD250SL	500 lb / 250 kg	24 in x 30 in / 610 mm x 762 mm				345 lb	8,360
61010524	HD250SR	HD250SR		20 in x 20 in / 508 mm x 508 mm					5,695
61010508	HD500SL	HD500SL	1,000 lb / 500 kg	24 in x 30 in / 610 mm x 762 mm				Platter not included	85 lb
61010511	HD050SA	HD050SA	100 lb / 50 kg	20 in x 20 in / 508 mm x 508 mm		5,455			
61010515	HD100SA	HD100SA	250 lb / 100 kg			5,455			
61010521	HD250SA	HD250SA	500 lb / 250 kg			5,455			
61010522	HD250SB	HD250SB		24 in x 30 in / 610 mm x 762 mm		320 lb	8,120		
61010507	HD500SB	HD500SB	1,000 lb / 500 kg				8,120		

## Baseline HD Accessories

Material Number	Material Description	Order Notes	Shipping Weight	List Price (CAD)
<b>Mounting Top Plates Painted Smooth</b>				
61024548	HD OEMPL MS 20X20 .50X20.00X20.00		30 lb	670
69035066	HD OEMPL MS 20X20 .50X20.00X24.00		32 lb	670
61024549	HD OEMPL MS 20X20 .50X24.00X24.00		35 lb	670
61024554	HD OEMPL MS 24X30 .50X24.00X30.00		50 lb	905
61024557	HD OEMPL MS 24X30 .50X24.00X36.00		55 lb	905
61024555	HD OEMPL MS 24X30 .50X30.00X30.00		60 lb	905
69035075	HD OEMPL MS 24X30 .50X30.00X36.00		70 lb	905
<b>Mounting Top Plates Stainless Steel</b>				
61024550	HD OEMPL SS 20X20 .50X20.00X20.00		30 lb	1,485
61024552	HD OEMPL SS 20X20 .50X20.00X24.00		32 lb	1,485
61024551	HD OEMPL SS 20X20 .50X24.00X24.00		50 lb	1,485
61024556	HD OEMPL SS 20X20 .50X24.00X30.00		30 lb	1,485
61024553	HD OEMPL SS 24X30 .50X24.00X30.00		95 lb	1,715
69035071	HD OEMPL SS 24X30 .50X30.00X30.00		60 lb	1,715
69035072	HD OEMPL SS 24X30 .50X30.00X36.00		70 lb	1,715

## Bench Platforms

Material Number	Material Description	Order Notes	Shipping Weight	List Price (CAD)
<b>Ball Transfer Platters</b>				
61024558	HD OEMPL MS 20X20 BL-XFER	Mild Steel		1,155
61036198	HD OEMPL SS 20X20 BL-XFER	Stainless Steel		1,795
<b>Transfer Platters Painted Smooth Roller</b>				
61035698	HD OEMPL MS 20X20 2"DIA RLLR-DK			1,505
61036384	HD OEMPL MS 24X30 2"DIA RLLR-DK			1,875
<b>Wheel Kits</b>				
61036000	HD WHL-KOP SS 20X20 W/BRAKE	SS Wheel Kit with brake for 20" x 20" base (includes 61037666 column mounting bracket)	40 lb	1,315
69035077	HD WHL-KOP SS 24X30 W/BRAKE	SS Wheel Kit with brake for 24" x 30" base (includes 61037666 column mounting bracket)	52 lb	1,315
<b>Carts</b>				
61038052	HD SCL-STND SS 24X30 PORT SHELF	SS Cart w/wheels 12" x 14" shelf on column, 24" x 30", 14-7/8" high		4,530
61037365	HD SCL-STND SS 20X20 PORT	SS Cart w/wheels 20" x 20", 13" high		3,565
61037366	HD SCL-STND SS 20X20 PORT 27H	SS Cart w/wheels 20" x 20", 27" high		5,275
61044054	HD SCL-STND SS 20X20 PORT SHELF	SS Cart w/wheels 12" x 14" shelf on column, 20" x 20", 13" high		5,950
61037466	HD SCL-STND SS 24X30 PORT LO-PRO	SS Cart w/wheels 24" x 30", 14-7/8" high		4,005
<b>Static Stand</b>				
69033554	Stand HD Scl Ms 24x30 W/Ft	CS Stand, No wheels, Adjustable height feet, 24" x 30", 26" high		2,410
<b>Brackets</b>				
61037666	HD INST-BKT SS STAT	Stainless Steel Adapter Bracket (attaches Bolt-on Column to HD scale base)		204
<b>Columns</b>				
61042797	Column Bolt-On MS 37H Univ	Mild Steel, 37.5 in (requires 61037666)	125 lb	415
61043661	Column Bolt-On SS 19H Univ	Stainless Steel, 19 in (requires 61037666)	62 lb	477
61042798	Column Bolt-On SS 37H Univ	Stainless Steel, 37.5 in (requires 61037666)	125 lb	560
61042807	Column SS ACC-MNT-PL	Universal SS accessory mounting plate	8 lb	162
61042804	Column SS Handle	"Loop" Handle, SS, For Bolt-On Column	4 lb	212
<b>Shims</b>				
61024560	HD 20X20 SHIM-KOP	Stainless Steel Shim Kit for 20" x 20" base	5 lb	147
61024561	HD 24X30 SHIM-KOP	Stainless Steel Shim Kit for 24" x 30" base		146

# Commercial Floor Platforms

## PFA261 combo

### For Shipping and Receiving

#### Factory Calibrated Accuracy

The PFA261 combo floor scale is fully calibrated at the factory, providing accurate weighing right out of the box.

#### Exceptional Value- PFA261/IND236

Combines a durable platform with an easy-to-use weighing terminal for reliable weighing without unnecessary features for basic weighing applications.

#### Safety Tread Plate

The weighing platform is made of carbon steel tread plate with an epoxy painted finish. This non-slip surface provides safe footing for workers.

[www.mt.com](http://www.mt.com)

**Approvals** • NTEP 5000d, Class III, COC #99-132A6  
(Only 2500 and 5000 lbs)

**Standard Features** • Foot locating plates  
• Threaded Ball-in-Cup foot

**Indicator Included** IND236 (236H10001000N00)

**Accessories (not incl.)** • Free-standing columns  
• Ramps

**Scale Interface** Analog



Shown with optional column and base plate

Material Number	Material Description	Maximum Capacity	Dimensions (L x W)	Material	Shipping Weight	List Price (CAD)
30114508	Floor Scale PFA261 C MT 1K 36X36 I236	1,000 lb / 600 kg	36 in x 36 in / 914 mm x 914 mm	Mild Steel (epoxy painted, tread plate deck finish)	330 lb	2,090
30114509	Floor Scale PFA261 C MT 2.5K 36X36 I236					2,090
30114510	Floor Scale PFA261 C MT 2.5K 48X48 I236	2,500 lb / 1,500 kg	48 in x 48 in / 1,219 mm x 1,219 mm		380 lb	2,165
30114513	Floor Scale PFA261 C MT 2.5K 60X60 I236		60 in x 60 in / 1,524 mm x 1,524 mm		530 lb	2,330
30114511	Floor Scale PFA261 C MT 5K 48X48 I236	5,000 lb / 3,000 kg	48 in x 48 in / 1,219 mm x 1,219 mm		380 lb	2,250
30114514	Floor Scale PFA261 C MT 5K 60X60 I236		60 in x 60 in / 1,524 mm x 1,524 mm		530 lb	2,420
30114512	Floor Scale PFA261 C MT 10K 48X48 I236	10,000 lb / 6,000 kg	48 in x 48 in / 1,219 mm x 1,219 mm			2,450
30114515	Floor Scale PFA261 C MT 10K 60X60 I236		60 in x 60 in / 1,524 mm x 1,524 mm		760 lb	3,415

### PFA261 combo 5 Pack

Material Number	Material Description	Maximum Capacity	Dimensions (L x W)	Material	Order Notes	List Price (CAD)
<b>Order Notes: Part # 30236185 comes with (QTY-5) PFA261 Combo 48X48 5K</b>						
30236185	Floor Scale PFA261 C MT 5K 48X48 I236 5P	5,000 lb / 3,000 kg	48 in x 48 in / 1,219 mm x 1,219 mm	Mild Steel	1900 lb	10,540

## PFA261 combo Accessories

Material Number	Material Description	Maximum Capacity	Shipping Weight	List Price (CAD)
<b>Ramps Mild Steel Painted Tread</b>				
61045682	Ramp PFA261 S MT 5K 36W 48L	5,000 lb / 3,000 kg	150 lb	670
61045006	Ramp PFA261 S MT 5K 48W 48L	5,000 lb / 3,000 kg	175 lb	755
61045043	Ramp PFA261 S MT 5K 60W 48L	5,000 lb / 3,000 kg	235 lb	905
61045059	Ramp PFA261 S MT 10K 48W 48L	10,000 lb / 6,000 kg	324 lb	1,215
61045011	Ramp PFA261 S MT 10K 60W 48L	10,000 lb / 6,000 kg	388 lb	1,415
<b>Column and Base Plate</b>				
61042797	Column Bolt-On MS 37H Univ		25 lb	415
61042799	Column MS BSPL STAND-ALONE		18 lb	182
<b>Bluetooth Connectivity</b>				
30385723	ACM360-M1 Bluetooth Adaptor	Wireless alternative to cables. See pg. 75		245

# Commercial Floor Platforms

## PFA266combo

### For Wet or Dry Environments

#### Factory Calibrated- PFA261/IND236

The PFA266combo floor scale is fully calibrated at the factory, providing accurate weighing right out of the box.

#### Washdown Applications

The scale platform and terminal are made of stainless steel to withstand wet environments and are suitable for facilities that require light washdown.

#### Safety Tread Plate

The standard weighing platform is made of stainless steel tread plate. This non-slip surface provides safe footing for workers.

[www.mt.com](http://www.mt.com)

#### Approvals

- NTEP 5000d, Class III, COC #99-132A6  
(Only 2500 and 5000 lbs)

#### Standard Features

- Foot locating plates
- Threaded Ball-in-Cup foot

#### Indicator Included

IND236 (236H10001000N00)

#### Accessories (Not incl.)

- Free-standing columns
- Ramps

#### Scale Interface

Analog



Shown with optional column and base plate

Material Number	Material Description	Maximum Capacity	Dimensions (L x W)	Material	Shipping Weight	List Price (CAD)
30114522	Floor Scale PFA266 C ST 1K 36X36 I236	1,000 lb / 600 kg	36 in x 36 in x 914 mm / 914 mm	Stainless 304 Tread	330 lb	5,305
30114523	Floor Scale PFA266 C ST 2.5K 36X36 I236					5,305
30114524	Floor Scale PFA266 C ST 2.5K 48X48 I236	2,500 lb / 1,500 kg	48 in x 48 in x 1,219 mm / 1,219 mm		380 lb	5,190
30114526	Floor Scale PFA266 C ST 2.5K 60X60 I236		60 in x 60 in x 1,524 mm / 1,524 mm		530 lb	7,205
30114525	Floor Scale PFA266 C ST 5K 48X48 I236	5,000 lb / 3,000 kg	48 in x 48 in x 1,219 mm / 1,219 mm		380 lb	5,390
30114527	Floor Scale PFA266 C ST 5K 60X60 I236		60 in x 60 in x 1,524 mm / 1,524 mm		530 lb	7,485

## PFA266combo Accessories

Material Number	Material Description	Maximum Capacity	Shipping Weight	List Price (CAD)
<b>Ramps Stainless 304 Tread</b>				
61045683	Ramp PFA266 S ST 5K 36W 48L	5,000 lb / 3,000 kg	150 lb	2,570
61045099	Ramp PFA266 S ST 5K 48W 48L	5,000 lb / 3,000 kg	175 lb	2,540
61045100	Ramp PFA266 S ST 5K 60W 48L	5,000 lb / 3,000 kg	235 lb	3,165
<b>Column and Base Plate</b>				
61042798	Column Bolt-On SS 37H Univ		25 lb	560
61042800	Column SS BSPL Stand-Alone		18 lb	439
<b>Bluetooth Connectivity</b>				
30385723	ACM360-M1 Bluetooth Adaptor	Wireless alternative to cables. See pg. 75		245

# Commercial Floor Platforms

## PFA261

### For Shipping and Receiving

#### General Weighing

The PFA261 floor scale features a rugged construction. It is suitable for facilities that handle shipping and receiving or general manufacturing.

#### Safety Tread Plate

The weighing platform is made of carbon steel tread plate with an epoxy painted finish. This non-slip surface provides safe footing for workers.

#### Precalibrated Option

The PFA261 floor scale can be supplied with a scale terminal that is precalibrated at the factory. This lets you use the scale right out of the box.

[www.mt.com](http://www.mt.com)

#### Standard Features

- Threaded Ball-in-Cup foot
- Foot locating plates (2)
- 25 ft plain end instrument cable

#### Approvals

- Measurement Canada Approval pending
- NTEP 5000d, Class III, COC #99-132A6(Only 2500 and 5000 lbs)

#### Accessories

- Free-standing columns
- Ramps

#### Scale Interface

Analog



Material Number	Material Description	Maximum Capacity	Dimensions (L x W)	Material	Shipping Weight	List Price (CAD)
30114500	Floor Scale PFA261 S MT 1K 36X36	1,000 lb / 600 kg	36 in x 36 in / 914 mm x 914 mm	Mild Steel (epoxy painted, tread plate deck finish)	300 lb	1,865
30114501	Floor Scale PFA261 S MT 2.5K 36X36	2,500 lb / 1,500 kg	48 in x 48 in / 1,219 mm x 1,219 mm		300 lb	1,865
30362157	Floor Scale PFA261 S MT 2.5K 48X48				350 lb	2,250
30362158	Floor Scale PFA261 S MT 2.5K 60X60				500 lb	2,420
30114503	Floor Scale PFA261 S MT 5K 48X48	5,000 lb / 3,000 kg	48 in x 48 in / 1,219 mm x 1,219 mm		350 lb	2,025
30114506	Floor Scale PFA261 S MT 5K 60X60		60 in x 60 in / 1,524 mm x 1,524 mm		500 lb	2,195
30114504	Floor Scale PFA261 S MT 10K 48X48	10,000 lb / 5,000 kg	48 in x 48 in / 1,219 mm x 1,219 mm		500 lb	3,405
30114507	Floor Scale PFA261 S MT 10K 60X60		60 in x 60 in / 1,524 mm x 1,524 mm		730 lb	3,225

## PFA261 Accessories

Material Number	Material Description	Maximum Capacity	Shipping Weight	List Price (CAD)
<b>Ramps</b>				
61045682	Ramp PFA261 S MT 5K 36W 48L	5,000 lb	175 lb	670
61045006	Ramp PFA261 S MT 5K 48W 48L	5,000 lb	175 lb	755
61045043	Ramp PFA261 S MT 5K 60W 48L	5,000 lb	235 lb	905
61045059	Ramp PFA261 S MT 10K 48W 48L	10,000 lb	324 lb	1,215
61045011	Ramp PFA261 S MT 10K 60W 48L	10,000 lb	388 lb	1,415



# Commercial Floor Platforms

## PFA266

### Washdown Applications

The PFA266 floor scale features a rugged, stainless steel construction for use in wet or dry environments.

### Safety Tread Plate

The standard weighing platform is made of stainless steel tread plate. This non-slip surface provides safe footing for workers.

### Optional Ramps

Ramps are available to provide easy access to all four sides of the scale. They eliminate the need to lift heavy loads, allowing them to be wheeled onto the scale platform safely and easily.

[www.mt.com/PFA266](http://www.mt.com/PFA266)



### Standard Features

- Threaded Ball-in-Cup foot
- Foot locating plates (2)
- 25 ft plain end instrument cable

### Approvals

- Measurement Canada Approval pending
- NTEP 5000d, Class III, COC #99-132(Only 2500 and 5000 lbs)

### Scale Interface

Analog

Material Number	Material Description	Maximum Capacity	Dimensions (L x W)	Material	Shipping Weight	List Price (CAD)
30114516	Floor Scale PFA266 S ST 1K 36X36	1,000 lb / 600 kg	3 ft x 3 ft	Stainless Steel	350 lb	5,135
30114517	Floor Scale PFA266 S ST 2.5K 36X36	2,500 lb / 1,500 kg	4 ft x 4 ft		350 lb	5,135
30362159	Floor Scale PFA266 S ST 2.5K 48x48		5 ft x 5 ft		350 lb	5,390
30362290	Floor Scale PFA266 S ST 2.5K 60X60	5,000 lb / 3,000 kg	4 ft x 4 ft		500 lb	5,065
30114519	Floor Scale PFA266 S ST 5K 48X48		5 ft x 5 ft		500 lb	7,485
30114521	Floor Scale PFA266 S ST 5K 60X60		5 ft x 5 ft		500 lb	7,165

## PFA266 Accessories

Material Number	Material Description	Order Notes	Maximum Capacity	Shipping Weight	List Price (CAD)
<b>Ramps</b>					
61045683	Ramp PFA266 S ST 5K 36W 48L		5,000 lb	175 lb	2,570
61045099	Ramp PFA266 S ST 5K 48W 48L		5,000 lb	175 lb	2,540
61045100	Ramp PFA266 S ST 5K 60W 48L		5,000 lb	235 lb	3,165

Commercial

# Floor Platforms

## 2256 Mild Steel



### Built for Rugged Environments

#### Designed for Industrial applications

Painted Mild Steel structure, IP69K SS junction boxes, and hermetically sealed SS load cells stand up to the toughest industrial environments.

#### Fast and Simple Installation

Adjustable feet make it easy to level the scale on uneven floors. Easy to relocate with minimal set-up.

#### Designed to fit

Custom sizes and flexible configurations adapt to your specific application requirements

[www.mt.com/FloorScale\\_2256\\_MS](http://www.mt.com/FloorScale_2256_MS)



#### Scale Interface

Analog

#### Suspension

Rocker Foot

#### Material

Mild Steel Painted Tread

#### Standard Features

- IP69k stainless steel summing junction box
- 3-7/16 in ±3/16 in height
- Rocker pin foot
- Model 745A stainless steel hermetically sealed 2mV/V load cells
- Foot Locating Plates (2)
- 25 ft plain end instrument cable

#### Approvals

- NTEP 5000d, Class III, COC #95-111\*
- \*(Only 2' x 2' thru 8' x 10' dimensions from 500 lb to 10,000 lb are approved)
- Factory Mutual (FM) Hazardous Area Approval
- Measurement Canada Approval #AM-5160, Rev. 2, nmax: 5000\*\*
- \*\* (Only 3' x 3' thru 5' x 5' dimensions from 1500 kg to 5000 kg are approved)

#### Accessories

- Forklift frames
- Ramps
- Quick-Pit frames
- Threaded load cell with threaded ball-in-cup foot

Material Number	Material Description	Maximum Capacity	Dimensions (L x W)	Shipping Weight	List Price (CAD)
61041778	Floor Scale 2256 S MT 1K 36X36	1,000 lb / 600 kg	36 in x 36 in / 914 mm x 914 mm	250 lb	3,670
61041781	Floor Scale 2256 S MT 1K 48X48		48 in x 48 in / 1,219 mm x 1,219 mm	400 lb	3,895
61042188	Floor Scale 2256 S MT 1K 48X60		60 in x 48 in / 1,524 mm x 1,219 mm	475 lb	4,100
61043762	Floor Scale 2256 S MT 1K 48X72		72 in x 48 in / 1,830 mm x 1,219 mm	500 lb	4,325
61042244	Floor Scale 2256 S MT 1K 60X60		60 in x 60 in / 1,524 mm x 1,524 mm	500 lb	4,325
61043780	Floor Scale 2256 S MT 1K 60X84		84 in x 60 in / 2,134 mm x 1,524 mm	750 lb	5,185
61041779	Floor Scale 2256 S MT 2.5K 36X36	2,500 lb / 1,500 kg	36 in x 36 in / 914 mm x 914 mm	250 lb	3,670
61041782	Floor Scale 2256 S MT 2.5K 48X48		48 in x 48 in / 1,219 mm x 1,219 mm	400 lb	3,895

Material Number	Material Description	Maximum Capacity	Dimensions (L x W)	Shipping Weight	List Price (CAD)
61041785	Floor Scale 2256 S MT 2.5K 48X60	2,500 lb / 1,500 kg	60 in x 48 in / 1,524 mm x 1,219 mm	475 lb	4,100
61041791	Floor Scale 2256 S MT 2.5K 48X72		72 in x 48 in / 1,830 mm x 1,219 mm	500 lb	4,325
61041788	Floor Scale 2256 S MT 2.5K 60X60		60 in x 60 in / 1,524 mm x 1,524 mm	500 lb	4,325
61041794	Floor Scale 2256 S MT 2.5K 60X84		84 in x 60 in / 2,134 mm x 1,524 mm	750 lb	5,185
61041780	Floor Scale 2256 S MT 5K 36X36	5,000 lb / 3,000 kg	36 in x 36 in / 914 mm x 914 mm	250 lb	3,670
61041783	Floor Scale 2256 S MT 5K 48X48		48 in x 48 in / 1,219 mm x 1,219 mm	400 lb	3,895
61041786	Floor Scale 2256 S MT 5K 48X60		60 in x 48 in / 1,524 mm x 1,219 mm	475 lb	4,100
61041792	Floor Scale 2256 S MT 5K 48X72		72 in x 48 in / 1,830 mm x 1,219 mm	500 lb	4,325
61041789	Floor Scale 2256 S MT 5K 60X60		60 in x 60 in / 1,524 mm x 1,524 mm	500 lb	4,325
61041795	Floor Scale 2256 S MT 5K 60X84		84 in x 60 in / 2,134 mm x 1,524 mm	750 lb	5,185
61041784	Floor Scale 2256 S MT 10K 48X48	10,000 lb / 6,000 kg	48 in x 48 in / 1,219 mm x 1,219 mm	475 lb	4,325
61041787	Floor Scale 2256 S MT 10K 48X60		60 in x 48 in / 1,524 mm x 1,219 mm	550 lb	4,650
61041793	Floor Scale 2256 S MT 10K 48X72		72 in x 48 in / 1,830 mm x 1,219 mm	625 lb	4,960
61041790	Floor Scale 2256 S MT 10K 60X60		60 in x 60 in / 1,524 mm x 1,524 mm	625 lb	4,960
61041796	Floor Scale 2256 S MT 10K 60X84		84 in x 60 in / 2,134 mm x 1,524 mm	925 lb	6,045

## 2256 Mild Steel Accessories

Material Number	Material Description	Order Notes	Shipping Weight	List Price (CAD)
<b>Forklift Frames Painted Mild Steel</b>				
61041730	Frame 2256 S MS 10K 36X36 FLF	1,000 - 10,000 lb capacity	125 lb	1,285
61041731	Frame 2256 S MS 10K 48X48 FLF	1,000 - 10,000 lb capacity	150 lb	1,365
61041732	Frame 2256 S MS 10K 48X60 FLF	1,000 - 10,000 lb capacity	200 lb	1,525
61041733	Frame 2256 S MS 10K 48X72 FLF	1,000 - 10,000 lb capacity	200 lb	1,625
61041734	Frame 2256 S MS 10K 60X60 FLF	1,000 - 10,000 lb capacity	200 lb	1,625
61041735	Frame 2256 S MS 10K 60X84 FLF	1,000 - 10,000 lb capacity	250 lb	2,005
<b>Quick Pit Frames Painted Mild Steel</b>				
61041736	Frame 2256 S MS 10K 36X36 QPF	1,000 - 10,000 lb capacity	125 lb	860
61041737	Frame 2256 S MS 10K 48X48 QPF	1,000 - 10,000 lb capacity	150 lb	930
61041738	Frame 2256 S MS 10K 48X60 QPF	1,000 - 10,000 lb capacity	200 lb	1,025
61041739	Frame 2256 S MS 10K 48X72 QPF	1,000 - 10,000 lb capacity	200 lb	1,110
61041740	Frame 2256 S MS 10K 60X60 QPF	1,000 - 10,000 lb capacity	200 lb	1,110
61041741	Frame 2256 S MS 10K 60X84 QPF	1,000 - 10,000 lb capacity	250 lb	1,365
<b>Ramps Mild Steel Painted Tread</b>				
61041742	Ramp PFA564 S MT 10K 36W 36L	1,000 - 10,000 lb capacity	215 lb	875
61041743	Ramp PFA564 S MT 10K 48W 36L	1,000 - 10,000 lb capacity	240 lb	980
61041745	Ramp PFA564 S MT 10K 48W 60L	1,000 - 10,000 lb capacity	240 lb	1,810
61041744	Ramp PFA564 S MT 10K 60W 36L	1,000 - 10,000 lb capacity	300 lb	1,215
61041746	Ramp PFA564 S MT 10K 60W 60L	1,000 - 10,000 lb capacity	300 lb	2,250

Commercial

# Floor Platforms

## 2256 Stainless Steel



### Built for Rugged Environments

#### Designed for Industrial applications

Stainless Steel structure, IP69K SS junction boxes, and hermetically sealed SS load cells stand up to harsh, washdown environments.

#### Fast and Simple Installation

Adjustable feet make it easy to level the scale on uneven floors. Easy to relocate with minimal set-up.

#### Designed to fit

Custom sizes and flexible configurations adapt to your specific application requirements.

[www.mt.com/FloorScale\\_2256\\_SS](http://www.mt.com/FloorScale_2256_SS)



#### Scale Interface

Analog

#### Suspension

Rocker Foot

#### Material

Stainless 304 Smooth

#### Standard Features

- IP69k stainless steel summing junction box
- Foot Locating Plates (2)
- Rocker pin foot
- Model 745A stainless steel hermetically sealed 2mV/V load cells
- 3-7/16 in ±3/16 in height
- 25 ft plain end instrument cable

#### Approvals

- NTEP 5000d, Class III, COC #95-111\*
- \*(Only 2' x 2' thru 8' x 10' dimensions from 500 lb to 10,000 lb are approved)
- Measurement Canada Approval #AM-5160, Rev. 2, nmax: 5000\*\*
- \*\*(Only 3' x 3' thru 5' x 5' dimensions from 1500 kg to 5000 kg are approved)
- Factory Mutual (FM) Hazardous Area Approval

#### Accessories

- Threaded load cell with threaded ball-in-cup foot
- Ramps
- Quick-Pit frames
- Forklift frames

Material Number	Description	Maximum Capacity	Dimensions (L x W)	Shipping Weight	List Price (CAD)
61041797	Floor Scale 2256 S SS 1K 36X36	1,000 lb / 600 kg	36 in x 36 in / 914 mm x 914 mm	250 lb	7,185
61041800	Floor Scale 2256 S SS 1K 48X48		48 in x 48 in / 1,219 mm x 1,219 mm	400 lb	8,630
61046090	Floor Scale 2256 S SS 1K 48X60		60 in x 48 in / 1,219 mm x 1,219 mm	475 lb	10,570
61042331	Floor Scale 2256 S SS 1K 60X60		60 in x 60 in / 1,524 mm x 1,524 mm	500 lb	10,770
61044917	Floor Scale 2256 S SS 1K 48X72		72 in x 48 in / 1,830 mm x 1,219 mm	500 lb	10,770
61041813	Floor Scale 2256 S SS 1K 60X84		84 in x 60 in / 2,134 mm x 1,524 mm	750 lb	14,740
61041798	Floor Scale 2256 S SS 2.5K 36X36	2,500 lb / 1,500 kg	36 in x 36 in / 914 mm x 914 mm	250 lb	7,185
61041801	Floor Scale 2256 S SS 2.5K 48X48		48 in x 48 in / 1,219 mm x 1,219 mm	400 lb	8,630
61041804	Floor Scale 2256 S SS 2.5K 48X60		60 in x 48 in / 1,524 mm x 1,219 mm	475 lb	10,290
61041807	Floor Scale 2256 S SS 2.5K 60X60		60 in x 60 in / 1,524 mm x 1,524 mm	500 lb	10,770
61041810	Floor Scale 2256 S SS 2.5K 48X72		72 in x 48 in / 1,830 mm x 1,219 mm	500 lb	10,770
61041814	Floor Scale 2256 S SS 2.5K 60X84		84 in x 60 in / 2,134 mm x 1,524 mm	750 lb	14,740

Material Number	Description	Maximum Capacity	Dimensions (L x W)	Shipping Weight	List Price (CAD)
61041799	Floor Scale 2256 S SS 5K 36X36	5,000 lb / 3,000 kg	36 in x 36 in / 914 mm x 914 mm	250 lb	7,185
61041802	Floor Scale 2256 S SS 5K 48X48		48 in x 48 in / 1,219 mm x 1,219 mm	400 lb	8,800
61041805	Floor Scale 2256 S SS 5K 48X60		60 in x 48 in / 1,524 mm x 1,219 mm	475 lb	10,290
61041808	Floor Scale 2256 S SS 5K 60X60		60 in x 60 in / 1,524 mm x 1,524 mm	500 lb	10,770
61041811	Floor Scale 2256 S SS 5K 48X72		72 in x 48 in / 1,830 mm x 1,219 mm	500 lb	10,770
61041815	Floor Scale 2256 S SS 5K 60X84		84 in x 60 in / 2,134 mm x 1,524 mm	750 lb	14,740
61041803	Floor Scale 2256 S SS 10K 48X48	10,000 lb / 6,000 kg	48 in x 48 in / 1,219 mm x 1,219 mm	475 lb	9,565
61041806	Floor Scale 2256 S SS 10K 48X60		60 in x 48 in / 1,524 mm x 1,219 mm	550 lb	11,760
61041809	Floor Scale 2256 S SS 10K 60X60		60 in x 60 in / 1,524 mm x 1,524 mm	625 lb	12,900
61041812	Floor Scale 2256 S SS 10K 48X72		72 in x 48 in / 1,830 mm x 1,219 mm	625 lb	12,420
61041816	Floor Scale 2256 S SS 10K 60X84		84 in x 60 in / 2,134 mm x 1,524 mm	925 lb	16,690

## 2256 Stainless Steel Accessories

Material Number	Material Description	Order Notes	Shipping Weight	List Price (CAD)
<b>Forklift Frames 304 Stainless Steel</b>				
61041713	Frame 2256 S SS 10K 36X36 FLF	1,000 - 10,000 lb capacity	125 lb	2,905
61041714	Frame 2256 S SS 10K 48X48 FLF	1,000 - 10,000 lb capacity	150 lb	3,175
61041715	Frame 2256 S SS 10K 48X60 FLF	1,000 - 10,000 lb capacity	200 lb	3,585
61041716	Frame 2256 S SS 10K 48X72 FLF	1,000 - 10,000 lb capacity	200 lb	3,800
61041717	Frame 2256 S SS 10K 60X60 FLF	1,000 - 10,000 lb capacity	200 lb	3,800
61041718	Frame 2256 S SS 10K 60X84 FLF	1,000 - 10,000 lb capacity	250 lb	4,580
<b>Quick Pit Frames 304 Stainless Steel</b>				
61041719	Frame 2256 S SS 10K 36X36 QPF	1,000 - 10,000 lb capacity	125 lb	1,950
61041720	Frame 2256 S SS 10K 48X48 QPF	1,000 - 10,000 lb capacity	150 lb	2,140
61041721	Frame 2256 S SS 10K 48X60 QPF	1,000 - 10,000 lb capacity	200 lb	2,390
61041722	Frame 2256 S SS 10K 48X72 QPF	1,000 - 10,000 lb capacity	200 lb	2,540
61041723	Frame 2256 S SS 10K 60X60 QPF	1,000 - 10,000 lb capacity	200 lb	2,540
61041724	Frame 2256 S SS 10K 60X84 QPF	1,000 - 10,000 lb capacity	250 lb	3,065
<b>Ramps 304 Stainless Smooth</b>				
61041725	Ramp PFA566 S SS 10K 36W 36L	1,000 - 10,000 lb capacity	215 lb	1,925
61041726	Ramp PFA566 S SS 10K 48W 36L	1,000 - 10,000 lb capacity	240 lb	2,490
61041728	Ramp PFA566 S SS 10K 48W 60L	1,000 - 10,000 lb capacity	240 lb	3,830
61041727	Ramp PFA566 S SS 10K 60W 36L	1,000 - 10,000 lb capacity	300 lb	3,295
61041729	Ramp PFA566 S SS 10K 60W 60L	1,000 - 10,000 lb capacity	300 lb	4,580

Commercial

# Floor Platforms

## PTA464 / PTA469 U-Scale

### Faster, Safer Weighing

#### Faster Weighing

Simply move the pallet jack or other vehicle into the scale's open area and lower the load onto the platform. No ramps to slow up the loading process.

#### Safer Operation

By eliminating ramps and pits, this U-shaped scale makes your weighing operation safer.

#### Exceptional Versatility

Add attachments to widen the platform or convert it into a standard floor scale. These options enable you to weigh different sizes and types of loads.



[www.mt.com/PTAx6x](http://www.mt.com/PTAx6x)

#### Standard Features

- Foot Locating Plates (2)
- Scale profile is very low to reduce lifting height
- Rocker Foot suspension
- Must be used with open bottom pallet
- Model 745A stainless steel hermetically sealed 2mV/V load cells
- IP69K stainless steel summing junction box
- Ideal for tanks and totes
- Designed for easy entry by hand-operated tote trucks
- 25 ft plain end-to-end instrument cable
- NTEP 5000d, Class III, COC #13-125
- Column, Wheel Kit, Load Plate, Leg Widener Kit, Rail Kit, Scale Guards

#### Approvals

#### Accessories

#### Scale Interface

Analog



Material Number	Material Description	Maximum Capacity	Dimensions (L x W)	Material	Shipping Weight	List Price (CAD)	
61046457	Floor Scale PTA464 S MS 1K 60X60	1,000 lb / 600 kg	60 in x 60 in / 1,524 mm x 1,524 mm	Mild Steel Painted Smooth	250 lb	3,905	
61046454	Floor Scale PTA464 S MS 1K 48X60		60 in x 48 in / 1,524 mm x 1,219 mm		240 lb	3,545	
61046451	Floor Scale PTA464 S MS 1K 48X48		48 in x 48 in / 1,219 mm x 1,219 mm		220 lb	3,295	
61046452	Floor Scale PTA464 S MS 2.5K 48X48	2,500 lb / 1,500 kg	48 in x 48 in / 1,219 mm x 1,219 mm		220 lb	3,295	
61046455	Floor Scale PTA464 S MS 2.5K 48X60		60 in x 48 in / 1,524 mm x 1,219 mm		240 lb	3,670	
61046458	Floor Scale PTA464 S MS 2.5K 60X60		60 in x 60 in / 1,524 mm x 1,524 mm		250 lb	3,905	
61046453	Floor Scale PTA464 S MS 5K 48X48	5,000 lb / 3,000 kg	48 in x 48 in / 1,219 mm x 1,219 mm			220 lb	3,295
61046456	Floor Scale PTA464 S MS 5K 48X60		60 in x 48 in / 1,524 mm x 1,219 mm			240 lb	3,670
61046459	Floor Scale PTA464 S MS 5K 60X60		60 in x 60 in / 1,524 mm x 1,524 mm			250 lb	3,905



Material Number	Material Description	Maximum Capacity	Dimensions (L x W)	Material	Shipping Weight	List Price (CAD)
61046466	Floor Scale PTA469 S SS 1K 60X60	1,000 lb / 600 kg	60 in x 60 in / 1,524 mm x 1,524 mm	Stainless 304 Smooth	250 lb	7,745
61046463	Floor Scale PTA469 S SS 1K 48X60		60 in x 48 in / 1,524 mm x 1,219 mm		240 lb	7,435
61046460	Floor Scale PTA469 S SS 1K 48X48		48 in x 48 in / 1,219 mm x 1,219 mm		220 lb	7,135
61046461	Floor Scale PTA469 S SS 2.5K 48X48	2,500 lb / 1,500 kg	48 in x 48 in / 1,219 mm x 1,219 mm		220 lb	7,135
61046464	Floor Scale PTA469 S SS 2.5K 48X60		60 in x 48 in / 1,524 mm x 1,219 mm		240 lb	7,435
61046467	Floor Scale PTA469 S SS 2.5K 60X60		60 in x 60 in / 1,524 mm x 1,524 mm		250 lb	7,745

Material Number	Material Description	Maximum Capacity	Dimensions (L x W)	Material	Shipping Weight	List Price (CAD)
61046462	Floor Scale PTA469 S SS 5K 48X48	5,000 lb / 3,000 kg	48 in x 48 in / 1,219 mm x 1,219 mm	Stainless 304 Smooth	220 lb	7,135
61046465	Floor Scale PTA469 S SS 5K 48X60		60 in x 48 in / 1,524 mm x 1,219 mm		240 lb	7,435
61046468	Floor Scale PTA469 S SS 5K 60X60		60 in x 60 in / 1,524 mm x 1,524 mm		250 lb	7,745

## PTA464 / PTA469 U-Scale Accessories

Material Number	Material Description	Order Notes	Shipping Weight	List Price (CAD)
<b>Columns</b>				
61046658	Column PTA464 Bolt On MS 37H	Mild Steel	30 lb	468
61046659	Column PTA469 Bolt On SS 37H	Stainless Steel	35 lb	670
<b>Guards</b>				
61046679	Guard PTA464 MS 3.25H SCL GRD	Mild Steel	35 lb	540
61046678	Guard PTA469 SS 3.25H SCL GRD	Stainless Steel	35 lb	790
<b>Wide Leg Kits</b>				
61046670	Wide Leg Kit PTA464 MS 48L	Mild Steel	50 lb	755
61046671	Wide Leg Kit PTA464 MS 60L	Mild Steel	60 lb	810
61046672	Wide Leg Kit PTA469 SS 48L	Stainless Steel	50 lb	970
61046673	Wide Leg Kit PTA469 SS 60L	Stainless Steel	60 lb	1,065
<b>Wheels</b>				
61046660	Wheels PTA469 SS KOP	Only for PTA464/469	30 lb	850
<b>Load Plates</b>				
61046661	Plate PTA464 MS 5K 48X48 LOAD PLT	Mild Steel Smooth Plate	200 lb	650
61046662	Plate PTA464 MT 5K 48X48 LOAD PLT	Mild Steel Tread Plate	200 lb	650
61046663	Plate PTA469 SS 5K 48X48 LOAD PLT	Stainless Steel Smooth Plate	200 lb	2,720
61046664	Plate PTA464 MS 5K 48X60 LOAD PLT	Mild Steel Smooth Plate	250 lb	745
61046665	Plate PTA464 MT 5K 48X60 LOAD PLT	Mild Steel Tread Plate	250 lb	745
61046666	Plate PTA469 SS 5K 48X60 LOAD PLT	Stainless Steel Smooth Plate	250 lb	3,715
61046667	Plate PTA464 MS 5K 60X60 LOAD PLT	Mild Steel Smooth Plate	300 lb	875
61046668	Plate PTA464 MT 5K 60X60 LOAD PLT	Mild Steel Tread Plate	300 lb	875
61046669	Plate PTA469 SS 5K 60X60 LOAD PLT	Stainless Steel Smooth Plate	300 lb	4,035
<b>Rail Kits</b>				
61046674	Rail Kit PTA464 MS 60L	Mild Steel	40 lb	800
61046675	Rail Kit PTA464 MS 48L	Mild Steel	40 lb	755
61046677	Rail Kit PTA469 SS 48L	Stainless Steel	40 lb	980
61046676	Rail Kit PTA469 SS 60L	Stainless Steel	40 lb	1,055



**Commercial** **Floor Platforms**  
**PUA574**



**Ultra Low-Profile Floor Scale**

**Easy Loading**

The scale's design provides an exceptionally low profile, which allows you to move loads on and off the platform quickly, safely, and easily.

**Designed for Industrial Applications**

Painted Mild Steel structure, IP69K SS junction boxes, and hermetically sealed SS load cells stand up to the toughest industrial environments.

**Fast and Simple Installation**

Adjustable feet make it easy to level the scale on uneven floors. Easy to relocate with minimal set-up.

[www.mt.com/PUA574](http://www.mt.com/PUA574)



**Standard Features**

- Foot Locating Plates (2)
- IP69k stainless steel summing junction box (remote for 24"x24")
- Rocker pin foot
- Model 745A stainless steel hermetically sealed 2mV/V load cells
- 25 ft plain end instrument cable
- 1-5/8" (24" & 30"), 2-1/8" (36", 42", & 48"x48"), 2 3/8" (48"x60")
- NTEP 5000d, Class III, COC #96-106 (48" x 48" & 48" x 60" not included)
- Factory Mutual (FM) Hazardous Area Approval

**Approvals**

**Accessories**

- Stop bars or Free-standing columns
- Ramps
- Custom sizes available

**Scale Interface**

Analog

**Material**

Mild Steel Painted Tread

Material Number	Material Description	Maximum Capacity	Dimensions (L x W)	Shipping Weight	List Price (CAD)
61043099	Floor Scale PUA574 S MT 0.5K 24X24	500 lb / 300 kg	24 in x 24 in / 610 mm x 610 mm	114 lb	3,525
61043101	Floor Scale PUA574 S MT 0.5K 30X30		30 in x 30 in / 762 mm x 762 mm	125 lb	3,885
61043100	Floor Scale PUA574 S MT 1K 24X24	1,000 lb / 600 kg	24 in x 24 in / 610 mm x 610 mm	114 lb	3,525
61043102	Floor Scale PUA574 S MT 1K 30X30		30 in x 30 in / 762 mm x 762 mm	125 lb	3,885
61043103	Floor Scale PUA574 S MT 1K 36X36		36 in x 36 in / 914 mm x 914 mm	211 lb	4,240
61043105	Floor Scale PUA574 S MT 1K 42X42		42 in x 42 in / 1,067 mm x 1,067 mm	297 lb	4,580
61044942	Floor Scale PUA574 S MT 1K 48X48		48 in x 48 in / 1,219 mm x 1,219 mm	428 lb	5,145
61044944	Floor Scale PUA574 S MT 1K 48X60		60 in x 48 in / 1,524 mm x 1,219 mm	455 lb	6,400
61043104	Floor Scale PUA574 S MT 2.5K 36X36		2,500 lb / 1,500 kg	36 in x 36 in / 914 mm x 914 mm	211 lb
61044456	Floor Scale PUA574 S MT 2.5K 42X42	42 in x 42 in / 1,067 mm x 1,067 mm		297 lb	4,580
61044943	Floor Scale PUA574 S MT 2.5K 48X48	48 in x 48 in / 1,219 mm x 1,219 mm		428 lb	5,145
61044945	Floor Scale PUA574 S MT 2.5K 48X60	60 in x 48 in / 1,524 mm x 1,219 mm		455 lb	6,230
61044946	Floor Scale PUA574 S MT 5K 48X60	5,000 lb / 3,000 kg		60 in x 48 in / 1,524 mm x 1,219 mm	455 lb



## PUA574 Accessories

Material Number	Material Description	Order Notes	Shipping Weight	List Price (CAD)
<b>Ramps Mild Steel Painted Tread</b>				
61043138	Ramp PUA574 S MT 2.5K 24W 12L		25 lb	336
61043139	Ramp PUA574 S MT 2.5K 30W 12L		32 lb	373
61043140	Ramp PUA574 S MT 2.5K 36W 12L		39 lb	423
61043141	Ramp PUA574 S MT 2.5K 42W 12L		45 lb	488
61044956	Ramp PUA574 S MT 2.5K 48W 12L	Do not use with 48" x 60"	50 lb	570
61044957	Ramp PUA574 S MT 5K 48W 12L	Use with all 48" x 60" and any 5K 48W	65 lb	630
<b>Stop Bars Stainless 304 Electropolish</b>				
61042787	Stop Bar PUA579 S SSE 2.5K 24W		6 lb	650
61042788	Stop Bar PUA579 S SSE 2.5K 30W		7 lb	650
61042789	Stop Bar PUA579 S SSE 2.5K 36W		7 lb	755
61042790	Stop Bar PUA579 S SSE 2.5K 42W		8 lb	850
61044988	Stop Bar PUA579 S SSE 2.5K 48W	Do not use with 48" x 60"	8 lb	940
<b>Stop Bars Stainless 304 Smooth</b>				
61042515	Stop Bar PUA579 S SS 2.5K 24W		6 lb	469
61042516	Stop Bar PUA579 S SS 2.5K 30W		7 lb	469
61042517	Stop Bar PUA579 S SS 2.5K 36W		7 lb	560
61042518	Stop Bar PUA579 S SS 2.5K 42W		8 lb	670
61044968	Stop Bar PUA579 S SS 2.5K 48W	Do not use with 48" x 60"	8 lb	755
61045726	Stop Bar PUA579 S SS 5K 48W	Use with all 48" x 60" and any 5K 48W	8 lb	780

**Commercial** **Floor Platforms**  
**PUA579**



**Ultra Low-Profile Floor Scale**

**Easy Loading**

The scale's design provides an exceptionally low profile, which allows you to move loads on and off the platform quickly, safely, and easily.

**Designed for Sanitary Environments**

Stainless Steel structure, IP69K SS junction boxes, and hermetically sealed SS load cells stand up to harsh, washdown environments.

**Fast and Simple Installation**

Adjustable feet make it easy to level the scale on uneven floors. Easy to relocate with minimal set-up.

[www.mt.com/FloorScale\\_PUA569](http://www.mt.com/FloorScale_PUA569)

**Standard Features**

- Foot Locating Plates (2)
- IP69k stainless steel summing junction box (remote for 24"x24")
- Rocker pin foot
- Model 745A stainless steel hermetically sealed 2mV/V load cells
- 25 ft plain end instrument cable
- Deck Height: 1-5/8" (24" & 30"), 2-1/8" (36", 42", & 48"x48"), 2 3/8" (48"x60")
- NTEP 5000d, Class III, COC #96-106 (48" x 48" & 48" x 60" not included)
- Factory Mutual (FM) Hazardous Area Approval

**Approvals**

**Accessories**

- Stop bars or Free-standing columns
- Ramps
- Custom sizes available

**Scale Interface**

Analog

**Suspension**

Rocker Foot

**Material**

Stainless 304 Smooth



Material Number	Material Description	Maximum Capacity	Dimensions (L x W)	Shipping Weight	List Price (CAD)
61043115	Floor Scale PUA579 S SS 0.5K 24X24	500 lb / 300 kg	24 in x 24 in / 610 mm x 610 mm	114 lb	4,940
61043117	Floor Scale PUA579 S SS 0.5K 30X30		30 in x 30 in / 762 mm x 762 mm	125 lb	5,205
61043116	Floor Scale PUA579 S SS 1K 24X24	1,000 lb / 600 kg	24 in x 24 in / 610 mm x 610 mm	114 lb	4,940
61043118	Floor Scale PUA579 S SS 1K 30X30		30 in x 30 in / 762 mm x 762 mm	125 lb	5,205
61043119	Floor Scale PUA579 S SS 1K 36X36		36 in x 36 in / 914 mm x 914 mm	211 lb	5,810
61043121	Floor Scale PUA579 S SS 1K 42X42		42 in x 42 in / 1,067 mm x 1,067 mm	297 lb	6,770
61044947	Floor Scale PUA579 S SS 1K 48X48		48 in x 48 in / 1,219 mm x 1,219 mm	428 lb	7,775
61044949	Floor Scale PUA579 S SS 1K 48X60		60 in x 48 in / 1,524 mm x 1,219 mm	455 lb	10,470
61043120	Floor Scale PUA579 S SS 2.5K 36X36		2,500 lb / 1,500 kg	36 in x 36 in / 914 mm x 914 mm	211 lb
61043122	Floor Scale PUA579 S SS 2.5K 42X42	42 in x 42 in / 1,067 mm x 1,067 mm		297 lb	6,770
61044948	Floor Scale PUA579 S SS 2.5K 48X48	48 in x 48 in / 1,219 mm x 1,219 mm		428 lb	7,775
61044950	Floor Scale PUA579 S SS 2.5K 48X60	60 in x 48 in / 1,524 mm x 1,219 mm		455 lb	10,470
61045970	Floor Scale PUA579 S SS 5K 48X48	5,000 lb / 3,000 kg	48 in x 48 in / 1,219 mm x 1,219 mm	455 lb	8,005
61044951	Floor Scale PUA579 S SS 5K 48X60		60 in x 48 in / 1,524 mm x 1,219 mm	455 lb	10,470

## PUA579 Accessories

Material Number	Material Description	Order Notes	Shipping Weight	List Price (CAD)
<b>Ramps Stainless 304 Smooth</b>				
61043142	Ramp PUA579 S SS 2.5K 24W 12L		25 lb	510
61043143	Ramp PUA579 S SS 2.5K 30W 12L		32 lb	560
61043144	Ramp PUA579 S SS 2.5K 36W 12L		39 lb	640
61043145	Ramp PUA579 S SS 2.5K 42W 12L		45 lb	765
61044953	Ramp PUA579 S SS 2.5K 48W 12L	Do not use with 48" x 60"	50 lb	895
61044954	Ramp PUA579 S SS 5K 48W 12L	Use with all 48" x 60" and any 5K 48W	65 lb	895
<b>Stop Bars Stainless 304 Electropolish</b>				
61042787	Stop Bar PUA579 S SSE 2.5K 24W		6 lb	650
61042788	Stop Bar PUA579 S SSE 2.5K 30W		7 lb	650
61042789	Stop Bar PUA579 S SSE 2.5K 36W		7 lb	755
61042790	Stop Bar PUA579 S SSE 2.5K 42W		8 lb	850
61044988	Stop Bar PUA579 S SSE 2.5K 48W	Do not use with 48" x 60"	8 lb	940
<b>Stop Bars Stainless 304 Smooth</b>				
61042515	Stop Bar PUA579 S SS 2.5K 24W		6 lb	469
61042516	Stop Bar PUA579 S SS 2.5K 30W		7 lb	469
61042517	Stop Bar PUA579 S SS 2.5K 36W		7 lb	560
61042518	Stop Bar PUA579 S SS 2.5K 42W		8 lb	670
61044968	Stop Bar PUA579 S SS 2.5K 48W	Do not use with 48" x 60"	8 lb	755
61045726	Stop Bar PUA579 S SS 5K 48W	Use with all 48" x 60" and any 5K 48W	8 lb	780

**Commercial** **Floor Platforms**  
**PFA569lift**

**Quick and Easy Cleaning**

**Safe Operation**

Built-in gas springs control lifting/lowering speed so that the platform opens with minimal effort and closes gently.

**Designed for Sanitary Environments**

Stainless steel structure, IP69K SS junction boxes, and hermetically sealed SS load cells stand up to harsh, washdown environments.

**Fast and Simple Installation**

Adjustable feet make it easy to level the scale on uneven floors. Easy to relocate with minimal set-up.

[www.mt.com](http://www.mt.com)



**Standard Features**

- Foot Locating Plates (2)
- Stainless steel platform
- Rocker Foot suspension
- Model 745A stainless steel hermetically sealed 2mV/load cells
- IP69K stainless steel summing junction box
- Glass bead blasted finish
- Gas-pressurized lifting struts for easy lifting
- Easy access for cleaning
- 3 3/4" in height
- 25 ft plain instrument cable
- Factory Mutual (FM) Hazardous Area Approval

**Approvals**

**Scale Interface**

**Accessories**

- Analog
- Alt. load cell (793 threaded loadcell w/threaded ball-in-cup foot)
- Optional Algrip or Slipnot material

Material Number	Material Description	Maximum Capacity	Dimensions (L x W)	Material	Shipping Weight	List Price (CAD)
<b>Stainless 304 Smooth</b>						
61045411	Floor Scale PFA569 L SS 1K 48X48	1,000 lb / 600 kg	4 ft x 4 ft	Stainless 304 Smooth	275 lb	10,960
61045424	Floor Scale PFA569 L SS 1K 60X60		5 ft x 5 ft		420 lb	13,950
61045416	Floor Scale PFA569 L SS 2.5K 48X48	2,500 lb / 1,500 kg	4 ft x 4 ft		275 lb	10,960
61045428	Floor Scale PFA569 L SS 2.5K 60X60		5 ft x 5 ft		420 lb	13,950
61045420	Floor Scale PFA569 L SS 5K 48X48	5,000 lb / 3,000 kg	4 ft x 4 ft		275 lb	10,960
61045432	Floor Scale PFA569 L SS 5K 60X60		5 ft x 5 ft		420 lb	13,950

Material Number	Material Description	Maximum Capacity	Dimensions (L x W)	Material	Shipping Weight	List Price (CAD)
<b>Stainless 304 Tread</b>						
61045412	Floor Scale PFA569 L ST 1K 48X48	1,000 lb / 600 kg	4 ft x 4 ft	Stainless 304 Tread	590 lb	13,770
61045425	Floor Scale PFA569 L ST 1K 60X60		5 ft x 5 ft		570 lb	16,360
61045417	Floor Scale PFA569 L ST 2.5K 48X48	2,500 lb / 1,500 kg	4 ft x 4 ft		590 lb	13,770
61045429	Floor Scale PFA569 L ST 2.5K 60X60		5 ft x 5 ft		570 lb	16,360
61045421	Floor Scale PFA569 L ST 5K 48X48	5,000 lb / 3,000 kg	4 ft x 4 ft		590 lb	13,770
61045433	Floor Scale PFA569 L ST 5K 60X60		5 ft x 5 ft		570 lb	16,360

## PFA569lift Accessories

Material Number	Material Description	Order Notes	Shipping Weight	List Price (CAD)
<b>Pit Liners Stainless 304 Smooth</b>				
61045457	Frame PFA569 L SS 5K 48X48 PL ODRN	No drain hole	300 lb	9,395
61045458	Frame PFA569 L SS 5K 48X48 PL 2DRN	2" Drain Hole	300 lb	9,395
61045459	Frame PFA569 L SS 5K 48X48 PL 3DRN	3" Drain Hole	300 lb	9,395
61045460	Frame PFA569 L SS 5K 60X60 PL ODRN	No drain hole	350 lb	11,410
61045461	Frame PFA569 L SS 5K 60X60 PL 2DRN	2" Drain Hole	350 lb	11,410
61045462	Frame PFA569 L SS 5K 60X60 PL 3DRN	3" Drain Hole	350 lb	11,410
<b>Quick Pit Frames 304 Stainless Steel</b>				
61045452	Frame PFA569 L SS 5K 48X48 QPF		250 lb	2,130
61045453	Frame PFA569 L SS 5K 60X60 QPF		275 lb	2,430
<b>Ramps 304 Stainless Steel</b>				
61045436	Ramp PFA569 L SS 5K 48W 36L	Ramp 4ft x 3ft (WxL). Incline 4.9 degrees.	200 lb	2,090
61045437	Ramp PFA569 L SS 5K 48W 60L	Ramp 4ft x 5ft (WxL). Incline 3.5 degrees. (low angle)	360 lb	2,450
61045438	Ramp PFA569 L SS 5K 60W 36L	Ramp 5ft x 3ft (WxL). Incline 4.9 degrees.	250 lb	3,365
61045439	Ramp PFA569 L SS 5K 60W 60L	Ramp 5ft x 5ft (WxL). Incline 3.5 degrees. (low angle)	430 lb	3,885
<b>Ramps Stainless 304 Tread</b>				
61045440	Ramp PFA569 L ST 5K 48W 36L	Ramp 4ft x 3ft (WxL). Incline 4.9 degrees	200 lb	2,895
61045441	Ramp PFA569 L ST 5K 48W 60L	Ramp 4ft x 5ft (WxL). Incline 3.5 degrees. (low angle)	360 lb	3,205
61045442	Ramp PFA569 L ST 5K 60W 36L	Ramp 5ft x 3ft (WxL). Incline 4.9 degrees	250 lb	3,775
61045443	Ramp PFA569 L ST 5K 60W 60L	Ramp 5ft x 5ft (WxL). Incline 3.5 degrees. (low angle)	430 lb	4,220
<b>Scale Guard Frame Protectors Stainless Steel</b>				
61045455	Guard PFA569 L SS 5K 48L	3.75 in high	40 lb	1,025
61045456	Guard PFA569 L SS 5K 60L	3.75 in high	45 lb	1,165

**Applied**  
**Floor Platforms**  
**2158 Mild Steel**



**Durability meets high accuracy**

**Designed to last**

Painted Mild Steel structure, IP69K SS junction boxes, and hermetically sealed SS load cells stand up to the toughest industrial environments.

**Vertex® Engine ensures best precision**

Self-aligning rocker pin suspension ensures vertical loading, providing accuracy and repeatability unmatched by traditional footed scale designs.

**Unparalleled Versatility**

Install above ground, in a pit, or in a portability frame. You choose size, capacity, surface finish, mounting fixtures...we will build to your needs.

[www.mt.com/FloorScale\\_2158\\_MS](http://www.mt.com/FloorScale_2158_MS)



**Standard Features**

- Rocker Pin Suspension
- Model 745A stainless steel hermetically sealed 2 mV/V load cells
- Low profile: 3 in (1-5k), 3-3/8 in (10k), 4 in (20k)
- IP69k stainless steel summing junction box
- 25 ft plain end instrument cable

**Approvals**

- NTEP 5000d, Class III, COC #91-097, Measurement Canada Approval #AM-4723
- Factory Mutual (FM) Hazardous Area Approval

**Accessories**

- Truck Dock Frames
- Scale guard frame protectors
- Ramps
- Quick-Pit frames
- Forklift frames

**Material**

Mild Steel Painted Tread

**Suspension**

Rocker Pin

**Scale Interface**

Analog

Material Number	Material Description	Maximum Capacity	Dimensions (L x W)	Shipping Weight	List Price (CAD)
61038916	Floor Scale 2158 S MT 0.5K 30X30	500 lb / 300 kg	30 in x 30 in / 762 mm x 762 mm	250 lb	6,200
69031970	Floor Scale 2158 S MT 1K 30X30	1,000 lb / 600 kg		250 lb	6,200
61006865	Floor Scale 2158 S MT 1K 36X36		36 in x 36 in / 914 mm x 914 mm	275 lb	6,360
61006864	Floor Scale 2158 S MT 1K 48X48		48 in x 48 in / 1,219 mm x 1,219 mm	420 lb	6,630
61006853	Floor Scale 2158 S MT 1K 48X60		60 in x 48 in / 1,524 mm x 1,219 mm	500 lb	6,840
61006851	Floor Scale 2158 S MT 1K 48X72		72 in x 48 in / 1,830 mm x 1,219 mm	570 lb	7,045
61006854	Floor Scale 2158 S MT 1K 60X60	1,000 lb / 600 kg	60 in x 60 in / 1,524 mm x 1,524 mm	590 lb	7,045
61023597	Floor Scale 2158 S MT 2.5K 30X30	2,500 lb / 1,500 kg	30 in x 30 in / 762 mm x 762 mm	250 lb	6,200
61006398	Floor Scale 2158 S MT 2.5K 36X36		36 in x 36 in / 914 mm x 914 mm	275 lb	6,360
61006400	Floor Scale 2158 S MT 2.5K 48X48		48 in x 48 in / 1,219 mm x 1,219 mm	420 lb	6,630

Material Number	Material Description	Maximum Capacity	Dimensions (L x W)	Shipping Weight	List Price (CAD)
61006404	Floor Scale 2158 S MT 2.5K 48X60	2,500 lb / 1,500 kg	60 in x 48 in / 1,524 mm x 1,219 mm	500 lb	6,840
61006413	Floor Scale 2158 S MT 2.5K 48X72		72 in x 48 in / 1,830 mm x 1,219 mm	570 lb	7,045
61006408	Floor Scale 2158 S MT 2.5K 60X60		60 in x 60 in / 1,524 mm x 1,524 mm	590 lb	7,045
61023598	Floor Scale 2158 S MT 5K 30X30	5,000 lb / 3,000 kg	30 in x 30 in / 762 mm x 762 mm	250 lb	6,200
61006399	Floor Scale 2158 S MT 5K 36X36		36 in x 36 in / 914 mm x 914 mm	275 lb	6,360
61006401	Floor Scale 2158 S MT 5K 48X48		48 in x 48 in / 1,219 mm x 1,219 mm	420 lb	6,630
61006405	Floor Scale 2158 S MT 5K 48X60		60 in x 48 in / 1,524 mm x 1,219 mm	500 lb	6,840
61006414	Floor Scale 2158 S MT 5K 48X72		72 in x 48 in / 1,830 mm x 1,219 mm	570 lb	7,045
61006409	Floor Scale 2158 S MT 5K 60X60		60 in x 60 in / 1,524 mm x 1,524 mm	590 lb	7,045
61006418	Floor Scale 2158 S MT 5K 60X84		84 in x 60 in / 2,134 mm x 1,524 mm	570 lb	7,595
61006402	Floor Scale 2158 S MT 10K 48X48	10,000 lb / 6,000 kg	48 in x 48 in / 1,219 mm x 1,219 mm	510 lb	7,455
61006406	Floor Scale 2158 S MT 10K 48X60		60 in x 48 in / 1,524 mm x 1,219 mm	675 lb	7,695
61006411	Floor Scale 2158 S MT 10K 60X60		60 in x 60 in / 1,524 mm x 1,524 mm	710 lb	8,110
61006415	Floor Scale 2158 S MT 10K 48X72		72 in x 48 in / 1,830 mm x 1,219 mm	700 lb	8,110
61006419	Floor Scale 2158 S MT 10K 60X84		84 in x 60 in / 2,134 mm x 1,524 mm	700 lb	8,430
61006403	Floor Scale 2158 S MT 20K 48X48	20,000 lb / 10,000 kg	48 in x 48 in / 1,219 mm x 1,219 mm	600 lb	7,830
61006407	Floor Scale 2158 S MT 20K 48X60		60 in x 48 in / 1,524 mm x 1,219 mm	770 lb	8,120
61006416	Floor Scale 2158 S MT 20K 48X72		72 in x 48 in / 1,830 mm x 1,219 mm	1,060 lb	8,520
61006412	Floor Scale 2158 S MT 20K 60X60		60 in x 60 in / 1,524 mm x 1,524 mm	800 lb	8,520
61006420	Floor Scale 2158 S MT 20K 60X84		84 in x 60 in / 2,134 mm x 1,524 mm	1,060 lb	9,070

## 2158 Mild Steel Accessories

Material Number	Material Description	Order Notes	Shipping Weight	List Price (CAD)
<b>Forklift Frames Painted Mild Steel</b>				
61046143	Frame 2158 S MS 5K 36X36 FLF		125 lb	1,110
61045073	Frame 2158 S MS 5K 48X48 FLF		150 lb	1,295
61046144	Frame 2158 S MS 5K 48X60 FLF		200 lb	1,450
61046145	Frame 2158 S MS 5K 48X72 FLF		225 lb	1,765
61045003	Frame 2158 S MS 5K 60X60 FLF		225 lb	1,660
61046146	Frame 2158 S MS 5K 60X84 FLF		275 lb	1,990
61045072	Frame 2158 S MS 10K 48X48 FLF		150 lb	1,505
61046304	Frame 2158 S MS 10K 48X60 FLF		200 lb	1,765
61045157	Frame 2158 S MS 10K 48X72 FLF		250 lb	1,840
61045393	Frame 2158 S MS 10K 60X60 FLF		250 lb	1,840
61045716	Frame 2158 S MS 10K 60X84 FLF		300 lb	2,150
61046148	Frame 2158 S MS 20K 48X48 FLF		200 lb	1,565
61046149	Frame 2158 S MS 20K 48X60 FLF		225 lb	1,760
61046150	Frame 2158 S MS 20K 48X72 FLF		250 lb	1,940
61045664	Frame 2158 S MS 20K 60X60 FLF		250 lb	1,825
61045138	Frame 2158 S MS 20K 60X84 FLF		300 lb	2,070
<b>Quick Pit Frames Painted Mild Steel</b>				
61044782	Frame 2158 S MS 5K 36X36 QPF		125 lb	810
61044783	Frame 2158 S MS 5K 48X48 QPF		150 lb	860
61044784	Frame 2158 S MS 5K 48X60 QPF		200 lb	975
61044785	Frame 2158 S MS 5K 48X72 QPF		225 lb	1,075
61044786	Frame 2158 S MS 5K 60X60 QPF		225 lb	1,035
61044787	Frame 2158 S MS 5K 60X84 QPF		250 lb	1,295
61044790	Frame 2158 S MS 10K 48X48 QPF		150 lb	960
61044791	Frame 2158 S MS 10K 48X60 QPF		200 lb	1,120
61044792	Frame 2158 S MS 10K 48X72 QPF		225 lb	1,155
61044793	Frame 2158 S MS 10K 60X60 QPF		225 lb	1,155
61044794	Frame 2158 S MS 10K 60X84 QPF		250 lb	1,405
61044797	Frame 2158 S MS 20K 48X48 QPF		175 lb	1,035
61044798	Frame 2158 S MS 20K 48X60 QPF		225 lb	1,110
61044799	Frame 2158 S MS 20K 48X72 QPF		250 lb	1,215
61044800	Frame 2158 S MS 20K 60X60 QPF		250 lb	1,170
61044801	Frame 2158 S MS 20K 60X84 QPF		300 lb	1,400
<b>Ramps Painted Mild Steel Tread</b>				
61006652	Ramp 2158 S MT 5K 36W 36L		200 lb	820
61006653	Ramp 2158 S MT 5K 48W 36L		250 lb	1,075
61006677	Ramp 2158 S MT 5K 48W 60L		360 lb	1,495
61006657	Ramp 2158 S MT 5K 60W 36L		300 lb	1,245
61006679	Ramp 2158 S MT 5K 60W 60L		430 lb	1,760
61006654	Ramp 2158 S MT 10K 48W 36L		260 lb	1,090
61006678	Ramp 2158 S MT 10K 48W 60L		380 lb	1,830
61006658	Ramp 2158 S MT 10K 60W 36L		320 lb	1,315
61006680	Ramp 2158 S MT 10K 60W 60L		450 lb	2,240
61006656	Ramp 2158 S MT 20K 48W 36L		270 lb	1,245
61006660	Ramp 2158 S MT 20K 60W 36L		320 lb	1,495
61010022	Ramp 2158 S MT 20K 60W 60L		460 lb	2,230



Applied

# Floor Platforms

## 2158 Stainless Steel



### Durability meets high accuracy

#### Designed to last

Stainless Steel structure, IP69K SS junction boxes, and hermetically sealed SS load cells stand up to harsh, washdown environments.

#### Vertex® Engine ensures best precision

Self-aligning rocker pin suspension ensures vertical loading, providing accuracy and repeatability unmatched by traditional footed scale designs.

#### Unparalleled Versatility

Install above ground, in a pit, or in a portability frame. You choose size, capacity, surface finish, mounting fixtures...we will build to your needs.

[www.mt.com/FloorScale\\_2158\\_SS](http://www.mt.com/FloorScale_2158_SS)



#### Standard Features

- Rocker Pin Suspension
- Model 745A stainless steel hermetically sealed 2 mV/V load cells
- Low profile: 3 in (1-5k), 3-3/8 in (10k), 4 in (20k)
- IP69k stainless steel summing junction box
- 25 ft plain end instrument cable

#### Approvals

- NTEP 5000d, Class III, COC #91-097, Measurement Canada Approval #AM-4723
- Factory Mutual (FM) Hazardous Area Approval

#### Accessories

- Truck Dock Frames
- Scale guard frame protectors
- Ramps
- Quick-Pit frames
- Forklift frames

#### Scale Interface

Analog

#### Suspension

Rocker Pin

#### Material

Stainless 304 Smooth

Material Number	Material Description	Maximum Capacity	Dimensions (L x W)	Shipping Weight	List Price (CAD)
61023614	Floor Scale 2158 S SS 0.5K 30X30	500 lb / 300 kg	30 in x 30 in / 762 mm x 762 mm	250 lb	12,100
61023615	Floor Scale 2158 S SS 1K 30X30	1,000 lb / 600 kg		250 lb	12,100
61006858	Floor Scale 2158 S SS 1K 36X36		36 in x 36 in / 914 mm x 914 mm	275 lb	12,170
61006857	Floor Scale 2158 S SS 1K 48X48		48 in x 48 in / 1,219 mm x 1,219 mm	420 lb	14,060
61006856	Floor Scale 2158 S SS 1K 48X60		60 in x 48 in / 1,524 mm x 1,219 mm	500 lb	14,880
61006863	Floor Scale 2158 S SS 1K 48X72		72 in x 48 in / 1,830 mm x 1,219 mm	570 lb	16,200
61006855	Floor Scale 2158 S SS 1K 60X60		60 in x 60 in / 1,524 mm x 1,524 mm	590 lb	16,020
61023617	Floor Scale 2158 S SS 2.5K 30X30		2,500 lb / 1,500 kg	30 in x 30 in / 762 mm x 762 mm	250 lb
61006505	Floor Scale 2158 S SS 2.5K 36X36	36 in x 36 in / 914 mm x 914 mm		275 lb	12,170
61006507	Floor Scale 2158 S SS 2.5K 48X48	48 in x 48 in / 1,219 mm x 1,219 mm		420 lb	14,060
61006510	Floor Scale 2158 S SS 2.5K 48X60	60 in x 48 in / 1,524 mm x 1,219 mm		500 lb	14,880

## Floor Platforms

Material Number	Material Description	Maximum Capacity	Dimensions (L x W)	Shipping Weight	List Price (CAD)
61006516	Floor Scale 2158 S SS 2.5K 48X72	2,500 lb / 1,500 kg	72 in x 48 in / 1,830 mm x 1,219 mm	570 lb	16,200
61006513	Floor Scale 2158 S SS 2.5K 60X60		60 in x 60 in / 1,524 mm x 1,524 mm	590 lb	16,020
69032005	Floor Scale 2158 S SS 5K 30X30	5,000 lb / 3,000 kg	30 in x 30 in / 762 mm x 762 mm	250 lb	11,820
61006506	Floor Scale 2158 S SS 5K 36X36		36 in x 36 in / 914 mm x 914 mm	275 lb	12,170
61006508	Floor Scale 2158 S SS 5K 48X48		48 in x 48 in / 1,219 mm x 1,219 mm	420 lb	14,060
61006511	Floor Scale 2158 S SS 5K 48X60		60 in x 48 in / 1,524 mm x 1,219 mm	500 lb	14,880
61006517	Floor Scale 2158 S SS 5K 48X72		72 in x 48 in / 1,830 mm x 1,219 mm	570 lb	16,200
61006514	Floor Scale 2158 S SS 5K 60X60		60 in x 60 in / 1,524 mm x 1,524 mm	590 lb	16,020
69034176	Floor Scale 2158 S SS 5K 60X84		84 in x 60 in / 2,134 mm x 1,524 mm	800 lb	21,610
61006509	Floor Scale 2158 S SS 10K 48X48		10,000 lb / 6,000 kg	48 in x 48 in / 1,219 mm x 1,219 mm	510 lb
61006512	Floor Scale 2158 S SS 10K 48X60	60 in x 48 in / 1,524 mm x 1,219 mm		675 lb	17,530
61006518	Floor Scale 2158 S SS 10K 48X72	72 in x 48 in / 1,830 mm x 1,219 mm		700 lb	19,650
61006515	Floor Scale 2158 S SS 10K 60X60	60 in x 60 in / 1,524 mm x 1,524 mm		710 lb	19,650
61006519	Floor Scale 2158 S SS 10K 60X84	84 in x 60 in / 2,134 mm x 1,524 mm		1,000 lb	22,640
61023626	Floor Scale 2158 S SS 20K 48X72	20,000 lb / 10,000 kg	72 in x 48 in / 1,830 mm x 1,219 mm	1,060 lb	20,740
61023624	Floor Scale 2158 S SS 20K 60X60		60 in x 60 in / 1,524 mm x 1,524 mm	800 lb	20,740
69032015	Floor Scale 2158 S SS 20K 60X84		84 in x 60 in / 2,134 mm x 1,524 mm	1,200 lb	24,310

## 2158 Stainless Steel Accessories

Material Number	Material Description	Order Notes	Shipping Weight	List Price (CAD)
<b>Forklift Frames 304 Stainless Steel</b>				
61046151	Frame 2158 S SS 5K 36X36 FLF		125 lb	2,840
61045020	Frame 2158 S SS 5K 48X48 FLF		150 lb	3,025
61045611	Frame 2158 S SS 5K 48X60 FLF		200 lb	3,410
61046152	Frame 2158 S SS 5K 48X72 FLF		225 lb	3,515
61045069	Frame 2158 S SS 5K 60X60 FLF		225 lb	3,790
61046153	Frame 2158 S SS 5K 60X84 FLF		275 lb	6,100
61045164	Frame 2158 S SS 10K 48X48 FLF		150 lb	3,405
61046154	Frame 2158 S SS 10K 48X60 FLF		200 lb	4,045
61046156	Frame 2158 S SS 10K 48X72 FLF		250 lb	4,650
61046155	Frame 2158 S SS 10K 60X60 FLF		250 lb	4,620
61046157	Frame 2158 S SS 10K 60X84 FLF		300 lb	6,480
<b>Pit Liners 304 Stainless Steel</b>				
61043535	Frame 2158 S SS 5K 48X48 PL ODRN	No drain hole	300 lb	10,890
<b>Quick Pit Frames 304 Stainless Steel</b>				
61044803	Frame 2158 S SS 5K 36X36 QPF		125 lb	1,835
61044804	Frame 2158 S SS 5K 48X48 QPF		150 lb	2,375
61044805	Frame 2158 S SS 5K 48X60 QPF		200 lb	2,280
61044806	Frame 2158 S SS 5K 48X72 QPF		225 lb	2,510
61044807	Frame 2158 S SS 5K 60X60 QPF		225 lb	2,415
61044808	Frame 2158 S SS 5K 60X84 QPF		250 lb	3,770
61044811	Frame 2158 S SS 10K 48X48 QPF		150 lb	2,620
61044812	Frame 2158 S SS 10K 48X60 QPF		200 lb	2,875
61044813	Frame 2158 S SS 10K 48X72 QPF		225 lb	3,145
61044814	Frame 2158 S SS 10K 60X60 QPF		225 lb	3,145
61044815	Frame 2158 S SS 10K 60X84 QPF		250 lb	4,570
<b>Ramps Stainless 304 Smooth</b>				
61006672	Ramp 2158 S SS 5K 36W 36L		200 lb	1,915
61006673	Ramp 2158 S SS 5K 48W 36L		250 lb	2,465
69032536	Ramp 2158 S SS 5K 48W 60L		360 lb	3,730
61006675	Ramp 2158 S SS 5K 60W 36L		300 lb	3,275
61023968	Ramp 2158 S SS 5K 60W 60L		430 lb	4,445
61006674	Ramp 2158 S SS 10K 48W 36L		260 lb	2,875
61046847	Ramp 2158 S SS 10K 48W 60L		380 lb	3,625
61006676	Ramp 2158 S SS 10K 60W 36L		320 lb	3,765
61023970	Ramp 2158 S SS 10K 60W 60L		450 lb	4,905
61010018	Ramp 2158 S SS 20K 48W 36L		270 lb	2,870
61010021	Ramp 2158 S SS 20K 48W 60L		400 lb	4,360
61010017	Ramp 2158 S SS 20K 60W 36L		320 lb	3,645
61010019	Ramp 2158 S SS 20K 60W 60L		460 lb	4,690
<b>Ramps 304 Stainless Steel Tread</b>				
61006667	Ramp 2158 S ST 5K 36W 36L		200 lb	2,570
61006668	Ramp 2158 S ST 5K 48W 36L		250 lb	3,165
61045705	Ramp 2158 S ST 5K 48W 60L		360 lb	5,305
61006670	Ramp 2158 S ST 5K 60W 36L		300 lb	4,015
61006669	Ramp 2158 S ST 10K 48W 36L		260 lb	3,435
61006671	Ramp 2158 S ST 10K 60W 36L		320 lb	4,300
61038999	Ramp 2158 S ST 10K 60W 60L		450 lb	6,550

# Applied Floor Platforms

## PTA664 / PTA669 U-Scale

### Faster, More Precise Weighing

#### Faster Weighing

Simply move the pallet jack or other vehicle into the scale's open area and lower the load onto the platform. No ramps to slow up the loading process.

#### Greater Accuracy

The scale's rocker-pin suspension automatically aligns load forces for accurate weighing. This type of suspension outperforms threaded connections.

#### Easier Cleaning

With the U-shaped platform, there is less surface area to clean. The open area makes it easy to clean under the scale.

[www.mt.com/PTAx6x](http://www.mt.com/PTAx6x)



#### Standard Features

- Scale profile is very low to reduce lifting height- 3 in.
- Rocker Pin Suspension
- Must be used with open bottom pallet
- Model 745A stainless steel hermetically sealed 2mV/V load cells
- IP69K stainless steel summing junction box
- Ideal for tanks and totes
- Designed for easy entry by hand-operated tote trucks
- 25 ft plain end-to-end instrument cable
- NTEP 5000d, Class III, COC #13-125

#### Approvals

#### Accessories

#### Scale Interface

- Column, Load Plate, Leg Widner Kit, Rail Kit, Scale Guards
- Analog



Material Number	Material Description	Maximum Capacity	Dimensions (L x W)	Material	Shipping Weight	List Price (CAD)	
61046469	Floor Scale PTA664 S MS 1K 48X48	1,000 lb / 600 kg	48 in x 48 in / 1,219 mm x 1,219 mm	Mild Steel Painted Smooth	240 lb	6,080	
61046472	Floor Scale PTA664 S MS 1K 48X60		60 in x 48 in / 1,524 mm x 1,219 mm		260 lb	6,530	
61046475	Floor Scale PTA664 S MS 1K 60X60		60 in x 60 in / 1,524 mm x 1,524 mm		270 lb	6,970	
61046470	Floor Scale PTA664 S MS 2.5K 48X48	2,500 lb / 1,500 kg	48 in x 48 in / 1,219 mm x 1,219 mm		240 lb	6,080	
61046473	Floor Scale PTA664 S MS 2.5K 48X60		60 in x 48 in / 1,524 mm x 1,219 mm		260 lb	6,530	
61046476	Floor Scale PTA664 S MS 2.5K 60X60		60 in x 60 in / 1,524 mm x 1,524 mm		270 lb	6,970	
61046471	Floor Scale PTA664 S MS 5K 48X48	5,000 lb / 3,000 kg	48 in x 48 in / 1,219 mm x 1,219 mm		Stainless 304 Smooth	240 lb	6,080
61046474	Floor Scale PTA664 S MS 5K 48X60		60 in x 48 in / 1,524 mm x 1,219 mm			260 lb	6,503
61046477	Floor Scale PTA664 S MS 5K 60X60		60 in x 60 in / 1,524 mm x 1,524 mm			270 lb	6,970
61046478	Floor Scale PTA669 S SS 1K 48X48	1,000 lb / 600 kg	48 in x 48 in / 1,219 mm x 1,219 mm	Stainless 304 Smooth		240 lb	12,040
61046481	Floor Scale PTA669 S SS 1K 48X60		60 in x 48 in / 1,524 mm x 1,219 mm			260 lb	12,900
61046484	Floor Scale PTA669 S SS 1K 60X60		60 in x 60 in / 1,524 mm x 1,524 mm			270 lb	13,770

Material Number	Material Description	Maximum Capacity	Dimensions (L x W)	Material	Shipping Weight	List Price (CAD)
61046479	Floor Scale PTA669 S SS 2.5K 48X48	2,500 lb / 1,500 kg	48 in x 48 in / 1,219 mm x 1,219 mm	Stainless 304 Smooth	240 lb	12,040
61046482	Floor Scale PTA669 S SS 2.5K 48X60		60 in x 48 in / 1,524 mm x 1,219 mm		260 lb	12,900
61046485	Floor Scale PTA669 S SS 2.5K 60X60		60 in x 60 in / 1,524 mm x 1,524 mm		270 lb	13,770
61046480	Floor Scale PTA669 S SS 5K 48X48	5,000 lb / 3,000 kg	48 in x 48 in / 1,219 mm x 1,219 mm		240 lb	12,040
61046483	Floor Scale PTA669 S SS 5K 48X60		60 in x 48 in / 1,524 mm x 1,219 mm		260 lb	12,900
61046486	Floor Scale PTA669 S SS 5K 60X60		60 in x 60 in / 1,524 mm x 1,524 mm		270 lb	13,770

### PTA664 / PTA669 U-Scale Accessories

Material Number	Material Description	Order Notes	Shipping Weight	List Price (CAD)
<b>Columns</b>				
61046658	Column PTA664 Bolt on MS 37H	Mild Steel	30 lb	468
61046659	Column PTA669 Bolt on SS 37H	Stainless Steel	35 lb	670
<b>Guards</b>				
61046943	Guard PTA664 MS 2.94H SCL GRD	Mild Steel	35 lb	515
61046944	Guard PTA669 SS 2.94H SCL GRD	Stainless Steel	35 lb	765
<b>Wide Leg Kits</b>				
61046670	Wide Leg Kit PTA464 MS 48L	Mild Steel	50 lb	755
61046671	Wide Leg Kit PTA464 MS 60L	Mild Steel	50 lb	810
61046672	Wide Leg Kit PTA469 SS 48L	Stainless Steel	50 lb	970
61046673	Wide Leg Kit PTA469 SS 60L	Stainless Steel	50 lb	1,065
<b>Load Plates</b>				
61046661	Plate PTA464 MS 5K 48X48 LOAD PLT	Mild Steel Smooth Plate	200 lb	650
61046662	Plate PTA464 MT 5K 48X48 LOAD PLT	Mild Steel Tread Plate	200 lb	650
61046663	Plate PTA469 SS 5K 48X48 LOAD PLT	Stainless Steel Smooth Plate	200 lb	2,720
61046664	Plate PTA464 MS 5K 48X60 LOAD PLT	Mild Steel Smooth Plate	250 lb	745
61046665	Plate PTA464 MT 5K 48X60 LOAD PLT	Mild Steel Tread Plate	250 lb	745
61046666	Plate PTA469 SS 5K 48X60 LOAD PLT	Stainless Steel Smooth Plate	250 lb	3,715
61046667	Plate PTA464 MS 5K 60X60 LOAD PLT	Mild Steel Smooth Plate	300 lb	875
61046668	Plate PTA464 MT 5K 60X60 LOAD PLT	Mild Steel Tread Plate	300 lb	875
61046669	Plate PTA469 SS 5K 60X60 LOAD PLT	Stainless Steel Smooth Plate	300 lb	4,035
<b>Rail Kits</b>				
61046675	Rail Kit PTA464 MS 48L	Mild Steel	40 lb	755
61046674	Rail Kit PTA464 MS 60L	Mild Steel	40 lb	800
61046677	Rail Kit PTA469 SS 48L	Stainless Steel	40 lb	980
61046676	Rail Kit PTA469 SS 60L	Stainless Steel	40 lb	1,055



**Applied**  
**Floor Platforms**  
**2888 Static Mild Steel**



**Ultra Low-Profile Floor Scale**

**Easy Loading**

The scale's design provides an exceptionally low profile, which allows you to move loads on and off the platform quickly, safely, and easily.

**Designed for Industrial Applications**

Painted Mild Steel structure, IP69K SS junction boxes, and hermetically sealed SS load cells stand up to the toughest industrial environments.

**Vertex® Engine ensures best precision**

Self-aligning rocker pin suspension ensures vertical loading, providing accuracy and repeatability unmatched by traditional footed scale designs.

[www.mt.com/FloorScale\\_Deckmate\\_MS](http://www.mt.com/FloorScale_Deckmate_MS)



**Standard Features**

- Rocker Pin Suspension
- Model 745A stainless steel hermetically sealed 2 mV/V load cells
- IP69k stainless steel summing junction box (remote for 24"x24")
- 25 ft plain end instrument cable
- 1-3/8" (24" & 30"), 1-7/8" (36", 42", 48"x48") & 2-1/2" height (48"x60")

**Approvals**

- NTEP 5000d, Class III, COC #96-106, Measurement Canada Approval #AM-5175 (Excluding 48"x48" and 48"x60")

**Accessories**

- Factory Mutual (FM) Hazardous Area Approval
- Stop bars
- Ramps
- Columns

**Scale Interface**

Analog

**Suspension**

Rocker Pin

**Options**

Remote Junction Box; 15' cable

Material Number	Material Description	Maximum Capacity	Dimensions (L x W x H)	Material	Shipping Weight	List Price (CAD)
<b>Mild Steel Painted Smooth</b>						
61042752	Floor Scale 2888 S MS 0.5K 24X24 C5	500 lb / 300 kg	24 in x 24 in x 1.38 in / 610 mm x 610 mm x 35 mm	Mild Steel Painted Smooth	125 lb	5,185
61042743	Floor Scale 2888 S MS 0.5K 30X30		30 in x 30 in x 1.38 in / 762 mm x 762 mm x 35 mm		125 lb	5,185
61042758	Floor Scale 2888 S MS 0.5K 36X36		36 in x 36 in x 1.88 in / 914 mm x 914 mm x 48 mm		250 lb	6,210
61042981	Floor Scale 2888 S MS 1K 24X24 C5	1,000 lb / 600 kg	24 in x 24 in x 1.38 in / 610 mm x 610 mm x 35 mm		125 lb	5,185
61042727	Floor Scale 2888 S MS 1K 30X30		30 in x 30 in x 1.38 in / 762 mm x 762 mm x 35 mm		125 lb	5,185
61042762	Floor Scale 2888 S MS 1K 36X36		36 in x 36 in x 1.88 in / 914 mm x 914 mm x 48 mm		250 lb	6,210
61042731	Floor Scale 2888 S MS 1K 42X42		42 in x 42 in x 1.88 in / 1,067 mm x 1,067 mm x 48 mm		350 lb	6,450
61046189	Floor Scale 2888 S MS 1K 48X48		48 in x 48 in x 2.5 in / 1,219 mm x 1,219 mm x 64 mm		498 lb	7,495
61046191	Floor Scale 2888 S MS 1K 48X60		60 in x 48 in x 2.5 in / 1,524 mm x 1,219 mm x 64 mm		535 lb	10,080

Material Number	Material Description	Maximum Capacity	Dimensions (L x W x H)	Material	Shipping Weight	List Price (CAD)
61042744	Floor Scale 2888 S MS 2.5K 36X36	2,500 lb / 1,500 kg	36 in x 36 in x 1.88 in / 914 mm x 914 mm x 48 mm	Mild Steel Painted Smooth	250 lb	6,045
61042732	Floor Scale 2888 S MS 2.5K 42X42		42 in x 42 in x 1.88 in / 1,067 mm x 1,067 mm x 48 mm		350 lb	6,630
61045992	Floor Scale 2888 S MS 2.5K 48X48		48 in x 48 in x 2.5 in / 1,219 mm x 1,219 mm x 64 mm		498 lb	7,305
61046196	Floor Scale 2888 S MS 2.5K 48X60		60 in x 48 in x 2.5 in / 1,524 mm x 1,219 mm x 64 mm		535 lb	10,080
61046197	Floor Scale 2888 S MS 5K 48X60	5,000 lb / 300 kg			535 lb	10,080

**Mild Steel Painted Tread**

61042755	Floor Scale 2888 S MT 0.5K 24X24 C5	500 lb / 300 kg	24 in x 24 in x 1.38 in / 610 mm x 610 mm x 35 mm	Mild Steel Painted Tread	125 lb	5,185
61042739	Floor Scale 2888 S MT 0.5K 30X30		30 in x 30 in x 1.38 in / 762 mm x 762 mm x 35 mm		125 lb	5,185
61042757	Floor Scale 2888 S MT 0.5K 36X36		36 in x 36 in x 1.88 in / 914 mm x 914 mm x 48 mm		250 lb	6,035
61042754	Floor Scale 2888 S MT 1K 24X24 C5	1,000 lb / 600 kg	24 in x 24 in x 1.38 in / 610 mm x 610 mm x 35 mm		125 lb	5,185
61042725	Floor Scale 2888 S MT 1K 30X30		30 in x 30 in x 1.38 in / 762 mm x 762 mm x 35 mm		125 lb	5,185
61042741	Floor Scale 2888 S MT 1K 36X36		36 in x 36 in x 1.88 in / 914 mm x 914 mm x 48 mm		250 lb	6,035
61042729	Floor Scale 2888 S MT 1K 42X42		42 in x 42 in x 1.88 in / 1,067 mm x 1,067 mm x 48 mm		350 lb	6,450
61046176	Floor Scale 2888 S MT 1K 48X48		48 in x 48 in x 2.5 in / 1,219 mm x 1,219 mm x 64 mm		498 lb	7,495
61046180	Floor Scale 2888 S MT 1K 48X60		60 in x 48 in x 2.5 in / 1,524 mm x 1,219 mm x 64 mm		535 lb	10,080
61042742	Floor Scale 2888 S MT 2.5K 36X36	2,500 lb / 1,500 kg	36 in x 36 in x 1.88 in / 914 mm x 914 mm x 48 mm		250 lb	6,035
61042730	Floor Scale 2888 S MT 2.5K 42X42		42 in x 42 in x 1.88 in / 1,067 mm x 1,067 mm x 48 mm		350 lb	6,450
61045960	Floor Scale 2888 S MT 2.5K 48X48		48 in x 48 in x 2.5 in / 1,219 mm x 1,219 mm x 64 mm		498 lb	7,305
61046183	Floor Scale 2888 S MT 2.5K 48X60		60 in x 48 in x 2.5 in / 1,524 mm x 1,219 mm x 64 mm		535 lb	10,080
61045764	Floor Scale 2888 S MT 5K 48X60		5000 lb / 3,000 kg		60 in x 48 in x 2.5 in / 1,524 mm x 1,219 mm x 64 mm	535 lb

## 2888 Static Mild Steel Accessories

Material Number	Material Description	Order Notes	Shipping Weight	List Price (CAD)
<b>Stop Bars Stainless 304 Smooth</b>				
61042515	Stop Bar PUA579 S SS 2.5K 24W		6 lb	469
61042516	Stop Bar PUA579 S SS 2.5K 30W		7 lb	469
61042517	Stop Bar PUA579 S SS 2.5K 36W		7 lb	560
61042518	Stop Bar PUA579 S SS 2.5K 42W		8 lb	670
61044968	Stop Bar PUA579 S SS 2.5K 48W	Do not use with 48" x 60"	8 lb	755
61045726	Stop Bar PUA579 S SS 5K 48W	Use with all 48" x 60" and any 5K 48W	8 lb	780
<b>Ramps Painted Smooth</b>				
61078218	Ramp 2888 S MS 2.5K 24W 6L		15 lb	call
61076661	Ramp 2888 S MS 2.5K 30W 6L		15 lb	call
61045778	Ramp 2888 S MS 2.5K 30W 12L		25 lb	351
61076665	Ramp 2888 S MS 2.5K 30W 18L		25 lb	call
61076597	Ramp 2888 S MS 2.5K 36W 12L		25 lb	call
61076593	Ramp 2888 S MS 2.5K 36W 18L		25 lb	389
61076625	Ramp 2888 S MS 2.5K 42W 12L		25 lb	call
61076621	Ramp 2888 S MS 2.5K 42W 18L		25 lb	call
61045993	Ramp 2888 S MS 2.5K 48W 18L	Do not use with 48" X 60"	28 lb	670
30092972	Ramp 2888 S MS 5K 48W 18L		29 lb	call
<b>Ramps Painted Tread</b>				
61078219	Ramp 2888 S MT 2.5K 24W 6L		15 lb	call
61078287	Ramp 2888 S MT 2.5K 24W 12L		25 lb	call
61045777	Ramp 2888 S MT 2.5K 30W 6L		15 lb	640
61076664	Ramp 2888 S MT 2.5K 30W 12L		25 lb	call
61076666	Ramp 2888 S MT 2.5K 30W 18L		25 lb	call
61076598	Ramp 2888 S MT 2.5K 36W 12L		25 lb	call
61076594	Ramp 2888 S MT 2.5K 36W 18L		25 lb	call
61076626	Ramp 2888 S MT 2.5K 42W 12L		25 lb	389
61076622	Ramp 2888 S MT 2.5K 42W 18L		25 lb	call
61093168	Ramp 2888 S MT 2.5K 48W 12L	Do not use with 48" X 60"	25 lb	call
61092245	Ramp 2888 S MT 5K 48W 18L		29 lb	call



# Applied Floor Platforms

## 2888 Static Stainless Steel



### Ultra Low-Profile Floor Scale

#### Easy Loading

The scale's design provides an exceptionally low profile, which allows you to move loads on and off the platform quickly, safely, and easily.

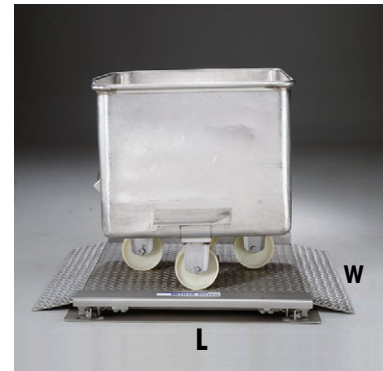
#### Designed for Sanitary Environments

Stainless Steel structure, IP69K SS junction boxes, and hermetically sealed SS load cells stand up to harsh, washdown environments.

#### Vertex® Engine ensures best precision

Self-aligning rocker pin suspension ensures vertical loading, providing accuracy and repeatability unmatched by traditional footed scale designs.

[www.mt.com/FloorScale\\_Deckmate\\_SS](http://www.mt.com/FloorScale_Deckmate_SS)



- |                          |  |
|--------------------------|--|
| <b>Scale Interface</b>   | Analog   |
| <b>Suspension</b>        | Rocker Pin   |
| <b>Options</b>           | Remote Junction Box; 15' cable   |
| <b>Standard Features</b> | <ul style="list-style-type: none"> <li>• Rocker Pin Suspension</li> <li>• Model 745A stainless steel hermetically sealed 2 mV/V load cells</li> <li>• IP69k stainless steel summing junction box (remote for 24"x24")</li> <li>• 25 ft plain end instrument cable</li> <li>• 1-3/8" (24" &amp; 30"), 1-7/8" (36", 42", 48"x48") &amp; 2-1/2" height (48"x60")</li> </ul> |

- |                  |   |
|------------------|---|
| <b>Approvals</b> | <ul style="list-style-type: none"> <li>• NTEP 5000d, Class III, COC #96-106, Measurement Canada Approval #AM-5175 (Excluding 48"x48" and 48"x60")</li> <li>• Factory Mutual (FM) Hazardous Area Approval</li> </ul> |
|------------------|---|

- |                    |   |
|--------------------|---|
| <b>Accessories</b> | <ul style="list-style-type: none"> <li>• Stop bars</li> <li>• Ramps</li> <li>• Columns</li> </ul> |
|--------------------|---|

Material Number	Material Description	Maximum Capacity	Dimensions (L x W x H)	Material	Shipping Weight	List Price (CAD)
<b>Stainless 304 Glass Bead Blasted Smooth</b>						
61042753	Floor Scale 2888 S SS 0.5K 24X24 C5	500 lb / 300 kg	24 in x 24 in x 1.38 in / 610 mm x 610 mm x 35 mm	Stainless 304 Glass Bead Blasted Smooth	125 lb	7,680
61042749	Floor Scale 2888 S SS 0.5K 30X30		30 in x 30 in x 1.38 in / 762 mm x 762 mm x 35 mm		125 lb	7,680
61042761	Floor Scale 2888 S SS 0.5K 36X36		36 in x 36 in x 1.88 in / 914 mm x 914 mm x 48 mm		250 lb	11,710
61043024	Floor Scale 2888 S SS 1K 24X24 C5	1,000 lb / 600 kg	24 in x 24 in x 1.38 in / 610 mm x 610 mm x 35 mm		125 lb	7,680
61042728	Floor Scale 2888 S SS 1K 30X30		30 in x 30 in x 1.38 in / 762 mm x 762 mm x 35 mm		125 lb	7,680
61042750	Floor Scale 2888 S SS 1K 36X36		36 in x 36 in x 1.88 in / 914 mm x 914 mm x 48 mm		250 lb	11,710
61042737	Floor Scale 2888 S SS 1K 42X42		42 in x 42 in x 1.88 in / 1,067 mm x 1,067 mm x 48 mm		350 lb	12,970
61045563	Floor Scale 2888 S SS 1K 48X48		48 in x 48 in x 1.88 in / 1,219 mm x 1,219 mm x 48 mm			14,290

Material Number	Material Description	Maximum Capacity	Dimensions (L x W x H)	Material	Shipping Weight	List Price (CAD)
61042751	Floor Scale 2888 S SS 2.5K 36X36	2,500 lb / 1,500 kg	36 in x 36 in x 1.88 in / 914 mm x 914 mm x 48 mm	Stainless 304 Glass Bead Blasted Smooth	250 lb	11,710
61042738	Floor Scale 2888 S SS 2.5K 42X42		42 in x 42 in x 1.88 in / 1,067 mm x 1,067 mm x 48 mm		350 lb	12,970
61045598	Floor Scale 2888 S SS 2.5K 48X48		48 in x 48 in x 1.88 in / 1,219 mm x 1,219 mm x 48 mm			14,290
61045860	Floor Scale 2888 S SS 2.5K 48X60		60 in x 48 in x 2.56 in / 1,524 mm x 1,219 mm x 65 mm			17,690
61045637	Floor Scale 2888 S SS 5K 48x60	5,000 lb / 3,000 kg	60 in x 48 in x 2.56 in / 1,524 mm x 1,219 mm x 65 mm			17,690

### Stainless 304 Glass Bead Blasted Tread

61044222	Floor Scale 2888 S ST 0.5K 24X24 C5	500 lb / 300 kg	24 in x 24 in x 1.38 in / 610 mm x 610 mm x 35 mm	Stainless 304 Glass Bead Blasted Tread	125 lb	7,725	
61042759	Floor Scale 2888 S ST 0.5K 30X30		30 in x 30 in x 1.38 in / 762 mm x 762 mm x 35 mm		125 lb	7,725	
61042760	Floor Scale 2888 S ST 0.5K 36X36		36 in x 36 in x 1.88 in / 914 mm x 914 mm x 48 mm		250 lb	call	
61046201	Floor Scale 2888 S ST 1K 24X24 C5	1,000 lb / 600 kg	24 in x 24 in x 1.38 in / 610 mm x 610 mm		125 lb	7,915	
61042726	Floor Scale 2888 S ST 1K 30X30		30 in x 30 in x 1.38 in / 762 mm x 762 mm x 35 mm		125 lb	7,725	
61042745	Floor Scale 2888 S ST 1K 36X36		36 in x 36 in x 1.88 in / 914 mm x 914 mm x 48 mm		250 lb	11,760	
61042735	Floor Scale 2888 S ST 1K 42X42		42 in x 42 in x 1.88 in / 1,067 mm x 1,067 mm x 48 mm		350 lb	13,370	
61046203	Floor Scale 2888 S ST 1K 48X48		48 in x 48 in x 1.88 in / 1,219 mm x 1,219 mm x 48 mm			14,740	
61046207	Floor Scale 2888 S ST 1K 48X60		60 in x 48 in x 2.56 in / 1,524 mm x 1,219 mm x 65 mm			18,270	
61042746	Floor Scale 2888 S ST 2.5K 36X36		2,500 lb / 1,500 kg		36 in x 36 in x 1.88 in / 914 mm x 914 mm x 48 mm	250 lb	11,760
61042736	Floor Scale 2888 S ST 2.5K 42X42				42 in x 42 in x 1.88 in / 1,067 mm x 1,067 mm x 48 mm	350 lb	13,030
61046209	Floor Scale 2888 S ST 2.5K 48X48				48 in x 48 in x 1.88 in / 1,219 mm x 1,219 mm x 48 mm		14,740
61046211	Floor Scale 2888 S ST 2.5K 48X60	60 in x 48 in x 2.56 in / 1,524 mm x 1,219 mm x 65 mm				18,270	
61046213	Floor Scale 2888 S ST 5K 48X60	5,000 lb / 3,000 kg			60 in x 48 in x 2.56 in / 1,524 mm x 1,219 mm x 65 mm		18,270

### Stainless 316 Glass Bead Blasted Smooth

61044363	Floor Scale 2888 S 6S 0.5K 30X30	500 lb / 300 kg	30 in x 30 in x 1.38 in / 762 mm x 762 mm x 35 mm	Stainless 316 Glass Bead Blasted Smooth	125 lb	11,930
61043299	Floor Scale 2888 S 6S 0.5K 36X36		36 in x 36 in x 1.88 in / 914 mm x 914 mm x 48 mm		250 lb	18,040
61045172	Floor Scale 2888 S 6S 1K 24X24	1,000 lb / 600 kg	24 in x 24 in x 1.38 in / 610 mm x 610 mm x 35 mm		125 lb	11,930
61044319	Floor Scale 2888 S 6S 1K 30X30		30 in x 30 in x 1.38 in / 762 mm x 762 mm x 35 mm		125 lb	11,930
61044243	Floor Scale 2888 S 6S 1K 36X36		36 in x 36 in x 1.88 in / 914 mm x 914 mm x 48 mm		250 lb	18,040
61043771	Floor Scale 2888 S 6S 2.5K 42X42		2,500 lb / 1,500 kg		42 in x 42 in x 1.88 in / 1,067 mm x 1,067 mm x 48 mm	350 lb

## 2888 Static Stainless Steel Accessoris

Material Number	Material Description	Order Notes	Shipping Weight	List Price (CAD)
<b>Stop Bars Stainless 304 Smooth</b>				
61042515	Stop Bar PUA579 S SS 2.5K 24W		6 lb	469
61042516	Stop Bar PUA579 S SS 2.5K 30W		7 lb	469
61042517	Stop Bar PUA579 S SS 2.5K 36W		7 lb	560
61042518	Stop Bar PUA579 S SS 2.5K 42W		8 lb	670
61044968	Stop Bar PUA579 S SS 2.5K 48W	Do not use with 48" x 60"	8 lb	755
61045726	Stop Bar PUA579 S SS 5K 48W	Use with all 48" x 60" and any 5K 48W	8 lb	780
<b>Ramps Stainless 304 Smooth</b>				
61078175	Ramp 2888 S SS 2.5K 24W 6L		15 lb	call
61077922	Ramp 2888 S SS 2.5K 24W 12L		25 lb	442
61076667	Ramp 2888 S SS 2.5K 30W 6L		15 lb	call
61076669	Ramp 2888 S SS 2.5K 30W 12L		25 lb	478
61076671	Ramp 2888 S SS 2.5K 30W 18L		25 lb	560
61076595	Ramp 2888 S SS 2.5K 36W 12L		25 lb	630
61076591	Ramp 2888 S SS 2.5K 36W 18L		25 lb	call
61076623	Ramp 2888 S SS 2.5K 42W 12L		25 lb	745
61076619	Ramp 2888 S SS 2.5K 42W 18L		25 lb	call
61096000	Ramp 2888 S SS 2.5K 48W 12L	Do not use with 48" X 60"	30 lb	call
61078497	Ramp 2888 S SS 2.5K 48W 18L	Do not use with 48" X 60"	35 lb	call
61092635	Ramp 2888 S SS 5K 48W 18L	Use with all 48" X 60" and 5K 48W	35 lb	call
<b>Ramps Stainless 316 Smooth</b>				
61077817	Ramp 2888 S 6S 2.5K 30W 6L		15 lb	call
61077295	Ramp 2888 S 6S 2.5K 30W 12L		25 lb	1,005
61077946	Ramp 2888 S 6S 2.5K 36W 12L		25 lb	990
61089918	Ramp 2888 S 6S 2.5K 36W 18L		25 lb	call
61077339	Ramp 2888 S 6S 2.5K 42W 12L		25 lb	call
61077914	Ramp 2888 S 6S 2.5K 42W 18L		25 lb	call
<b>Ramps Stainless 304 Tread</b>				
61078288	Ramp 2888 S ST 2.5K 24W 12L		25 lb	call
61076668	Ramp 2888 S ST 2.5K 30W 6L		15 lb	call
61076670	Ramp 2888 S ST 2.5K 30W 12L		25 lb	call
61076672	Ramp 2888 S ST 2.5K 30W 18L		25 lb	call
61076596	Ramp 2888 S ST 2.5K 36W 12L		25 lb	call
61076592	Ramp 2888 S ST 2.5K 36W 18L		25 lb	call
61076624	Ramp 2888 S ST 2.5K 42W 12L		25 lb	call
61076620	Ramp 2888 S ST 2.5K 42W 18L		25 lb	call

# Applied Floor Platforms

## 2888 Portable Mild Steel



### Ultra Low-Profile Floor Scale

**Safe, ergonomic, and easy portability**

Ramps effortlessly lift into portable position, eliminating strenuous lifting and dragging for simple relocation of the entire scale.

**Easy Loading**

The scale's design provides an exceptionally low profile, which allows you to move loads on and off the platform quickly, safely, and easily.

**Vertex® Engine ensures best precision**

Self-aligning rocker pin suspension ensures vertical loading, providing accuracy and repeatability unmatched by traditional footed scale designs.

[www.mt.com/FloorScale\\_Deckmate\\_MS\\_Port](http://www.mt.com/FloorScale_Deckmate_MS_Port)



**Scale Interface**

Analog

**Suspension**

Rocker Pin

**Approvals**

- NTEP 5000d, Class III, COC #96-106, Measurement Canada Approval #AM-5176
- Factory Mutual (FM) Hazardous Area Approval

**Accessories**

- Teflon cable
- Stop bars
- Special finishes available on request

Material Number	Material Description	Maximum Capacity	Dimensions (L x W x H)	Material	Ramp 1 Length	Ramp 2 Length	Shipping Weight	List Price (CAD)	
<b>Mild Steel Tread Plate Deck</b>									
61042763	Floor Scale 2888 P MT 0.5K 24X24 0	500 lb / 300 kg	24 in x 24 in x 1.38 in / 610 mm x 610 mm x 35 mm	Mild Steel Painted Tread	4.5 in	4.5 in	325 lb	7,820	
61042809	Floor Scale 2888 P MT 0.5K 24X24 1					12 in	335 lb	8,230	
61046224	Floor Scale 2888 P MT 0.5K 24X24 3				12 in	350 lb	8,410		
61046221	Floor Scale 2888 P MT 0.5K 24X24 2				4.5 in	18 in	360 lb	8,290	
61046226	Floor Scale 2888 P MT 0.5K 24X24 5				18 in		375 lb	8,550	
61042812	Floor Scale 2888 P MT 0.5K 30X30 0		30 in x 30 in x 1.38 in / 762 mm x 762 mm x 35 mm		Mild Steel Painted Tread	4.5 in	4.5 in	360 lb	7,820
61042813	Floor Scale 2888 P MT 0.5K 30X30 1						12 in	370 lb	8,015
61042815	Floor Scale 2888 P MT 0.5K 30X30 3					12 in	390 lb	8,115	
61042814	Floor Scale 2888 P MT 0.5K 30X30 2					4.5 in	18 in	400 lb	8,290
61042817	Floor Scale 2888 P MT 0.5K 30X30 5					18 in		420 lb	8,550
61042824	Floor Scale 2888 P MT 1K 30X30 0	1,000 lb / 600 kg	30 in x 30 in x 1.38 in / 762 mm x 762 mm x 35 mm	Mild Steel Painted Tread	4.5 in	4.5 in	360 lb	7,820	

Material Number	Material Description	Maximum Capacity	Dimensions (L x W x H)	Material	Ramp 1 Length	Ramp 2 Length	Shipping Weight	List Price (CAD)
61042825	Floor Scale 2888 P MT 1K 30X30 1	1,000 lb / 600 kg	30 in x 30 in x 1.38 in / 762 mm x 762 mm x 35 mm	Mild Steel Painted Tread	4.5 in	12 in	370 lb	8,015
61042827	Floor Scale 2888 P MT 1K 30X30 3				12 in		390 lb	8,185
61042826	Floor Scale 2888 P MT 1K 30X30 2				4.5 in	18 in	400 lb	8,080
61042828	Floor Scale 2888 P MT 1K 30X30 4				12 in		410 lb	8,260
61042829	Floor Scale 2888 P MT 1K 30X30 5				18 in		420 lb	8,340
61042838	Floor Scale 2888 P MT 1K 36X36 0		36 in x 36 in x 1.88 in / 914 mm x 914 mm x 48 mm		4.5 in	4.5 in	485 lb	8,560
61042842	Floor Scale 2888 P MT 1K 36X36 1					12 in	500 lb	8,800
61042854	Floor Scale 2888 P MT 1K 36X36 3				18 in	18 in	550 lb	9,045
61042846	Floor Scale 2888 P MT 1K 36X36 2				4.5 in		525 lb	8,850
61042861	Floor Scale 2888 P MT 1K 36X36 5				18 in		585 lb	9,155
61042771	Floor Scale 2888 P MT 1K 42X42 0		42 in x 42 in x 1.88 in / 1,067 mm x 1,067 mm x 48 mm		4.5 in	4.5 in	555 lb	9,960
61042866	Floor Scale 2888 P MT 1K 42X42 1					12 in	580 lb	10,240
61042875	Floor Scale 2888 P MT 1K 42X42 3	12 in		18 in	605 lb	10,550		
61042871	Floor Scale 2888 P MT 1K 42X42 2	4.5 in			630 lb	10,600		
61042884	Floor Scale 2888 P MT 1K 42X42 5	18 in			655 lb	10,680		
61042839	Floor Scale 2888 P MT 2.5K 36X36 0	36 in x 36 in x 1.88 in / 914 mm x 914 mm x 48 mm			4.5 in	4.5 in	485 lb	8,560
61042843	Floor Scale 2888 P MT 2.5K 36X36 1		12 in	500 lb		8,800		
61042855	Floor Scale 2888 P MT 2.5K 36X36 3		12 in	18 in	525 lb	9,045		
61042847	Floor Scale 2888 P MT 2.5K 36X36 2		4.5 in		525 lb	9,100		
61042851	Floor Scale 2888 P MT 2.5K 36X36 5		18 in		585 lb	9,395		
61042864	Floor Scale 2888 P MT 2.5K 42X42 0		42 in x 42 in x 1.88 in / 1,067 mm x 1,067 mm x 48 mm		4.5 in	4.5 in	555 lb	9,960
61042868	Floor Scale 2888 P MT 2.5K 42X42 1	12 in		580 lb		10,240		
61042878	Floor Scale 2888 P MT 2.5K 42X42 3	12 in		18 in	605 lb	10,550		
61042873	Floor Scale 2888 P MT 2.5K 42X42 2	4.5 in			630 lb	10,600		
61042882	Floor Scale 2888 P MT 2.5K 42X42 4	12 in			650 lb	call		
61042886	Floor Scale 2888 P MT 2.5K 42X42 5	18 in			655 lb	10,960		

Material Number	Material Description	Maximum Capacity	Dimensions (L x W x H)	Material	Ramp 1 Length	Ramp 2 Length	Shipping Weight	List Price (CAD)
<b>Mild Steel Smooth Plate Deck</b>								
61042818	Floor Scale 2888 P MS 0.5K 30X30 0	500 lb / 300 kg	30 in x 30 in x 1.38 in / 762 mm x 762 mm x 35 mm	Mild Steel Painted Smooth	4.5 in	4.5 in	360 lb	8,230
61042819	Floor Scale 2888 P MS 0.5K 30X30 1					12 in	370 lb	8,420
61042821	Floor Scale 2888 P MS 0.5K 30X30 3				12 in	390 lb	8,630	
61042820	Floor Scale 2888 P MS 0.5K 30X30 2				4.5 in	400 lb	8,970	
61042823	Floor Scale 2888 P MS 0.5K 30X30 5				18 in	420 lb	9,265	
61042832	Floor Scale 2888 P MS 1K 30X30 0	1,000 lb / 600 kg	36 in x 36 in x 1.88 in / 914 mm x 914 mm x 48 mm		4.5 in	4.5 in	360 lb	8,230
61042833	Floor Scale 2888 P MS 1K 30X30 1				12 in	370 lb	8,420	
61042835	Floor Scale 2888 P MS 1K 30X30 3				12 in	390 lb	8,630	
61042834	Floor Scale 2888 P MS 1K 30X30 2				4.5 in	400 lb	8,970	
61042837	Floor Scale 2888 P MS 1K 30X30 5				18 in	420 lb	9,015	
61042840	Floor Scale 2888 P MS 1K 36X36 0			4.5 in	485 lb	9,015		
61042844	Floor Scale 2888 P MS 1K 36X36 1			12 in	500 lb	9,505		
61042856	Floor Scale 2888 P MS 1K 36X36 3	12 in	525 lb	9,505				
61042848	Floor Scale 2888 P MS 1K 36X36 2	4.5 in	525 lb	9,565				
61042850	Floor Scale 2888 P MS 1K 36X36 5	18 in	585 lb	9,885				
61042862	Floor Scale 2888 P MS 1K 42X42 0	1,000 lb / 600 kg	42 in x 42 in x 1.88 in / 1,067 mm x 1,067 mm x 48 mm	4.5 in	4.5 in	555 lb	10,710	
61042867	Floor Scale 2888 P MS 1K 42X42 1			12 in	580 lb	11,030		
61042877	Floor Scale 2888 P MS 1K 42X42 3			12 in	605 lb	11,350		
61042872	Floor Scale 2888 P MS 1K 42X42 2			4.5 in	630 lb	11,120		
61042881	Floor Scale 2888 P MS 1K 42X42 4			12 in	650 lb	11,430		
61042885	Floor Scale 2888 P MS 1K 42X42 5			18 in	655 lb	11,480		
61042841	Floor Scale 2888 P MS 2.5K 36X36 0			2,500 lb / 1,500 kg	36 in x 36 in x 1.88 in / 914 mm x 914 mm x 48 mm	4.5 in	4.5 in	485 lb
61042845	Floor Scale 2888 P MS 2.5K 36X36 1	12 in	500 lb			9,505		
61042852	Floor Scale 2888 P MS 2.5K 36X36 3	12 in	525 lb			9,765		
61042849	Floor Scale 2888 P MS 2.5K 36X36 5	18 in	585 lb			9,635		
61042853	Floor Scale 2888 P MS 2.5K 36X36 2	4.5 in	525 lb			9,565		
61042865	Floor Scale 2888 P MS 2.5K 42X42 0	42 in x 42 in x 1.88 in / 1,067 mm x 1,067 mm x 48 mm	4.5 in		4.5 in	555 lb	10,710	
61042869	Floor Scale 2888 P MS 2.5K 42X42 1		12 in		580 lb	11,030		
61042879	Floor Scale 2888 P MS 2.5K 42X42 3		12 in		605 lb	11,350		
61042874	Floor Scale 2888 P MS 2.5K 42X42 2		4.5 in		630 lb	11,120		
61042887	Floor Scale 2888 P MS 2.5K 42X42 5		18 in		655 lb	11,480		

## 2888 Portable Mild Steel Accessories

Material Number	Material Description	Order Notes	Shipping Weight	List Price (CAD)
<b>Stop Bars Stainless 304 Smooth</b>				
61042515	Stop Bar PUA579 S SS 2.5K 24W		6 lb	469
61042516	Stop Bar PUA579 S SS 2.5K 30W		7 lb	469
61042517	Stop Bar PUA579 S SS 2.5K 36W		7 lb	560
61042518	Stop Bar PUA579 S SS 2.5K 42W		8 lb	670
61044968	Stop Bar PUA579 S SS 2.5K 48W	Do not use with 48" x 60"	8 lb	755
61045726	Stop Bar PUA579 S SS 5K 48W	Use with all 48" x 60" and any 5K 48W	8 lb	780

**Applied** **Floor Platforms**  
**2888 Portable Stainless**



**Ultra Low-Profile Floor Scale**

**Safe, ergonomic, and easy portability**

Ramps effortlessly lift into portable position, eliminating strenuous lifting and dragging for simple relocation of the entire scale.

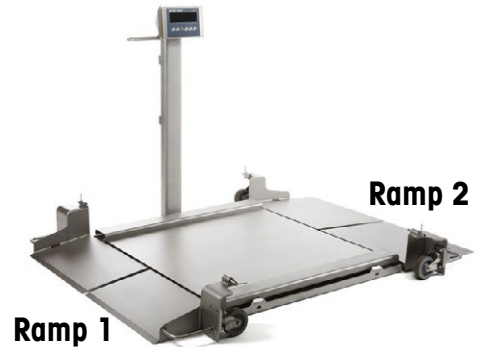
**Easy Loading**

The scale's design provides an exceptionally low profile, which allows you to move loads on and off the platform quickly, safely, and easily.

**Vertex® Engine ensures best precision**

Self-aligning rocker pin suspension ensures vertical loading, providing accuracy and repeatability unmatched by traditional footed scale designs.

[www.mt.com/FloorScale\\_Deckmate\\_SS\\_Port](http://www.mt.com/FloorScale_Deckmate_SS_Port)



**Suspension**

Rocker Pin

**Scale Interface**

Analog

**Approvals**

- NTEP 5000d, Class III, COC #96-106, Measurement Canada Approval #AM-5176
- Factory Mutual (FM) Hazardous Area Approval

**Accessories**

- Teflon cable
- Stop bars
- Special finishes available on request

Material Number	Material Description	Maximum Capacity	Dimensions (L x W x H)	Ramp 1 Length	Ramp 2 Length	Material	Shipping Weight	List Price (CAD)
<b>304 Stainless Steel Smooth Plate</b>								
61042770	Floor Scale 2888 P SS 0.5K 24X24 0	500 lb / 300 kg	24 in x 24 in x 1.38 in / 610 mm x 610 mm x 35 mm	4.5 in	4.5 in	Stainless 304 Smooth	335 lb	11,200
61042765	Floor Scale 2888 P SS 0.5K 24X24 1				12 in		345 lb	11,530
61044208	Floor Scale 2888 P SS 0.5K 24X24 2				18 in		360 lb	11,710
61042766	Floor Scale 2888 P SS 0.5K 24X24 3			12 in	12 in		360 lb	11,930
61045976	Floor Scale 2888 P SS 0.5K 24X24 4			12 in	18 in		375 lb	12,030
61046243	Floor Scale 2888 P SS 0.5K 24X24 5			18 in			385 lb	12,540
61042772	Floor Scale 2888 P SS 0.5K 30X30 0		30 in x 30 in x 1.38 in / 762 mm x 762 mm x 35 mm	4.5 in	4.5 in		370 lb	11,200
61042894	Floor Scale 2888 P SS 0.5K 30X30 1				12 in		380 lb	11,530
61042895	Floor Scale 2888 P SS 0.5K 30X30 2				18 in		390 lb	11,710
61042896	Floor Scale 2888 P SS 0.5K 30X30 3				12 in		12 in	400 lb
61042897	Floor Scale 2888 P SS 0.5K 30X30 4			18 in	18 in		415 lb	12,030
61042898	Floor Scale 2888 P SS 0.5K 30X30 5						430 lb	12,210



Material Number	Material Description	Maximum Capacity	Dimensions (L x W x H)	Ramp 1 Length	Ramp 2 Length	Material	Shipping Weight	List Price (CAD)	
<b>304 Stainless Steel Smooth Plate</b>									
61042910	Floor Scale 2888 P SS 1K 30X30 0	1,000 lb / 600 kg	30 in x 30 in x 1.38 in / 762 mm x 762 mm x 35 mm	4.5 in	4.5 in	Stain-less 304 Smooth	370 lb	11,200	
61042811	Floor Scale 2888 P SS 1K 30X30 1				12 in		380 lb	11,530	
61042911	Floor Scale 2888 P SS 1K 30X30 2				18 in		390 lb	11,710	
61042784	Floor Scale 2888 P SS 1K 30X30 3			12 in	12 in		400 lb	11,930	
61042914	Floor Scale 2888 P SS 1K 30X30 5			18 in	18 in		430 lb	12,210	
61042920	Floor Scale 2888 P SS 1K 36X36 0		36 in x 36 in x 1.88 in / 914 mm x 914 mm x 48 mm	4.5 in	4.5 in		495 lb	14,870	
61042924	Floor Scale 2888 P SS 1K 36X36 1				12 in		505 lb	15,310	
61042929	Floor Scale 2888 P SS 1K 36X36 2				18 in		525 lb	15,420	
61042937	Floor Scale 2888 P SS 1K 36X36 3			12 in	12 in		550 lb	15,750	
61042941	Floor Scale 2888 P SS 1K 36X36 4				18 in		575 lb	15,920	
61042940	Floor Scale 2888 P SS 1K 36X36 5			18 in	600 lb		16,030		
61042946	Floor Scale 2888 P SS 1K 42X42 0			42 in x 42 in x 1.88 in / 1,067 mm x 1,067 mm x 48 mm	4.5 in		4.5 in	565 lb	15,700
61042951	Floor Scale 2888 P SS 1K 42X42 1						12 in	575 lb	16,240
61042957	Floor Scale 2888 P SS 1K 42X42 2						18 in	585 lb	16,370
61042962	Floor Scale 2888 P SS 1K 42X42 3				12 in		12 in	600 lb	16,740
61042968	Floor Scale 2888 P SS 1K 42X42 4	18 in	625 lb			call			
61042972	Floor Scale 2888 P SS 1K 42X42 5	18 in	675 lb		17,030				
61042921	Floor Scale 2888 P SS 2.5K 36X36 0	2,500 lb / 1,500 kg	36 in x 36 in x 1.88 in / 914 mm x 914 mm x 48 mm		4.5 in	4.5 in	495 lb	14,870	
61042925	Floor Scale 2888 P SS 2.5K 36X36 1			12 in		505 lb	15,310		
61042932	Floor Scale 2888 P SS 2.5K 36X36 2			18 in		525 lb	15,420		
61042938	Floor Scale 2888 P SS 2.5K 36X36 3			12 in	12 in	550 lb	15,750		
61042942	Floor Scale 2888 P SS 2.5K 36X36 4				18 in	575 lb	call		
61042830	Floor Scale 2888 P SS 2.5K 36X36 5		18 in	600 lb	16,030				
61042948	Floor Scale 2888 P SS 2.5K 42X42 0		42 in x 42 in x 1.88 in / 1,067 mm x 1,067 mm x 48 mm	4.5 in	4.5 in	565 lb	15,700		
61042954	Floor Scale 2888 P SS 2.5K 42X42 1				12 in	575 lb	16,240		
61042960	Floor Scale 2888 P SS 2.5K 42X42 2				18 in	585 lb	16,370		
61042965	Floor Scale 2888 P SS 2.5K 42X42 3			12 in	12 in	600 lb	16,740		
61042970	Floor Scale 2888 P SS 2.5K 42X42 4				18 in	625 lb	call		
61042974	Floor Scale 2888 P SS 2.5K 42X42 5			18 in	675 lb	17,030			

Material Number	Material Description	Maximum Capacity	Dimensions (L x W x H)	Ramp 1 Length	Ramp 2 Length	Material	Shipping Weight	List Price (CAD)
<b>304 Stainless Steel Tread Plate</b>								
61042999	Floor Scale 2888 P ST 0.5K 24X24 0	500 lb / 300 kg	24 in x 24 in x 1.38 in / 610 mm x 610 mm x 35 mm	4.5 in	4.5 in	Stainless 304 Tread	335 lb	12,500
61046247	Floor Scale 2888 P ST 0.5K 24X24 1			4.5 in	12 in		345 lb	13,550
61046248	Floor Scale 2888 P ST 0.5K 24X24 2			4.5 in	18 in		360 lb	13,710
61044743	Floor Scale 2888 P ST 0.5K 24X24 3			12 in	12 in		360 lb	13,610
61046249	Floor Scale 2888 P ST 0.5K 24X24 5			18 in	18 in		385 lb	14,290
61042888	Floor Scale 2888 P ST 0.5K 30X30 0		30 in x 30 in x 1.38 in / 762 mm x 762 mm x 35 mm	4.5 in	4.5 in		370 lb	12,790
61042889	Floor Scale 2888 P ST 0.5K 30X30 1			4.5 in	12 in		380 lb	13,200
61042890	Floor Scale 2888 P ST 0.5K 30X30 2			12 in	18 in		390 lb	13,710
61042891	Floor Scale 2888 P ST 0.5K 30X30 3			12 in	12 in		400 lb	13,610
61042893	Floor Scale 2888 P ST 0.5K 30X30 5			18 in	18 in		430 lb	14,290
61042903	Floor Scale 2888 P ST 1K 30X30 0	1,000 lb / 600 kg	30 in x 30 in x 1.38 in / 762 mm x 762 mm x 35 mm	4.5 in	4.5 in	370 lb	12,790	
61042905	Floor Scale 2888 P ST 1K 30X30 1			4.5 in	12 in	380 lb	13,200	
61042906	Floor Scale 2888 P ST 1K 30X30 2			12 in	18 in	390 lb	13,370	
61042907	Floor Scale 2888 P ST 1K 30X30 3			12 in	12 in	400 lb	13,610	
61042909	Floor Scale 2888 P ST 1K 30X30 5			18 in	18 in	430 lb	14,290	
61042918	Floor Scale 2888 P ST 1K 36X36 0		36 in x 36 in x 1.88 in / 914 mm x 914 mm x 48 mm	4.5 in	4.5 in	495 lb	17,530	
61042922	Floor Scale 2888 P ST 1K 36X36 1			4.5 in	12 in	505 lb	18,040	
61042927	Floor Scale 2888 P ST 1K 36X36 2			12 in	18 in	525 lb	17,690	
61042934	Floor Scale 2888 P ST 1K 36X36 3			12 in	12 in	550 lb	18,560	
61042944	Floor Scale 2888 P ST 1K 36X36 5			18 in	18 in	600 lb	18,380	
61042863	Floor Scale 2888 P ST 1K 42X42 0	42 in x 42 in x 1.88 in / 1,067 mm x 1,067 mm x 48 mm	4.5 in	4.5 in	565 lb	18,040		
61042950	Floor Scale 2888 P ST 1K 42X42 1		4.5 in	12 in	575 lb	19,130		
61042956	Floor Scale 2888 P ST 1K 42X42 2		12 in	18 in	585 lb	19,300		
61042961	Floor Scale 2888 P ST 1K 42X42 3		12 in	12 in	600 lb	19,250		
61042971	Floor Scale 2888 P ST 1K 42X42 5		18 in	18 in	675 lb	20,050		
61042919	Floor Scale 2888 P ST 2.5K 36X36 0		2,500 lb / 1,500 kg	36 in x 36 in x 1.88 in / 914 mm x 914 mm x 48 mm	4.5 in	4.5 in	495 lb	17,060
61042923	Floor Scale 2888 P ST 2.5K 36X36 1	4.5 in			12 in	505 lb	18,040	

Material Number	Material Description	Maximum Capacity	Dimensions (L x W x H)	Ramp 1 Length	Ramp 2 Length	Material	Shipping Weight	List Price (CAD)
61042928	Floor Scale 2888 P ST 2.5K 36X36 2	2,500 lb / 1,500 kg	36 in x 36 in x 1.88 in / 914 mm x 914 mm x 48 mm	4.5 in	18 in	Stainless 304 Tread	525 lb	18,210
61042935	Floor Scale 2888 P ST 2.5K 36X36 3			12 in	12 in		550 lb	18,560
61042777	Floor Scale 2888 P ST 2.5K 42X42 0		42 in x 42 in x 1.88 in / 1,067 mm x 1,067 mm x 48 mm	4.5 in	4.5 in		565 lb	18,040
61042953	Floor Scale 2888 P ST 2.5K 42X42 1				12 in		575 lb	18,610
61042959	Floor Scale 2888 P ST 2.5K 42X42 2				18 in		585 lb	19,300
61042964	Floor Scale 2888 P ST 2.5K 42X42 3			12 in	12 in		600 lb	19,250
61042973	Floor Scale 2888 P ST 2.5K 42X42 5			18 in	18 in		675 lb	19,530

Material Number	Material Description	Maximum Capacity	Dimensions (L x W x H)	Ramp 1 Length	Ramp 2 Length	Material	Shipping Weight	List Price (CAD)
<b>316 Stainless Steel Smooth Plate Deck</b>								
61043000	Floor Scale 2888 P 6S 0.5K 24X24 0	500 lb / 300 kg	24 in x 24 in x 1.38 in / 610 mm x 610 mm x 35 mm	4.5 in	4.5 in	Stainless 316 Smooth	335 lb	18,430
61043001	Floor Scale 2888 P 6S 0.5K 24X24 1			12 in	350 lb		19,010	
61043002	Floor Scale 2888 P 6S 0.5K 24X24 3				375 lb		19,590	
61042899	Floor Scale 2888 P 6S 0.5K 30X30 0		4.5 in	4.5 in	370 lb		call	
61042900	Floor Scale 2888 P 6S 0.5K 30X30 1				400 lb		19,010	
61042902	Floor Scale 2888 P 6S 0.5K 30X30 3			12 in	12 in		420 lb	19,590
61043878	Floor Scale 2888 P 6S 1K 30X30 0	1,000 lb / 600 kg		30 in x 30 in x 1.38 in / 762 mm x 762 mm x 35 mm	4.5 in	4.5 in	370 lb	18,430
61042915	Floor Scale 2888 P 6S 1K 30X30 1		4.5 in		12 in	400 lb	19,010	
61042783	Floor Scale 2888 P 6S 1K 30X30 2				18 in	410 lb	19,250	
61042785	Floor Scale 2888 P 6S 1K 30X30 3		12 in		12 in	420 lb	19,590	
61042917	Floor Scale 2888 P 6S 1K 30X30 5		18 in	18 in	430 lb	17,920		
61042876	Floor Scale 2888 P 6S 1K 36X36 0		36 in x 36 in x 1.88 in / 914 mm x 914 mm x 48 mm	4.5 in	4.5 in	495 lb	24,430	
61042926	Floor Scale 2888 P 6S 1K 36X36 1				12 in	550 lb	25,170	
61042904	Floor Scale 2888 P 6S 1K 36X36 3			12 in	575 lb	25,930		
61044994	Floor Scale 2888 P 6S 1K 36X36 4	18 in			590 lb	26,160		

Material Number	Material Description	Maximum Capacity	Dimensions (L x W x H)	Ramp 1 Length	Ramp 2 Length	Material	Shipping Weight	List Price (CAD)
61042952	Floor Scale 2888 P 6S 1K 42X42 1	1,000 lb / 600 kg	42 in x 42 in x 1.88 in / 1,067 mm x 1,067 mm x 48 mm	4.5 in	12 in	Stainless 316 Smooth	625 lb	26,680
61042963	Floor Scale 2888 P 6S 1K 42X42 3			12 in			650 lb	call
61042955	Floor Scale 2888 P 6S 2.5K 42X42 1	2,500 lb / 1,500 kg		4.5 in	18 in		625 lb	26,680
61043838	Floor Scale 2888 P 6S 2.5K 42X42 2			18 in			650 lb	26,910
61042966	Floor Scale 2888 P 6S 2.5K 42X42 3			12 in	12 in		650 lb	call

## 2888 Portable Stainless Accessories

Material Number	Material Description	Order Notes	Shipping Weight	List Price (CAD)
<b>Stop Bars Stainless 304 Smooth</b>				
61042515	Stop Bar PUA579 S SS 2.5K 24W		6 lb	469
61042516	Stop Bar PUA579 S SS 2.5K 30W		7 lb	469
61042517	Stop Bar PUA579 S SS 2.5K 36W		7 lb	560
61042518	Stop Bar PUA579 S SS 2.5K 42W		8 lb	670
61044968	Stop Bar PUA579 S SS 2.5K 48W	Do not use with 48" x 60"	8 lb	755
61045726	Stop Bar PUA579 S SS 5K 48W	Use with all 48" x 60" and any 5K 48W	8 lb	780

# Applied Floor Platforms

## PUA669



### Ultra Low-Profile Lift Scale

#### 360-Degree Cleaning

Complete assembly lifts up to provide full cleaning access to all surfaces of the scale and below the mounting area in harsh, washdown environments.

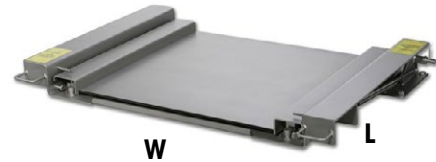
#### Easy, safe ergonomic lifting

Built-in gas springs allow effortless lifting for one person. Locks into upright position for safe cleaning and convenient storage when not in use.

#### Vertex® Engine ensures best precision

Self-aligning rocker pin suspension ensures vertical loading, providing accuracy and repeatability unmatched by traditional footed scale designs.

[www.mt.com/FloorScale\\_PUA679](http://www.mt.com/FloorScale_PUA679)



#### Standard Features

- Safe locking pins engage when lifted
- Rocker Pin Suspension
- Model 745A stainless steel hermetically sealed load cells
- IP69k stainless steel summing junction box
- 25 ft plain end instrument cable
- 1-5/8" height (30"), 2-1/4" height (36", 42", 48"), 2-5/8" (48"x60")
- Glass Bead Blast Finishing = 70-95 Ra Value
- Electropolish Finishing = 70-95 Ra Value
- NTEP 5000d, Class III, COC #96-106 (48x48 & 48x60 not included)
- Measurement Canada, COC #AM-5175 (48x48 & 48x60 not included)
- Factory Mutual (FM) Hazardous Area Approval, ATEX Approval

#### Approvals

#### Accessories

- Stop bars and Ramps
- Common components to 2888 Platform
- 316 SS (call)

#### Scale Interface

Analog

#### Suspension

Rocker Pin

#### Material

Stainless 304 Smooth (mild steel PUA664 available upon request)

Material Number	Material Description	Maximum Capacity	Dimensions (L x W)	Finish	Shipping Weight	List Price (CAD)
<b>304 Stainless Steel Smooth Plate</b>						
61045925	Floor Scale PUA669 L SS 0.5K 30X30	500 lb / 300 kg	30 in x 30 in / 762 mm x 762 mm	Glass Bead Blasted	350 lb	16,070
61045926	Floor Scale PUA669 L SS 0.5K 36X36		36 in x 36 in / 914 mm x 914 mm		400 lb	19,880
61045894	Floor Scale PUA669 L SS 1K 30X30	1,000 lb / 600 kg	30 in x 30 in / 762 mm x 762 mm		350 lb	15,690
61045927	Floor Scale PUA669 L SS 1K 36X36		36 in x 36 in / 914 mm x 914 mm		400 lb	19,880
61045929	Floor Scale PUA669 L SS 1K 42X42		42 in x 42 in / 1,067 mm x 1,067 mm		450 lb	20,850
61044969	Floor Scale PUA669 L SS 1K 48X48		48 in x 48 in / 1,219 mm x 1,219 mm		620 lb	21,900
61044972	Floor Scale PUA669 L SS 1K 48X60		60 in x 48 in / 1,524 mm x 1,219 mm		870 lb	25,120

Material Number	Material Description	Maximum Capacity	Dimensions (L x W)	Finish	Shipping Weight	List Price (CAD)
<b>304 Stainless Steel Smooth Plate</b>						
61045928	Floor Scale PUA669 L SS 2.5K 36X36	2,500 lb / 1,500 kg	36 in x 36 in / 914 mm x 914 mm	Glass Bead Blasted	400 lb	19,880
61045930	Floor Scale PUA669 L SS 2.5K 42X42		42 in x 42 in / 1,067 mm x 1,067 mm		450 lb	20,850
61044970	Floor Scale PUA669 L SS 2.5K 48X48		48 in x 48 in / 1,219 mm x 1,219 mm		620 lb	21,900
61044971	Floor Scale PUA669 L SS 2.5K 48X60		60 in x 48 in / 1,524 mm x 1,219 mm		870 lb	24,430
61045649	Floor Scale PUA669 L SS 5K 48X48	5,000 lb / 3,000 kg	48 in x 48 in / 1,219 mm x 1,219 mm		680 lb	23,450
61044973	Floor Scale PUA669 L SS 5K 48X60		60 in x 48 in / 1,524 mm x 1,219 mm		870 lb	24,430
<b>304 Stainless Steel Electropolish Finish</b>						
61045931	Floor Scale PUA669 L SSE 0.5K 30X30	500 lb / 300 kg	30 in x 30 in / 762 mm x 762 mm	Electro Polish	350 lb	18,040
61045933	Floor Scale PUA669 L SSE 0.5K 36X36		36 in x 36 in / 914 mm x 914 mm		400 lb	21,720
61045932	Floor Scale PUA669 L SSE 1K 30X30	1,000 lb / 600 kg	30 in x 30 in / 762 mm x 762 mm		350 lb	18,040
61045934	Floor Scale PUA669 L SSE 1K 36X36		36 in x 36 in / 914 mm x 914 mm		400 lb	21,720
61045936	Floor Scale PUA669 L SSE 1K 42X42		42 in x 42 in / 1,067 mm x 1,067 mm		450 lb	23,170
61044978	Floor Scale PUA669 L SSE 1K 48X48		48 in x 48 in / 1,219 mm x 1,219 mm		620 lb	24,670
61044976	Floor Scale PUA669 L SSE 1K 48X60		60 in x 48 in / 1,524 mm x 1,219 mm		870 lb	27,430
61045935	Floor Scale PUA669 L SSE 2.5K 36X36		2,500 lb / 1,500 kg		36 in x 36 in / 914 mm x 914 mm	400 lb
61045937	Floor Scale PUA669 L SSE 2.5K 42X42	42 in x 42 in / 1,067 mm x 1,067 mm			450 lb	23,170
61044977	Floor Scale PUA669 L SSE 2.5K 48X48	48 in x 48 in / 1,219 mm x 1,219 mm			620 lb	24,020
61044975	Floor Scale PUA669 L SSE 2.5K 48X60	60 in x 48 in / 1,524 mm x 1,219 mm			870 lb	26,680
61044974	Floor Scale PUA669 L SSE 5K 48X60				870 lb	26,680

Material Number	Material Description	Order Notes	Shipping Weight	List Price (CAD)
<b>Stop Bars Stainless 304 Electropolish</b>				
61042787	Stop Bar PUA579 S SSE 2.5K 24W		6 lb	650
61042788	Stop Bar PUA579 S SSE 2.5K 30W		7 lb	650
61042789	Stop Bar PUA579 S SSE 2.5K 36W		7 lb	755
61042790	Stop Bar PUA579 S SSE 2.5K 42W		8 lb	850
<b>Stop Bars Stainless 304 Smooth</b>				
61042515	Stop Bar PUA579 S SS 2.5K 24W		6 lb	469
61042516	Stop Bar PUA579 S SS 2.5K 30W		7 lb	469
61042517	Stop Bar PUA579 S SS 2.5K 36W		7 lb	560
61042518	Stop Bar PUA579 S SS 2.5K 42W		8 lb	670
61044968	Stop Bar PUA579 S SS 2.5K 48W	Do not use with 48" x 60"	10 lb	755
61045726	Stop Bar PUA579 S SS 5K 48W		10 lb	780
61046599	Stop Bar PUA669 S SS 5K 48W	48"x 60" PUA669 only	10 lb	387
<b>Ramps Stainless 304 Smooth</b>				
61045938	Ramp PUA669 L SS 2.5K 30W 18L		40 lb	1,390
61045941	Ramp PUA669 L SS 2.5K 36W 18L		45 lb	1,505
61045943	Ramp PUA669 L SS 2.5K 42W 18L		55 lb	1,670
61044981	Ramp PUA669 L SS 2.5K 48W 18L	Do not use with 48" x 60"	65 lb	1,785
61044982	Ramp PUA669 L SS 5K 48W 18L		65 lb	1,875
61045895	Ramp PUA669 L SS 2.5K 30W 12L		35 lb	1,305
61045940	Ramp PUA669 L SS 2.5K 36W 12L		40 lb	1,315
61045942	Ramp PUA669 L SS 2.5K 42W 12L		45 lb	1,375
61044980	Ramp PUA669 L SS 2.5K 48W 12L	Do not use with 48" x 60"	55 lb	1,475
61044983	Ramp PUA669 L SS 5K 48W 12L		65 lb	1,575
<b>Ramps Stainless 304 Electropolish</b>				
61045944	Ramp PUA669 L SSE 2.5K 30W 12L		35 lb	2,090
61045945	Ramp PUA669 L SSE 2.5K 30W 18L		40 lb	2,175
61045946	Ramp PUA669 L SSE 2.5K 36W 12L		40 lb	2,035
61045947	Ramp PUA669 L SSE 2.5K 36W 18L		45 lb	2,370
61045948	Ramp PUA669 L SSE 2.5K 42W 12L		45 lb	2,165
61045949	Ramp PUA669 L SSE 2.5K 42W 18L		55 lb	2,450
61044984	Ramp PUA669 L SSE 2.5K 48W 12L		55 lb	2,195
61044985	Ramp PUA669 L SSE 2.5K 48W 18L		65 lb	2,590
61044986	Ramp PUA669 L SSE 5K 48W 12L		65 lb	2,280
61044987	Ramp PUA669 L SSE 5K 48W 18L		65 lb	2,380

# Applied Floor Platforms

## PFA579lift

### Innovative Hygienic Platform

#### Fully Sealed Design for Maximum Cleaning

Gives contaminants nowhere to hide with a fully sealed tubular frame, IP69K junction box, and hermetically sealed load cells for easy washdown.

#### Safe Operation

Built-in, sealed gas springs control lifting/lowering speed so that the platform opens with minimal effort and closes gently.

#### Vertex® Engine ensures best precision

Self-aligning rocker pin suspension ensures vertical loading, providing accuracy and repeatability unmatched by traditional footed scale designs.

[www.mt.com/IND-PFA579lift](http://www.mt.com/IND-PFA579lift)



#### Scale Interface

Analog

#### Standard Features

- Rocker Pin Suspension
- Model 745A stainless steel hermetically sealed 2 mV/V load cells
- IP69K stainless steel summing junction box
- Gas-pressurized lifting struts ease lifting
- Fully sealed tubular frame
- Easy access for cleaning
- 25 ft plain end instrument cable

#### Approvals

- NTEP 5000d, Class III, COC #97-153
- Factory Mutual (FM) Hazardous Area Approval

#### Accessories

- Scale guard frame protectors
- Ramps
- Quick-Pit frames
- Pit liners
- Optional Algrip or Slipnot material

Material Number	Material Description	Maximum Capacity	Dimensions (L x W)	Material	Shipping Weight	List Price (CAD)
<b>Stainless 304 Glass Bead Blasted Smooth</b>						
61095942	Floor Scale PFA579 L SS 1K 48X48	1,000 lb / 600 kg	48 in x 48 in / 1,219 mm x 1,219 mm	Stainless 304 Glass Bead Blasted Smooth	510 lb	15,330
61094726	Floor Scale PFA579 L SS 1K 60X60		60 in x 60 in / 1,524 mm x 1,524 mm		745 lb	17,530
61092958	Floor Scale PFA579 L SS 2.5K 48X48	2,500 lb / 1,500 kg	48 in x 48 in / 1,219 mm x 1,219 mm		510 lb	15,330
61095959	Floor Scale PFA579 L SS 2.5K 60X60		60 in x 60 in / 1,524 mm x 1,524 mm		745 lb	17,530
61092959	Floor Scale PFA579 L SS 5K 48X48	5,000 lb / 3,000 kg	48 in x 48 in / 1,219 mm x 1,219 mm		510 lb	15,330
61095964	Floor Scale PFA579 L SS 5K 60X60		60 in x 60 in / 1,524 mm x 1,524 mm		745 lb	17,530
<b>Stainless 304 Glass Bead Blasted Tread</b>						
61095945	Floor Scale PFA579 L ST 1K 48X48	1,000 lb / 600 kg	48 in x 48 in / 1,219 mm x 1,219 mm	Stainless 304 Glass Bead Blasted Tread	510 lb	15,930
61095957	Floor Scale PFA579 L ST 1K 60X60		60 in x 60 in / 1,524 mm x 1,524 mm		745 lb	18,400
61095949	Floor Scale PFA579 L ST 2.5K 48X48	2,500 lb / 1,500 kg	48 in x 48 in / 1,219 mm x 1,219 mm		510 lb	15,930
61095962	Floor Scale PFA579 L ST 2.5K 60X60		60 in x 60 in / 1,524 mm x 1,524 mm		745 lb	18,400
61095953	Floor Scale PFA579 L ST 5K 48X48	5,000 lb / 3,000 kg	48 in x 48 in / 1,219 mm x 1,219 mm		510 lb	15,930
61095967	Floor Scale PFA579 L ST 5K 60X60		60 in x 60 in / 1,524 mm x 1,524 mm		745 lb	18,400



## PFA579lift Accessories

Material Number	Material Description	Maximum Capacity	Material	Dimensions (LxW)	Drain	Shipping Weight	List Price (CAD)
<b>Pit Liners Stainless 304 Smooth</b>							
61095289	Frame PFA579 L SS 5K 48X48 PL ODRN	5,000 lb	Stainless 304 Glass Bead Blasted Smooth	48 in x 48 in	No Drain	275 lb	7,165
61095290	Frame PFA579 L SS 5K 48X48 PL 2DRN				2 inch Drain		7,165
61095291	Frame PFA579 L SS 5K 48X48 PL 3DRN				3 inch Drain		7,165
61095292	Frame PFA579 L SS 5K 60X60 PL ODRN			60 in x 60 in	No Drain	325 lb	8,690
61095293	Frame PFA579 L SS 5K 60X60 PL 2DRN				2 inch Drain		8,690
61095294	Frame PFA579 L SS 5K 60X60 PL 3DRN				3 inch Drain		8,690
<b>Quick Pit Frames 304 Stainless Steel</b>							
61095318	Frame PFA579 L SS 5K 48X48 QPF	5,000 lb	Stainless 304 Glass Bead Blasted Smooth	48 in x 48 in		250 lb	2,230
61095319	Frame PFA579 L SS 5K 60X60 QPF			60 in x 60 in		300 lb	2,915
<b>Ramps Stainless 304 Smooth</b>							
61095322	Ramp PFA579 L SS 5K 48W 36L	5,000 lb	Stainless 304 Glass Bead Blasted Smooth	36 in x 48 in		270 lb	1,960
30097085	Ramp PFA579 L SS 5K 48W 48L			48 in x 48 in		335 lb	2,230
61095323	Ramp PFA579 L SS 5K 48W 60L			60 in x 48 in		400 lb	2,410
61095324	Ramp PFA579 L SS 5K 60W 36L			36 in x 60 in		320 lb	3,015
30097087	Ramp PFA579 L SS 5K 60W 48L			48 in x 60 in		390 lb	3,335
61095325	Ramp PFA579 L SS 5K 60W 60L			60 in x 60 in		460 lb	3,655
<b>Ramps Stainless 304 Tread</b>							
61095330	Ramp PFA579 L ST 5K 48W 36L	5,000 lb	Stainless 304 Glass Bead Blasted Tread	36 in x 48 in		270 lb	2,505
30097086	Ramp PFA579 L ST 5K 48W 48L			48 in x 48 in		335 lb	3,110
61095331	Ramp PFA579 L ST 5K 48W 60L			60 in x 48 in		400 lb	3,490
61095332	Ramp PFA579 L ST 5K 60W 36L			36 in x 60 in		320 lb	3,585
30099140	Ramp PFA579 L ST 5K 60W 48L			48 in x 60 in		390 lb	3,800
61095333	Ramp PFA579 L ST 5K 60W 60L			60 in x 60 in		460 lb	4,025
<b>Scale Guard Frame Protectors Stainless Steel</b>							
61045455	Guard PFA569 L SS 5K 48L		Stainless 304 Glass Bead Blasted Smooth	48 in x 3.63 in		40 lb	1,025
61045456	Guard PFA569 L SS 5K 60L			60 in x 3.63 in		45 lb	1,165

**Applied**  
**Floor Platforms**  
**2158 EZ-Clean**

**Easy-to-Clean Floor Scale**

**Total Pit Access for Maximum Hygiene**

A pneumatically-operated lifting platform provides full access to the underside of the scale and the pit area for complete washdown and sanitation.

**Hygienic design safeguards your process**

Each and every component features stainless steel construction to provide maximum protection and allows easy cleaning in harsh, washdown environments.

**Vertex® Engine ensures best precision**

Self-aligning rocker pin suspension ensures vertical loading, providing accuracy and repeatability unmatched by traditional footed scale designs.

[www.mt.com/FloorScale\\_EZClean](http://www.mt.com/FloorScale_EZClean)



**NOTE: Must order pit frame or pit liner to complete the scale.**

**Standard Features**

- Stainless steel, smooth plate platform
- Rocker Pin Suspension
- Pneumatic lifting cylinders with self-deploying safety feature
- Model 745A stainless steel hermetically sealed 2mV/V load cells
- IP69K stainless steel summing junction box
- Hinge side is the length (L)
- Glass bead blasted finish- 70-95Ra Value
- Easy access for cleaning
- 25 ft plain end-to-end instrument cable
- 17 in depth (1-5k lb), 18 in depth (10k lb)
- Pit Frame or Pit Liner is needed for installation

**Approvals**

- Factory Mutual (FM) Hazardous Area Approval
- Class III, 5000d, COC #91-097

**Scale Interface**

Analog

**Suspension**

Rocker Pin

**Material**

Stainless 304 Smooth

**Options**

Pneumatic Control box: Panel Enclosure; Wall Enclosure

Material Number	Material Description	Maximum Capacity	Dimensions (L x W)	Shipping Weight	List Price (CAD)
<b>Wall Enclosure</b>					
61038598	Floor Scale 2158 D SS 1K 36X36 H	1,000 lb / 600 kg	36 in x 36 in / 914 mm x 914 mm	250 lb	16,020
61040264	Floor Scale 2158 D SS 1K 48X48 H		48 in x 48 in / 1,219 mm x 1,219 mm	360 lb	17,290
61046030	Floor Scale 2158 D SS 1K 48X60 H		60 in x 48 in / 1,524 mm x 1,219 mm	430 lb	17,630
61040219	Floor Scale 2158 D SS 1K 48X72 H		72 in x 48 in / 1,830 mm x 1,219 mm	500 lb	19,770
61046098	Floor Scale 2158 D SS 1K 60X60 H		60 in x 60 in / 1,524 mm x 1,524 mm	520 lb	20,290
61039873	Floor Scale 2158 D SS 2.5K 36X36 H	2,500 lb / 1,500 kg	36 in x 36 in / 914 mm x 914 mm	250 lb	16,020
61038484	Floor Scale 2158 D SS 2.5K 48X48 H		48 in x 48 in / 1,219 mm x 1,219 mm	360 lb	17,290
61040324	Floor Scale 2158 D SS 2.5K 48X60 H		60 in x 48 in / 1,524 mm x 1,219 mm	430 lb	17,630
61041710	Floor Scale 2158 D SS 2.5K 48X72 H		72 in x 48 in / 1,830 mm x 1,219 mm	500 lb	19,770
61039686	Floor Scale 2158 D SS 2.5K 60X60 H		60 in x 60 in / 1,524 mm x 1,524 mm	520 lb	19,770

Material Number	Material Description	Maximum Capacity	Dimensions (L x W)	Shipping Weight	List Price (CAD)
61041196	Floor Scale 2158 D SS 5K 36X36 H	5,000 lb / 3,000 kg	36 in x 36 in / 914 mm x 914 mm	250 lb	16,020
61038495	Floor Scale 2158 D SS 5K 48X48 H		48 in x 48 in / 1,219 mm x 1,219 mm	360 lb	17,290
61040942	Floor Scale 2158 D SS 5K 48X60 H		60 in x 48 in / 1,524 mm x 1,219 mm	430 lb	17,630
61040388	Floor Scale 2158 D SS 5K 48X72 H		72 in x 48 in / 1,830 mm x 1,219 mm	500 lb	19,770
61041160	Floor Scale 2158 D SS 5K 60X60 H		60 in x 60 in / 1,524 mm x 1,524 mm	520 lb	19,770
61040127	Floor Scale 2158 D SS 5K 60X84 H		84 in x 60 in / 2,134 mm x 1,524 mm	680 lb	23,740
61046095	Floor Scale 2158 D SS 10K 48X48 H	10,000 lb / 6,000 kg	48 in x 48 in / 1,219 mm x 1,219 mm	465 lb	19,590
61044215	Floor Scale 2158 D SS 10K 48X60 H		60 in x 48 in / 1,524 mm x 1,219 mm	565 lb	19,420
61046116	Floor Scale 2158 D SS 10K 48X72 H		72 in x 48 in / 1,830 mm x 1,219 mm	650 lb	20,630
61040931	Floor Scale 2158 D SS 10K 60X60 H		60 in x 60 in / 1,524 mm x 1,524 mm	660 lb	20,630
61043749	Floor Scale 2158 D SS 10K 60X84 H		84 in x 60 in / 2,134 mm x 1,524 mm	900 lb	25,530

**Panel Enclosure**

61041968	Floor Scale 2158 D SS 1K 36X36 P	1,000 lb / 600 kg	36 in x 36 in / 914 mm x 914 mm	250 lb	16,020
61040421	Floor Scale 2158 D SS 1K 48X48 P		48 in x 48 in / 1,219 mm x 1,219 mm	360 lb	17,290
61046119	Floor Scale 2158 D SS 1K 48X60 P		60 in x 48 in / 1,524 mm x 1,219 mm	430 lb	18,290
61046124	Floor Scale 2158 D SS 1K 48X72 P		72 in x 48 in / 1,830 mm x 1,219 mm	500 lb	20,400
61044840	Floor Scale 2158 D SS 1K 60X60 P		60 in x 60 in / 1,524 mm x 1,524 mm	520 lb	19,770
61039382	Floor Scale 2158 D SS 2.5K 36X36 P	2,500 lb / 1,500 kg	36 in x 36 in / 914 mm x 914 mm	250 lb	16,020
61039874	Floor Scale 2158 D SS 2.5K 48X48 P		48 in x 48 in / 1,219 mm x 1,219 mm	360 lb	17,290
61042604	Floor Scale 2158 D SS 2.5K 48X60 P		60 in x 48 in / 1,524 mm x 1,219 mm	430 lb	17,630
61046126	Floor Scale 2158 D SS 2.5K 48X72 P		72 in x 48 in / 1,830 mm x 1,219 mm	500 lb	20,400
61042992	Floor Scale 2158 D SS 2.5K 60X60 P		60 in x 60 in / 1,524 mm x 1,524 mm	520 lb	19,770
61046117	Floor Scale 2158 D SS 5K 36X36 P	5,000 lb / 3,000 kg	36 in x 36 in / 914 mm x 914 mm	250 lb	16,020
61040216	Floor Scale 2158 D SS 5K 48X48 P		48 in x 48 in / 1,219 mm x 1,219 mm	360 lb	17,290
61040717	Floor Scale 2158 D SS 5K 48X60 P		60 in x 48 in / 1,524 mm x 1,219 mm	430 lb	17,630
61046127	Floor Scale 2158 D SS 5K 48X72 P		72 in x 48 in / 1,830 mm x 1,219 mm	500 lb	20,400
61039787	Floor Scale 2158 D SS 5K 60X60 P		60 in x 60 in / 1,524 mm x 1,524 mm	520 lb	19,770
61044174	Floor Scale 2158 D SS 5K 60X84 P		84 in x 60 in / 2,134 mm x 1,524 mm	520 lb	23,910

## Floor Platforms

Material Number	Material Description	Maximum Capacity	Dimensions (L x W)	Shipping Weight	List Price (CAD)
61046118	Floor Scale 2158 D SS 10K 48X48 P	10,000 lb / 6,000 kg	48 in x 48 in / 1,219 mm x 1,219 mm	465 lb	19,650
61046120	Floor Scale 2158 D SS 10K 48X60 P		60 in x 48 in / 1,524 mm x 1,219 mm	565 lb	20,050
61046128	Floor Scale 2158 D SS 10K 48X72 P		72 in x 48 in / 1,830 mm x 1,219 mm	650 lb	21,320
61040777	Floor Scale 2158 D SS 10K 60X60 P		60 in x 60 in / 1,524 mm x 1,524 mm	660 lb	20,630
61046129	Floor Scale 2158 D SS 10K 60X84 P		84 in x 60 in / 2,134 mm x 1,524 mm	900 lb	25,640

## 2158 EZ-Clean Accessories

Material Number	Material Description	Order Notes	Shipping Weight	List Price (CAD)
<b>Quick Pit Frames Stainless Steel</b>				
61038599	Frame 2158 F SS 5K 36X36 QPF		250 lb	8,240
61039233	Frame 2158 F SS 5K 48X48 QPF		270 lb	8,875
61038440	Frame 2158 F SS 5K 48X60 QPF		280 lb	9,070
61040220	Frame 2158 F SS 5K 48X72 QPF		290 lb	10,170
61039287	Frame 2158 F SS 5K 60X60 QPF		290 lb	10,170
61039662	Frame 2158 F SS 5K 60X84 QPF		310 lb	12,220
61046158	Frame 2158 F SS 10K 48X48 QPF		290 lb	10,050
61044216	Frame 2158 F SS 10K 48X60 QPF		300 lb	10,230
61040778	Frame 2158 F SS 10K 60X60 QPF		310 lb	10,620
61042075	Frame 2158 F SS 10K 60X84 QPF		330 lb	12,790
<b>Pit Liners Stainless 304 Smooth</b>				
61039385	Frame 2158 E SS 5K 36X36 PL ODRN	No Drain	300 lb	10,900
61046161	Frame 2158 E SS 5K 36X36 PL 1DRN	1" Drain Hole	300 lb	11,190
61043934	Frame 2158 E SS 5K 36X36 PL 3DRN	3" Drain Hole	300 lb	10,900
61039408	Frame 2158 E SS 5K 48X48 PL ODRN	No Drain	350 lb	13,610
61041654	Frame 2158 E SS 5K 48X48 PL 1DRN	1" Drain Hole	350 lb	13,610
61040725	Frame 2158 E SS 5K 48X48 PL 3DRN	3" Drain Hole	350 lb	13,610
61046843	Frame 2158 E SS 5K 48X60 PL ODRN	No Drain	375 lb	call
61045857	Frame 2158 E SS 5K 48X60 PL 1DRN	1" Drain Hole	375 lb	15,740
61043942	Frame 2158 E SS 5K 48X60 PL 3DRN	3" Drain Hole	375 lb	15,740
61041991	Frame 2158 E SS 5K 48X72 PL ODRN	No Drain	400 lb	16,660
61046167	Frame 2158 E SS 5K 48X72 PL 1DRN	1" Drain Hole	400 lb	17,060
61042255	Frame 2158 E SS 5K 48X72 PL 3DRN	3" Drain Hole	400 lb	16,660
61039687	Frame 2158 E SS 5K 60X60 PL ODRN	No Drain	400 lb	16,660
61041393	Frame 2158 E SS 5K 60X60 PL 1DRN	1" Drain Hole	400 lb	16,660
61046844	Frame 2158 E SS 5K 60X60 PL 3DRN	3" Drain Hole	400 lb	16,660
61046845	Frame 2158 E SS 5K 60X84 PL ODRN	No Drain	500 lb	call
61046170	Frame 2158 E SS 5K 60X84 PL 1DRN	1" Drain Hole	500 lb	24,370
61046048	Frame 2158 E SS 5K 60X84 PL 3DRN	3" Drain Hole	500 lb	23,740

# Applied Floor Platforms

## PFD774 PowerDeck™



### Rugged and Precise

#### Real-Time Operator Guidance

Real time guidance alerts operators to optimal placement of goods on the scale to guarantee repeatability.

#### Rugged and Precise

Tough enough to handle your largest loads, accurate enough to weigh the smallest. New accuracy class (NTEP 10000d), self monitoring load cells continually monitor and compensate for temperature deviations.

#### Visibility Through Diagnostics

The POWERCELL™ network alerts the user if the scale is not working properly in order to correct issues before they affect your measurement.

[www.mt.com/PowerDeck](http://www.mt.com/PowerDeck)

Material Number	Material Description	List Price (CAD)
30405122	Floor Scale PFD774 US07	1

Base model																
P	F	D	7	7	4	Floor Scale PFD774										
Application																
0 Safe Area																
Configuration																
1 Static 1 Platform																
Capacity																
B 300 kg																
C 500 kg																
D 600 kg																
E 1000 kg																
F 1200 kg																
G 1500 kg																
H 2000 kg																
J 3000 kg																
K 5000 kg																
I 6000 kg																
M 10000 kg																
N 12000 kg																
P 500 lb																
Q 1000 lb																
X 2000 lb																
H 2500 lb																
S 5000 lb																
T 10000 lb																
U 20000 lb																
Platform Size																
A 800x800																
C 1250x1250																
U 1250x1500																
B 1500x1500																
L 30x30																
M 36x36																
P 48x48																
Q 48x60																
S 60x60																
I 60x84																
Resolution																
1 3000e (OIML)																
3 6000e (OIML)																
5 10000e (OIML)																
6 5000d (NTEP)																
7 10000 (NTEP)																
A 15000d (Non-Approved)																
F 20000d (Non-Approved)																
F 25000d (Non-Approved)																
B 30000d (Non-Approved)																
Material																
A Mild Steel Pattern Plate																
B Mild Steel Smooth Plate																
Suspension																
6 Frame (Rocker Pin / SS Load Cell)																
Interface / Electronics																
P PowerCell - M12																
Home Run Cable																
3 3m PU - M12 Fitting																
6 10m PU - M12 Fitting																
7 20m PU - M12 Fitting																
8 20m PU - Wired																
Terminal																
0 None																
Standard / NSMT0																
S Standard																
P	F	D	7	7	4	0	1	K	P	7	A	6	P	3	0	5

## PFD774 Configured Options

P	F	D	7	7	4	0	1									6	P			0
---	---	---	---	---	---	---	---	--	--	--	--	--	--	--	--	---	---	--	--	---

Material Description	1	2	3	4	5	Order Notes	List Price (CAD)
<b>1 Capacity</b>							
500 lb	P						0
1000 lb	Q						0
2000 lb	X						0
2500 lb	R						0
5000 lb	S						0
10000 lb	T						700
20000 lb	U						1,000
<b>2 Platform Size</b>							
30 x 30 in		L					4,698
36 x 36 in		M					4,855
48 x 48 in		P					5,016
48 x 60 in		Q					5,158
60 x 60 in		S					5,352
60 x 84 in		T					5,778
<b>3 Resolution</b>							
5000d (NTEP)			6				0
10000d (NTEP)			7				800
15000d (non-NTEP)			A				800
20000 (non-NTEP)			E				800
25000 (non-NTEP)			F				1,200
30000 (non-NTEP)			B				1,200
<b>4 Material</b>							
Mild Steel Pattern Plate				A			0
Mild Steel Smooth Plate				B			0
<b>5 Cable Length (home run)</b>							
3m PU - M12 Fitting					3		47
10m PU - M12 Fitting					6		71
20m PU - M12 Fitting					7		94
20m PU - Bare Wires					8		94

## PFD774 Configured Accessories

Material Number	Material Description	Order Notes	Shipping Weight	List Price (CAD)
<b>Forklift Frames Painted Mild Steel</b>				
61046143	Frame 2158 S MS 5K 36X36 FLF	PowerDeck utilizes 2158 accessories. Use 5k accessories for all scales except 20k capacities.	125 lb	1,110
61045073	Frame 2158 S MS 5K 48X48 FLF		150 lb	1,295
61046144	Frame 2158 S MS 5K 48X60 FLF		200 lb	1,450
61045003	Frame 2158 S MS 5K 60X60 FLF		225 lb	1,660
61046146	Frame 2158 S MS 5K 60X84 FLF		275 lb	1,990
61046148	Frame 2158 S MS 20K 48X48 FLF	PowerDeck utilizes 2158 accessories. Use 20k accessories for all 20k capacities.	200 lb	1,565
61046149	Frame 2158 S MS 20K 48X60 FLF		225 lb	1,760
61045664	Frame 2158 S MS 20K 60X60 FLF		250 lb	1,825
61045138	Frame 2158 S MS 20K 60X84 FLF		300 lb	2,070
<b>Quick Pit Frames Painted Mild Steel</b>				
61044782	Frame 2158 S MS 5K 36X36 QPF	PowerDeck utilizes 2158 accessories. Use 5k accessories for all scales except 20k capacities.	125 lb	810
61044783	Frame 2158 S MS 5K 48X48 QPF		150 lb	860
61044784	Frame 2158 S MS 5K 48X60 QPF		200 lb	975
61044786	Frame 2158 S MS 5K 60X60 QPF		225 lb	1,035
61044787	Frame 2158 S MS 5K 60X84 QPF		250 lb	1,035
61044797	Frame 2158 S MS 20K 48X48 QPF	PowerDeck utilizes 2158 accessories. Use 20k accessories for all 20k capacities.	175 lb	1,035
61044798	Frame 2158 S MS 20K 48X60 QPF		225 lb	1,110
61044800	Frame 2158 S MS 20K 60X60 QPF		250 lb	1,170
61044801	Frame 2158 S MS 20K 60X84 QPF		300 lb	1,400
<b>Ramps Painted Mild Steel Tread</b>				
61006652	Ramp 2158 S MT 5K 36W 36L	PowerDeck utilizes 2158 accessories. Use 5k accessories for all scales except 20k capacities.	200 lb	820
61006653	Ramp 2158 S MT 5K 48W 36L		250 lb	1,075
61006677	Ramp 2158 S MT 5K 48W 60L		360 lb	1,495
61006657	Ramp 2158 S MT 5K 60W 36L		300 lb	1,245
61006679	Ramp 2158 S MT 5K 60W 60L		430 lb	1,760
61006656	Ramp 2158 S MT 20K 48W 36L	PowerDeck utilizes 2158 accessories. Use 20k accessories for all 20k capacities.	270 lb	1,245
61006660	Ramp 2158 S MT 20K 60W 36L		320 lb	1,495
61010022	Ramp 2158 S MT 20K 60W 60L		460 lb	2,230



# Applied Floor Platforms

## PFD779 PowerDeck™

### Rugged and Precise

#### Real-Time Operator Guidance

Real time guidance alerts operators to optimal placement of goods on the scale to guarantee repeatability.

#### Rugged and Precise

Tough enough to handle your largest loads, accurate enough to weigh the smallest. New accuracy class (NTEP 10000d), self monitoring load cells continually monitor and compensate for temperature deviations.

#### Visibility Through Diagnostics

The POWERCELL™ network alerts the user if the scale is not working properly in order to correct issues before they affect your measurement.

[www.mt.com/PowerDeck](http://www.mt.com/PowerDeck)



Material Number	Material Description	List Price (CAD)
30405123	Floor Scale PFD779 US07	1

Base model												
P	F	D	7	7	9	Floor Scale PFD779						
Application												
0 Safe Area												
Configuration												
1 Static 1 Platform												
Capacity												
B 300 kg												
C 500 kg												
D 600 kg												
E 1000 kg												
F 1200 kg												
G 1500 kg												
H 2000 kg												
J 3000 kg												
K 5000 kg												
L 6000 kg												
M 10000 kg												
N 12000 kg												
P 500 lb												
Q 1000 lb												
X 2000 lb												
R 2500 lb												
S 5000 lb												
T 10000 lb												
U 20000 lb												
Platform Size												
A 900x900												
C 1250x1250												
D 1250x1500												
B 1500x1500												
L 30x30												
M 36x36												
P 48x48												
Q 48x60												
S 60x60												
T 60x84												
Resolution												
1 3000e (OIML)												
3 6000e (OIML)												
5 10000e (OIML)												
6 5000d (NTEP)												
7 10000 (NTEP)												
A 15000d (Non-Approved)												
C 20000d (Non-Approved)												
F 25000d (Non-Approved)												
B 30000d (Non-Approved)												
Material												
E 304L Stainless Smooth Plate												
Suspension												
6 Frame (Rocker Pin / S/S Load Cell)												
Interface / Electronics												
P PowerCell - M12												
Home Run Cable												
3 3m PU - M12 Fitting												
6 10m PU - M12 Fitting												
7 20m PU - M12 Fitting												
8 20m PU - Wired												
Terminal												
0 None												
Standard / NSMTO												
S Standard												
P	F	D	7	7	9	0	1	E	6	P	0	S

## PFD779 Configured Options

P	F	D	7	7	9	0	1				E	6	P		0	S
---	---	---	---	---	---	---	---	--	--	--	---	---	---	--	---	---

Material Description	1	2	3	4	Order Notes	List Price (CAD)
<b>1 Capacity</b>						
500 lb	P					0
1000 lb	Q					0
2000 lb	X					0
2500 lb	R					0
5000 lb	S					0
10000 lb	T					1,300
20000 lb	U					2,011
<b>2 Platform Size</b>						
30 x 30 in		L				9,345
36 x 36 in		M				9,385
48 x 48 in		P				10,780
48 x 60 in		Q				11,400
60 x 60 in		S				12,590
60 x 84 in		T				16,720
<b>3 Resolution</b>						
5000d (NTEP)			6			0
10000d (NTEP)			7			800
15000d (non-NTEP)			A			800
20000 (non-NTEP)			E			800
25000 (non-NTEP)			F			1,200
30000 (non-NTEP)			B			1,200
<b>4 Cable Length (home run)</b>						
3m PU - M12 Fitting				3		42
10m PU - M12 Fitting				6		71
20m PU - M12 Fitting				7		94
20m PU - Bare Wires				8	For Connection to IND780	94

## PFD779 Configured Accessories

Material Number	Material Description	Order Notes	Shipping Weight	List Price (CAD)
<b>Forklift Frames Painted Mild Steel</b>				
61046151	Frame 2158 S SS 5K 36X36 FLF	PowerDeck utilizes 2158 accessories. Use 5k accessories for all scales except 20k capacities.	125 lb	2,840
61045020	Frame 2158 S SS 5K 48X48 FLF		150 lb	3,025
61045611	Frame 2158 S SS 5K 48X60 FLF		200 lb	3,410
61045069	Frame 2158 S SS 5K 60X60 FLF		225 lb	3,790
61046153	Frame 2158 S SS 5K 60X84 FLF		275 lb	6,100
<b>Quick Pit Frames 304 Stainless Smooth</b>				
61044803	Frame 2158 S SS 5K 36X36 QPF	PowerDeck utilizes 2158 accessories. Use 5k accessories for all scales except 20k capacities.	125 lb	1,835
61044804	Frame 2158 S SS 5K 48X48 QPF		150 lb	2,375
61044805	Frame 2158 S SS 5K 48X60 QPF		200 lb	2,280
61044807	Frame 2158 S SS 5K 60X60 QPF		225 lb	2,415
61044808	Frame 2158 S SS 5K 60X84 QPF		250 lb	3,770
61044818	Frame 2158 S SS 20K 48X48 QPF	PowerDeck utilizes 2158 accessories. Use 20k accessories for all 20k capacities.	175 lb	2,995
61044819	Frame 2158 S SS 20K 48X60 QPF		225 lb	2,230
61044821	Frame 2158 S SS 20K 60X60 QPF		250 lb	2,350
61044822	Frame 2158 S SS 20K 60X84 QPF		300 lb	2,570
<b>Ramps 304 Stainless Smooth</b>				
61006672	Ramp 2158 S SS 5K 36W 36L	PowerDeck utilizes 2158 accessories. Use 5k accessories for all scales except 20k capacities.	200 lb	1,915
61006673	Ramp 2158 S SS 5K 48W 36L		250 lb	2,465
69032536	Ramp 2158 S SS 5K 48W 60L		360 lb	3,730
61006675	Ramp 2158 S SS 5K 60W 36L		300 lb	3,275
61023968	Ramp 2158 S SS 5K 60W 60L		430 lb	4,445
61010018	Ramp 2158 S SS 20K 48W 36L	PowerDeck utilizes 2158 accessories. Use 20k accessories for all 20k capacities.	270 lb	2,870
61010021	Ramp 2158 S SS 20K 48W 60L		400 lb	4,360
61010017	Ramp 2158 S SS 20K 60W 36L		320 lb	3,645
61010019	Ramp 2158 S SS 20K 60W 60L		460 lb	4,690

**Applied**  
**Floor Platforms**  
**MG4500 Liftmate™**



**Weigh the most demanding loads**

**Rugged, Heavy-Duty Floor Scale**

The MG4500 is designed for heavy duty applications, ideal for weighing steel coils and heavy freight with high load concentrations.

**Flexible & Easy Installation**

Integrated frame allows for pit or above ground installation with no additional accessories required.

**Patented Centerlign™ Suspension**

The unique load cell rocker pin and slider cup automatically centers the platform, providing consistent accuracy.

[www.mt.com/FloorScale\\_MG4500](http://www.mt.com/FloorScale_MG4500)

- Scale Interface** Analog
- Suspension** Rocker Pin and Slider Cup; Centerlign Suspension
- Material** Painted Smooth
- Standard Features**
  - Pit or surface mount
  - Model 743 hermetically sealed stainless steel 2mV/V load cells
  - Mild steel, smooth plate platform with integrated outer frame
  - IP69K stainless steel summing junction box
  - 25 ft. of instrumentCable
  - Height: 8-3/8 in (40k), 10-3/4 in (60k)
  - Four (4) lifting eye bolts included
- Approvals**
  - NTEP Class III, COC #89-103
  - Factory Mutual (FM) Hazardous Area Approval
- Accessories**
  - Coil Cradle (60,000 lb)

Material Number	Material Description	Maximum Capacity	Dimensions (L x W)	Shipping Weight	List Price (CAD)
61006784	Floor Scale MG4500 S MS 40K 60X60	40,000 lb / 20,000 kg	60 in x 60 in / 1,524 mm x 1,524 mm	1,400 lb	21,320
61006786	Floor Scale MG4500 S MS 40K 60X84		84 in x 60 in / 2,134 mm x 1,524 mm	1,800 lb	22,930
61006789	Floor Scale MG4500 S MS 40K 72X72		72 in x 72 in / 1,830 mm x 1,830 mm	1,900 lb	22,930
61006791	Floor Scale MG4500 S MS 40K 72X96		96 in x 72 in / 2,440 mm x 1,830 mm	2,400 lb	24,370
61006794	Floor Scale MG4500 S MS 40K 84X108		108 in x 84 in / 2,743 mm x 2,134 mm	2,800 lb	26,040
61006795	Floor Scale MG4500 S MS 40K 96X120		120 in x 96 in / 3,048 mm x 2,440 mm	3,250 lb	27,720
61006785	Floor Scale MG4500 S MS 60K 60X60		60,000 lb / 30,000 kg	60 in x 60 in / 1,524 mm x 1,524 mm	2,390 lb
61006787	Floor Scale MG4500 S MS 60K 60X84	84 in x 60 in / 2,134 mm x 1,524 mm		3,065 lb	27,820
61006788	Floor Scale MG4500 S MS 60K 60X96	96 in x 60 in / 2,440 mm x 1,524 mm		3,365 lb	29,430
61006790	Floor Scale MG4500 S MS 60K 72X72	72 in x 72 in / 1,830 mm x 1,830 mm		2,925 lb	28,170
61006792	Floor Scale MG4500 S MS 60K 72X96	96 in x 72 in / 2,440 mm x 1,830 mm		3,755 lb	34,160
61006793	Floor Scale MG4500 S MS 60K 84X84	84 in x 84 in / 2,134 mm x 2,134 mm		3,790 lb	34,280
61006796	Floor Scale MG4500 S MS 60K 96X96	96 in x 96 in / 2,440 mm x 2,440 mm		4,545 lb	37,790

## MG4500 Liftmate™ Accessories

Material Number	Material Description	Order Notes	Shipping Weight	List Price (CAD)
<b>MG4500 Steel Coil Cradles Rubber Belted</b>				
61006633	Cradle MG4500 60K 60X60		521 lb	3,595
61006634	Cradle MG4500 60K 60X84		759 lb	4,340
61006635	Cradle MG4500 60K 60X96		762 lb	4,470
61006636	Cradle MG4500 60K 72X72		1,026 lb	4,340
61006637	Cradle MG4500 60K 72X96		1,135 lb	4,580
61006638	Cradle MG4500 60K 84X84		1,032 lb	4,580
61006639	Cradle MG4500 60K 96X96		1,449 lb	4,930
<b>Miscellaneous</b>				
61006648	2158 HL PLUG .75-10 MS	Lifting Eye Bolts Hole plug (four (4) required per MG4500)	1 lb	15

# General Accessories for Floor Scales

**2158 Scale Guard Frame Protectors (for custom lengths [e.g. 32 in] round up to nearest foot to determine pricing.)**

Material Number	Protector Construction Material	Protector Length	Protector Height	Shipping Weight	List Price (CAD)
61075113	Mild Steel	3 ft	3 in (500 - 10k)	40 lb	219
61075114		4 ft		45 lb	224
61075115		5 ft		50 lb	249
61075116		6 ft		55 lb	326
61075117		7 ft		60 lb	387
61075127		4 ft	4 in (20k)	45 lb	270
61075128		5 ft		50 lb	319
61075129		6 ft		55 lb	call
61075130		7 ft		60 lb	505
61075119		Stainless Steel	3 ft	3 in (500 - 10k)	40 lb
61075120	4 ft		45 lb		615
61075124	5 ft		50 lb		745
61075125	6 ft		55 lb		call
61075126	7 ft		60 lb		985
61075131	4 ft		4 in (20k)	45 lb	640
61075132	5 ft			50 lb	875
61075133	6 ft			55 lb	call
61075134	7 ft			60 lb	call

Scale Guard Frame Protectors act as a curb to furnish additional scale protection from forklift damage. The scale guards anchor to the floor with optional anchor bolts. Use 3 in for 2158 Vertex scale bases up to 10k, and 4 in for 20k.

**2256 Scale Guard Frame Protectors (for custom lengths [e.g. 32 in] round up to nearest foot to determine pricing.)**

Material Number	Protector Construction Material	Protector Length	Protector Height	Shipping Weight	List Price (CAD)
61042489	Mild Steel	3 ft	3.44 in	40 lb	228
61042353		4 ft		45 lb	273
61042565		5 ft		50 lb	331
61046171	Stainless Steel	3 ft	3.44 in	45 lb	560
61044117		4 ft		50 lb	680
61043957		5 ft		55 lb	940

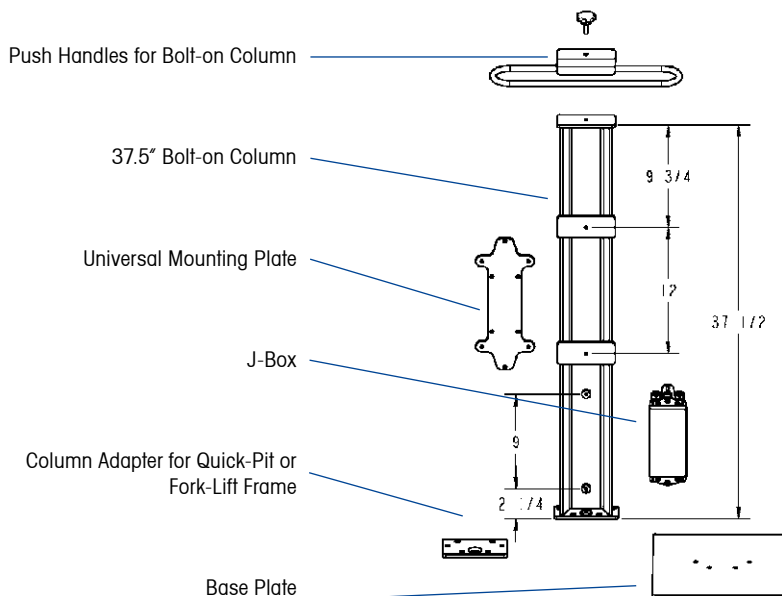
Scale Guard Frame Protectors act as a curb to furnish additional scale protection from forklift damage. The 2256 scale guards act as a locator plate for the feet and anchor to the floor. Can only use 2 guards located on opposite sides

NOTE: For adjacent sides, purchase 2158 scale guard with 3' height

**Columns, Floor Stands and Accessories**

Material Number	Description	Construction	Shipping Weight	List Price (CAD)
61042797	37.5" Bolt-on Column	Mild Steel	25 lb	415
61042798		Stainless Steel	25 lb	560
61042799	Base Plate for Stand Alone Column (use 61042797)	Mild Steel	18 lb	182
61042800	Base Plate for Stand Alone Column (use 61042798)	Stainless Steel	18 lb	439
61042801	Column Adapter for QP or Fork-Lift Frame (use 61042797)	Mild Steel	2 lb	80
61042802	Column Adapter for QP or Fork-Lift Frame (use 61042798)	Stainless Steel	2 lb	136
61042803	Push Handles for Bolt-on Column	Mild Steel	4 lb	190
61042804		Stainless Steel	4 lb	212
61042805	Universal Shelf Bracket	Mild Steel	15 lb	457
61042806		Stainless Steel	15 lb	940
61042807	Universal Mounting Plate *	Stainless Steel	8 lb	162
69035872	Foot Locating Plates (2) footed scales (Not for PFA261)	Stainless Steel	5 lb	203

Note: Refer to Instrumentation section for specific terminal brackets and wall mounts.  
 \* For use with the IND226x and Puma external batteries



**Coming Soon: New factory test certificates**

Material Number	Description	List Price (CAD)
	<b>Accuracy Calibration Certificate- Minimum Weight with 1% process tolerance</b> Calibration procedures based on EURAMET cg-18. Calculates Measurement Uncertainty and assigns a minimum weight based on a 1% process tolerance.	Coming Soon
	<b>Accuracy Calibration Certificate- Absolute Uncertainty</b> Calibration procedures based on EURAMET cg-18. Calculates an Measurement Uncertainty. The customer can then use this value to set their own minimum weight.	Coming Soon

## Hardware

Material Number	Description	Shipping Weight	List Price (CAD)
61006846	Floor Scale Installation Kit <ul style="list-style-type: none"> <li>• 4-1/16" Stainless Steel corner shims</li> <li>• 2 Lifting Eye Bolts</li> <li>• 8-1/2" Floor Bolt Anchor Inserts</li> </ul>	7 lb	134
61010444	2888 Static Scale Installation Kit - (4) 1/16" shims, (8) 1/2" anchors	7 lb	131
61072856	Lifting Eye Bolt (each), two required per standard scale platform	1 lb	19
61006648	Lifting Eye Bolt plug, mild steel (1 plug)	1 lb	15
61072652	Lifting Eye Bolt plug, stainless steel (1 plug)	1 lb	33
61006650	Bulk Shim Kit (25-1/16" stainless steel corner shims)	19 lb	700
61006651	Bulk Floor Anchor Kit (25-1/2" anchor inserts), eight required per standard scale platform	3 lb	90

## Stop Bars (2888S/P, PUA574/579, PUA669; Stop bars have brackets that clamp onto the top of the rails at the back of the scale)

Material Number	Material	Size	Capacity	Finish	Shipping Weight	List Price (CAD)
61042515	Type 304 Stainless Steel	24" Width	500 - 2,500	Glass Bead Finish	6 lb	469
61042516		30" Width			7 lb	469
61042517		36" Width			7 lb	560
61042518		42" Width			8 lb	670
61044968		48" Width *			8 lb	755
61045726		48" Width (for 48"x 60" & 48" W 5,000lb)	5,000		8 lb	780
61042787	Type 304 Stainless Steel	24" Width	500 - 2,500	E-Polish Finish	6 lb	650
61042788		30" Width			7 lb	650
61042789		36" Width			7 lb	750
61042790		42" Width			8 lb	850
61044988		48" Width *			8 lb	940

\*Not for use with 48" x 60" or 5,000lb capacity Scales

## Polyurethane Cables - additional length integrated loadcell cable (price adder per load cell)

Material Number	Legacy Reference Number	Load Cell Capacity	Initial Cable Length	Added Cable Length	Total Cable Length	List Price (CAD)
*	Engineer to order	250-5000 lb	7.5 ft	7.5 ft	15 ft	Call
*	Engineer to order			22.5 ft	30 ft	Call
*	Engineer to order		15 ft	15 ft	30 ft	Call
*	Engineer to order			30 ft	45 ft	Call
*	Engineer to order			45 ft	60 ft	Call
*	Engineer to order		30 ft	15 ft	45 ft	Call
*	Engineer to order			30 ft	60 ft	Call

\* Custom - Order Numbers will be assigned after placement of order



**PTFE (Teflon) Cables - integrated loadcell cable - price adder per load cell (for 745A and RLC load cells only)**

Material Number	Legacy Reference Number	Load Cell Capacity	Total Cable Length	List Price (CAD)
*	Engineer to order	250 - 5000 lb	15 ft	Call
*	Engineer to order		30 ft	Call
*	Engineer to order		45 ft	Call
*	Engineer to order		60 ft	Call
*	Engineer to order	10,000 lb	30 ft	Call
*	Engineer to order		45 ft	Call
*	Engineer to order		60 ft	Call

\* Custom - Order Numbers will be assigned after placement of order

**Home Run Cables - 6 conductors, single shield**

Material Number	Description	List Price (CAD)
30127500	Cable 24GA 6Cond .245OD Shield Polyurethane - 25' Feet	37
30127510	Cable 24GA 6Cond .245OD Shield Polyurethane - 50' Feet	64
61006640	CABLE 6-COND 20GA SHIELD POLY (per foot)	9

# Engineer to Order Floor Scales

## VLC Commercial Duty Floor Scale

### Commercial Custom/Specialty Floor Scale

#### Loadcell

Model 745A stainless steel 2 mV/V load cells  
Hermetically Sealed  
Rocker pin foot  
IP69K Stainless Steel Junction Box  
Opt. threaded ball in cup foot

#### Capacity

500/1000/2500/5000/10,000 lb  
300/600/1500/3000/6000 kg

#### Steel

Standard:

- MT - Mild Steel Tread Plate
- SS - Stainless Steel Smooth Plate

Optional:

- MS - Mild Steel Smooth Plate
- ST - Stainless Steel Tread Plate
- 316 Stainless Steel Smooth Plate

Finish:

- MS/MT: 2-part Epoxy
- SS/ST: Glass Bead Blasted
- Special polished finishes (optional)
- ALGRIP™, SlipNOT®



#### Dimensions

Min Width: 10 in (254 mm)  
Max Width: 6 ft (1829 mm)  
Max Length: 8 ft (2438 mm)

#### Approvals

NTEP COC #95-111 (2x2 to 6x8)  
H44 5000d ambient in approved size/capacity  
Canadian WM AM-5160

#### Cable

25 ft plain end instrument cable included

#### Custom Options

Tote (IBC) Applications  
Top Access Plates  
Quick-Pit Frames  
Forklift Frames  
Portability Frames  
Side Rails  
Scale Guard Frame Protectors  
Remote junction box

Special mounting: blocks, plates, treaded holes, studs, deck holes

Thicker deck plate  
High temp load cells  
Stop bars  
Side rails  
PTFE-cabled load cells

Contact Application Support for assistance.  
[ind-customquote-requests@mt.com](mailto:ind-customquote-requests@mt.com)

\*These are non-standard custom/specialty products and cannot be returned for credit.

# Engineer to Order Floor Scales

## Vertex<sup>®</sup> Extreme Duty Floor Scale

### Applied Custom/Specialty Floor Scale

#### Load Cell

VERTEX<sup>®</sup> engine  
 Model 745A stainless steel 2 mV/V load cells  
 Hermetically sealed  
 Rocker pin suspension  
 IP69K stainless steel junction box

#### Capacity

500/1000/2500/5000/10,000/20,000 lb  
 300/600/1500/3000/6000/10,000 kg

#### Steel

Standard:

MT - Mild Steel Tread Plate  
 SS - Stainless Steel Smooth Plate

Optional:

MS - Mild Steel Smooth Plate  
 ST - Stainless Steel Tread Plate  
 316 Stainless Steel Smooth Plate

Finish:

MS/MT: 2-part Epoxy  
 SS/ST: Glass Bead Blasted  
 Special polished finishes (optional)  
 ALGRIP<sup>™</sup>, SlipNOT<sup>®</sup>

#### Dimensions

Min Width: 10 in (254 mm)  
 Max Width: 8 ft (1829 mm)  
 Max Length: 10 ft (2438 mm)

#### Approvals

NTEP COC #91-097 (2x2 to 8x10)  
 H44 5000d ambient in approved size/capacity  
 Candian WM AM-4723

#### Cable

25 ft plain end instrument cable included

#### Custom Options

Tote (IBC) Applications

Top Access Plates

Quick-Pit Frames

Forklift Frames

Portability Frames

Side Rails

Scale Guard Frame Protectors

Remote junction box

Special mounting: blocks, plates, treaded holes, studs, deck holes

Thicker deck plate

High temp load cells

Stop bars

Side rails

PTFE-cabled load cells



Contact Application Support for assistance.  
[ind-customquote-requests@mt.com](mailto:ind-customquote-requests@mt.com)

\*These are non-standard custom/specialty products and cannot be returned for credit.

# Applied Floor Platforms

## PFK988 Configured

### Unprecedented Accuracy

#### High Precision Weighing

The outstanding metrology is a result of the load cell with integrated Monobloc technology and of a high precision mechanical design.

#### Reliable In Harsh Conditions

The robust design of the platform body ensures reliable measurements at the highest precision.

#### Fast Weighing Processes

Industry-leading stabilization time and up to 92 updates per second make the platform suitable for high-speed weighing processes.

[www.mt.com/pfk9](http://www.mt.com/pfk9)



Material Number	Material Description	List Price (CAD)
30214735	High Precision Platform PFK988	10,090

Base Model											
P	F	K	9	8	8	0	PFK988				
Application											
-	-	-	-	-	-	-	0	Safe area			
Capacity											
-	-	-	-	-	-	-	B	300 kg			
-	-	-	-	-	-	-	C	600 kg			
-	-	-	-	-	-	-	D	1500 kg			
-	-	-	-	-	-	-	E	3000 kg			
Platform size											
-	-	-	-	-	-	-	J	C, 800x1000mm			
-	-	-	-	-	-	-	L	D, 1250x1000mm			
-	-	-	-	-	-	-	M	E, 1500x1250mm			
-	-	-	-	-	-	-	N	ES, 1500x1500mm			
IP Protection											
-	-	-	-	-	-	-	3	IP66/68			
Resolution											
-	-	-	-	-	-	-	B	3x10.000e MI / class III			
-	-	-	-	-	-	-	6	6.000e/7.500e class II			
-	-	-	-	-	-	-	P	12.000e/15.000e class II			
-	-	-	-	-	-	-	H	60.000d/75.000d non-approved			
-	-	-	-	-	-	-	R	300.000d non-approved			
-	-	-	-	-	-	-	M	600.000d/750.000d non-approved			
Scale interface											
-	-	-	-	-	-	-	2	0	SICS-Pro (RS422)		
Material Load Plate											
-	-	-	-	-	-	-	0	no load plate			
-	-	-	-	-	-	-	3	mild steel, galvanized smooth			
-	-	-	-	-	-	-	4	mild steel, galvanized pattern			
-	-	-	-	-	-	-	6	stainless steel AISI304, smooth, Ra < 5 µm			
-	-	-	-	-	-	-	7	stainless steel AISI304, pattern			
Cable length											
-	-	-	-	-	-	-	2	2,5m			
-	-	-	-	-	-	-	3	5m			
-	-	-	-	-	-	-	4	10m			
-	-	-	-	-	-	-	5	20m			
Others 1											
-	-	-	-	-	-	-	0	no			
-	-	-	-	-	-	-	B	Test certificate			
ETO											
-	-	-	-	-	-	-	0	no ETO			
-	-	-	-	-	-	-	E	ETO			
P	F	K	9	8	8	0	0	3	2	0	0

## PFK988 Configured Options

P	F	K	9	8	8	0	0			3		2	0			0		
Material Description							1	2	3	4	5	6	Order Notes	List Price (CAD)				
<b>1 Base Model</b>																		
Model PFK988-C300							B	J									0	
Model PFK988-C600							C	J									670	
Model PFK988-D1500							D	L									3,505	
Model PFK988-D600							C	L									2,580	
Model PFK988-E1500							D	M									6,090	
Model PFK988-E3000							B	M									7,930	
Model PFK988-ES1500							D	N									6,810	
Model PFK988-ES3000							E	N									8,595	
<b>3 Resolution</b>																		
Resolution 1x12000/15000e SR class II									P								1,345	
Resolution 1x300.000d SR non-approved									R								1,345	
Resolution 1x6000/7500e SR class II									6								0	
Resolution 1x60000/75000d SR not appr.									H								0	
Resolution 1x600000/750000d SR not app									M								1,345	
<b>5 Material Load Plate</b>																		
Load pl. C AISI304 smooth										6							850	
Load pl. C galvanized smooth										3							0	
Load pl. D AISI304 pattern										7							2,915	
Load pl. D AISI304 smooth										6							1,575	
Load pl. D galvanized pattern										4							1,795	
Load pl. D galvanized smooth										3							1,120	
Load pl. E AISI304 pattern										7							call	
Load pl. E AISI304 smooth										6							call	
Load pl. E galvanized pattern										4							call	
Load pl. E galvanized smooth										3							call	
Load pl. ES AISI304 pattern										7							call	
Load pl. ES AISI304 smooth										6							call	
Load pl. ES galvanized pattern										4							call	
Load pl. ES galvanized smooth										3							call	
<b>6 Cable Length (home run)</b>																		
Cable length 2,5m											2						0	
Cable length 5m											3						123	
Cable length 10m											4						call	
Cable length 20m											5						call	
<b>7 Test Certificate</b>																		
None												0					0	
Test certificate												B						235

## PFK988 Configured Accessories

Material Number	Material Description	Order Notes	List Price (CAD)
<b>Interface Kits</b>			
22026963	ACC409xx IDNet (Cable Adapter)		323
<b>Quick Pit Frames</b>			
30242214	Quick Pit Model C Galvanized	930 x 1210 mm	2.520
30242215	Quick Pit Model C Stainless Steel	930 x 1210 mm	3.135
30242216	Quick Pit Model D Galvanized	1130 x 1380 mm	2.710
30242217	Quick Pit Model D Stainless Steel	1130 x 1380 mm	3.275
30242218	Quick Pit Model E Galvanized	1390 x 1640 mm	2.940
30242219	Quick Pit Model E Stainless Steel	1390 x 1640 mm	3.445
30242220	Quick Pit Model ES Galvanized	1640 x 1640 mm	3.100
30242221	Quick Pit Model ES Stainless Steel	1500 x 1500 mm	3.990
<b>Ramps Hot Galvanized</b>			
503638	Ramp KC/KCS/DC/DCS/g pattern (tread)	1000 x 800 mm, hot galvanized	1,680
<b>Ramps Stainless Steel</b>			
599198	Ramp KC/KCS/DC/DCS stainless		4,230
599204	Ramp KC/KCS/DC/DCS stainless (tread)		3,820
<b>Extension Cables</b>			
30242223	Cable M12 RS422 SICSpr0 12P/6P 2,5m	Safe Area SICSpr0 Extension Cable 2.5m	225
30242224	Cable M12 RS422 SICSpr0 12P/6P 5m	Safe Area SICSpr0 Extension Cable 5m	219
30242226	Cable M12 RS422 SICSpr0 12P/6P 10m	Safe Area SICSpr0 Extension Cable 10m	call
30242225	Cable M12 RS422 SICSpr0 12P/6P 20m	Safe Area SICSpr0 Extension Cable 20m	call
30242227	Cable M12 RS422 SICSpr0 12P/6P 100m	Safe Area SICSpr0 Extension Cable 100m	call



## PFK989 Configured Options

P	F	K	9	8	9	0	0			3		2	0			0	
Material Description							1	2	3	4	5	6	Order Notes	List Price (CAD)			
<b>1 Base Model</b>																	
Model PFK989-C300							B	J									0
Model PFK989-C600							C	J									630
Model PFK989-D1500							D	L									4,895
Model PFK989-D600							C	L									4,895
Model PFK989-E1500							D	M									7,465
Model PFK989-E3000							E	M									8,100
Model PFK989-ES1500							D	N									9,555
Model PFK989-ES3000							E	N									10,080
<b>3 Resolution</b>																	
Resolution 1x12000/15000e SR class II									P								1,345
Resolution 1x300.000d SR non-approved									R								1,345
Resolution 1x6000/7500e SR class II									6								0
Resolution 1x60000/75000d SR not appr.									H								0
Resolution 1x600000/750000d SR not app									M								1,345
<b>5 Material Load Plate</b>																	
Load pl. C AISI304 smooth										6							850
Load pl. D AISI304 pattern										7							2,915
Load pl. D AISI304 pattern raisable										E							6,090
Load pl. D AISI304 Ra0,8										5							2,470
Load pl. D AISI304 Ra0,8 raisable										D							5,645
Load pl. D AISI304 smooth										6							1,575
Load pl. D AISI304 smooth raisable										C							4,755
Load pl. E AISI304 pattern										7							5,495
Load pl. E AISI304 pattern raisable										E							7,930
Load pl. E AISI304 Ra0,8										5							5,045
Load pl. E AISI304 Ra0,8 raisable										D							7,485
Load pl. E AISI304 smooth										6							3,260
Load pl. E AISI304 smooth raisable										C							5,695
Load pl. ES AISI304 pattern										7							6,930
Load pl. ES AISI304 pattern raisable										E							7,995
Load pl. ES AISI304 Ra0,8										5							6,480
Load pl. ES AISI304 Ra0,8 raisable										D							8,660
Load pl. ES AISI304 smooth										6							4,380
Load pl. ES AISI304 smooth raisable										C							6,650
<b>6 Cable Length (home run)</b>																	
Cable length 2,5m											2						0
Cable length 5m											3						118
Cable length 10m											4						236
Cable length 20m											5						465
<b>7 Test certificate</b>																	
None												0					0
Test certificate												B					227



## PFK989 Configured Accessories

Material Number	Material Description	Order Notes	List Price (CAD)
<b>Interface Kits</b>			
22026963	ACC409xx IDNet (Cable Adapter)		323
<b>Quick Pit Frames</b>			
30242214	Quick Pit Model C Galvanized	930 x 1210 mm	2,520
30242215	Quick Pit Model C Stainless Steel	930 x 1210 mm	3,135
30242216	Quick Pit Model D Galvanized	1130 x 1380 mm	2,710
30242217	Quick Pit Model D Stainless Steel	1130 x 1380 mm	3,275
30242218	Quick Pit Model E Galvanized	1390 x 1640 mm	2,940
30242219	Quick Pit Model E Stainless Steel	1390 x 1640 mm	3,445
30242220	Quick Pit Model ES Galvanized	1640 x 1640 mm	3,100
30242221	Quick Pit Model ES Stainless Steel	1500 x 1500 mm	3,990
<b>Ramps Hot Galvanized</b>			
	Ramp KC/KCS/DC/DCS/g pattern (tread)	1000 x 800 mm, hot galvanized	1,680
<b>Ramps Stainless Steel</b>			
599198	Ramp KC/KCS/DC/DCS stainless		4,230
599204	Ramp KC/KCS/DC/DCS stainless (tread)		3,820
<b>Extension Cables</b>			
30242223	Cable M12 RS422 SICSpr0 12P/6P 2,5m	Safe Area SICSpr0 Extension Cable 2.5m	225
30242224	Cable M12 RS422 SICSpr0 12P/6P 5m	Safe Area SICSpr0 Extension Cable 5m	219
30242226	Cable M12 RS422 SICSpr0 12P/6P 10m	Safe Area SICSpr0 Extension Cable 10m	call
30242225	Cable M12 RS422 SICSpr0 12P/6P 20m	Safe Area SICSpr0 Extension Cable 20m	call
30242227	Cable M12 RS422 SICSpr0 12P/6P 100m	Safe Area SICSpr0 Extension Cable 100m	call



# Commercial Pallet Truck Scales

## BTA231

### Rugged, Fast and Simple to Use

#### Precise and Simple Pallet Weighing

Rugged and cost-effective, this truck scale features a dependable terminal including a large, easily visible display and efficient keyboard.

#### Mobile Weighing Solution

Long life rechargeable battery for up to 95 hours of mobile operation in many industrial and warehousing applications.

#### Ergonomic & Easy to Use

The ergonomically designed function handle allows fast lifting, weighing, steering and moving in one simple step.

[www.mt.com/bta231](http://www.mt.com/bta231)



Material Number	Description	Maximum Capacity	Fork Size	Shipping Weight	List Price (CAD)
30084522	Pallet Truck Scale BTA231 -555U	4,000 lb / 2,000 kg	48"L x 22"W	275 lb	3,885
30084523	Pallet Truck Scale BTA231 -960U		48"L x 27"W		3,885



# Overhead Monorail Scales

## 0990 Monorail

Applied



### Economic System Integration

#### Overhead Track Weighing

Ideal for integration into overhead meat processing lines.

#### Accurate & Reliable

Legal for trade NTEP weighing device in a straight forward design; no moving parts to maintain, less downtime.

#### Survives Harsh Environments

Hermetically sealed stainless steel load cells and stainless steel junction box standard.

**Protection Rating** IP68  
**Metrology** NTEP III 2.5M

Material Number	Legacy Number	Description	Maximum Capacity	Load Cell	Material	Live Rail Length	Shipping Weight	List Price (CAD)	
61036822	_09900001102	Monorail 0990 CS 1.25K 24.0 30CBL	1,250 lb	0757; 9.1m (30 ft); No Junction Box	Mild Steel painted	2 ft	167 lb	5,230	
61006261	_09900011102	Monorail 0990 CS 1.25K 24.0 ANA					170 lb	5,645	
61005913	_09901011102	Monorail 0990 CS 1.25K 48.0 ANA				200 lb	6,250		
69031730	_09900111102	Monorail 0990 SS 1.25K 24.0 ANA			0757; 9.1m (30 ft)	Stainless steel, grade 304	2 ft	170 lb	7,265
61037423	_09901111102	Monorail 0990 SS 1.25K 48.0 ANA						200 lb	8,055
61005908	_09900011103	Monorail 0990 CS 2.5K 24.0 ANA					2,500 lb	0757; 9.1m (30 ft); No Junction Box	Mild Steel painted
61005914	_09901011103	Monorail 0990 CS 2.5K 48.0 ANA	200 lb	7,065					
61037422	_09900101103	Monorail 0990 SS 2.5K 24.0 30CBL	0757; 9.1m (30 ft)	Stainless steel, grade 304	2 ft	167 lb			
61023593	_09900111103	Monorail 0990 SS 2.5K 24.0 ANA				170 lb			8,315
69031731	_09901111103	Monorail 0990 SS 2.5K 48.0 ANA			200 lb	9,100			



**Consultative** **Ex Weighing Terminals**  
**IND226x**



**Simple Weighing Terminal**

**Compact, tough and cost-effective**

Complies with international hazardous-area standards. Designed for harsh environments. AC and battery power options available. Perfect cost-value ratio.

**Built-in Software Features Support Various Applications**

IND226x includes check-weighing and classifying modes along with Minweigh and CalFREE functions. Transmit application data to the safe area available through the ACM200 communication module.

**Remote Display Capability**

IND226x is capable of functioning as a remote indicator with Clear, Tare, Print and Zero capability. Connect through the ACM200 to a master terminal in safe area.

[www.mt.com/ind226x](http://www.mt.com/ind226x)



**Standard Features**

- Supports four analog 350Ω load cells (5VDC excitation)
- Remote terminal
- Remote display function
- Application Modes: Basic Weighing, Over/Under, Manual Filling
- One-touch keys for clear, tare, print, zero, and function
- MinWeigh® warning function
- Harsh stainless steel, IP66 enclosure
- CalFREE™ calibration without testing
- Bright green, 6-digit, 1.2" LED weight display
- Battery saving sleep mode/standby function

**Approvals**

- NTEP Class III/IIIL 10,000d, COC#06-053
- FM/cFM: Class I, II, III, Division 1; Group A, B, C, D, E, F, G; T4 Ta = 40°C
- Measurement Canada Approval #AM-5646

**Accessories**

- Bracket sold separately
- Can be used with APS500 or APS768 power supplies
- ACM200 Communication Module

**Housing**

Stainless Steel

**Interfaces**

Intrinsically Safe Current Loop

**Protection Rating**

IP66

**Scale**

max. 1 scale; Analog

Material Number	Legacy Number	Description	Dimensions (L x W x H)	Shipping Weight	List Price (CAD)
72210052	72210052	IND226xUSALC	8.6 in x 6 in x 5.2 in / 220 mm x 150 mm x 132 mm	6 lbs	1,855
64062682	64062682	IND226XW/INTERFACE-INDINSTALLED			2,025
64062683	64062683	IND226XW/INTERFACE-REMOTEINSTALL			2,130

## IND226x Accessories

Material Number	Material Description	Order Notes	List Price (CAD)
<b>ACM200</b>			
72223667	ACM200 US	Includes 10 m Ex-i, 4 core current loop communication cable and 10m serial cable with 9 pin D-Sub plastic connector	790
63079627	ACM200 AC WITH CL20MA	Current Loop / RS422 / RS485 interface Includes data interface connection cable, IDNet plug, 10 m length and Ex-i connection cable (4-wire), 10 m length	1,250
<b>Analog</b>			
72999960	J-BOX ASSY SPLICE 2-H LC-TO-HR	Junction Box for APS500/501 blue cable extension	357
<b>Power Options</b>			
64056319	APS500 - Ex Power Supply - 120 VAC	External Ex 120V Power Supply - 3 m blue cable included	1,075
22026723	Power Supply APS768x-120V	Mains connection voltage: 120 VAC, 60 Hz, connecting 9-core cable 5 m length. Stainless steel enclosure. FM-approval (USA and Canada) for hazardous area.	1,865
22026727	Power Supply APS768x-230V	230V Power Supply	1,865
22026729	PowerSupply APS768x230-CLCL ViperEx	230V Power Supply	2,400
64058025	External Ex 240V PS.	External Ex 240V Power Supply - 3 m blue cable included	1,075
<b>Batteries</b>			
64060627	External Ex Battery (Incl cable)	Battery Pack for hazardous area (ATEX- and FM-approval), includes 3m cable, IP66.	1,225
64060625	External Ex Battery Spare-no cable		1,225
64060217	Safe Area Battery Charger(US Plug)		590
<b>Cables</b>			
64069050	CABLE,BLUE EX-I,CUT TO LENGTH	Blue Ex-i Cable Current loop Cable - 2 x 2 x 0.5mm, (2 twisted pair, 20 AWG with 0.25mm conductor insulation) Price per foot	8
64056504	CABLE,SHIELD,2 COND 20 GA,BL JACKET	APS500/501 bulk blue cable, per foot (requires Junction Box 72999960)	7
72215012	RS232 Cable	RS232 Serial Cable (10 m with 9 pin D-Sub Female connector - SAFE area use only)	88
<b>Miscellaneous</b>			
72204204	Interface Kits IND226x AA	Interface - IND Option Kit for connection to ACM200 or Remote Option Kit (with cord grip)	238
72207583	Interface Remote IND226x Px	Interface - Remote Option Kit to use IND226x as secondary display in hazardous	337
<b>Brackets/Stands/Pillars</b>			
72204997	Bracket IND226 S.S	Tilt Swivel Bracket	129
22010334	Stand 330 ID kpl.	stand PBA430(x) for ID-terminals: height 330 mm	560
22010335	Stand 660 ID kpl.	stand PBA430(x) for ID-terminals, height: 660 mm	755
504128	Pillar support S		1,055
504127	Pillar support ID		550
504132	Floor stand SS	Foot to floor seal (stainless steel)	1,205
30099425	KOP IND-COL BBA BATT BRKT	Bracket to mount battery to support column	147
22015188	Stand adapter set IND... Global	Tilt / Swivel Bracket	187
503701	Base Plate Stand stainless	Mobile column base (stainless steel)	630



**Ex Weighing Terminals**  
**ICS466x**



**Be safe with the ICS466x!**

**Uncompromised safety and compliance**

Specially designed for hazardous areas, ICS466x fulfills the special requirements for zone 1/21 or Div 1.

**Designed for easy use**

Large buttons with tactile feedback and a sizable colored backlight display makes operation simple.

**Versatile and powerful**

The ICS466x offers intuitive operation fit for many processes, and a compact design for easy integration.

[www.mt.com/ics466x](http://www.mt.com/ics466x)

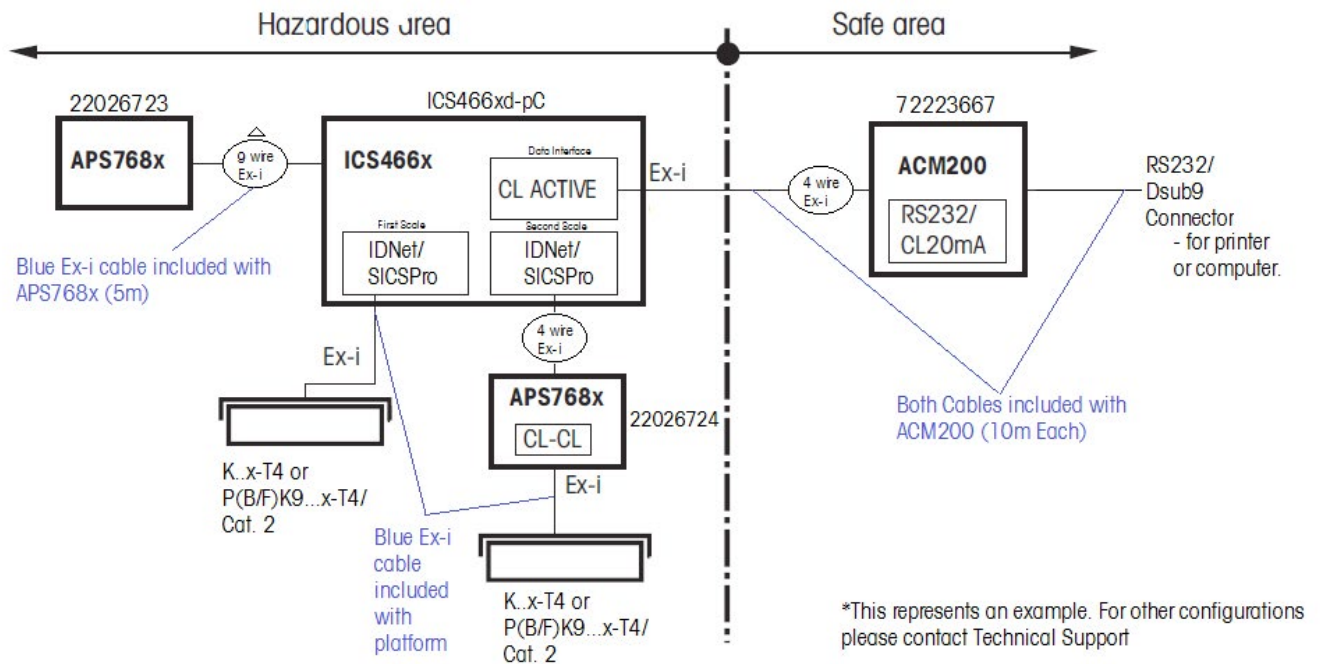
Material Number	Description	Terminal	Enclosure Type	First Scale	Second Scale	Data Interface	List Price (CAD)
30076821	ICS466xa	ICS466	ATEX Cat. 2GD; FM Division 1	Analog	None	None	2,130
30076823	ICS466xa-0C			Analog	None	Current Loop Active Interface	2,500
30076825	ICS466xa-d0			Analog	IDNet/SICSpro	None	2,885
30076826	ICS466xa-dC			Analog	IDNet/SICSpro	Current Loop Active Interface	3,250
30076822	ICS466xd			IDNet/SICSpro	None	None	2,410
30076824	ICS466xd-0C			IDNet/SICSpro	None	Current Loop Active Interface	2,780
30076827	ICS466xd-p0			IDNet/SICSpro	IDNet/SICSpro	None	2,780
30076828	ICS466xd-pC			IDNet/SICSpro	IDNet/SICSpro	Current Loop Active Interface	3,155

**ICS466x Accessories**

Material Number	Material Description	Order Notes	List Price (CAD)
<b>APS768x</b>			
22026723	Power Supply APS768x-120V	Mains connection voltage: 120 VAC, 60 Hz, connecting 9-wire cable 5 m length. Stainless steel enclosure. FM-approval (USA and Canada) for hazardous area.	1,865
22026724	APS768X 120V CL/CL SCALE VERSION	Additional CL-CL interface card installed. For use with the ACM200 as a communication solution for IDNet/Kbase or hazardous area APW module usage in hazardous areas with a terminal or PC located in the safe area.	1,970
<b>9 Wire Blue Ex-i Cables (Main Power ICS466x to APS768x)</b>			
22006707	Cable Ex-i 9 wire blue cable	price per foot (max- 150ft)	7
22006108	Cable Glands (Ex-i M16x1.5) 6PCS	Necessary for connection of APS768x CL/CL version	call
22006709	Wire Terminals	100 pcs.	70
<b>4 Wire Blue Ex-i Cables (Communication Cables ICS466x to ACM200 or ICS466x to APS768x CL/CL)</b>			
64069050	Cable Ex-i 9 wire blue cable	Current loop Cable - 2 x 2 x 0.5mm Price per foot	8
22006108	Cable Glands (Ex-i M16x1.5) 6PCS	Necessary for connection of APS768x CL/CL version	call
22006709	Wire Terminals	100 pcs.	70

Material Number	Material Description	Order Notes	List Price (CAD)
<b>Stands/Columns</b>			
22013964	Stand S 330, ICSxx9	Column PBA430(x), 426(x), and 429(x): height 330 mm	560
22013965	Stand S 660, ICSxx9	Column PBA430(x), 426(x), and 429(x): height 660 mm	755
<b>universal tilt swivel bracket</b>			
22015188	Stand adapter set IND... Global	Tilt / Swivel Bracket	187
<b>Wall Stand</b>			
22014833	Wallmount Bracket S, ICSxx9	Post that mounts to the wall and 22015188	209

## ICS466x configuration with 2 digital weighing platforms in the hazardous area



**Consultative** **Ex Weighing Terminals**  
**IND560x Configured**



**Uncompromised Weighing in Hazardous Areas**

**Performance & Compliance**

Designed for global use in Zone 1/21 & Div. 1 approved areas with approvals from ATEX, FM and NEPSI. Fully W&M certified to existing OIML and NTEP standards. In addition, the IND560x meets the latest EMC requirements (10 V/m).

**Speed & Control**

Excels in process control. Fast A/D performance (366 Hz) supports a best in class target update rate of 50 Hz. Multi-stage filters optimize the performance. Active and passive I/O options available for direct control of device inside the hazardous area.

**Advanced Communication & Flexible Programming**

Intrinsically safe interface modules with a wide range of supported PLC and communication protocols ensure secure integration with high level control systems. Specialized application software options satisfy the unique and specific needs of end users.

[www.mt.com/ind560x](http://www.mt.com/ind560x)



**Standard Features**

- Type 4x/12 Panel-mount or IP69k Desk Harsh Environment model
- TraxEMT™ maintenance features
- TraxDSP™ digital filtering and
- Supports single Analog or IDNet base
- One Intrinsically Safe RS-232 Serial Port
- Memory tables for 25 targets and 25 tare values
- Large Backlit LCD graphical Display
- Embedded logic for material transfer and over/under mode

**Approvals**

- NTEP Class III/IIIL, 10,000d, Class II 100,000d COC #05-057A2
- Measurement Canada Class III, 10,000d; Class II, 100,000d; Class IIIHD, 20,000d; AM-5593 Rev1
- FM / cFM: IS, Class I, II, III; Div 1; Groups A-G T4; Ta=-10°C to +40°C, IP65, Type 4; I/1/AEx ib IIC T4

**Accessories**

- Optional mounting brackets available
- Optional Active or Passive internal digital I/O with latched or unlatched outputs
- APS768x powered version or hazardous area battery powered version
- ACM500 Module provides IND560x connectivity for additional serial ports
- Optional software packages (Filling, Drive, TaskExpert)

**Hazardous Approval**

ATEX Cat. 2GD; FM Division 1; IEC Ex

**Housing**

Stainless Steel

**Protection Rating**

IP65

**Scale**

IDNet; Analog

Material Number	Description	Dimensions (D x H x W)	Shipping Weight	List Price (CAD)
64087982	IND560x	6.7 in x 7.2 in / 170 mm x 183 mm	8.7 lbs	2,410

Base Model													
5	6	X	5	IND560x Harsh, Analog Scale									
5	6	X	7	IND560x Harsh, IDNet Scale									
5	6	X	8	IND560x Harsh, SICSpro Scale									
5	6	Y	5	IND560x Panel, Analog Scale									
5	6	Y	7	IND560x Panel, IDNet Scale									
5	6	Y	8	IND560x Panel, SICSpro Scale									
Communication 1													
-	-			0	0	0	0	No Option					
-	-			0	0	0	E	Current loop					
-	-			0	0	0	F	Fiber optic					
Local I/O													
-	-			-	-	-		0	0	No Option			
-	-			-	-	-		E	0	4/6 I/O, Active-Active			
-	-			-	-	-		F	0	4/6 I/O, Active-Passive			
-	-			-	-	-		G	0	4/6 I/O, Passive-Passive			
-	-			-	-	-				Application Pac/Module			
-	-			-	-	-			0	0	None/None		
-	-			-	-	-			0	1	None/TaskExpert		
-	-			-	-	-			0	2	None/COM-560		
-	-			-	-	-			0	3	None/TaskExpert, COM-560		
-	-			-	-	-			F	0	Fill-560/None		
-	-			-	-	-			F	1	Fill-560/TaskExpert		
-	-			-	-	-			F	2	Fill-560/COM-560		
-	-			-	-	-			P	0	Fill-Plus/None		
-	-			-	-	-			P	1	Fill-Plus/TaskExpert		
-	-			-	-	-			V	0	Drive-560/None		
-	-			-	-	-			V	1	Drive-560/TaskExpert		
-	-			-	-	-			V	2	Drive-560/COM-560		
Battery Pack Connectivity													
-	-			-	-	-				0	0	0	No Option
-	-			-	-	-				2	0	0	IND560x-PAB Interface
5	6			0	0	0			0			0	0

## IND560x Configured Options

5	6			0	0	0				0				0	0
Material Description													Order Notes	List Price (CAD)	
<b>1 Base model</b>															
IND560x Harsh, Analog Scale				X	5										0
IND560x Harsh, IDNet Scale				Y	7										317
IND560x Panel, Analog Scale				X	5										164
IND560x Panel, IDNet Scale				Y	7										476
<b>2 Communication 1</b>															
Current loop						E									364
Fiber optic						F									364
<b>3 Local I/O</b>															
4 In/6 Out, Active-Active Interface							E								720
4 In/6 Out, Active-Passive Interface							F								720
4 In/6 Out, Passive-Passive Interface							G								720
<b>4 Application Pac/Module</b>															
None/None								0	0						0
None/TaskExpert								0	1						605
None/COM-560								0	2						385
None/TaskExpert, COM-560								0	3						990
Fill-560/None								F	0						540
Fill-560/TaskExpert								F	1						1,155
Fill-560/COM-560								F	2						930
Fill-Plus/None								P	0						840
Fill-Plus/TaskExpert								P	1						1,445
Drive-560/None								V	0						310
Drive-560/TaskExpert								V	1						915
Drive-560/COM-560								V	2						700
<b>5 Battery Pack Connectivity</b>															
No Option										0					0
IND560x-PAB Interface										2	Battery and Charger Sold Separately				421

## IND560x Configured Accessories (Field Install)

Material Number	Material Description	Order Notes	List Price (CAD)
<b>Application PACs</b>			
64061204	TaskExpert-IND560	Dongle TaskExp	670
64062647	Com Application IND560	COM-560 Communication Pack	424
64062793	Drive-560 (Simple In/Out Vehicle)		327
64055811	Fill-Pac IND560		590
64088226	IND560-FillPlus		930
<b>Power Options</b>			
22026723	Power Supply APS768x-120V	Mains connection voltage: 120 VAC, 60 Hz, connecting 9-core cable 5 m length. Stainless steel enclosure. FM-approval (USA and Canada) for hazardous area.	1,865
22026727	Power Supply APS768x-230V	230V Power Supply	1,865
22026729	PowerSupply APS768x230-CLCL ViperEx	230V Power Supply	2,400
64060625	External Ex Battery Spare-no cable		1,225
64060627	External Ex Battery (Incl cable)	Battery Pack for hazardous area (ATEX- and FM-approval), includes 3m cable, IP66.	1,225
64060217	Safe Area Battery Charger(US Plug)		590
<b>Cables</b>			
22006709	Cable Bushes H0 5/14 100pcs.	(H0,5/13), 100 pcs for 0,5 qmm cable	70
<b>Miscellaneous</b>			
72251543	IND560x-PAB EK-Kit	Battery Option PCB - Harsh only	446
22006708	Cable screw connection M16x1,5	(M16x1,5), 6 pcs (Ex-e M16x1,5 cable gland for 9,6 or 4 wire cables of MT)	270
72237415	CL Option Kits IND560x Harsh		396
72237410	CL Option Kits IND560x Panel		396
64007275	DUAL CHANNEL FIBER OPTIC 110V USA	Converts Fiber Optic to Serial; 2 Channel; Safe Area	930
72237416	FO Option Kits IND560x Harsh		396
72237411	FO Option Kits IND560x Panel		396
72237417	I/O (A-A) Option Kits IND560x Harsh		800
72237412	I/O (A-A) Option Kits IND560x Panel		800
72237418	I/O (A-P) Option Kits IND560x Harsh		800
72237413	I/O (A-P) Option Kits IND560x Panel		800
72237419	I/O (P-P) Option Kits IND560x Harsh		800
72237414	I/O (P-P) Option Kits IND560x Panel		800
72234642	Sealing Kit IND560x Harsh		56
<b>Wall Brackets</b>			
71209353	KOP Mounting Bracket Harsh	Wall mounting kit	98
22015188	Stand adapter set IND... Global	Tilt / Swivel Bracket	187

# Ex Weighing Terminals

## IND570xx Configured

### Ready to work in hazardous areas

#### Controlled Integration Costs

Customize the IND570xx with the specific software, communication and control options demanded by your application - adding costs only when needed.

#### Secure, Efficient Access to Data

Real-time or archived, the IND570xx's flexible communication options ensure you can effectively manage the data you need at the time you need it.

#### Boosted Weighing-System Effectiveness

Improve system performance and avoid expensive downtime with the smart diagnostics and proactive system monitoring available in the IND570xx.

[www.mt.com/IND570xx](http://www.mt.com/IND570xx)



- Hazardous Approval** ATEX Cat. 3GD; cFMus Div 2; IECEx Zone 2/22
- Housing** Stainless Steel
- Protection Rating** IP65
- Scale** IDNet; Analog

Material Number	Material Description	Shipping Weight	List Price (CAD)
30116166	Weighing Terminal IND570xx	3.96 kg	2,570

Base Model												
T	5	7	0	x	x	H	1	IND570xx Harsh, Analog Scale				
T	5	7	0	x	x	H	4	IND570xx Harsh, IDNet Scale				
T	5	7	0	x	x	H	8	IND570xx Harsh, SICSPRO Scale				
T	5	7	0	x	x	P	1	IND570xx Panel, Analog Scale				
T	5	7	0	x	x	P	4	IND570xx Panel, IDNet Scale				
T	5	7	0	x	x	P	8	IND570xx Panel, SICSPRO Scale				
<b>Communication Options 1</b>												
								0	0	0	0	None
								0	0	0	A	Ethernet
<b>Communication Options 2</b>												
								0				None
								7				COM2/3, 2/5 I/O, Solid State Relays
								C				5/8 I/O, Solid State Relays
								D				COM2, COM3
<b>Connectivity Options</b>												
								0				None
								A				Analog Output
								C				ControlNet
								D				DeviceNet
								E				EtherNet/IP - Modbus TCP
								P				PROFIBUS (Horiz. Header-Panel)
								R				PROFIBUS (Vert. Header-Harsh)
								T				PROFINET
<b>Application Options</b>												
								0	0			None/None
								0	1			None/TaskExpert
								0	2			None/COM-570
								0	3			None/TaskExpert, COM-570
								F	0			Fill-570/None
								F	1			Fill-570/TaskExpert
								F	2			Fill-570/COM-570
								V	0			Drive-570/None
								V	1			Drive-570/TaskExpert
								V	2			Drive-570/COM-570
<b>Power Options</b>												
								0				85-264VAC No Line Cord
								3				20-29VDC No Line Cord
								Z				85-264VAC Line Cord w/ Ferrules
<b>Approval Options</b>												
								4				ATEX & IECEx - Harsh
								5				FM Div. 2 - Harsh Analog
								7				FM, ATEX, & IECEx - Panel
T	5	7	0	x	x			0	0	0		

# IND570xx Configured Options

T	5	7	0	x	x			0	0	0										
Material Description						1	2	3	4	5	6	7	8	9	Order Notes	List Price (CAD)				
<b>1 Base Model</b>																				
IND570xx Harsh, Analog Scale						H	1													98
IND570xx Harsh, IDNet Scale						H	4													469
IND570xx Panel, Analog Scale						P	1													0
IND570xx Panel, IDNet Scale						P	4													371
<b>2 Communication 1</b>																				
None								0												0
Ethernet								A												197
<b>3 Communication 2</b>																				
None									0											0
COM2/3, 2/5 I/O, Solid State Relays									7											357
5/8 I/O, Solid State Relays									C											357
COM2, COM3									D											197
<b>4 Connectivity</b>																				
None										0										0
Analog Output										A										550
ControlNet										C										905
DeviceNet										D										660
EtherNet/IP - Modbus TCP										E										660
PROFIBUS (Horiz. Header-Panel)										P										660
PROFIBUS (Vert. Header-Harsh)										R										660
<b>5 Application SW/Module</b>																				
None/None											0	0								0
None/TaskExpert											0	1								520
None/COM-570											0	2								322
None/TaskExpert, COM-570											0	3								840
Fill-570/None											F	0								520
Fill-570/TaskExpert											F	1								1,035
Fill-570/COM-570											F	2								840
Drive-570/None											V	0								293
Drive-570/TaskExpert											V	1								820
Drive-570/COM-570											V	2								615
<b>6 Power</b>																				
No Line Cord - 85-264VAC														0						0
No Line Cord - 20-29VDC (Panel Only)														3						0
Line Cord - 85-264 VAC with Ferrules instead of Plug (Harsh Only)														Z						0
<b>7 Approval Options</b>																				
ATEX & IECEx (Americas & Asia Pacific) - Harsh Only															4					0
FM (US and Canada) - Harsh Analog Only																5				0
FM (US and Canada), ATEX & IECEx (Americas & Asia Pacific) - Panel Only																	7			0



## IND570xx Configured Accessories

Material Number	Material Description	Order Notes	List Price (CAD)
<b>Mounting Bracket</b>			
22020286	VESA mount 100mm x 100mm	Tilt / Swivel Bracket for current IND570/780	395
<b>Application PACs</b>			
30139632	TaskExpert Module	Dongle TaskExp	535
30139633	COM-570		272
30139634	TaskExpert / COM-570		720
30139638	Drive-570		340
30139640	Drive-570 / COM-570		505
30139639	Drive-570 / TaskExpert		705
30139635	Fill-570		483
30139637	Fill-570 / COM-570		720
30139636	FII-570 / TaskExpert		930
<b>PLC Interfaces</b>			
30116112	Kit, Etherne/IP, IND570	Ethernet/IP-Modbus TCP interface	670
30116110	Kit, DeviceNet, IND570	Interface DeviceNet	605
30113589	Kit, PROFIBUS, Horiz. Header-Panel, IND570	Profibus Interface for Panel Mount	605
30113590	Kit, PROFIBUS, Vert. Header-Harsh, IND570	Profibus Interface for Harsh enclosures	670
30113544	Kit, ControlNet, IND570	ControlNet Interface	1,025
<b>Connectivity</b>			
30113538	Kit, Ethernet, IND570	Ethernet TCP/IP	209
30113588	Kit, Analog Output, IND570	4-20mA	605
30113539	Kit, COM2/COM3, IND570	COM2/COM3 Serial Interfaces	122
<b>Discrete I/O</b>			
30113541	Kits, 5/8 I/O, Solid State Relays, IND570	Internal Discrete I/O Module - 5 Inputs / 8 Outputs (Solid State)	500
30113543	Kits, COM2/3, 2/5 I/O, Solid State Relays, IND570	COM2/COM3 & Internal Discrete I/O - 2 Inputs / 5 Outputs (Solid State)	500
<b>Miscellaneous</b>			
30130836	Spare Parts, Sealing Kit, IND570/xx Panel		43

**Consultative** **Ex Power & Communication**  
**APS768x**



**Multiple Use Power Supply Unit**

**Worldwide Compliance**

Certified according to latest IEC Ex and ATEX standards for an easy use in hazardous areas of Zone 1, 21.

**Outstanding Performance**

A maximum of 6 intrinsically safe output voltages enable connectivity to a broad range of hazardous area weighing terminals & compact scales

**Expandable Capabilities**

Certain barcode readers, designed for installation within hazardous areas, can be powered with the APS768x and the appropriate option.

[www.mt.com/APS768x](http://www.mt.com/APS768x)



**Standard Features**

- Stainless steel enclosure and integrated mounting hardware
- Provides power for one IND560x, IND226x, ICS466x, or Viper Ex

**Approvals**

- Factory Mutual (FM) US and Canada: Class I,II,III; Division 1, Groups A,B,C,D,E,F, & G

**Protection Rating**

IP66

**Hazardous Approval**

Class I,II,III; Division 1, Groups A,B,C,D,E,F, & G; Temperature Class T4 -10°C ≤ Ta ≤ +40°C x Class I,II,III; Division 1, Groups A,B,C,D,E,F, & G; Temperature Class T4 -10°C ≤ Ta ≤ +40°C; ATEX: II 2 G, D EEx em [ib] IIC T4 Installation in explosion risk area zone 1 (gas) zone 21 (dust) x Class I,II,III; Division 1, Groups A,B,C,D,E,F, & G; Temperature Class T4 -10°C ≤ Ta ≤ +40°C; ATEX: II 2 G, D EEx em [ib] IIC T4 Installation in explosion risk area zone 1 (gas) zone 21 (dust)

Material Number	Description	Dimensions	Order Notes	Shipping Weight	List Price (CAD)
22026724	APS768X 120V CL/CL SCALE VERS	3.2 in x 6.8 in x 80 mm / 320 mm	Additional CL-CL interface card installed. For use with the ACM200 as a communication solution for IDNet/Kbase or hazardous area APW module usage in hazardous areas with a terminal or PC located in the safe area.	9 lbs	1,970
22026725	APS768X 120V CL/CL VIPER EX		APS768x-CL/CL-VIPER Ex. Standard APS768x with an additional CL-CL interface card installed. For use with the ACM200 as an RS-232 communication interface for the VIPER-Ex.		1,820
22026723	APS768X-120V		Mains connection voltage: 120 VAC, 60 Hz, connecting 9-core cable 5 m length. Stainless steel enclosure. FM-approval (USA and Canada) for hazardous area.		1,865

Consultative

# Ex Power & Communication

## ACM500



### Maximize communication & control capabilities of the IND560x

#### Safe Connection into Zone 1/21 and Division 1 Hazardous Areas

ACM500 provides a worry free link between the IND560x terminal installed in the hazardous area and safe area peripherals such as PLCs, PCs and printers. Communication occurs over intrinsically safe current loop or fiber optics.

#### High Level Communication to and from the Hazardous Area

ACM500 supports numerous PLC protocols, providing a high level of real-time data and control options. An optional Ethernet TCP/IP network connection and multiple serial connections are also available

#### Common Accessories & Familiar Programming

ACM500 supports efficient service by utilizing the same communication hardware kits that are used in other IND560 products. Interfaces are configured from the setup menu of the IND560x terminal in the same, familiar way as other IND560 family products.

[www.mt.com/ACM500](http://www.mt.com/ACM500)



**Housing**

Stainless Steel

**Protection Rating**

IP66

**Hazardous Approval**

Connect to: AIS, Class I, II, III; Div 1; Groups A-G; Entity; IP66

**Voltage**

AC Version (with line cord)

**Standard Features**

- Safe area communication link to the IND560x in the hazardous area over fiber optic or intrinsically safe current loop
- Integrated universal power supply
- Fast bi-directional communication to and from the hazardous area

**Approvals**

- FM US & Canada: AIS, Class I, II, III; Div 1; Groups A-G; Entity; IP66
- AIS = Associated apparatus with intrinsically safe connection

Material Number	Description	Dimensions (HxW)	Interfaces	Shipping Weight	List Price (CAD)
64069276	Access, ACM500,C/L,US	8.2 in x 10.4 in / 208 mm x 263 mm	Current Loop	11.8 lbs.	1,135
64061131	Access, ACM500,C/L,Analog Out,US				1,960
64061132	Access, ACM500,C/L,AB RIO,US				1,885
64061133	Access, ACM500,C/L,DeviceNet,US				1,960
64068912	Access, ACM500,C/L,ENet/IP,US				2,200
64061134	Access, ACM500,C/L,Profibus,US				1,960
64061126	Access, ACM500,C/L,Serial,US				1,475
64061127	Access, ACM500,C/L,Serial,A/O,US				2,290
64061128	Access, ACM500,C/L,Serial, AB RIO				2,290
64061129	Access, ACM500,C/L,Serial,DNet,US				2,290
64068910	Access, ACM500,C/L,ENet-Ser,E/IP,US				2,560
64061130	Access, ACM500,C/L,Ser,Profibus,US				2,290

Material Number	Description	Dimensions (HxW)	Interfaces	Shipping Weight	List Price (CAD)
64069277	Access, ACM500,F/O,US	8.2 in x 10.4 in / 208 mm x 263 mm	Fiber Optic	11.8 lbs.	
64061140	Access, ACM500,F/O,Analog Out,US				1,960
64061141	Access, ACM500,F/O,AB RIO,US				1,960
64061142	Access, ACM500,F/O,DeviceNet,US				1,960
64068914	Access, ACM500,F/O,E/IP,US				2,220
64061143	Access, ACM500,F/O,Profibus,US				1,960
64061135	Access, ACM500,F/O,Serial,US				1,465
64061136	Access, ACM500,F/O,Ser,Ana Out,US				2,290
64061137	Access, ACM500,F/O,Serial,AB RIO,US				2,290
64061138	Access, ACM500,F/O,Ser,DNet,US				2,270
64068913	Access, ACM500,F/O,ENet-Ser,E/IP,US				2,540
64061139	Access, ACM500,F/O,Ser,Profibus,US				2,360

## ACM500 Accessories

Material Number	Material Description	Order Notes	List Price (CAD)
<b>Cables</b>			
22006709	Cable Bushes H0 5/14 100pcs.	(H0,5/13), 100 pcs for 0,5 qmm cable	70
22006707	Cable Ex-i 100m 9adr.0 5qmm		7
64069050	CABLE,BLUE EX-I,CUT TO LENGTH	Blue Ex-i Cable Current loop Cable - 2 x 2 x 0.5mm, (2 twisted pair, 20 AWG with 0.25mm conductor insulation) Price per foot	8
22006708	Cable screw connection M16x1,5	(M16x1,5), 6 pcs (Ex-e M16x1,5 cable gland for 9,6 or 4 wire cables of MT)	270
<b>Interface Kits</b>			
71209095	Assembly EtherNet Kit	Ethernet TCP/IP and 2 Serial Ports Option Card	373
72193580	Assembly DEVICENET OPTION KIT	Interface DeviceNet	840
71209099	Assembly Analog Output Kit	4-20mA	860
71209098	Assembly A-B RIO Kit	RIO Interface	860
71209096	Assembly ProfiBUS Kit (Vertical header)	Profibus DP Interface Option for Panel Mount	840
<b>Fiber Optic Cables</b>			
64007353	FIBER OPTIC CABLE 15.2 METERS	Plastic Core - with connector	148
64007314	FIBER OPTIC CABLE 152 METERS NO TER	Plastic Core - Max run distance of 100'; requires splice kit 64007315	1,175
64007315	FIELD TERMINATION KIT FOR FIBER OPT	Plastic Core Fiber Optic Cable Only - Kit of 16 connectors	184
64007354	FIBER OPTIC CABLE 30.4 METERS	Plastic Core - with connector	241
64007615	FIBER OPTIC CABLE, GLASS CORE, 100f		315
64007614	FIBER OPTIC CABLE, GLASS CORE, 150f		460
64007612	FIBER OPTIC CABLE, GLASS CORE, 250f		765
64007611	FIBER OPTIC CABLE, GLASS CORE, 300f		930
64007616	FIBER OPTIC CABLE, GLASS CORE, 50f		172
64007610	FIBER OPTIC CABLE, GLASS CORE, 350f		1,100
64007609	FIBER OPTIC CABLE, GLASS CORE, 400f		1,215
64007608	FIBER OPTIC CABLE, GLASS CORE, 450f		1,405
64007607	FIBER OPTIC CABLE, GLASS CORE, 500f		1,565
64007606	FIBER OPTIC CABLE, GLASS CORE, 550f		1,715
64007605	FIBER OPTIC CABLE, GLASS CORE, 600f		1,885
64007604	FIBER OPTIC CABLE, GLASS CORE, 650f		2,035
64007603	FIBER OPTIC CABLE, GLASS CORE, 700f		2,175
64007602	FIBER OPTIC CABLE, GLASS CORE, 750f		call
64007601	FIBER OPTIC CABLE, GLASS CORE, 800f		2,490
64007600	FIBER OPTIC CABLE, GLASS CORE, 850f		call
64007599	FIBER OPTIC CABLE, GLASS CORE, 900f		call
64007598	FIBER OPTIC CABLE, GLASS CORE, 950f		call
64007597	FIBER OPTIC CABLE, GLASS CORE,1000f		3,100

**Consultative** **Ex Power & Communication**  
**ACM200**



**Accessory Communication Module for IND226x and IND560x**

**Fast, Bi-directional Communication to and from Hazardous Areas**

The ACM200 communicates to terminals in the hazardous area via an intrinsically safe current loop protocol carried over copper wire. A single RS-232 port can be connected to PC, printers and other serial devices in the safe area.

**Compact, tough and cost-effective**

Designed for harsh industrial environments where space is typically limited, the ACM200 provides serial communication to the safe area from the IND226x and IND560x for a reasonable cost.

**Efficient Installation**

The ACM200 itself requires no time for configuration. Integrated brackets are utilized for mounting, and each unit includes communication cables required to establish communication to and from the hazardous area.



[www.mt.com/IND226x](http://www.mt.com/IND226x)

**Standard Features**

- When used with the APS768x with current loop, the ACM200 can be used for communication with a hazardous area Kx-Base, ViperEX, or WMH-ex
- Fast bi-directional communication to and from the hazardous area
- Safe area communication link to the IND226x in the hazardous area over intrinsically safe current loop
- Integrated universal power supply
- Fast bi-directional communication to and from the hazardous area

**Approvals**

- FM US & Canada: AIS, Class I, II, III; Div 1; Groups A-G; Entity; IP66
- AIS = Associated apparatus with intrinsically safe connection

**Housing**

Stainless Steel

**Protection Rating**

IP66

**Voltage**

AC Version (with line cord)

Material Number	Description	Dimensions	Interfaces	Shipping Weight	List Price (CAD)
63079627	ACM200 AC WITH CL20ML	6.9 in x 6.3 in / 70 mm x 230 mm	CL; RS422; RS485; for Kx-base communications or serial distances >50'	9 lbs	1,250
72223667	ACM200 FOR AM		CL; RS232; 50' max	6.75 lbs	790

**ACM200 Accessories**

Material Number	Material Description	Order Notes	List Price (CAD)
<b>Cables</b>			
64069050	CABLE,BLUE EX-I,CUT TO LENGTH	Blue Ex-i Cable Current loop Cable - 2 x 2 x 0.5mm, (2 twisted pair, 20 AWG with 0.25mm conductor insulation) Price per foot	8
72215012	RS232 Cable	RS232 Serial Cable (10 m with 9 pin D-Sub Female connector - SAFE area use only)	89

**Signal Amplifiers/Accessories**  
**ISB(x) Intrinsic Safety Barrier**

Consultative



Barriers have both metrology and safety approvals for United States (NTEP/FM), Canada (Canada Metrology/CSA), and Europe (Nmi/KE).

Both entity and system approvals have been obtained from Factory Mutual and CSA.

Individually replaceable fuse cartridges  
[www.mt.com/](http://www.mt.com/)

**Standard Features**

- Removable terminal strip connectors - Color coded and sized differently
- Individually replaceable fuse cartridges
- Direct NS35 DIN rail mounting for ISB05 and ISB15 models
- Both entity and system approvals have been obtained from Factory Mutual and CSA
- Barriers have both metrology and safety approvals for United States (NTEP/FM), Canada (Canada Metrology/CSA), and Europe (Nmi/KE)

**Approvals**

- USA: ISB05X and ISB15X are FM approved for Class I, II, III; Groups C through G; T6
- USA: ISB05 and ISB15 are FM approved for Class I, II, III; Groups A through G



Material Number	Material Description	Housing	Hazardous Approval	Installation	List Price (CAD)
30099813	ISB 05000 Barrier DIN Mount	Plastic	CSA: Class I, II, III; Division 1; Groups A through D; FM: Class I, II, III; Division 1, 2; Groups A through G	Safe Area	1,775
30099814	ISB 15000 Barrier DIN Mount				1,865



Material Number	Material Description	Housing	Hazardous Approval	Installation	List Price (CAD)
30079639	ISB 05x000 Barrier	Barrier and TYPE 7/9 explosion proof /flameproof box; Durable Cast Aluminum	CSA: Class I, II, III; Division 1; Groups C through G; FM: Class I, II, III; Division 1, 2; Groups C through G; T6	Hazardous Area	2,270
30079656	ISB 15x000 Barrier				2,325

**ISB(x) Intrinsic Safety Barrier Accessories**

Material Number	Material Description	Order Notes	List Price (CAD)
<b>Miscellaneous</b>			
64035520	CONDUIT SEALING KIT FOR ISB..X (2)	Kit with two 3/4" conduit sealing fittings. UL approved	138
64035521	KOP,NEMA 7/9 W/GRP BUSHING,EXPRT	Kit with two 3/4" to 20mm thread adapters. BASEEFA approved	88
64048856	Access,GROUDING,ISB,CANADA	Ground kit for ISB05/ISB15, required in Canada. CSA approved	99

**Consultative** **Ex Compact Scales**  
**Viper Ex MB**



**Hazard free way to precise results**

**Performance & Compliance**

Excellent accuracy thanks to a rugged MonoBloc weighing cell. Designed for global use in Zone 1 & Class I, Div. 1 classified areas

**Product range & features**

Up to 3 different weighing pan sizes combined with 5 weighing ranges from 1.5 to 35 kg are offered. Large function keys and an easy to read LCD provide user friendly operation

**Built-in Software Solutions**

Software applications feature options for formula weighing and dispensing. In addition a stabilization time of approx. 1.2 sec ensures fast weighing results

[www.mt.com/viper-ex-us](http://www.mt.com/viper-ex-us)



**Protection Rating** IP43

**Housing** Aluminum Diecast

**Hazardous Approval** FM Class I, Div. 1

- Standard Features**
- Zero, Tare, Print, Unit, and Clear key
  - Viper Ex Power Supply (APS768x) Required - Order separately from next page
  - MonoBloc or standard load cell technology
  - Fast graphical display with back light
  - Die-cast aluminum housing

- Approvals**
- FM Class I, Division 1, Groups ABCD
  - CSA Class I, Division 1, Groups ABCD
  - ATEX: II 2 G EEx ib IIC T4

- Accessories**
- 1 x RS232 interface (requires APS768XVIPER/ACM200CL system order separately from next page)

Material Number	Description	Maximum Capacity	Readability	Dimensions (D x H x W)	Shipping Weight	List Price (CAD)
21203955	ViperExMBPM3	6 lb / 3 kg	0.00002 lb	12.6 in x 12.6 in x 4.6 in	11 lbs	5,855
21203956	ViperExMBPM6	12 lb / 6 kg	0.0002 lb		11 lbs	5,855
21203957	ViperExMBPM12	24 lb / 12 kg	0.0002 lb	14.3 in x 14.2 in x 4.6 in	22 lbs	6,210
21203958	ViperExMBSM30	60 lb / 30 kg	0.0002 lb	14.3 in x 14.2 in x 4.6 in	22 lbs	7,225



## Viper Ex MB Accessories

Material Number	Material Description	Order Notes	List Price (CAD)
<b>ACM200</b>			
72223667	ACM200 US	Includes 10 m Ex-i, 4 core current loop communication cable and 10m serial cable with 9 pin D-Sub plastic connector	790
63079627	ACM200 AC WITH CL20MA	Current Loop / RS422 / RS485 interface Includes data interface connection cable, IDNet plug, 10 m length and Ex-i connection cable (4-wire), 10 m length	1,250
<b>APS768x</b>			
22026725	Power Supply APS768X 120V CL/CL VIPER EX	APS768x-CL/CL-VIPER Ex. Standard APS768x with an additional CL-CL interface card installed. For use with the ACM200 as an RS-232 communication interface for the VIPER-Ex.	1,820
22026723	Power Supply APS768x-120V	Mains connection voltage: 120 VAC, 60 Hz, connecting 9-core cable 5 m length. Stainless steel enclosure. FM-approval (USA and Canada) for hazardous area.	1,865
22026727	Power Supply APS768x-230V	230V Power Supply	1,865
22026729	PowerSupply APS768x230-CLCL ViperEx	230V Power Supply	2,400
<b>Cables</b>			
22006709	Cable Bushes H0 5/14 100pcs.	(H0,5/13), 100 pcs for 0,5 qmm cable	70
22006707	Cable Ex-i 100m 9adr.0 5qmm		7
504376	RS232 Cable for PC/AT	RS 232C cable, 9-pin female connector, 3 m long	184
503755	RS232 cable/DCE	10 ft RS232 Cable, DIN - DB25	183
504374	RS232 Cable/PC	8Pin↔Dsub25	187
63061675	Cable 9x.05 Sq Mm By The Foot		14
<b>Miscellaneous</b>			
22006708	Cable screw connection M16x1,5	(M16x1,5), 6 pcs (Ex-e M16x1,5 cable gland for 9,6 or 4 wire cables of MT)	270

**Applied** **Ex Bench Platforms**  
**PBA426x**



**For Challenging Applications**

**High Durability**

The rugged, full stainless steel frame & load cell ensures a long life time also when used in harsh & wet environments (IP65/IP67).

**Easy to Clean**

The open and sturdy platform design, built according to hygienic standards, allowing fast, thorough and easy cleaning.

**Hazardous Area Approved**

This platform is suitable for ATEX zone 1/21, the load cell is approved according FM Class I, II, III, Division 1

[www.mt.com/PBA426](http://www.mt.com/PBA426)



- Scale Interface**            Analog
- Material**                     Stainless Steel V2A (AISI 304)
- Hazardous Approval**        FM Class I, Div. 1; ATEX Cat. 2GD

Material Number	Description	Maximum Capacity	Resolution	Dimensions (L x W)	Measurement Canada Max/Emin	Cable Length	List Price (CAD)
72237298	PBA426X-A3	5 lb / 3 kg	0.001 lb / 1 g	9.5 in x 11.8 in / 240 mm x 300 mm	10kg / 2g	9.9 ft / 3 m	1,330
72237300	PBA426X-A6	10 lb / 6 kg	0.002 lb / 2 g				1,820
72237302	PBA426X-A15	25 lb / 15 kg	0.005 lb / 5 g	11.8 in x 15.7 in / 300 mm x 400 mm	25kg / 5g		1,330
72237304	PBA426X-BB30	50 lb / 30 kg	0.01 lb / 10 g				2,080
72237306	PBA426X-B30			15.7 in x 19.7 in / 400 mm x 500 mm	1,755		
72237307	PBA426X-BB60	100 lb / 60 kg	0.02 lb / 20 g	11.8 in x 15.7 in / 300 mm x 400 mm	50kg / 10g		2,080
72237308	PBA426X-B60			15.7 in x 19.7 in / 400 mm x 500 mm			2,290

Material Number	Description	Maximum Capacity	Resolution	Dimensions (L x W)	Measurement Canada Max/Emin	Cable Length	List Price (CAD)
72237299	PBA426X-QA3	5 lb / 3 kg	0.001 lb / 1 g	9 in x 9 in / 229 mm x 229 mm	10kg / 2g	9.9 ft / 3 m	1,240
72237301	PBA426X-QA6	10 lb / 6 kg	0.002 lb / 2 g				1,240
72237303	PBA426X-QB15	25 lb / 15 kg	0.005 lb / 5 g	12 in x 12 in / 305 mm x 305 mm	25kg / 5g		1,885
72237305	PBA426X-QB30	50 lb / 30 kg	0.01 lb / 10 g				1,375
72237309	PBA426X-QB60	100 lb / 60 kg	0.02 lb / 20 g				50kg / 10g

This platform is suitable for ATEX zone 1/21, the load cell is approved according FM Class I, II, III, Division 1 and it features a hygienic kit.

Material Number	Description	Maximum Capacity	Resolution	Dimensions (L x W)	Measurement Canada Max/ Emin	Cable Length	List Price (CAD)
71211159	PBA426X-A3H	5 lb / 3 kg	0.001 lb / 1 g	9.5 in x 11.8 in / 240 mm x 300 mm	10kg / 2g	9.9 ft / 3 m	1,940
71211160	PBA426X-A6H	10 lb / 6 kg	0.002 lb / 2 g				1,940
71211161	PBA426X-A15H	25 lb / 15 kg	0.005 lb / 5 g				1,940
71211162	PBA426X-BB30H	50 lb / 30 kg	0.01 lb / 10 g	11.8 in x 15.7 in / 300 mm x 400 mm	25kg / 5g		2,220
71211164	PBA426X-B30H			15.7 in x 19.7 in / 400 mm x 500 mm			1,845
71211163	PBA426X-BB60H	100 lb / 60 kg	0.02 lb / 20 g	11.8 in x 15.7 in / 300 mm x 400 mm	50kg / 10g		2,220
71211165	PBA426X-B60H			15.7 in x 19.7 in / 400 mm x 500 mm			2,530

Material Number	Description	Maximum Capacity	Resolution	Dimensions (L x W)	Measurement Canada Max/ Emin	Cable Length	List Price (CAD)
71211166	PBA426X-QA3H	5 lb / 3 kg	0.001 lb / 1 g	9 in x 9 in / 229 mm x 229 mm	10kg / 2g	9.9 ft / 3 m	1,330
71211167	PBA426X-QA6H	10 lb / 6 kg	0.002 lb / 2 g				1,330
71211168	PBA426X-QB15H	25 lb / 15 kg	0.005 lb / 5 g	12 in x 12 in / 305 mm x 305 mm	25kg / 5g		1,460
71211169	PBA426X-QB30H	50 lb / 30 kg	0.01 lb / 10 g				2,015
71211170	PBA426X-QB60H	100 lb / 60 kg	0.02 lb / 20 g				50kg / 10g

## PBA426 Accessories

Material Number	Description	Order Notes	List Price (CAD)
<b>Stainless Steel Columns</b>			
72198702	Stand Acces S.S 330mm PBA220	Column 13" SS Open Back	171
72198703	Stand Acces S.S 660mm PBA220	Column 26" SS Open Back	195
72198704	Stand Acces S.S 900mm PBA220	Column 35.5" SS Open Back	205

**Applied**  
**Ex Bench Platforms**  
**PBA429x**



**For Demanding Applications**

**High Durability**

The rugged, full stainless steel frame & the hermetically sealed load cell ensures a long life time also when used in harsh, wet & humid environments (IP68/ IP69k).

**Easy to Clean**

The open and sturdy platform design, built according to hygienic standards, allowing fast, thorough and easy cleaning.

**Hazardous Area Approved**

This platform is suitable for ATEX zone 1/21 and the load cell is approved according FM Class I, II, III, Division 1.

[www.mt.com/pba429](http://www.mt.com/pba429)

**Scale Interface** Analog

**Material** Stainless Steel V2A (AISI 304)

**Hazardous Approval** FM Class I, Div. 1; ATEX Cat. 2G



Material Number	Description	Maximum Capacity	Resolution NTEP	Dimensions (L x W)	Measurement Canada Max/Emin	Cable Length	List Price (CAD)
71211171	PBA429X-A3	5 lb / 3 kg	1 g	9.5 in x 11.8 in / 240 mm x 300 mm	10kg / 2g	9.9 ft / 3 m	2,250
71211172	PBA429X-A6	10 lb / 6 kg	0.002 lb / 2 g				2,250
71211173	PBA429X-A15	25 lb / 15 kg	0.005 lb / 5 g	11.8 in x 15.7 in / 300 mm x 400 mm	25kg / 5g		call
71211174	PBA429X-BB30	50 lb / 30 kg	0.01 lb / 10 g				call
71211176	PBA429X-B30			15.7 in x 19.7 in / 400 mm x 500 mm	2,660		
71211175	PBA429X-BB60	100 lb / 60 kg	0.02 lb / 20 g	11.8 in x 15.7 in / 300 mm x 400 mm	50kg / 10g		2,520
71211177	PBA429X-B60			15.7 in x 19.7 in / 400 mm x 500 mm			call

Material Number	Description	Maximum Capacity	Resolution NTEP	Dimensions (L x W)	Measurement Canada Max/Emin	Cable Length	List Price (CAD)
71211178	PBA429X-QA3	5 lb / 3 kg	1 g	9 in x 9 in / 229 mm x 229 mm	10kg / 2g	9.9 ft / 3 m	call
71211179	PBA429X-QA6	10 lb / 6 kg	0.002 lb / 2 g				call
71211180	PBA429X-QB15	25 lb / 15 kg	0.005 lb / 5 g	12 in x 12 in / 305 mm x 305 mm	25kg / 5g		call
71211181	PBA429X-QB30	50 lb / 30 kg	0.01 lb / 10 g				2,300
71211182	PBA429X-QB60	100 lb / 60 kg	0.02 lb / 20 g	50kg / 10g	2,300		

This platform is suitable for ATEX zone 1/21, the load cell is approved according FM Class I, II, III, Division 1 and it features a hygienic kit.

Material Number	Description	Maximum Capacity	Resolution	Dimensions (L x W)	Measurement Canada Max/Emin	Cable Length	List Price (CAD)
72237286	PBA429X-A3H	5 lb / 3 kg	1 g	9.5 in x 11.8 in / 240 mm x 300 mm	10kg / 2g	9.9 ft / 3 m	call
72237288	PBA429X-A6H	10 lb / 6 kg	0.002 lb / 2 g		call		
72237290	PBA429X-A15H	25 lb / 15 kg	0.005 lb / 5 g	25kg / 5g	2,380		
72237292	PBA429X-BB30H	50 lb / 30 kg	0.01 lb / 10 g		11.8 in x 15.7 in / 300 mm x 400 mm		call
72237294	PBA429X-B30H			15.7 in x 19.7 in / 400 mm x 500 mm	call		
72237295	PBA429X-BB60H	100 lb / 60 kg	0.02 lb / 20 g	11.8 in x 15.7 in / 300 mm x 400 mm	50kg / 10g		call
72237297	PBA429X-B60H			15.7 in x 19.7 in / 400 mm x 500 mm		2,970	
72237287	PBA429X-QA3H	5 lb / 3 kg	1 g	9 in x 9 in / 229 mm x 229 mm	10kg / 2g	9.9 ft / 3 m	call
72237289	PBA429X-QA6H	10 lb / 6 kg	0.002 lb / 2 g				call
72237291	PBA429X-QB15H	25 lb / 15 kg	0.005 lb / 5 g	12 in x 12 in / 305 mm x 305 mm	25kg / 5g		call
72237293	PBA429X-QB30H	50 lb / 30 kg	0.01 lb / 10 g				call
72237296	PBA429X-QB60H	100 lb / 60 kg	0.02 lb / 20 g		50kg / 10g		2,440

## PBA429x Accessories

Material Number	Description	Order Notes	List Price (CAD)
<b>Stainless Steel Columns</b>			
72198702	Stand Acces S.S 330mm PBA220	Column 13" SS Open Back	171
72198703	Stand Acces S.S 660mm PBA220	Column 26" SS Open Back	195
72198704	Stand Acces S.S 900mm PBA220	Column 35.5" SS Open Back	205

# Applied Bench Platforms

## PBA430x



### The Bench Scale for Harsh Environments

#### When Cleanliness Counts

The PBA430x is designed according to the latest hygienic design guide lines. This outstanding product line is designed in accordance with EHEDG, GMP and NSF. In addition, the platforms are suitable for FM Div1 and Div2 applications.

#### Hermetically Sealed

The load cell is hermetically sealed. The IP69k protection indicates that it is suitable for high pressure cleaning. Even the harshest environments cannot damage this stainless steel load cell.

#### Hazard Area Approved

This platform is suitable for ATEX zone 1/21 and the load cell is approved according FM Class I, II, III, Division 1.

[www.mt.com/pba430](http://www.mt.com/pba430)



[Click to access databriefs, manuals and more](#)

#### Standard Features

- Up to six overload stops
- Up to 30,000d readability (not legal for trade)
- Stainless Steel hermetically sealed model 708/709 analog loadcell
- Square and rectangular sizes
- IP68 & IP69k protection
- Electro-polished Stainless Steel frame (except CC size)

#### Approvals

- USA: NTEP Class III, 5000d, COC #06-067 (except 3 kg & 600 kg capacities)
- Measurement Canada Approval #AM-5606 (except 3 kg & 600 kg capacities)

#### Protection Rating

IP69k; IP68

#### Scale Interface

Analog

#### Material

Stainless Steel V2A (AISI 304)

Base model									
P	B	A	4	3	0	X	0	Base Model PBA430x	
<b>Capacity</b>									
								2	3 kg
								3	6 kg
								4	15 kg
								5	30 kg
								8	60 kg
								A	150 kg
								B	300 kg
								C	600 kg
<b>Platform Size</b>									
								D	A - 9.5" x 12" - (240 x 300mm)
								E	BB - 12" x 16" - (300 x 400mm)
								F	B - 16" x 20" - (400 x 500mm)
								G	BC - 20" x 26" - (500 x 650mm)
								H	CC - 24" x 32" - (600 x 800mm)
								Q	CC - 24" x 32" - (600 x 800mm)
								R	QB - 12" x 12" - (305 x 305mm)
								S	QC - 18" x 18" - (457 x 457mm)
<b>Resolution</b>									
								L	2x3000e MR
<b>Scale Interface</b>									
								1	Analog
									Reserved
								0	None
<b>Load Plate Material</b>									
								5	Stainless Steel Load pl. AISI304 Smooth
								8	Stainless Steel Load pl. AISI316 Smooth
<b>Cable Length</b>									
								1	Cable length 1.5m
								2	Cable length 2.5m
								3	Cable length 5m
									Reserved
									0 0 0
									0 0 0

Material Number	Material Description	Typical Lead Time	List Price (CAD)
22500075	Bench Scale PBA430x Variant Configuration	4 weeks	1,970

## PBA430x Configured Options

P	B	A	4	3	0	X	0					0			0	0	0	
Material Description							1	2	3	4	5	6	Order Notes	List Price (CAD)				
<b>1 Capacity</b>																		
3 kg							2											0
6 kg							3											0
15 kg							4											0
30 kg							5											0
60 kg							8											0
150 kg							A											0
300 kg							B											0
600 kg							C											0
<b>2 Platform Size</b>																		
A - 9.5" x 12" - (240 x 300mm)								D										78
BB - 12" x 16" - (300 x 400mm)								E										462
B - 16" x 20" - (400 x 500mm)								F										1,025
BC - 20" x 26" - (500 x 650mm)								G										1,825
CC - 24" x 32" - (600 x 800mm)								H										3,160
QA - 9" x 9" - (229 x 229mm)								Q										0
QB - 12" x 12" - (305 x 305mm)								R										270
QC - 18" x 18" - (457 x 457mm)								S										1,515
<b>3 Resolution</b>																		
2x3000e MR									L									0
<b>4 Scale Interface</b>																		
Analog										1								0
<b>5 Load Plate Material</b>																		
Steel Load pl. AISI304 Smooth											5							0
Steel Load pl. AISI316 smooth Ra < 1 µm A											8							202
Steel Load pl. AISI316 smooth Ra < 1 µm BB											8							265
Steel Load pl. AISI316 smooth Ra < 1 µm B											8							317
Steel Load pl. AISI316 smooth Ra < 1 µm BC											8							382
Steel Load pl. AISI316 smooth Ra < 1 µm CC											8							555
Steel Load pl. AISI316 smooth Ra < 1 µm QA											8							222
Steel Load pl. AISI316 smooth Ra < 1 µm QB											8							251
Steel Load pl. AISI316 smooth Ra < 1 µm QC											8							324
<b>6 Cable Length</b>																		
Cable Length 1.5m												1						0
Cable Length 2.5m												2						0
Cable Length 5m												3						166

**Applied**  
**Ex Bench Platforms**  
**PBA655x**



**For Accurate Weighing**

**For High Precision Applications**

The PBA655x extremely robust platform design features an approvable resolution of NTEP 10'000d for optimal weighing precision.

**Highly Durable**

The load frame is powder-coated and the load plate consists of brushed stainless steel. This stands for high durability over a long period of time.

**Hazardous Area Approved**

The PBA655x platform series is suitable for hazardous environments according FM IS / Class, I, II, III / Division 1.  
[www.mt.com/pba655x](http://www.mt.com/pba655x)



- Scale Interface** Analog
- Material** Powder Coated Carbon Steel
- Hazardous Approval** FM Class I, Div. 1
- Standard Features**
  - Six overload stops
  - Rectangular Sizes
  - Powder coated steel frame
  - IP65 ingress protection
  - Aluminum model 785, 795, 805 analog load cell

- Approvals**
- Measurement Canada Approval #AM-5500 Rev 1 (30024704 is not approved) See Bench Platforms for specifics by scale.
  - NTEP COC# 02-081A2



Material Number	Description	Maximum Capacity	NTEP Readability	Dimensions (L x W)	Cable Length	List Price (CAD)
30024692	PBA655x-A6	10 lb / 6 kg	1 g	9.5 in x 11.8 in / 240 mm x 300 mm	3.3 ft / 1 m	1,345
30024693	PBA655x-A12	20 lb / 12 kg	2 g			1,345
30024694	PBA655x-BB30	50 lb / 30 kg	5 g	11.8 in x 15.7 in / 300 mm x 400 mm	6.6 ft / 2 m	1,575
30024695	PBA655x-BB60	100 lb / 60 kg	10 g			1,575
30024696	PBA655x-B60		200 lb / 120 kg	20 g	15.7 in x 19.7 in / 400 mm x 500 mm	8.2 ft / 2.5 m
30024697	PBA655x-B120	200 lb / 120 kg			20 g	



Material Number	Description	Maximum Capacity	NTEP Readability	Dimensions (L x W)	Cable Length	List Price (CAD)
30024698	PBA655x-BC60	100 lb / 60 kg	10 g	19.7 in x 25.6 in / 500 mm x 650 mm	8.2 ft / 2.5 m	2,080
30024701	PBA655x-CC60			23.6 in x 31.5 in / 600 mm x 800 mm		2,580
30024699	PBA655x-BC120	200 lb / 120 kg	20 g	19.7 in x 25.6 in / 500 mm x 650 mm		2,080
30024702	PBA655x-CC120			23.6 in x 31.5 in / 600 mm x 800 mm		2,580
30024700	PBA655x-BC300	500 lb / 300 kg	50 g	19.7 in x 25.6 in / 500 mm x 650 mm		2,080
30024703	PBA655x-CC300			23.6 in x 31.5 in / 600 mm x 800 mm		2,580
30024704	PBA655x-CC600	1,000 lb / 600 kg	100 g; 200 g	23.6 in x 31.5 in / 600 mm x 800 mm		2,580



## PBA655x Accessories

Material Number	Material Description	Order Notes	List Price (CAD)
<b>Ball top, galvanized balls, painted mild steel</b>			
72198691	Balltop Acces B	Ball Mat 400 x 500 mm	540
72198692	Balltop Acces BC	Ball Mat 500 x 650 mm	670
72198693	Balltop Acces CC	Ball Mat 600 x 800 mm	730
<b>2 Wheeled Bench Scale Stands</b>			
503631	Wheeled Stand B size, black powder coat	Requires K-Line feet to fit all scales except PBA430	580
503632	Wheeled Stand B size S.S	Requires K-Line feet to fit all scales except PBA430	930
504853	Wheeled Stand CC size, black powder coat	Requires K-Line feet to fit all scales except PBA430	875
504854	Wheeled Stand CC size S.S	Requires K-Line feet to fit all scales except PBA430	1,355
	K-Line leveling foot		107
<b>Columns Mild Steel</b>			
72198699	Stand Acces C.S 330mm PBA655x	Mild Steel Column 13" Open Back	123
72198700	Stand Acces C.S 660mm PBA655x	Mild Steel Column 26" Open Back	162
72198701	STAND CS 900 ACCES	Mild Steel Column 35.5" Open Back	171
<b>Roller Conveyor, galvanized rollers, painted mild steel</b>			
72198705	Rollertop Acces B	Rolling conveyor 400 x 500 mm	515
72198707	Rollertop Acces BC	Rolling conveyor 500 x 650 mm	730
72198709	Rollertop Acces CC	Rolling conveyor 600 x 800 mm	810
<b>Stainless Steel Columns</b>			
72198702	Stand Acces S.S 330mm PBA655	Column 13" SS Open Back	171
72198703	Stand Acces S.S 660mm PBA655	Column 26" SS Open Back	195
72198704	Stand Acces S.S 900mm PBA655	Column 35.5" SS Open Back	205
<b>Carts</b>			
72198696	Cart Acces PBA655x BC powder coat	Low pro cart 500 x 650 x 130mm (column incl.)	800
72198697	Cart Acces PBA655x CC powder coat	Low pro cart 600 x 800 x 130mm (column incl.)	840

**Ex Bench Platforms**  
Kx-T4 Line



**It is a Measuring Instrument ...**

**... Not Only a Scale**

With an approved resolution up to 30.000e OIML the Kx-T4-line opens new weighing horizons. Wet industrial environments (IP66/67) can be dealt with easily.

**Outstanding Metrology**

The K-line ensures exact weighing within the smallest tolerances. Due to its high precision digital measuring cell and the accurate lever system best values in the sense of repeatability and linearity are achieved.

**Do You know What You Weigh?**

Weighing from zero to maximum capacity with the highest precision. The high resolution or the Multi-interval resolution always shows the most accurate weight value.

[www.mt.com/kx-t4-bench](http://www.mt.com/kx-t4-bench)



- Scale Interface** IDNet
- Cable Length** 2.5 m
- Protection Rating** IP67
- Hazardous Approval** Cat. 2GD, Div 1, TIIS, NEPSI, CSA
- Standard Features**
  - Base and load plate included
  - IP67 protection
  - Measuring cell cable length 5 m
  - MonoBloc Technology
- Approvals**
  - Factory Mutual (FM) - Class I, II, III Division 1, Groups A-G



Material Number	Legacy Number	Maximum Capacity	Dimensions (H x W)	Material	List Price (CAD)
22008462	KA15SX-T4	30 lb / 15 kg	11 in x 13.8 in / 280 mm x 350 mm	Stainless Steel V2A (AISI 304)	7,080
22008463	KA32SX-T4	70 lb / 32 kg			7,625



Material Number	Legacy Number	Maximum Capacity	Dimensions (H x W)	Material	List Price (CAD)
22008465	KB60.2SX-T4	120 lb / 60 kg	15.7 in x 19.7 in / 400 mm x 500 mm	Stainless Steel V2A (AISI 304)	9,545



Material Number	Legacy Number	Maximum Capacity	Dimensions (H x W)	Material	List Price (CAD)
22008467	KCC150SX-T4	300 lb / 150 kg	23.6 in x 31.5 in / 600 mm x 800 mm	Stainless Steel V2A (AISI 304)	11,050
22008469	KCC300SX-T4	600 lb / 300 kg	23.6 in x 31.5 in / 600 mm x 800 mm	Stainless Steel V2A (AISI 304)	11,300

## Kx-T4 Line Accessories

Material Number	Material Description	Order Notes	List Price (CAD)
<b>Bench</b>			
503631	Bench Stand 400x500mm, black	500 x 400 mm, black powder-coated, for KB/FB/MB	580
503632	Bench Scale S.S	500 x 400 mm, stainless steel, for KB/FB/MB	930
504853	Bench Stand 600x800mm, black	800 x 600 mm, black powder-coated, for KCC/FCC/MCC	840
504854	KCC150/300 SS STAND WHEEL KIT	800 x 600 mm, stainless steel, for KCC/FCC/MCC	1,355
<b>Cables</b>			
504638	Cable Ex-i 100m (3x2x0,75qmm)	pricing per meter	15
<b>Connection set</b>			
504133	Connection Set	Cable adapter kit	830
<b>Data cable</b>			
504177	Cable,Data,IDNet	Cable on reel, 100 m	9
<b>Ramps</b>			
503638	Ramp KC/KCS/DC/DCS/g pattern	1000 x 800 mm, hot galvanized	1,680
<b>Roller conveyor</b>			
22001647	Roller track 500x400 stainless	500 x 400 mm, stainless steel, for KB/FB/MB	960
22001648	Roller track 800x600 stainless	800 x 600 mm, stainless steel, for KCC/FCC/MCC	1,755
22012799	Roller track 500x650 stainless	650 x 500 mm, stainless steel, for PBA330/430-BC	1,645
503640	Roller track 500x400 galvanized	500 x 400 mm, hot galvanized, for KB/FB/MB	755
504852	Roller track 800x600 galvanized	800 x 600 mm, hot galvanized, for KCC/FCC/MCC	1,355

**Ex Floor Platforms**  
**Kx-T4 Line**

Consultative



**It is a Measuring Instrument ...**

**... Not Only a Scale**

With an approved resolution up to 30.000e OIML the Kx-T4-line opens new weighing horizons. Wet industrial environments (IP66/67) can be dealt with easily.

**Outstanding Metrology**

The K-line ensures exact weighing within the smallest tolerances. Due to its high precision digital measuring cell and the accurate lever system best values in the sense of repeatability and linearity are achieved.

**Do You know What You Weigh?**

Weighing from zero to maximum capacity with the highest precision. The high resolution or the Multi-interval resolution always shows the most accurate weight value.

[www.mt.com/kx-t4](http://www.mt.com/kx-t4)

Order Notes The Following K-Bases do not come standard with a Load Plate: KD, KG, KE/KES



- Scale Interface** IDNet
- Cable Length** 5 m
- Protection Rating** IP67
- Hazardous Approval** Cat. 2GD, Div 1, TIIS, NEPSI, CSA

Material Number	Load Plate	Description	Maximum Capacity	Readability	Dimensions (W x L)	Material	List Price (CAD)
22008472	Included	KC300sx-T4	600 lb / 300 kg	2 g	39 in x 32 in / 1,000 mm x 800 mm	Stainless Steel	15,160
22008473	Included	KCS300sx-T4			32 in x 32 in / 800 mm x 800 mm		
22008476	Included	KC600sx-T4	1,200 lb / 600 kg	10 g	39 in x 32 in / 1,000 mm x 800 mm	Stainless Steel	15,960
22008477	Included	KCS600sx-T4			32 in x 32 in / 800 mm x 800 mm		
22023603	Order Separately	KD600sx-T4			49 in x 39 in / 1,250 mm x 1,000 mm		
22023609	Order Separately	KE1500sx-T4	3,000 lb / 1,500 kg	20 g	49 in x 59 in / 1,250 mm x 1,500 mm	Stainless Steel	call
22023611	Order Separately	KES1500sx-T4			59 in x 59 in / 1,500 mm x 1,500 mm		
22023610	Order Separately	KE3000sx-T4	6,000 lb / 3,000 kg	50 g	49 in x 59 in / 1,250 mm x 1,500 mm	Stainless Steel	24,240
22023612	Order Separately	KES3000sx-T4			59 in x 59 in / 1,500 mm x 1,500 mm		



Material Number	Load Plate Raisable	Description	Maximum Capacity	Readability	Dimensions (W x L)	Material	List Price (CAD)
22008490	SS Pattern	KE1500sxx-T4 pattern	3,000 lb / 1,500 kg	20 g	49 in x 59 in / 1,250 mm x 1,500 mm	Stainless Steel	50,200
22008494	SS Smooth Plate	KE1500sxx-T4 smooth					39,520
22008492	SS Tread Plate	KES1500sxx-T4 pattern			59 in x 59 in / 1,500 mm x 1,500 mm		55,600
22008496	SS Smooth Plate	KES1500sxx-T4 smooth					51,600
22008491	SS Tread Plate	KE3000sxx-T4 pattern	6,000 lb / 3,000 kg	50 g	49 in x 59 in / 1,250 mm x 1,500 mm		53,000
22008495	SS Smooth Plate	KE3000sxx-T4 smooth					55,000
22008493	SS Tread Plate	KES3000sxx-T4 pattern			59 in x 59 in / 1,500 mm x 1,500 mm		58,700
22008497	SS Smooth Plate	KES3000sxx-T4 smooth					54,300

## Kx-T4 Line Accessories

Material Number	Material Description	Order Notes	List Price (CAD)
<b>Load Plates</b>			
503617	Load plate KD/FD painted	1250 x 1000 mm, black lacquered	930
503618	Load Plate KD/g	1250 x 1000 mm, hot galvanized	1,355
503619	Load Plate KD/s	1250 x 1000 mm, stainless steel	3,285
503620	Load Plate KE painted	1500 x 1250 mm, black lacquered	1,465
503621	Load Plate KE galvanized	1500 x 1250 mm, hot galvanized	2,260
503622	Load Plate KE/s	1500 x 1250 mm, stainless steel	5,855
504504	Load Plate KES painted	1500 x 1500 mm, black lacquered	2,320
504505	Load Plate KES/g	1500 x 1500 mm, hot galvanized	2,380
504506	Load Plate KES/s	1500 x 1500 mm, stainless steel	6,280
<b>Pit frames</b>			
503635	Pit Frame KC/MC/g	1000 x 800 mm, for dry and wet areas	1,575
503636	Pit Frame KC/MC/s	1000 x 800 mm, for dry and wet areas	3,565
504077	Pit Frame KD/MD/g	1250 x 1000 mm, for dry areas	1,795
504078	Pit Frame KD/MD/g RS	1250 x 1000 mm, with cleaning recess at both ends (RS), for wet areas	3,275
504079	Pit Frame KE/ME/g	1500 x 1250 mm, for dry areas	1,960
504080	Pit Frame KE/ME/g RS	1500 x 1250 mm, with cleaning recess at both ends (RS), for wet areas	3,035
504512	Pit Frame KES/MES/g	1500 x 1500 mm, for dry areas	2,015
504513	Pit Frame KES/MES/g RS	1500 x 1500 mm, with cleaning recess at both ends (RS), for wet areas	3,135
504550	Pit Frame KCS/MCS/g	800 x 800 mm, for dry and wet areas	1,555
504551	Pit Frame KCS/MCS/s	800 x 800 mm, for dry and wet areas	3,555
505270	Pit Frame KEsk/MEsk/s	1500 x 1250 mm, for dry and wet areas (for KEs/MEs raisable load plate)	3,425
506399	Pit Frame KD/MD/s	1250 x 1000 mm, for dry areas	3,635
506401	Pit Frame KES/MES/s	1500 x 1500 mm, for dry areas	3,335
<b>Ramps</b>			
503638	Ramp KC/KCS/DC/DCS/g pattern	1000 x 800 mm, hot galvanized	1,680

# Commercial Shipping & Mail Scales

## BC-15

### Perfect for Mail and Parcels

#### Rugged and Reliable Design

Engineered for durability with a metal frame and 500 percent overload protection. BC Scales stand up to rough handling and heavy packages.

#### Simple Set Up and Operation

BC scales have a boot-up wizard for local gravity adjustment, Plug-and-Play connection to your PC with USB, RS232, virtual serial and Keyboard wedge.

#### Flexible and Versatile Configuration

BC Scales have default settings for the major carriers, branding logos, special messages, and value added modes.

[www.mt.com/ind-bc-scale](http://www.mt.com/ind-bc-scale)



#### Approvals

- Measurement Canada Approval AM-5960 Rev. 2
- NTEP 13-111A1

#### Communication

Virtual Serial; USB; Serial; RS232; Keyboard Wedge

#### Power

USB port; Universal adapter

#### Temperature Range

-10 °C–40 °C

#### Standard Features

- lb and kg weighing
- Interface cables: 10 ft RS232 and 10 ft USB
- GeoCal™ software
- Bi-directional RS232 and USB interface
- Adjustable and back-lit graphical display
- ABS Plastic Platter

Material Number	Material Description	Long Description	Maximum Capacity	Readability (Certified)	List Price (CAD)
30131066	BC Scale BCA-221-15U-1131-110	MT setup, plastic platter, graphical display, serial and USB communication, US power	15 kg / 30 lb	0.005 kg / 0.01 lb	898

## BC-15 Accessories

Material Number	Material Description	Order Notes	List Price (CAD)
<b>Cables</b>			
30116137	Cable remote display 14ft flat cable		83
<b>Display Interface</b>			
30125791	Assy 0271 DISP Tower MT Dual	Graphical Display Dual Tower with 10 ft cable; 1 display with nav keys and 1 without nav keys	call
30125728	Assy 0271 DISP Tower MT Primary	Graphical Display Tower 2nd Display with nav keys and with 14 ft cable	422
30125792	Assy 0271 DISP Tower MT Secondary	Graphical Display Tower 2nd Display without nav keys and with 14 ft cable	call
30125729	Assy 0271 Display Wall MT Primary	Graphical Display Single Wall Display with nav keys and with 14 ft cable	393
30125790	Assy 0271 Display Wall MT Secondary	Graphical Display Single Wall 2nd Display without nav keys and with 14 ft cable	366
<b>Platters</b>			
72999417	Plastic Platter BC-15		26
30132856	Stainless Steel Platter BC-15		251

# Commercial Shipping & Mail Scales

## BC-30

### Perfect for Mail and Parcels

#### Rugged and Reliable Design

Engineered for durability with a metal frame and 500 percent overload protection. BC Scales stand up to rough handling and heavy packages.

#### Simple Set Up and Operation

BC scales have a boot-up wizard for local gravity adjustment, and a quick connection to your PC with USB, RS232, virtual serial and Keyboard Wedge.

#### Flexible and Versatile Configuration

BC Scales have default settings for the major carriers, custom logo, branded messages, and value-added modes, such as counting for bulk mail.

[www.mt.com/ind-bc-scale](http://www.mt.com/ind-bc-scale)



#### Approvals

- Measurement Canada Approval AM-5960 Rev. 2
- NTEP 13-111A1

#### Communication

Virtual Serial; USB; Serial; RS232; Keyboard Wedge

#### Power

USB port / Universal adapter; USB port; Universal adapter

#### Temperature Range

0 °C–40 °C

#### Standard Features

- lb and kg weighing
- Interface cables: 10 ft RS232 and 10 ft USB
- GeoCal™ software
- Bi-directional RS232 and USB interface
- Adjustable and back-lit graphical display
- ABS Plastic Platter

Material Number	Material Description	Long Description	Maximum Capacity	Resolution	List Price (CAD)
30086210	BC Scale BCA-222-30U-1131-110	MT setup, plastic platter, graphical display, serial and USB communication, US power	30 kg / 70 lb	0.05 lb / 0.005 kg	1,055

## BC-30 Accessories

Material Number	Material Description	Order Notes	List Price (CAD)
<b>Cables</b>			
30116137	Cable remote display 14ft flat cable		83
<b>Display Interface</b>			
30125791	Assy 0271 DISP Tower MT Dual	Graphical Display Dual Tower with 10 ft cable; 1 display with nav keys and 1 without nav keys	call
30125728	Assy 0271 DISP Tower MT Primary	Graphical Display Tower 2nd Display with nav keys and with 14 ft cable	422
30125792	Assy 0271 DISP Tower MT Secondary	Graphical Display Tower 2nd Display without nav keys and with 14 ft cable	call
30125729	Assy 0271 Display Wall MT Primary	Graphical Display Single Wall Display with nav keys and with 14 ft cable	393
30125790	Assy 0271 Display Wall MT Secondary	Graphical Display Single Wall 2nd Display without nav keys and with 14 ft cable	366
<b>Installation Kits</b>			
30132857	KOP Counter Mount BC-30/60		call
<b>Platters</b>			
62032007	Plastic Platter		124
68002726	Stainless Steel Platter		183



# Commercial Shipping & Mail Scales

## BC-60

### Perfect for Parcels

#### Rugged and Reliable Design

Engineered for durability with a metal frame and 500 percent overload protection. BC Scales stand up to rough handling and heavy packages.

#### Simple Set Up and Operation

BC scales have a boot-up wizard for local gravity adjustment, and a quick connection to your PC with USB, RS232, virtual serial and Keyboard Wedge.

#### Flexible and Versatile Configuration

BC Scales have default settings for the major carriers, custom logo placement and branded messages and value-added modes.

[www.mt.com/ind-bc-scale](http://www.mt.com/ind-bc-scale)



#### Approvals

- Measurement Canada Approval AM-5960 Rev. 2
- NTEP 13-111A1

#### Communication

Virtual Serial; USB; RS232; Optional: Bluetooth, Ethernet; Keyboard Wedge

#### Power

USB port / Universal adapter

#### Temperature Range

0 °C–40 °C

#### Standard Features

- Stainless Steel or Ball Top Platter
- lb and kg weighing
- Interface cables: 10 ft RS232 and 10 ft USB
- GeoCal™ software
- Bi-directional RS232 and USB interface
- Adjustable and back-lit graphical display



Material Number	Material Description	Long Description	Maximum Capacity	Resolution	List Price (CAD)
30086213	BC Scale BCA-222-60U-1101-110	MT setup, stainless steel platter, graphical base display, serial and USB communication, US power	60 kg / 150 lb	0.05 lb / 0.02 kg	1,090



Material Number	Material Description	Long Description	Maximum Capacity	Resolution	List Price (CAD)
30129126	BC Scale BCA-222-60u-1141-110	MT setup, ball top platter, graphical display, serial and USB communication, US power	60 kg / 150 lb	0.05 lb / 0.02 kg	1,585



Material Number	Material Description	Long Description	Maximum Capacity	Resolution	List Price (CAD)
30237359	BC Scale BCA-222-60K-1103-110	MT setup, stainless steel platter, graphical wall display, serial and USB (Keyboard Wedge) communication, US power	60 kg / 150 lb		1,475



Material Number	Material Description	Long Description	Maximum Capacity	Resolution	List Price (CAD)
30212966	BC Scale BCA-222-60U-1101-111	MT setup, stainless steel platter, graphical display, serial and Bluetooth communication, US power	60 kg / 150 lb	0.05 lb / 0.02 kg	1,725

## Shipping & Mail Scales



Material Number	Material Description	Long Description	Maximum Capacity	Resolution	List Price (CAD)
30212967	BC Scale BCA-222-60U-1101-112	MT setup, stainless steel platter, graphical display, serial and Ethernet communication, US power **Note: Ethernet cable NOT provided	60 kg / 150 lb	0.05 lb / 0.02 kg	1,435



Material Number	Material Description	Long Description	Maximum Capacity	Resolution	List Price (CAD)
30138148	BC Scale BCA-222-60U-1103-110	MT setup, stainless steel platter, graphical wall display, serial and USB communication, US power	60 kg / 150 lb	0.05 lb / 0.02 kg	1,475

## BC-60 Accessories

Material Number	Material Description	Order Notes	List Price (CAD)
<b>Cables</b>			
30116137	Cable remote display 14ft flat cable		83
<b>Display Interface</b>			
30125791	Assy 0271 DISP Tower MT Dual	Graphical Display Dual Tower with 10 ft cable; 1 display with nav keys and 1 without nav keys	call
30125728	Assy 0271 DISP Tower MT Primary	Graphical Display Tower 2nd Display with nav keys and with 14 ft cable	422
30125792	Assy 0271 DISP Tower MT Secondary	Graphical Display Tower 2nd Display without nav keys and with 14 ft cable	call
30125729	Assy 0271 Display Wall MT Primary	Graphical Display Single Wall Display with nav keys and with 14 ft cable	393
30125790	Assy 0271 Display Wall MT Secondary	Graphical Display Single Wall 2nd Display without nav keys and with 14 ft cable	366
<b>Installation Kits</b>			
30132857	KOP Counter Mount BC-30/60		call
<b>Platters (Applies for both BC-60 and BC-6L)</b>			
62032007	Plastic Platter		124
68002726	Stainless Steel Platter		183
62010768	Roller Top Platter		464
62009622	Ball Top Platter for BC60		374

# Commercial Shipping & Mail Scales

## BC-6L

### Perfect for Mail and Parcels

#### Rugged and Reliable Design

Engineered for durability with a metal frame and 500 percent overload protection. BC Scales stand up to rough handling and heavy packages.

#### Simple Set Up and Operation

BC scales have local gravity adjustment, Plug-and-Play connection to your PC with USB or RS232 connection, and are ready to use with postal software

#### Flexible and Versatile Configuration

BC Scales have default settings for the major carriers, branding logos, special messages, and value added modes.

[www.mt.com/ind-bc-scale](http://www.mt.com/ind-bc-scale)



#### Approvals

- NTEP 13-111A1
- Not approved in Canada

#### Communication

Virtual Serial; USB; RS232; Keyboard Wedge

#### Power

USB port; Universal adapter

#### Temperature Range

14 °F–104 °F

#### Standard Features

- Stainless Steel Platter
- lb and kg weighing
- Interface cables: 10 ft RS232 and 10 ft USB
- GeoCal™ software
- Bi-directional RS232 and USB interface
- Adjustable and back-lit graphical display

Material Number	Material Description	Long Description	Maximum Capacity	Resolution	List Price (CAD)
30086217	BC Scale BCA-222-6LU-1501-110	Hi-Resolution Postal scale, MT setup, stainless steel platter, graphical display, serial and USB communication, US power	5 kg; 30 kg; 60 kg	0.1 oz; 0.2 oz; 0.5 oz	1,495

## BC-6L Accessories

Material Number	Material Description	Order Notes	List Price (CAD)
<b>Cables</b>			
30116137	Cable remote display 14ft flat cable		83
<b>Display Interface</b>			
30125791	Assy 0271 DISP Tower MT Dual	Graphical Display Dual Tower with 10 ft cable; 1 display with nav keys and 1 without nav keys	call
30125728	Assy 0271 DISP Tower MT Primary	Graphical Display Tower 2nd Display with nav keys and with 14 ft cable	422
30125792	Assy 0271 DISP Tower MT Secondary	Graphical Display Tower 2nd Display without nav keys and with 14 ft cable	call
30125729	Assy 0271 Display Wall MT Primary	Graphical Display Single Wall Display with nav keys and with 14 ft cable	393
30125790	Assy 0271 Display Wall MT Secondary	Graphical Display Single Wall 2nd Display without nav keys and with 14 ft cable	352
<b>Installation Kits</b>			
30132857	KOP Counter Mount BC-30/60		call
<b>Miscellaneous</b>			
62010768	BC/PS60 CONVEYOR/ROLLER TOP PLATTER		464

# Commercial Shipping & Mail Scales

## BC-150

### Perfect for Parcels

#### Rugged and Reliable Design

Engineered for durability with a metal frame and 500 percent overload protection. BC Scales stand up to rough handling and heavy packages.

#### Simple Set Up and Operation

BC scales have a boot-up wizard for local gravity adjustment, Plug-and-Play connection to your PC with USB, RS232, virtual serial and Keyboard wedge.

#### Flexible and Versatile Configuration

BC Scales have default settings for the major carriers, branding logos, special messages, and value added modes.

[www.mt.com/ind-bc-scale](http://www.mt.com/ind-bc-scale)



#### Approvals

- Measurement Canada Approval AM-5960 Rev. 2
- NTEP 13-111A1

#### Communication

Virtual Serial; USB; RS232; Optional: Bluetooth, Ethernet, Virtual Serial; Keyboard Wedge

#### Power

USB port; Universal adapter

#### Temperature Range

0 °C–40 °C

#### Standard Features

- Stainless Steel, Ball Top or Roller Platter
- lb and kg weighing
- Interface cables: 10 ft RS232 and 10 ft USB
- GeoCal™ software
- Bi-directional RS232 and USB interface
- Adjustable and back-lit graphical display



Material Number	Material Description	Long Description	Maximum Capacity	Resolution	List Price (CAD)
30133658	BC Scale BCA-223-150U-1196-110	Steel tubular MT setup, no platter, base/wall graphical display, serial and USB communication, US power	60 kg; 150 kg / 150 lb; 300 lb		1,525



Material Number	Material Description	Long Description	Maximum Capacity	Resolution	List Price (CAD)
30138068	BC Scale BCA-223-150U-1106-110	Steel tubular MT setup, stainless steel platter, base/wall graphical display, serial and USB communication, US power	60 kg; 150 kg / 150 lb; 300 lb		1,705



Material Number	Material Description	Long Description	Maximum Capacity	Resolution	List Price (CAD)
30138069	BC Scale BCA-223-150U-1146-110	Steel tubular MT setup, ball top platter, base/wall graphical display, serial and USB communication, US power	60 kg; 150 kg / 150 lb; 300 lb		2,280



Material Number	Material Description	Long Description	Maximum Capacity	Resolution	List Price (CAD)
30138143	BC Scale BCA-223-150U-1156-110	Steel tubular MT setup, roller top platter, base/wall graphical display, serial and USB communication, US power	60 kg; 150 kg / 150 lb; 300 lb		2,250



Material Number	Material Description	Long Description	Maximum Capacity	Resolution	List Price (CAD)
30212968	BC Scale BCA-223-150U-1196-111	Steel tubular MT setup, no platter, base/wall graphical display, serial and Bluetooth communication, US power	60 kg; 150 kg / 150 lb; 300 lb		1,830



Material Number	Material Description	Long Description	Maximum Capacity	Resolution	List Price (CAD)
30247882	BC Scale BCA-223-150U-1156-112	Steel tubular MT setup, roller top platter, base/wall graphical display, serial and Ethernet communication, US power. **Note: Ethernet cable NOT provided	60 kg; 150 kg / 150 lb; 300 lb		2,530



Material Number	Material Description	Long Description	Maximum Capacity	Resolution	List Price (CAD)
30212969	BC Scale BCA-223-150U-1196-112	Steel tubular MT setup, no platter, base/wall graphical display, serial and Ethernet communication, US power. **Note: Ethernet cable NOT provided	60 kg; 150 kg / 150 lb; 300 lb		1,775



Material Number	Material Description	Long Description	Maximum Capacity	Resolution	List Price (CAD)
30261549	BC Scale BCA-223-150U-1106-112 Ether	Steel tubular MT setup, stainless steel platter, base/wall graphical display, serial and Ethernet communication, US power. **Note: Ethernet cable NOT provided	60 kg; 150 kg / 150 lb; 300 lb		2,005



Material Number	Material Description	Long Description	Maximum Capacity	Resolution	List Price (CAD)
30261561	BC Scale BCA-223-150U-1146-112 Ether	Steel tubular MT setup, ball top platter, dual base/wall graphical display, serial and Ethernet communication, US power. **Note: Ethernet cable NOT provided	60 kg; 150 kg / 150 lb; 300 lb		2,580

## BC-150 Accessories

Material Number	Material Description	Order Notes	List Price (CAD)
<b>Cables</b>			
30116137	Cable remote display 14ft flat cable		83
<b>Display Interface</b>			
30125791	Assy 0271 DISP Tower MT Dual	Graphical Display Dual Tower with 10 ft cable; 1 display with nav keys and 1 without nav keys	call
30125728	Assy 0271 DISP Tower MT Primary	Graphical Display Tower 2nd Display with nav keys and with 14 ft cable	422
30125792	Assy 0271 DISP Tower MT Secondary	Graphical Display Tower 2nd Display without nav keys and with 14 ft cable	call
30125729	Assy 0271 Display Wall MT Primary	Graphical Display Single Wall Display with nav keys and with 14 ft cable	393
30125790	Assy 0271 Display Wall MT Secondary	Graphical Display Single Wall 2nd Display without nav keys and with 14 ft cable	366
<b>Platters</b>			
62010770	Stainless Steel Platter		213
62010771	Roller Top Platter for BC150/PS90		830
62010772	Ball Top Platter for BC150/PS90		905



# Applied Compression Weigh Modules

## SWB605 PowerMount



### Safe by Design, High Accuracy

#### PowerMount - the Ultimate Protection

The PowerMount system provides unsurpassed accuracy, reliability, and predictive diagnostics without high maintenance junction boxes.

#### Reliability to Protect Profits

PowerMount weigh modules take reliability to a new level to protect your profits and ensure your scale weighs accurately day after day

#### Predictive Diagnostics

The PowerMount system provides predictive diagnostics to keep you continuously informed about your scale and reduce operating costs.

[www.mt.com/ind-powermount](http://www.mt.com/ind-powermount)



#### Load Cell

SLB615D

#### Protection Rating

IP68 NEMA 6/6P

#### Standard Features

- Same Mechanical features as SWB505 MultiMount
- SafeLock™ assists with installation and maintenance
- Rocker-Pin suspension for highest accuracy
- Predictive Maintenance
- No Junction Box – Increased system reliability
- No Deadstands needed due to SafeLock™
- Easy Load cell exchange – No re-calibration needed
- Capacity Range: 220kg to 4.4t
- Built-in anti-uplift bolt
- 360° checking
- Utilizes PDX technology and communication. Requires a PDX terminal

Material Number	Material Description	Maximum Capacity	Material	Metrology	Hazardous Approval	List Price (CAD)
30090741	Weigh Module SWB605 CS 220kg C3	220 kg / 500 lb	Zinc plated steel	NTEP III 5,000d; OIML C3	ATEX; FM (Div 2 Only)	2,035
30090753	Weigh Module SWB605 CS 220kg C6			NTEP III 10,000d; OIML C6		2,430
30096881	Weigh Module SWB605 CS 220kg C10			OIML C10		3,165
30090742	Weigh Module SWB605 SS 220kg C3		304 Stainless steel	NTEP III 5,000d; OIML C3		2,605
30090754	Weigh Module SWB605 SS 220kg C6			NTEP III 10,000d; OIML C6		2,990
30096882	Weigh Module SWB605 SS 220kg C10			OIML C10		3,635
30090743	Weigh Module SWB605 316 220kg C3		316 Stainless steel	NTEP III 5,000d; OIML C3		3,165
30090755	Weigh Module SWB605 316 220kg C6			NTEP III 10,000d; OIML C6		3,555
30096883	Weigh Module SWB605 316 220kg C10			OIML C10		4,290
30090744	Weigh Module SWB605 CS 550kg C3	550 kg / 1250 lb	Zinc plated steel	NTEP III 5,000d; OIML C3	2,035	
30090756	Weigh Module SWB605 CS 550kg C6			NTEP III 10,000d; OIML C6	2,430	
30096884	Weigh Module SWB605 CS 550kg C10			OIML C10	3,165	
30090745	Weigh Module SWB605 SS 550kg C3		304 Stainless steel	NTEP III 5,000d; OIML C3	2,605	
30090757	Weigh Module SWB605 SS 550kg C6			NTEP III 10,000d; OIML C6	2,990	
30096885	Weigh Module SWB605 SS 550kg C10			OIML C10	3,635	

# Weigh Modules

Material Number	Material Description	Maximum Capacity	Material	Metrology	Hazardous Approval	List Price (CAD)
30090746	Weigh Module SWB605 316 550kg C3	550 kg / 1,212 lb	316 Stainless steel	NTEP III 5,000d; OIML C3	ATEX; FM (Div 2 Only)	3,165
30090758	Weigh Module SWB605 316 550kg C6			NTEP III 10,000d; OIML C6		3,555
30096886	Weigh Module SWB605 316 550kg C10			OIML C10		4,290
30090747	Weigh Module SWB605 CS 1.1t C3	1,100 kg / 2500 lb	Zinc plated steel	NTEP III 5,000d; OIML C3		2,035
30090759	Weigh Module SWB605 CS 1.1t C6			NTEP III 10,000d; OIML C6		2,430
30096887	Weigh Module SWB605 CS 1.1t C10			OIML C10		3,165
30090748	Weigh Module SWB605 SS 1.1t C3	1,100 kg / 2500 lb	304 Stainless steel	NTEP III 5,000d; OIML C3		2,605
30090760	Weigh Module SWB605 SS 1.1t C6			NTEP III 10,000d; OIML C6		2,990
30096888	Weigh Module SWB605 SS 1.1t C10			OIML C10		3,635
30090749	Weigh Module SWB605 316 1.1t C3	1,100 kg / 2500 lb	316 Stainless steel	NTEP III 5,000d; OIML C3		3,165
30090761	Weigh Module SWB605 316 1.1t C6			NTEP III 10,000d; OIML C6		3,555
30096889	Weigh Module SWB605 316 1.1t C10			OIML C10		4,290
30090750	Weigh Module SWB605 CS 2.2t C3	2,200 kg / 5000 lb	Zinc plated steel	NTEP III 5,000d; OIML C3	2,120	
30090762	Weigh Module SWB605 CS 2.2t C6			NTEP III 10,000d; OIML C6	2,570	
30096890	Weigh Module SWB605 CS 2.2t C10			OIML C10	3,345	
30090751	Weigh Module SWB605 SS 2.2t C3	2,200 kg / 5000 lb	304 Stainless steel	NTEP III 5,000d; OIML C3	2,680	
30090763	Weigh Module SWB605 SS 2.2t C6			NTEP III 10,000d; OIML C6	3,135	
30096891	Weigh Module SWB605 SS 2.2t C10			OIML C10	3,810	
30090752	Weigh Module SWB605 316 2.2t C3	2,200 kg / 5000 lb	316 Stainless steel	NTEP III 5,000d; OIML C3	3,250	
30090764	Weigh Module SWB605 316 2.2t C6			NTEP III 10,000d; OIML C6	3,695	
30096892	Weigh Module SWB605 316 2.2t C10			OIML C10	4,480	
30090765	Weigh Module SWB605 CS 4.4t C3	4,400 kg / 10,000 lb	Zinc plated steel	NTEP III 5,000d; OIML C3	2,680	
30090768	Weigh Module SWB605 CS 4.4t C6			NTEP III 10,000d; OIML C6	3,135	
30090766	Weigh Module SWB605 SS 4.4t C3			304 Stainless steel	NTEP III 5,000d; OIML C3	3,545
30090769	Weigh Module SWB605 SS 4.4t C6	NTEP III 10,000d; OIML C6	3,980			
30090767	Weigh Module SWB605 316 4.4t C3	316 Stainless steel	NTEP III 5,000d; OIML C3		4,800	
30090770	Weigh Module SWB605 316 4.4t C6		NTEP III 10,000d; OIML C6	5,230		



## SWB605 PowerMount Accessories

Please see the SWB505 Multimount accessories page for more Powermount accessories. All but the conduit adapter work for the powermount.

Material Number	Material Description	Order Notes	List Price (CAD)
<b>SLB615D</b>			
72261204	Load Cell SLB615D-220kg C10		2,130
72261196	Load Cell SLB615D-220kg C3/IIIM n:5		1,005
72261209	Load Cell SLB615D-220kg C6/IIIM n:10		1,390
72261205	Load Cell SLB615D-550kg C10		2,130
72261197	Load Cell SLB615D-550kg C3/IIIM n:5		1,005
72261210	Load Cell SLB615D-550kg C6/IIIM n:10		1,390
72261206	Load Cell SLB615D-1.1t C10		2,130
72261198	Load Cell SLB615D-1.1t C3/IIIM n:5		990
72261211	Load Cell SLB615D-1.1t C6/IIIM n:10		1,405
72261207	Load Cell SLB615D-2.2t C10		2,300
72261199	Load Cell SLB615D-2.2t C3/IIIM n:5		1,075
72261212	Load Cell SLB615D-2.2t C6/IIIM n:10		1,525
72261200	Load Cell SLB615D-4.4t C3/IIIM n:5		1,365
72261195	Load Cell SLB615D-4.4t C6/IIIM n:10		1,820
<b>SWB605 PowerMount Cables</b>			
30207546	Cable Kit, 2.5m (3-Cell); Qty 2 Y-cables and Termination resistor		call
30765515	Cable Kit, 5m (3-Cell); Qty 2 Y-cables and Termination resistor		473
30765516	Cable Kit, 10m (3-Cell); Qty 2 Y-cables and Termination resistor		710
30207547	Cable Kit, 2.5m (4-Cell); Qty 3 Y-cables and Termination resistor		call
30765517	Cable Kit, 5m (4-Cell); Qty 3 Y-cables and Termination resistor		710
30765518	Cable Kit, 10m (4-Cell); Qty 3 Y-cables and Termination resistor		1,005
30765519	Home Run Cable 5m		215
30208862	Home Run Cable 10m		316
30765520	Home Run Cable 15m		399
30765521	Home Run Cable 20m		510
30095713	Home Run Cable 30m		755
30095714	Home Run Cable 50m		1,155
30207923	Cable Termination Resistor		39
30095636	SLB615D Extension Cable 5m		202
30095637	SLB615D Extension Cable 10m		327
30207922	Cable, 2.5m Y-Cable		call
30765513	Cable, 5m Y-Cable		229
30765514	Cable, 10m Y-Cable		342

# Applied Compression Weigh Modules

## SWB505 Multimount



### Economic System Integration

#### Static & Dynamic Weighing

Multipurpose weigh module provides the highest accuracy for both static and dynamic applications. Self-aligning rocker pin ensures repeatability.

#### Safety & Protection

Features include 360° checking, built-in anti-uplift and down stops, hazardous area approvals & IP68 stainless steel load cell. Peace of mind.

#### Ease of Installation/Service

Product is aligned for installation & transition to weighing mode is easy. Minimal lift required to remove load cell.

[www.mt.com/ind-multimount](http://www.mt.com/ind-multimount)



Order Note: Junction Boxes must be ordered separately

<b>Protection Rating</b>	IP68 NEMA 6/6P
<b>Metrology</b>	OIML C3; NTEP III 5M
<b>Hazardous Approval</b>	FM; cFM; ATEX
<b>Standard Features</b>	<ul style="list-style-type: none"> <li>• 360° checking</li> <li>• No Deadstands needed due to SafeLock™</li> <li>• SafeLock™ assists with installation and maintenance</li> <li>• Built-in anti-uplift bolt</li> <li>• Rocker-Pin suspension for highest accuracy</li> </ul>



Material Number	Material Description	Maximum Capacity	Load Cell	Material	List Price (CAD)
30040372	Weigh Module SWB505 CS 5kg	11 lb / 5 kg	MTB, 3 m cable	Zinc plated steel	1,145
30040863	Weigh Module SWB505 SS 5kg			Stainless Steel V2A (AISI 304)	1,505
30040920	Weigh Module SWB505 316 5kg			Stainless Steel V4A (AISI 316)	1,970
30040373	Weigh Module SWB505 CS 10kg	22 lb / 10 kg		Zinc plated steel	1,145
30040864	Weigh Module SWB505 SS 10kg			Stainless Steel V2A (AISI 304)	1,505
30040921	Weigh Module SWB505 316 10kg			Stainless Steel V4A (AISI 316)	1,970
30040374	Weigh Module SWB505 CS 20kg	44 lb / 20 kg		Zinc plated steel	1,145
30040865	Weigh Module SWB505 SS 20kg			Stainless Steel V2A (AISI 304)	1,505
30040922	Weigh Module SWB505 316 20kg			Stainless Steel V4A (AISI 316)	1,970
30219963	Weigh Module SWB505 CS 30kg C6	66 lb / 30 kg		Zinc plated steel	1,485
30219968	Weigh Module SWB505 SS 30kg C6			Stainless Steel V2A (AISI 304)	1,915
30219973	Weigh Module SWB505 SS316 30kg C6			316 Stainless steel	2,520
30040375	Weigh Module SWB505 CS 50kg	110 lb / 50 kg		Zinc plated steel	1,250
30040866	Weigh Module SWB505 SS 50kg			Stainless Steel V2A (AISI 304)	1,505
30040923	Weigh Module SWB505 316 50kg			Stainless Steel V4A (AISI 316)	1,970
30219964	Weigh Module SWB505 CS 50kg C6			Zinc plated steel	1,485
30219969	Weigh Module SWB505 SS 50kg C6			Stainless Steel V2A (AISI 304)	1,915
30219974	Weigh Module SWB505 SS316 50kg C6			316 Stainless steel	2,520



Material Number	Material Description	Maximum Capacity	Load Cell	Material	List Price (CAD)
30040376	Weigh Module SWB505 CS 100kg	220 lb / 100 kg	MTB, 3 m cable	Zinc plated steel	1,335
30040867	Weigh Module SWB505 SS 100kg			Stainless Steel V2A (AISI 304)	1,715
30040924	Weigh Module SWB505 316 100kg			Stainless Steel V4A (AISI 316)	2,240
30219965	Weigh Module SWB505 CS 100kg C6			Zinc plated steel	1,635
30219970	Weigh Module SWB505 SS 100kg C6			Stainless Steel V2A (AISI 304)	2,175
30219975	Weigh Module SWB505 SS316 100kg C6			316 Stainless steel	2,840
30040861	Weigh Module SWB505 CS 200kg	440 lb / 200 kg		Zinc plated steel	1,285
30040868	Weigh Module SWB505 SS 200kg			Stainless Steel V2A (AISI 304)	1,715
30040925	Weigh Module SWB505 316 200kg			Stainless Steel V4A (AISI 316)	2,240
30219966	Weigh Module SWB505 CS 200kg C6			Zinc plated steel	1,635
30219971	Weigh Module SWB505 SS 200kg C6			Stainless Steel V2A (AISI 304)	2,175
30219976	Weigh Module SWB505 SS316 200kg C6			316 Stainless steel	2,840
30040862	Weigh Module SWB505 CS 300kg	660 lb / 300 kg		Zinc plated steel	1,285
30040869	Weigh Module SWB505 SS 300kg			Stainless Steel V2A (AISI 304)	1,715
30040926	Weigh Module SWB505 316 300kg			Stainless Steel V4A (AISI 316)	2,240
30219967	Weigh Module SWB505 CS 300kg C6			Zinc plated steel	1,635
30219972	Weigh Module SWB505 SS 300kg C6			Stainless Steel V2A (AISI 304)	2,175
30219977	Weigh Module SWB505 SS316 300kg C6			316 Stainless steel	2,840
61043206	Weigh Module SWB505 CS Size 2	250 lb / 110 kg	0745A; 15 ft (4.5m) cable	Carbon Steel; Zinc plated steel	1,635
61043215	Weigh Module SWB505 SS Size 2			Stainless Steel V2A (AISI 304)	2,240
61046391	Weigh Module SWB505 316 Size 2			Stainless Steel V4A (AISI 316)	2,895
61043207	Weigh Module SWB505 CS Size 2	500 lb / 220 kg	0745A; 15 ft (4.5m) cable	Carbon Steel; Zinc plated steel	1,635
30096895	Weigh Module SWB505 CS Size 2 C6		0745A; 5m (16.6ft) cable	Carbon Steel; Zinc plated steel	2,250
61043216	Weigh Module SWB505 SS Size 2		0745A; 15 ft (4.5m) cable	Stainless Steel V2A (AISI 304)	2,240
30131902	Weigh Module SWB505 SS Size 2 C6		0745A; 5m (16.6ft) cable	Stainless Steel V2A (AISI 304)	2,950
61046392	Weigh Module SWB505 316 Size 2		0745A; 15 ft (4.5m) cable	Stainless Steel V4A (AISI 316)	2,895
30131907	Weigh Module SWB505 316 Size 2 C6		0745A; 5m (16.6ft) cable	Stainless Steel V4A (AISI 316)	3,735

# Weigh Modules



Material Number	Material Description	Maximum Capacity	Load Cell	Material	List Price (CAD)
61046393	Weigh Module SWB505 316 Size 2	1,250 lb / 550 kg	0745A; 15 ft (4.5m) cable	Stainless Steel V4A (AISI 316)	2,895
30131908	Weigh Module SWB505 316 Size 2 C6		0745A; 5m (16.6ft) cable		3,735
61043208	Weigh Module SWB505 CS Size 2		0745A; 15 ft (4.5m) cable	Carbon Steel; Zinc plated steel	1,635
30096896	Weigh Module SWB505 CS Size 2 C6		0745A; 5m (16.6ft) cable		2,250
61043217	Weigh Module SWB505 SS Size 2		0745A; 15 ft (4.5m) cable	Stainless Steel V2A (AISI 304)	2,280
30131903	Weigh Module SWB505 SS Size 2 C6		0745A; 5m (16.6ft) cable		2,950
61043209	Weigh Module SWB505 CS Size 2	2,500 lb / 1,100 kg	0745A; 15 ft (4.5m) cable	Carbon Steel; Zinc plated steel	1,635
30096897	Weigh Module SWB505 CS Size 2 C6		0745A; 5m (16.6ft) cable		2,250
61043218	Weigh Module SWB505 SS Size 2		0745A; 15 ft (4.5m) cable	Stainless Steel V2A (AISI 304)	2,280
30131904	Weigh Module SWB505 SS Size 2 C6		0745A; 5m (16.6ft) cable		2,950
61046394	Weigh Module SWB505 316 Size 2		0745A; 15 ft (4.5m) cable	Stainless Steel V4A (AISI 316)	2,895
30131909	Weigh Module SWB505 316 Size 2 C6		0745A; 5m (16.6ft) cable		3,735
61043210	Weigh Module SWB505 CS Size 2	5,000 lb / 2,200 kg	0745A; 15 ft (4.5m) cable	Carbon Steel; Zinc plated steel	1,680
30096898	Weigh Module SWB505 CS Size 2 C6		0745A; 5m (16.6ft) cable		2,250
61043219	Weigh Module SWB505 SS Size 2		0745A; 15 ft (4.5m) cable	Stainless Steel V2A (AISI 304)	2,280
30131905	Weigh Module SWB505 SS Size 2 C6		0745A; 5m (16.6ft) cable		2,950
61046395	Weigh Module SWB505 316 Size 2		0745A; 15 ft (4.5m) cable	Stainless Steel V4A (AISI 316)	2,980
30131910	Weigh Module SWB505 316 Size 2 C6		0745A; 5m (16.6ft) cable		3,735
61043211	Weigh Module SWB505 CS 4.4T/10K Size 3	10,000 lb / 4,400 kg	0745A; 30 ft (9.1m) cable	Carbon Steel; Zinc plated steel	2,015
30131911	Weigh Module SWB505 CS 4.4T/10K Size 3 C6		0745A; 33 ft (10m) cable	Carbon Steel; Zinc plated steel	2,700
61043220	Weigh Module SWB505 SS 4.4T/10K Size 3		0745A; 30 ft (9.1m) cable	Stainless Steel V2A (AISI 304)	2,905
30131912	Weigh Module SWB505 SS 4.4T/10K Size 3 C6		0745A; 33 ft (10m) cable	Stainless Steel V2A (AISI 304)	3,680
61046396	Weigh Module SWB505 316 4.4T/10K Size 3		0745A; 30 ft (9.1m) cable	Stainless Steel V4A (AISI 316)	4,100
30131913	Weigh Module SWB505 316 4.4T/10K Size 3 C6		0745A; 33 ft (10m) cable	Stainless Steel V4A (AISI 316)	5,325

## SWB505 Multimount &amp; SWB605 Powermount Accessories

Material Number	Material Description	Order Notes	List Price (CAD)
<b>Weigh Module Accessories</b>			
61010624	Dead Stand 0958/SWB505 CS S2 ZN	Passive support for level control systems, zinc plated carbon steel, 110-2200kg	499
61010625	Dead Stand 0958/SWB505 CS S3 ZN	Passive support for level control systems, zinc plated carbon steel, 4400kg	755
61046402	Dead Stand 0958/SWB505 SS S2 EP	Passive support for level control systems, stainless steel, 110-2200kg	1,065
61046407	Dead Stand 0958/SWB505 SS S3	Passive support for level control systems, stainless steel, 4400kg	1,355
61046403	Dead Stand SWB505 316 S2	Passive support for level control systems, 316 stainless steel, 110-2200kg	1,365
61046408	Dead Stand SWB505 316 S3	Passive support for level control systems, 316 stainless steel, 4400kg	1,795
30025913	Dead Stand SWB505 MM 316 5-300kg S1	Passive support for level control systems, 316 stainless	356
30025909	Dead Stand SWB505 MM SS 5-300kg S1	Passive support for level control systems, stainless	299
30040932	Shock/Vib Pad SWB505 MM 5-300kg S1	Shock absorption pad for MultiMount, 5-300kg	165
61046401	Stabilizer SWB505 316 S2	Stabilizer for fixing tank, conveyor for fast weighing results, 316 stainless steel	237
61046406	Stabilizer SWB505 316 S3	Stabilizer for fixing tank, conveyor for fast weighing results, 316 stainless steel	289
61046399	Stabilizer SWB505 CS S2	Stabilizer for fixing tank, conveyor for fast weighing results, carbon steel	145
61046404	Stabilizer SWB505 CS S3	Stabilizer for fixing tank, conveyor for fast weighing results, carbon steel	174
30040931	Stabilizer SWB505 MM 316 5-300kg	Stabilizer for fixing tank, conveyor for fast weighing results, 316 stainless steel	202
30040930	Stabilizer SWB505 MM SS 5-300kg	Stabilizer for fixing tank, conveyor for fast weighing results, stainless steel	187
61046400	Stabilizer SWB505 SS S2	Stabilizer for fixing tank, conveyor for fast weighing results, stainless steel	202
61046405	Stabilizer SWB505 SS S3	Stabilizer for fixing tank, conveyor for fast weighing results, stainless steel	251
30040935	Therm Pad 170C SWB505 MM 5-300kg S1	Thermal pad for MultiMount, 5-300kg	525
30040933	Therm Pad 80C SWB505 MM 5-300kg S1	Thermal pad for MultiMount, 5-300kg	256
61024642	Thermal Pad SWB505 S2 170C 1.00 IN	Thermal pad for MultiMount from 110 - 2200 kg	700
61010620	Thermal Pad SWB505 S2 80C 1.00 IN	Thermal pad for MultiMount from 110 - 2200 kg	167
61037510	Thermal Pad SWB505 S3 170C 1.00 IN	Thermal pad for MultiMount 4400 kg	1,110
61010621	Thermal Pad SWB505 S3 80C 1.00 IN	Thermal pad for MultiMount 4400 kg	271
61005938	Vibration Pad 0958 10K 1.00 IN	Shock absorption pad for MultiMount, 4400 kg	364
61005965	Vibration Pad 0958 5K 1.00 IN	Shock absorption pad for MultiMount, FlexMount and Centerlign 110 - 2200 kg	216
30095581	Conduit Adapter (for multimount only)	Conduit fitting on back of 0745A load cell	13
30095639	Cable Gland 6-8mm SLB615D IND780 PDX	This cable gland is always required when interfacing an SWB605 with an IND780	83
30220018	SWB505 & SWB605 Service Kit with all sizes, includes case	includes jacking tools and centering gauges for all sizes	395

# Applied Compression Weigh Modules

## SWB805 Hygienic MultiMount™



### Certified Hygienic Solution

#### Fully Compliant

NSF® approval; designed in accordance with EHEDG guidelines and hygienic design principles.

#### Contamination Free

Mirror polished surfaces, laser-etched, elimination of flat surfaces and metal-to-metal contact ensures contaminants have no place to hide.

#### Safety & Protection

Features include 360° checking, built-in anti-uplift, hazardous area approvals & IP68/69k stainless steel load cell.



Order Note: Junction Boxes must be ordered separately






<b>Protection Rating</b>	P68/69k
<b>Metrology</b>	OIML C3; NTEP III 5M
<b>Hazardous Approval</b>	FM; cFM; ATEX
<b>Standard Features</b>	<ul style="list-style-type: none"> <li>• 360° checking, anti-uplift protection</li> <li>• SafeLock™ assists with installation and maintenance</li> <li>• Self-Aligning suspension for highest accuracy</li> </ul>

Material Number	Material Description	Rated Capacity	Metrology Approvals	Load Cell	Material	List Price (CAD)
30335568	WEIGH MODULE SWB805 304 110KG/250LB 0.03	250 lb (110 kg)	None	SLB815 / 5m	Stainless Steel V2A (AISI 304)	2,473
30335569	WEIGH MODULE SWB805 304 220KG/500LB C3	500 lb (220 kg)	NTEP III M (5,000d) OIML C3 (3,000d)			2,473
30335570	WEIGH MODULE SWB805 304 550KG/1.25K C3	1,250 lb (550 kg)				2,473
30295792	WEIGH MODULE SWB805 304 1.1T/2.5K C3	2,500 lb (1,250 kg)				2,473
30131952	WEIGH MODULE SWB805 304 2.2T/5K C3	5,000 lb (2,200 kg)				2,473
30248301	WEIGH MODULE SWB805 304 4.4T/10K C1	10,000 lb (4,400 kg)			NTEP III M (1,600d) OIML C1 (1,000d)	3,417
30335571	WEIGH MODULE SWB805 316 110KG/250LB 0.03	250 lb (110 kg)	None		Stainless Steel V4A (AISI 316)	3,013
30335572	WEIGH MODULE SWB805 316 220KG/500LB C3	500 lb (220 kg)	NTEP III M (5,000d) OIML C3 (3,000d)			3,013
30335573	WEIGH MODULE SWB805 316 550KG/1.25K C3	1,250 lb (550 kg)				3,013
30295827	WEIGH MODULE SWB805 316 1.1T/2.5K C3	2,500 lb (1,250 kg)				3,013
30295804	WEIGH MODULE SWB805 316 2.2T/5K C3	5,000 lb (2,200 kg)		3,013		
30335576	WEIGH MODULE SWB805 316 4.4T/10K C1	10,000 lb (4,400 kg)		NTEP III M (1,600d) OIML C1 (1,000d)		4,562

## SWB805 Hygienic MultiMount™ Accessories

Material Number	Material Description	Order Notes	List Price (USD)
<b>Hygienic Junction box</b>			
30219978	Hygienic Junction Box AJB941M IP69K	Supplied with (3) 50mm stand-offs for installation	1,035
<b>Bottom Mounting Kits – Concrete (For use with customer supplied anchor bolts)</b>			
30382110	Bottom Concrete Kit SWB805 - 2.2t	M10 thread Hygienic Nut (4) For weigh modules up to and including 5,000 lb (2,200 kg)	137
30382111	Bottom Concrete Kit SWB805 - 4.4t	M16 thread Hygienic Nut (4) For 10,000 lb (4,400 kg) module only	456
<b>Bottom Mounting Kits – Threaded (For use with customer supplied threaded ground plate)</b>			
30382100	Bottom Threaded Kit SWB805 - 2.2t	(2) M10x30, (2) M10x35 Hygienic Bolt, (1) Bottom Seal Shim For weigh modules up to and including 5,000 lb (2,200 kg)	215
30382106	Bottom Threaded Kit SWB805 - 4.4t	(2) M16x40, (2) M16x50 Hygienic Bolt, Bottom Seal Shim For 10,000 lb (4,400 kg) module only	358
<b>Bottom Mounting Kits – Through Hole (For use with customer supplied plate, through holes)</b>			
30382101	Bottom Thr-Hole Kit SWB805 F7-10 2.2t	For flange thickness of 7-10mm (4) M10 Hygienic Nut, (4) Seal Washer, (1) Bottom Seal Shim (2) M10x40, (2) M10x45 Hygienic Bolts For weigh modules up to and including 5,000 lb (2,200 kg)	489
30382102	Bottom Thr-Hole Kit SWB805 F10-15 2.2t	For flange thickness of 10-15mm (4) M10 Hygienic Nut, (4) Seal Washer, (1) Bottom Seal Shim (2) M10x40, (2) M10x50 Hygienic Bolts For weigh modules up to and including 5,000 lb (2,200 kg)	502
30382103	Bottom Thr-Hole Kit SWB805 F15-20 2.2t	For flange thickness of 15-20mm (4) M10 Hygienic Nut, (4) Seal Washer, (1) Bottom Seal Shim (2) M10x45, (2) M10x55 Hygienic Bolts For weigh modules up to and including 5,000 lb (2,200 kg)	515
30382104	Bottom Thr-Hole Kit SWB805 F20-25 2.2t	For flange thickness of 20-25mm (4) M10 Hygienic Nut, (4) Seal Washer, (1) Bottom Seal Shim (2) M10x50, (2) M10x60 Hygienic Bolts For weigh modules up to and including 5,000 lb (2,200 kg)	528
30382107	Bottom Thr-Hole Kit SWB805 F7-16 4.4t	For flange thickness of 7-16mm (4) M16 Hygienic Nut, (4) Seal Washer, (1) Bottom Seal Shim (2) M16x50, (2) M16x60 Hygienic Bolts For 10,000 lb (4,400 kg) module only	1,204
30382108	Bottom Thr-Hole Kit SWB805 F16-26 4.4t	For flange thickness of 16-26mm (4) M16 Hygienic Nut, (4) Seal Washer, (1) Bottom Seal Shim (2) M16x60, (2) M16x70 Hygienic Bolts For 10,000 lb (4,400 kg) module only	1,237
30382109	Bottom Thr-Hole Kit SWB805 F26-32 4.4t	For flange thickness of 26-36mm (4) M16 Hygienic Nut, (4) Seal Washer, (1) Bottom Seal Shim (2) M16x70, (2) M16x80 Hygienic Bolts For 10,000 lb (4,400 kg) module only	1,282
<b>Bottom Mounting Kits – Welding Kit (For use with customer supplied plate for welding mount)</b>			
30382099	Bottom Welding Kit SWB805 +H16 - 2.2t	Kit adds 16mm to module height dimension (1) Base Spacer, (1) Bottom Seal Shim (2) M10x30, (2)M10x35 Hygienic Bolts For weigh modules up to and including 5,000 lb (2,200 kg)	456
30382105	Bottom Welding Kit SWB805 +H20 - 4.4t	Kit adds 20mm to module height dimension (1) Base Spacer, (1) Bottom Seal Shim (2) M16x40, (2) M16x50 Hygienic Bolts For 10,000 lb (4,400 kg) module only	814



Material Number	Material Description	Order Notes	List Price (USD)
<b>Top Mounting Kits – Threaded (For use with threaded structure attachment)</b>			
	30382089	Top Threaded Kit SWB805 -2.2t (4) M10x30 Hygienic Bolts and Washers, (1) Top Seal Shim For weigh modules up to and including 5,000 lb (2,200 kg)	215
	30382095	Top Threaded Kit SWB805 4.4t For weigh modules up to and including 5,000 lb (2,200 kg)	358
<b>Top Mounting Kits – Through Hole (For use with through hole structure attachment)</b>			
	30382090	Top Thr-Hole Kit SWB805 F3 - 8 2.2t For flange thickness of 3-8mm (4) M10 Hygienic Nut, (8) Seal Washer, (1) Top Seal Shim (4) M10x35 Hygienic Bolts For weigh modules up to and including 5,000 lb (2,200 kg)	371
	30382091	Top Thr-Hole Kit SWB805 F8 -13 2.2t For flange thickness of 8-13mm (4) M10 Hygienic Nut, (8) Seal Washer, (1) Top Seal Shim (4) M10x40 Hygienic Bolts For weigh modules up to and including 5,000 lb (2,200 kg)	515
	30382092	Top Thr-Hole Kit SWB805 F13 - 18 2.2t For flange thickness of 13-18mm (4) M10 Hygienic Nut, (8) Seal Washer, (1) Top Seal Shim (4) M10x45 Hygienic Bolts For weigh modules up to and including 5,000 lb (2,200 kg)	515
	30382093	Top Thr-Hole Kit SWB805 F18 - 23 2.2t For flange thickness of 18-23mm (4) M10 Hygienic Nut, (8) Seal Washer, (1) Top Seal Shim (4) M10x50 Hygienic Bolts For weigh modules up to and including 5,000 lb (2,200 kg)	554
	30382096	Top Thr-Hole Kit SWB805 F5 - 15 4.4t For flange thickness of 5-15mm (4) M16 Hygienic Nut, (8) Seal Washer, (1) Top Seal Shim (4) M16x50 Hygienic Bolts For 10,000 lb (4,400 kg) module only	1,165
	30382097	Top Thr-Hole Kit SWB805 F15 - 25 4.4t For flange thickness of 15-25mm (4) M16 Hygienic Nut, (8) Seal Washer, (1) Top Seal Shim (4) M16x60 Hygienic Bolts For 10,000 lb (4,400 kg) module only	1,204
	30382098	Top Thr-Hole Kit SWB805 F25 - 32 4.4t For flange thickness of 25-32mm (4) M16 Hygienic Nut, (8) Seal Washer, (1) Top Seal Shim (4) M16x70 Hygienic Bolts For 10,000 lb (4,400 kg) module only	1,243
	<b>Top Mounting Kits – Welding Kit (For use with structure attachment via welding)</b>		
	30382088	Top Welding Kit SWB805 +H16 - 2.2t Kit adds 16mm to module height dimension (1) Top Spacer, (1) Top Seal Shim (4) M10x30 Hygienic Bolts For weigh modules up to and including 5,000 lb (2,200 kg)	397
	30382094	Top Welding Kit SWB805 +H20 - 4.4t Kit adds 20mm to module height dimension (1) Top Spacer, (1) Top Seal Shim (4) M16x40 Hygienic Bolts For 10,000 lb (4,400 kg) module only	736
<b>Stabilizer Inserts (Field Installation)</b>			
	30335574	Stabilizer Insert SWB805 17-4PH 2.2T/5K For weigh modules up to and including 5,000 lb (2,200 kg)	66
	30335575	Stabilizer Insert SWB805 4.4T/10K 17-4PH For 10,000 lb (4,400 kg) module only	85
<b>Installation Tool (Install Tool required for weigh module service and stabilizer installation)</b>			
	30382116	Stabilizer Install / Service Tool S2 110kg-2.2t SS For weigh modules up to and including 5,000 lb (2,200 kg)	72
	30382117	Stabilizer Install / Service Tool S3 4.4t SS For 10,000 lb (4,400 kg) module only	79



# Applied Compression Weigh Modules

## 0970 Redundant Ringmount



### Low Profile, 316 SS for Corrosion Resistance

#### Always Suitable

For static & dynamic tanks, hoppers, mixers & conveyors. With the high accuracy fully approved stainless hermetic load cell it fits all applications.

#### Safety & Protection

Features include 360° self-checking, dual lift-off & down-stops, hazardous approvals & IP68 stainless load cell. Peace of mind. Orientation is not critical.

#### Ease of Installation

Product is light and low profile. module comes factory aligned and locked for installation with or without the load cell.

[www.mt.com/compression-wm](http://www.mt.com/compression-wm)



Material Number	Material Description	Maximum Capacity	Material	Metrology	Protection Rating	Hazardous Approval	List Price (CAD)
61046846	Weigh Module 0970 250KG C3 RDT	250 kg	WM 316L, LC 17-4PH	OIML C3	IP68	ATEX; FM	5,655
61046848	Weigh Module 0970 500KG C3 RDT	500 kg		NTEP III 5M; OIML C3			5,655
61046850	Weigh Module 0970 1T C3 RDT	1,000 kg		NTEP III 5M; OIML C3			5,655
61046861	Weigh Module 0970 1T C6 RDT	1,000 kg		NTEP III 10,000; OIML C6			6,270
61046855	Weigh Module 0970 2T C3 RDT	2,000 kg		NTEP III 5M; OIML C3			6,110
61046860	Weigh Module 0970 2T C6 RDT			NTEP III 10,000; OIML C6			6,700
61046856	Weigh Module 0970 3.5T C3 RDT	3,500 kg		NTEP III 5M; OIML C3			6,110
61046859	Weigh Module 0970 3.5T C6 RDT			NTEP III 10,000; OIML C6			6,700
61046857	Weigh Module 0970 5T C3 RDT			5,000 kg			NTEP III 5M; OIML C3
61046858	Weigh Module 0970 5T C6 RDT	5,000 kg		NTEP III 10,000; OIML C6			7,090

## 0970 Redundant Ringmount Accessories

Material Number	Material Description	Order Notes	List Price (CAD)
<b>Stands</b>			
61041035	Dead Stand Redundant 0970 SS 5T		1,090
<b>Weigh Module Accessories</b>			
61037335	Load Cell Dummy RLC SS 5T	Dummy sensors for RingMount, 250 - 5000kg; Need to order two for redundant and a load pin	374
61037446	Thermal Pad 0970 5T 170C 0.50 IN	Thermal pad for RingMount 250 - 5000 kg, 12.7mm	510
61037314	Thermal Pad 0970 5T 80C 0.50 IN	Thermal pad for RingMount 250 - 5000 kg, 12.7mm	240
61036187	Vibration Pad 0970 5T 0.50 IN	Shock absorption pad for RingMount, 250-5000kg, 12.7mm	289

# Applied Compression Weigh Modules

## 0970 Ringmount



### Low Profile, 316 SS for Corrosion Resistance

#### Always Suitable

For static & dynamic tanks, hoppers, mixers & conveyors. With the high accuracy fully approved stainless hermetic load cell it fits all applications.

#### Safety & Protection

Features include 360° self-checking, dual lift-off & overload stops, hazardous approvals & IP68 stainless load cell. Peace of mind. Orientation is not critical.

#### Ease of Installation

Product is light and low profile. module comes factory aligned and locked for installation with or without the load cell.

[www.mt.com/compression-wm](http://www.mt.com/compression-wm)



#### Protection Rating

IP68

#### Hazardous Approval

FM; ATEX

#### Order Notes

NOJ indicates No Junction Box included in system

#### Standard Features

- Model RLC Stainless Steel hermetically sealed (IP68) 2 mV/V load cells
- Fully assembled weigh modules
- 316L Stainless Steel top and bottom plates
- 17-4PH rocker pin and hold down bolts
- 16.4 ft/5 m (250-5000 kg) and 32.8 ft/10 m (10,000 kg) integrated load cell cable

#### Approvals

- OIML R60 C3 3000d, COC# D09-00.08
- NTEP 5000d Class III, COC# 00-124 (500 kg - 5000 kg)
- NTEP IIIIL 10,000d; OIML C6
- Factory Mutual (FM), CSA and ATEX Hazardous Area Approval

Material Number	Legacy Number	Material Description	Gross System Capacity	Load Cell	Metrology	Shipping Weight	List Price (CAD)
69031599	_097001X24-2	Weigh Module 0970 250KG C3 NOJ	560 lb / 250 kg	5m (16.6ft) cable; RLC	OIML C3	13 lb	2,840
69031600	_097001X54-2	Weigh Module 0970 500KG C3 NOJ	1,120 lb / 500 kg		NTEP III 5M; OIML C3		2,755
69031595	_097001014-2	Weigh Module 0970 1T C3 NOJ	2,200 lb / 1,000 kg		NTEP IIIIL 10,000; OIML C6		2,840
61038933	_097001016-2	Weigh Module 0970 1T C6 NOJ			NTEP III 5M; OIML C3		3,485
69031596	_097001024-2	Weigh Module 0970 2T C3 NOJ	4,400 lb / 2,000 kg		NTEP III 5M; OIML C3		2,755
61038934	_097001026-2	Weigh Module 0970 2T C6 NOJ			NTEP IIIIL 10,000; OIML C6		3,405
69031597	_097001034-2	Weigh Module 0970 3.5T C3 NOJ	7,865 lb / 3,500 kg		NTEP III 5M; OIML C3		3,080
61038935	_097001036-2	Weigh Module 0970 3.5T C6 NOJ			NTEP IIIIL 10,000; OIML C6		3,505
69031598	_097001054-2	Weigh Module 0970 5T C3 NOJ	11,230 lb / 5,000 kg		NTEP III 5M; OIML C3		3,415
61038936	_097001056-2	Weigh Module 0970 5T C6 NOJ			NTEP IIIIL 10,000; OIML C6		3,840
61038871	_097001104-2	Weigh Module 0970 10T C3 NOJ	22,000 lb / 10,000 kg	10m (33ft); RLC	NTEP III 5M; OIML C3	18 lb	4,540

# Applied Compression Weigh Modules

## SWC 515 Pinmount



### Multi-Purpose, Feature Packed

#### Multi Purpose – always Suitable

For static & dynamic tanks, hoppers, mixers & conveyors. With the high accuracy fully approved stainless hermetic load cell it fits all applications.

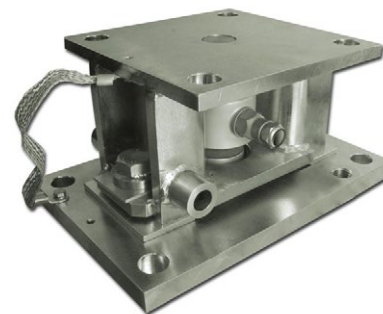
#### Safety & Protection

Features include 360° self-checking, dual lift-off & down-stops, ground strap, hazardous approvals & IP68 stainless load cell. Peace of mind.

#### Ease of Installation

Installation features like SafeLock ensure an easy and trouble-free installation. SafeLock locks the weigh module and protects the load cell during installation.

[www.mt.com/SWC515\\_Pinmount\\_WM](http://www.mt.com/SWC515_Pinmount_WM)



#### Standard Features

- Static & Dynamic Applications
- Removable alignment spacer
- Module orientation greatly simplified
- Lower shipping costs
- Low profile
- Hermetic IP68 - Glass-to-metal sealed cable egress
- Dual anti-lift protection standard
- Bumper stops provide 360 degree checking

#### Approvals

- Global approvals on every load cell
- FM and ATEX (See Certificates For Details)



Material Number	Legacy Number	Material Description	Maximum Capacity	Load Cell	Material	Metrology	List Price (CAD)
30131976	72205446	Weigh Module SWC515 CS 07.5T-S1	16,500 lb / 7,500 kg	SLC611; 12m Cable	Mild Steel galvanized	NTEP III 6,000; OIML C3	2,720
30131977	72205449	Weigh Module SWC515 SS 07.5T-S1			Stainless Steel V2A (AISI 304)		4,055
30131979	72205447	Weigh Module SWC515 CS 15T-S1	33,000 lb / 15,000 kg		Mild Steel galvanized		3,025
30131980	72205450	Weigh Module SWC515 SS 15T-S1			Stainless steel, grade 304		4,420
30131981	72247332	Weigh Module SWC515 316 15T-S1			316L SS		5,575
30131982	72205448	Weigh Module SWC515 CS 22.5T-S1	49,600 lb / 22,500 kg		Mild Steel galvanized		3,390
30131983	72205451	Weigh Module SWC515 SS 22.5T-S1			Stainless Steel V2A (AISI 304)		4,780
30131984	72247181	Weigh Module SWC515 316 22.5T-S1			316L SS		6,025



Material Number	Legacy Number	Material Description	Maximum Capacity	Load Cell	Material	Metrology	List Price (CAD)
72249169	72249169	Weigh Module SWC515 CS 30T-S2	66,000 lb / 30,000 kg	0782/GD, 13 m cable	Mild Steel galvanized	OIML C3, NTEP III L 10,000	4,350
72249170	72249170	Weigh Module SWC515 SS 30T-S2			Stainless steel, grade 304		6,400
72249204	72249204	Weigh Module SWC515 CS 50T-S2	110,000 lb / 50,000 kg		Mild Steel galvanized		5,445
72249205	72249205	Weigh Module SWC515 SS 50T-S2			Stainless steel, grade 304		7,655
72249171	72249171	Weigh Module SWC515 CS 100T	220,000 lb / 100,000 kg		Mild Steel galvanized		8,550
72249172	72249172	Weigh Module SWC515 SS 100T			Stainless steel, grade 304		12,500

## SWC 515 Pinmount Accessories

Material Number	Material Description	Order Notes	Shipping Weight	List Price (CAD)
<b>Options, SWC515 PinMount™ Size 1</b>				
72205444	Stabilizer SWC515 CS S1	Stabilizer Size 1, 7.5t – 22.5t	5 lb	352
72205445	Stabilizer SWC515 SS S1	Stabilizer Size 1, 7.5t – 22.5t		580
72206153	Spacer Plate SWC515 SS S1	Plate for replacing load cell w/o lifting tank, useful for fixed piping , stainless	11 lb	690
72206154	Dead Stand SWC515 CS S1	Passive support for level control systems, zinc plated carbon steel	29 lb	720
72206155	Dead Stand SWC515 SS S1	Passive support for level control systems, stainless		1,775
72207262	Vibration Pad Kit SWC515 SS S1	Comes with stainless spacer plate to be sandwiched between WM top plate and pad. For PinMount 7.5 -22.5t	16 lb	1,515
72207263	Thermal Pad Kit SWC515 SS S1 80C	Comes with stainless spacer plate to be sandwiched between WM top plate and pad. For PinMount 7.5 -22.5t		895
72207264	Thermal Pad Kit SWC515 SS S1 170C	Comes with stainless spacer plate to be sandwiched between WM top plate and pad. For PinMount 7.5 -22.5t		1,525
72242585	Stabilizer SWC515 316 S1	Stabilizer Size 1, 7.5t – 22.5t	5 lb	680
72245532	Spacer Plate SWC515 CS S1	Plate for replacing load cell w/o lifting tank, useful for fixed piping , carbon steel	11 lb	332
72246646	Vibration Pad Kit SWC515 CS S1	Comes with carbon steel spacer plate to be sandwiched between WM top plate and pad. For PinMount 7.5 -22.5t	16 lb	1,155
72246647	Thermal Pad Kit SWC515 CS S1 80C	Comes with carbon steel spacer plate to be sandwiched between WM top plate and pad. For PinMount 7.5 -22.5t		990
72246648	Thermal Pad Kit SWC515 CS S1 170C	Comes with carbon steel spacer plate to be sandwiched between WM top plate and pad. For PinMount 7.5 -22.5t		1,165
72247333	Spacer Plate SWC515 316 S1	Plate for replacing load cell w/o lifting tank, useful for fixed piping , 316 stainless	11 lb	850
72247334	Vibration Pad Kit SWC515 316 S1	Comes with 316 stainless spacer plate to be sandwiched between WM top plate and pad. For PinMount 7.5 -22.5t	16 lb	1,915
72247335	Thermal Pad Kit SWC515 316 S1 80C	Comes with 316 stainless spacer plate to be sandwiched between WM top plate and pad. For PinMount 7.5 -22.5t		1,120
72247336	Thermal Pad Kit SWC515 316 S1 170C	Comes with 316 stainless spacer plate to be sandwiched between WM top plate and pad. For PinMount 7.5 -22.5t		1,915

## SWC 515 Pinmount Accessories

Material Number	Material Description	Order Notes	Shipping Weight	List Price (CAD)
<b>Options, SWC515 PinMount™ Size 2</b>				
72248968	Stabilizer SWC515 CS S2	Stabilizer Size 2, 20t – 50t	5 lb	570
72248969	Stabilizer SWC515 SS S2	Stabilizer Size 2, 20t – 50t		940
72249173	Dead Stand SWC515 CS S2	Passive support for level control systems, zinc plated carbon steel	29 lb	1,275
72249174	Dead Stand SWC515 SS S2	Passive support for level control systems, stainless		2,950
72249203	Spacer Plate SWC515 CS S2	Plate for replacing load cell w/o lifting tank, useful for fixed piping , carbon steel	11 lb	332
72249206	Spacer Plate SWC515 SS S2	Plate for replacing load cell w/o lifting tank, useful for fixed piping , stainless		885
72255072	Vibration Pad Kit SWC515 CS S2	Comes with carbon steel spacer plate to be sandwiched between WM top plate and pad. For PinMount 20t-50t.	16 lb	1,205
72255073	Thermal Pad Kit SWC515 CS S2 80C	Comes with carbon steel spacer plate to be sandwiched between WM top plate and pad. For PinMount 20t-50t.		810
72255074	Thermal Pad Kit SWC515 CS S2 170C	Comes with carbon steel spacer plate to be sandwiched between WM top plate and pad. For PinMount 20t-50t.		2,005
72255075	Vibration Pad Kit SWC515 SS S2	Comes with stainless spacer plate to be sandwiched between WM top plate and pad. For PinMount 20t-50t.		1,605
72255076	Thermal Pad Kit SWC515 SS S2 80C	Comes with stainless spacer plate to be sandwiched between WM top plate and pad. For PinMount 20t-50t.		1,325
72255077	Thermal Pad Kit SWC515 SS S2 170C	Comes with stainless spacer plate to be sandwiched between WM top plate and pad. For PinMount 20t-50t.		2,560
<b>Options, SWC515 PinMount™ Size 3</b>				
72248970	Stabilizer SWC515 CS S3	Stabilizer Size 3, 90 – 100t	5 lb	630
72248971	Stabilizer SWC515 SS S3	Stabilizer Size 3, 90 – 100t		1,075
72249175	Dead Stand SWC515 CS S3	Passive support for level control systems, zinc plated carbon steel	29 lb	2,110
72249176	Dead Stand SWC515 SS S3	Passive support for level control systems, stainless		4,380
72249213	Spacer Plate SWC515 CS S3	Plate for replacing load cell w/o lifting tank, useful for fixed piping , carbon steel	11 lb	720
72249214	Spacer Plate SWC515 SS S3	Plate for replacing load cell w/o lifting tank, useful for fixed piping , stainless		1,565
72255078	Vibration Pad Kit SWC515 CS S3	Comes with carbon steel spacer plate to be sandwiched between WM top plate and pad. For PinMount 90-100t.	16 lb	2,470
72255079	Thermal Pad Kit SWC515 CS S3 80C	Comes with carbon steel spacer plate to be sandwiched between WM top plate and pad. For PinMount 90-100t.		1,240
72255080	Thermal Pad Kit SWC515 CS S3 170C	Comes with carbon steel spacer plate to be sandwiched between WM top plate and pad. For PinMount 90-100t.		2,110
72255081	Vibration Pad Kit SWC515 SS S3	Comes with stainless spacer plate to be sandwiched between WM top plate and pad. For PinMount 90-100t.		3,295
72255082	Thermal Pad Kit SWC515 SS S3 80C	Comes with stainless spacer plate to be sandwiched between WM top plate and pad. For PinMount 90-100t.		2,090
72255083	Thermal Pad Kit SWC515 SS S3 170C	Comes with stainless spacer plate to be sandwiched between WM top plate and pad. For PinMount 90-100t.		2,950

# Compression Weigh Modules

## SWC 615 PowerMount



**Multi Purpose – always Suitable**

For static & dynamic tanks, hoppers, mixers & conveyors. With the high accuracy fully approved stainless hermetic load cell it fits all applications.

**Safety & Protection**

Features include 360° self-checking, dual lift-off & down-stops, ground strap, hazardous approvals & IP68 stainless load cell. Peace of mind.

**Predictive Diagnostics**

Monitor single load cells for overload, temperature, zero drift etc. and enable reaction before system shuts down or measures incorrectly.

[www.mt.com/ind-powermount](http://www.mt.com/ind-powermount)



Material Number	Material Description	Maximum Capacity	Load Cell	Material	Metrology	List Price (CAD)		
30256336	Weigh Module SWC615 CS 7.5t C3 S1	16,500 lb / 7,500 kg	Powercell SLC611D	Zinc plated steel	OIML C3, NTEP IIIIL 5,000d	3,110		
30256337	Weigh Module SWC615 SS 7.5t C3 S1			304 Stainless steel		4,560		
30256338	Weigh Module SWC615 SS316 7.5t C3 S1			316 Stainless steel		5,670		
30256339	Weigh Module SWC615 CS 15t C3 S1	33,000 lb / 15,000 kg		Zinc plated steel		3,485		
30256340	Weigh Module SWC615 SS 15t C3 S1			304 Stainless steel		4,950		
30256341	Weigh Module SWC615 SS316 15t C3 S1			316 Stainless steel		6,130		
30256342	Weigh Module SWC615 CS 22.5t C3 S1	49,500 lb / 22,500 kg		Zinc plated steel		3,855		
30256343	Weigh Module SWC615 SS 22.5t C3 S1			304 Stainless steel		5,525		
30256344	Weigh Module SWC615 SS316 22.5t C3 S1			316 Stainless steel		6,620		
72262440	Weigh Module SWC615 CS 20t S2	44,000 lb / 20,000 kg		Powercell PDX SLC820		Zinc plated steel	OIML C3	5,185
72262441	Weigh Module SWC615 SS 20t S2					304 Stainless steel		7,250
72255118	Weigh Module SWC615 CS 30t S2	66,000 lb / 30,000 kg				Zinc plated steel	OIML C3, NTEP IIIIL 10,000d	5,185
72255120	Weigh Module SWC615 SS 30t S2		304 Stainless steel		7,250			
72255119	Weigh Module SWC615 CS 50t S2	110,000 lb / 50,000 kg	Zinc plated steel		6,305			
72255121	Weigh Module SWC615 SS 50t S2		304 Stainless steel		8,520			
30057238	Weigh Module SWC615 CS 90t S3A	198,000 lb / 90,000 kg	Zinc plated steel		8,290			
30057237	Weigh Module SWC615 SS 90t S3A		304 Stainless steel		12,970			

## SWC 615 Powermount Accessories

Material Number	Material Description	Order Notes	List Price (CAD)
<b>SLC611D Powercell Load Cells</b>			
30092515	Load Cell SLC611D-7.5t C3		1,895
30092516	Load Cell SLC611D-15t C3		1,895
30092517	Load Cell SLC611D-22.5t C3		1,895
<b>Extension Adaptors for SLC611D Powercell Load Cells</b>			
30220628	Cable Extension Adaptor SLC POWERCELL		230
<b>Cable Gland</b>			
30095639	Cable Gland 6-8mm	For use with SLC611D / Homerun Cable and IND780PDX	83
<b>Wiring / Cable Kits for SLC611D Powercell Load Cells</b>			
30302750	Cable Kit(3LC) PU 3m SLC POWERCELL	3 Load Cell kit, 3m length. Includes terminating resistor.	1,075
30302751	Cable Kit(3LC) PU 5m SLC POWERCELL	3 Load Cell kit, 5m length. Includes terminating resistor.	1,075
30302752	Cable Kit(3LC) PU 10m SLC POWERCELL	3 Load Cell kit, 10m length. Includes terminating resistor.	1,215
30302753	Cable Kit(3LC) PU 20m SLC POWERCELL	3 Load Cell kit, 20m length. Includes terminating resistor.	1,585
30302754	Cable Kit(4LC) PU 3m SLC POWERCELL	4 Load Cell kit, 3m length. Includes terminating resistor.	1,505
30302755	Cable Kit(4LC) PU 5m SLC POWERCELL	4 Load Cell kit, 5m length. Includes terminating resistor.	1,505
30302756	Cable Kit(4LC) PU 10m SLC POWERCELL	4 Load Cell kit, 10m length. Includes terminating resistor.	1,725
30302757	Cable Kit(4LC) PU 20m SLC POWERCELL	4 Load Cell kit, 20m length. Includes terminating resistor.	2,230
<b>Homerun Cables for SLC611D Powercell Load Cells</b>			
30302758	Cable Homerun PU 5m SLC POWERCELL	5m length	301
30302759	Cable Homerun PU 10m SLC POWERCELL	10m length	373
30302760	Cable Homerun PU 20m SLC POWERCELL	20m length	515
30302761	Cable Homerun PU 30m SLC POWERCELL	30m length	660
30302762	Cable Homerun PU 50m SLC POWERCELL	50m length	950
30302763	Cable Homerun PU 100m SLC POWERCELL	100m length	1,940
30302764	Cable Homerun PU 150m SLC POWERCELL	150m length	2,720
<b>Load Cell Connection Cables for SLC611D Powercell Load Cells</b>			
30302765	Cable LC-LC PU 0.8m SLC POWERCELL	Load Cell Connection Cable, 0.8m length	402
30302766	Cable LC-LC PU 3m SLC POWERCELL	Load Cell Connection Cable, 3m length	430
30302767	Cable LC-LC PU 5m SLC POWERCELL	Load Cell Connection Cable, 5m length	445
30302768	Cable LC-LC PU 10m SLC POWERCELL	Load Cell Connection Cable, 10m length	515
30302769	Cable LC-LC PU 20m SLC POWERCELL	Load Cell Connection Cable, 20m length	690

\*\*\*Please see SWC515 Pinmount price pages for stabilizer, spacer plate, vibration and thermal pad kit selection\*\*\*

<b>Material Number</b>	<b>Material Description</b>	<b>Order Notes</b>	<b>List Price (CAD)</b>
<b>SLC820 Powercell PDX Load Cells</b>			
42904882	Load Cell SLC820-20t C3		2,190
42904883	Load Cell SLC820-30t C3		2,815
42904891	Load Cell SLC820-50t C3		2,915
72238150	Load Cell SLC820-90t C3		6,320
<b>Wiring / Cable Kits for Powercell PDX / SLC820 Load Cells</b>			
61045291	KOP PDX Wiring 3LC 5M CBL	3 PDX Load Cell cables and terminating resistor, 5m length	1,055
61045292	KOP PDX Wiring 3LC 10M CBL	3 PDX Load Cell cables and terminating resistor, 10m length	1,215
61045293	KOP PDX Wiring 4LC 5M CBL	4 PDX Load Cell cables and terminating resistor, 5m length	1,455
61045294	KOP PDX Wiring 4LC 10M CBL	4 PDX Load Cell cables and terminating resistor, 10m length	1,705
<b>Homerun Cables for Powercell PDX / SLC820 Load Cells</b>			
61044730	Cable HR PDX 10 Meters		392
61044731	Cable HR PDX 20 Meters		565
61044732	Cable HR PDX 30 Meters		755
61044733	Cable HR PDX 40 Meters		910
61044734	Cable HR PDX 50 Meters		1,135
61044735	Cable HR PDX 60 Meters		1,455
61044736	Cable HR PDX 70 Meters		1,650
61044737	Cable HR PDX 80 Meters		1,860
61044738	Cable HR PDX 90 Meters		2,065
61044739	Cable HR PDX 100 Meters		2,260
61044740	Cable HR PDX 110 Meters		2,460
61044741	Cable HR PDX 120 Meters		2,655
61044742	Cable HR PDX 130 Meters		2,860
61044748	Cable HR PDX 140 Meters		3,055
61044749	Cable HR PDX 150 Meters		3,245
61044750	Cable HR PDX 160 Meters		3,455
61044751	Cable HR PDX 170 Meters		3,655
61044752	Cable HR PDX 180 Meters		3,855
<b>Load Cell Connection Cables for Powercell PDX / SLC820 Load Cells</b>			
61043480	Cable LC PDX 2 Meters		350
61043523	Cable LC PDX 4 Meters		385
61043481	Cable LC PDX 5 Meters		401
61043482	Cable LC PDX 7 Meters		463
61043483	Cable LC PDX 8 Meters		486
61043484	Cable LC PDX 9 Meters		492
61043485	Cable LC PDX 10 Meters		505
61045854	Cable LC PDX 15 Meters		655
61043524	Cable LC PDX 20 Meters		710
61044988	Cable LC PDX 24 Meters		940

\*\*\*Please see SWC515 Pinmount price pages for stabilizer, spacer plate, vibration and thermal pad kit selection\*\*\*



# Applied Compression Weigh Modules

## 3390 Gagemount



### High Capacity Weighing

#### Multi-Purpose - Always suitable

For static & dynamic conveyors, silos, tanks & hoppers. With the high accuracy fully approved stainless hermetic load cell it fits all applications.

#### Safety & Protection

Features include ground strap, hazardous approvals, IP68 stainless load cell. Peace of mind.

#### Ease of Installation/Service

Product is aligned for installation. For replacement, the load cell lifts out easily after the top plate is raised.

[www.mt.com/3390\\_Gagemount\\_WM](http://www.mt.com/3390_Gagemount_WM)

**Protection Rating** IP68 NEMA 6/6P

**Hazardous Approval** FM; CSA; ATEX



Material Number	Legacy Number	Material Description	Maximum Capacity	Load Cell	Material	Metrology	Shipping Weight	List Price (CAD)
71210092	71210092	Weigh Module 3390 CS 200T	440,000 lb / 200,000 kg	0782/GD; 20 m cable	Mild Steel galvanized	Accuracy 0.05%	122 lb	8,490
71210170	71210170	Weigh Module 3390 SS 200T			Stainless Steel V2A (AISI 304)		243 lb	12,340

**Commercial** **Compression Weigh Modules**  
**SWB220**



**Economical Solution**

**Multi-Purpose**

For static & dynamic tanks, hoppers, & conveyors without thermal expansion & contraction.

**Fits a wide range of applications**

Features include compliant compression mount, anti-lift, legal for trade & hazardous area approvals on load cell.

**Industry Standard**

Proven design for general purpose weighing allowing for simple integration.

[www.mt.com/compression-wm](http://www.mt.com/compression-wm)



- |                           |   |
|---------------------------|---|
| <b>Protection Rating</b>  | IP68/IP69k  |
| <b>Metrology</b>          | OIML C3; NTEP III M   |
| <b>Hazardous Approval</b> | FM (SLB215), cFMus (SLB515), ATEX   |
| <b>Standard Features</b>  | <ul style="list-style-type: none"> <li>• Fixed Compression Mount Upper Receiver</li> <li>• Steel Alloy or Stainless Steel Construction, Welded Load Cell Sealing</li> <li>• 2 mV/V load cells (1mV/V for 250 lb / 110 kg capacities)</li> </ul> |

Material Number	Material Description	Load Cell Capacity	Load Cell	Material	Shipping Weight	List Price (CAD)
30372783	Weigh Module SWB220 CS 250lb	250 lb (110 kg)	SLB215 alloy steel, welded seal, 5m cable	Zinc plated steel	8 lb	632
30372784	Weigh Module SWB220 SS 250lb		SLB515 stainless steel, welded seal, 5m cable	Stainless Steel V2A (AISI 304)		1,042
30372949	Weigh Module SWB220 CS 500lb	500 lb (220 kg)	SLB215 alloy steel, welded seal, 5m cable	Zinc plated steel	10 lb	846
30372950	Weigh Module SWB220 SS 500lb		SLB515 stainless steel, welded seal, 5m cable	Stainless Steel V2A (AISI 304)		1,042
30372953	Weigh Module SWB220 CS 1.25K	1,250 lb (550 kg)	SLB215 alloy steel, welded seal, 5m cable	Zinc plated steel	15 lb	846
30372954	Weigh Module SWB220 SS 1.25K		SLB515 stainless steel, welded seal, 5m cable	Stainless Steel V2A (AISI 304)		1,042
30372957	Weigh Module SWB220 CS 2.5K	2,500 lb (1,100 kg)	SLB215 alloy steel, welded seal, 5m cable	Zinc plated steel	15 lb	846
30372958	Weigh Module SWB220 SS 2.5K		SLB515 stainless steel, welded seal, 5m cable	Stainless Steel V2A (AISI 304)		1,042

# Commercial Compression Weigh Modules

## VLM3



### Economical Solution

#### Static Weighing

Ideal for static tanks & hoppers. Allows for expansion & contraction.

#### Fits wide range of applications

Features include self-checking system, anti-lift, hazardous area approvals & IP67 load cell. Fits many applications.

#### Industry Standard

Proven design for general purpose weighing allowing for straight forward integration.

[www.mt.com/compression-wm](http://www.mt.com/compression-wm)

**Protection Rating** IP67

**Metrology** Accuracy 0.03%

**Hazardous Approval** FM; cFM

**Order Notes** NOJ indicates No Junction Box included in system

#### Approvals

- Factory Mutual (cFMus) Hazardous Area Approved

#### Accessories

- See Weigh Modules Accessories page

#### Standard Features

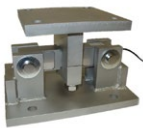
- Painted fixed upper receiver and base plate or glass bead blasted stainless steel hardware
- Junction box sold separately
- Integrated conduit fitting and 20 ft load cell cable
- Dual-ended Model SLD425 (CS) & SLD525 (SS) 3 mV/V load cells 700ohms nominal
- Assembled weigh module kits



Material Number	Legacy Number	Material Description	Maximum Capacity	Load Cell	Material	Shipping Weight	List Price (CAD)
61043165	VLM3C101A	Weigh Module VLM3 CS 1K SLD425 NOJ	1,000 lb / 454 kg	(19.7ft) cable; SLD425	Mild Steel painted mount	30 lb	1,065
61044288	VLM3CS101A	Weigh Module VLM3 CS 1K SLD525 NOJ		(19.7ft) cable; SLD525			1,250
61043167	VLM3C102A	Weigh Module VLM3 CS 2K SLD425 NOJ	2,000 lb / 907 kg	(19.7ft) cable; SLD425			1,065
61044289	VLM3CS102A	Weigh Module VLM3 CS 2K SLD525 NOJ		(19.7ft) cable; SLD525			1,250
61043168	VLM3C105A	Weigh Module VLM3 CS 5K SLD425 NOJ	5,000 lb / 2,200 kg	(19.7ft) cable; SLD425			1,065
61044290	VLM3CS105A	Weigh Module VLM3 CS 5K SLD525 NOJ		(19.7ft) cable; SLD525			1,250
61043169	VLM3C110A	Weigh Module VLM3 CS 10K SLD425 NOJ	10,000 lb / 4,450 kg	(19.7ft) cable; SLD425		75 lb	1,315
61044291	VLM3CS110A	Weigh Module VLM3 CS 10K SLD525 NOJ		(19.7ft) cable; SLD525			1,635
61043170	VLM3C115A	Weigh Module VLM3 CS 15K SLD425 NOJ	15,000 lb / 6,810 kg	(19.7ft) cable; SLD425			1,390
61044292	VLM3CS115A	Weigh Module VLM3 CS 15K SLD525 NOJ		(19.7ft) cable; SLD525			1,635
61043171	VLM3C125A	Weigh Module VLM3 CS 25K SLD425 NOJ	25,000 lb / 11,125 kg	(19.7ft) cable; SLD425	1,375		
61044293	VLM3CS125A	Weigh Module VLM3 CS 25K SLD525 NOJ		(19.7ft) cable; SLD525	1,635		

## Weigh Modules

Material Number	Legacy Number	Material Description	Maximum Capacity	Load Cell	Material	Shipping Weight	List Price (CAD)
61043172	VLM3C135A	Weigh Module VLM3 CS 35K SLD425 NOJ	35,000 lb / 15,890 kg	(19.7ft) cable; SLD425	Mild Steel painted mount	75 lb	1,465
61044294	VLM3CS135A	Weigh Module VLM3 CS 35K SLD525 NOJ		(19.7ft) cable; SLD525			1,635
61043173	VLM3C150A	Weigh Module VLM3 CS 50K SLD425 NOJ	50,000 lb / 22,700 kg	(19.7ft) cable; SLD425		160 lb	3,015
61044295	VLM3CS150A	Weigh Module VLM3 CS 50K SLD525 NOJ		(19.7ft) cable; SLD525			3,915
61043174	VLM3C175A	Weigh Module VLM3 CS 75K SLD425 NOJ	75,000 lb / 34,050 kg	(19.7ft) cable; SLD425			3,155
61044296	VLM3CS175A	Weigh Module VLM3 CS 75K SLD525 NOJ		(19.7ft) cable; SLD525			3,915



Material Number	Legacy Number	Material Description	Maximum Capacity	Load Cell	Material	Shipping Weight	List Price (CAD)	
61043175	VLM3S101A	Weigh Module VLM3 SS 1K SLD525 NOJ	1,000 lb / 454 kg	(19.7ft) cable; SLD525	Stainless Steel V2A (AISI 304)	30 lb	1,595	
61043176	VLM3S102A	Weigh Module VLM3 SS 2K SLD525 NOJ	2,000 lb / 907 kg				1,595	
61043177	VLM3S105A	Weigh Module VLM3 SS 5K SLD525 NOJ	5,000 lb / 2,200 kg				1,595	
61043178	VLM3S110A	Weigh Module VLM3 SS 10K SLD525 NOJ	10,000 lb / 4,450 kg			75 lb	2,605	
61043179	VLM3S115A	Weigh Module VLM3 SS 15K SLD525 NOJ	15,000 lb / 6,810 kg				2,605	
61043180	VLM3S125A	Weigh Module VLM3 SS 25K SLD525 NOJ	25,000 lb / 11,125 kg				2,605	
61043181	VLM3S135A	Weigh Module VLM3 SS 35K SLD525 NOJ	35,000 lb / 15,890 kg				2,660	
61043182	VLM3S150A	Weigh Module VLM3 SS 50K SLD525 NOJ	50,000 lb / 22,700 kg				160 lb	6,210
61043183	VLM3S175A	Weigh Module VLM3 SS 75K SLD525 NOJ	75,000 lb / 34,050 kg					6,210

# Commercial Compression Weigh Modules

## SWD440



### Economical Solution

#### Static Weighing

Ideal for static tanks & hoppers. Allows for expansion & contraction.

#### Fits wide range of applications

Features include self-checking system, anti-lift, legal for trade & hazardous area approvals on IP67 load cell. Fits many applications.

#### Industry Standard

Proven design for general purpose weighing allowing for straight forward integration.

[www.mt.com/compression-wm](http://www.mt.com/compression-wm)

**Protection Rating** NTEP III 5M, IIIL 10M

**Metrology** IP67

**Hazardous Approval** FM; cFM

#### Standard Features

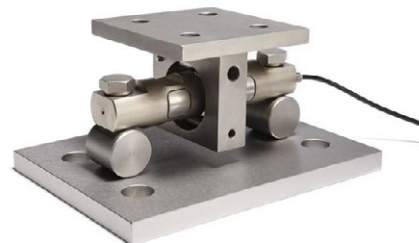
- Weigh Module assemblies complete with load cell
- Painted carbon steel or glass bead blasted stainless steel hardware
- Model SLD431 alloy or SLD530/SLD531 stainless steel dual-ended beam load cells
- Cable Length 30FT / 9.1M: 3mV/V output at rated capacity, 700 ohm nominal bridge resistance

#### Approvals

- SLD431 (5k - 250k), SLD531 (10k-100k)
- NTEP Certified load cells
- Factory Mutual all load cells (SLD530 cFMus)

#### Accessories

- Load cells are available separately, see Data Sheet TH03948.OE for item numbers
- Junction box sold separately, see Accessory price page
- Hardware kits without load cell are available, see Data Sheet TH03948.OE for item numbers



Material Number	Legacy Number	Material Description	Maximum Capacity	Load Cell	Material	Shipping Weight	List Price (CAD)
61043184	SWD440C1005A	Weigh Module SWD440 CS 5K	5,000 lb	30 ft (9.1m) cable; SLD431; SLD530	Carbon Steel	52 lb	1,445
61043195	SWD440S1005A	Weigh Module SWD440 SS 5K		30 ft (9.1m) cable; SLD530	Stainless Steel		2,360
61043185	SWD440C1010A	Weigh Module SWD440 CS 10K	10,000 lb	30 ft (9.1m) cable; SLD431; SLD530	Carbon Steel	52 lb	1,505
61043196	SWD440S1010A	Weigh Module SWD440 SS 10K		30 ft (9.1m) cable; SLD530; SLD531	Stainless Steel		2,470
61043186	SWD440C1020A	Weigh Module SWD440 CS 20K	20,000 lb	30 ft (9.1m) cable; SLD431; SLD530	Carbon Steel	54 lb	1,505
61043197	SWD440S1020A	Weigh Module SWD440 SS 20K		30 ft (9.1m) cable; SLD530; SLD531	Stainless Steel		2,380
61043187	SWD440C1030A	Weigh Module SWD440 CS 30K	30,000 lb	30 ft (9.1m) cable; SLD431; SLD530	Carbon Steel	148 lb	2,370
61043198	SWD440S1030A	Weigh Module SWD440 SS 30K		30 ft (9.1m) cable; SLD530; SLD531	Stainless Steel		4,560
61043188	SWD440C1040A	Weigh Module SWD440 CS 40K	40,000 lb	30 ft (9.1m) cable; SLD431; SLD530	Carbon Steel	148 lb	2,240
61043199	SWD440S1040A	Weigh Module SWD440 SS 40K		30 ft (9.1m) cable; SLD530; SLD531	Stainless Steel		4,560
61043189	SWD440C1050A	Weigh Module SWD440 CS 50K	50,000 lb	30 ft (9.1m) cable; SLD431; SLD530	Carbon Steel	148 lb	2,110

## Weigh Modules

Material Number	Legacy Number	Material Description	Maximum Capacity	Load Cell	Material	Shipping Weight	List Price (CAD)
61043200	SWD440S1050A	Weigh Module SWD440 SS 50K	50,000 lb	30 ft (9.1m) cable; SLD530; SLD531	Stainless Steel	148 lb	4,550
61043190	SWD440C1060A	Weigh Module SWD440 CS 60K	60,000 lb	30 ft (9.1m) cable; SLD431; SLD530	Carbon Steel		2,370
61043201	SWD440S1060A	Weigh Module SWD440 SS 60K		30 ft (9.1m) cable; SLD530; SLD531	Stainless Steel		4,960
61043191	SWD440C1100A	Weigh Module SWD440 CS 100K	100,000 lb	30 ft (9.1m) cable; SLD431; SLD530	Carbon Steel	242 lb	3,705
61043202	SWD440S1100A	Weigh Module SWD440 SS 100K		30 ft (9.1m) cable; SLD530; SLD531	Stainless Steel		7,240
61043192	SWD440C1150A	Weigh Module SWD440 CS 150K	150,000 lb	30 ft (9.1m) cable; SLD431; SLD530	Carbon Steel	251 lb	3,745
61043203	SWD440S1150A	Weigh Module SWD440 SS 150K		30 ft (9.1m) cable; SLD530	Stainless Steel		6,790
61043193	SWD440C1200A	Weigh Module SWD440 CS 200K	200,000 lb	30 ft (9.1m) cable; SLD431; SLD530	Carbon Steel	564 lb	7,455
61043204	SWD440S1200A	Weigh Module SWD440 SS 200K		30 ft (9.1m) cable; SLD530	Stainless Steel		17,870
61043194	SWD440C1250A	Weigh Module SWD440 CS 250K	250,000 lb	30 ft (9.1m) cable; SLD431; SLD530	Carbon Steel		7,905
61043205	SWD440S1250A	Weigh Module SWD440 SS 250K		30 ft (9.1m) cable; SLD530	Stainless Steel		17,870

# Accessories

## Home Run Cables

Order Notes: Home Run Cable - 6 conductors, single shield

Material Number	Description	List Price (CAD)
30127500	Cable 24GA 6Cond .2450D Shield Poly, 25'	37
30127510	Cable 24GA 6Cond .2450D Shield Poly, 50'	64
30127511	Cable 24GA 6Cond .2450D Shield Poly, 100'	129
30127512	Cable 24GA 6Cond .2450D Shield Poly, 250'	293
30127513	Cable 24GA 6Cond .2450D Shield Poly, 500'	570
30127514	Cable 24GA 6Cond .2450D Shield Poly, 1000'	1,120

# Applied Compression Weigh Module Kits w/o Load Cell

## SWB505 Multimount

### Economic System Integration

#### Static & Dynamic Weighing

Multipurpose weigh module provides the highest accuracy for both static and dynamic applications. Self-aligning rocker pin ensures repeatability.

#### Safety & Protection

Features include 360° checking, built-in anti-uplift and down stops. Peace of mind.

#### Ease of Installation/Service

Product is aligned for installation & transition to weighing mode is easy. Minimal lift required to remove load cell.

[www.mt.com/weighmodules](http://www.mt.com/weighmodules)



**Function** Load Cell Mounting

Material Number	Material Description	Capacity Range	Material	Suitable Load Cell	List Price (CAD)
61043213	Weigh Module Kit SWB505 CS 1.1T/2.5K	110 kg–1,100 kg	Carbon Steel; Zinc plated steel	(not included); 0745A	950
61046636	Weigh Module Kit SWB505 CS 2.2T/5K	2,200 kg–2,200 kg			950
61043214	Weigh Module Kit SWB505 CS 4.4T/10K	4,400 kg–4,400 kg			1,225
61043222	Weigh Module Kit SWB505 SS 1.1T/2.5K	110 kg–1,100 kg	Stainless Steel V2A (AISI 304)		1,415
61046637	Weigh Module Kit SWB505 SS 2.2T/5K	2,200 kg–2,200 kg			1,415
61043223	Weigh Module Kit SWB505 SS 4.4T/10K	4,400 kg–4,400 kg			2,080
61046397	Weigh Module Kit SWB505 316 1.1T/2.5K	110 kg–1,100 kg	Stainless Steel V4A (AISI 316)		2,080
61046638	Weigh Module Kit SWB505 316 2.2T/5K	2,200 kg–2,200 kg			2,080
61046398	Weigh Module Kit SWB505 316 4.4T/10K	4,400 kg–4,400 kg			3,335

### Multi-Purpose, Feature Packed

#### Multi Purpose – always Suitable

For static & dynamic tanks, hoppers, mixers & conveyors. With the high accuracy fully approved stainless hermetic load cell it fits all applications.

#### Safety & Protection

Features include 360° self-checking, dual lift-off & down-stops, ground strap, hazardous approvals & IP68 stainless load cell. Peace of mind.

#### Ease of Installation

Product is light, low profile & aligned & rigidly locked for installation, with or without the load cell installed. Orientation is not critical.

[www.mt.com/ind-multimount](http://www.mt.com/ind-multimount)

Material Number	Material Description	Capacity Range	Material	Suitable Load Cell	List Price (CAD)
30040927	Weigh Module Kit SWB505 CS 300kg	5 kg–300 kg	Zinc plated steel	(not included); MTB	605
30040928	Weigh Module Kit SWB505 SS 300kg		Stainless Steel V2A (AISI 304)		970
30040929	Weigh Module Kit SWB505 316 300kg		Stainless Steel V4A (AISI 316)		1,325



## SWB505 Multimount Accessories

Material Number	Material Description	Order Notes	List Price (CAD)
<b>0745A Advanced</b>			
30129604	LC 0745A-220kg/500lb PU3m C3/N5K		780
30094440	LC 0745A 1.1t/2.5klb FEP10m C3/N5K	PTFE	1,345
30091034	LC 0745A 220kg/500lb PU2m C3/N5K		895
30091046	LC 0745A 220kg/500lb PU5m C3/N5K		1,090
30094384	LC 0745A 220kg/500lb PU10m C3/N5K		905
42111204	LC 0745A 220kg/500lb FEP3m C3/N5K	PTFE	930
30094412	LC 0745A 220kg/500lb FEP5m C3/N5K	PTFE	940
30091038	LC 0745A 550kg/1.25klb PU2m C3/N5K		850
30091050	LC 0745A 550kg/1.25klb PU5m C3/N5K		790
30094388	LC 0745A 550kg/1.25klb PU10m C3/N5K		905
42111224	LC 0745A 550kg/1.25klb FEP3m C3/N5K	PTFE	960
30094416	LC 0745A 550kg/1.25klb FEP5m C3/N5K	PTFE	990
30094436	LC 0745A 550kg/1.25klb FEP10m C3/N5K	PTFE	1,100
30091042	LC 0745A 1.1t/2.5klb PU2m C3/N5K		810
30091054	LC 0745A 1.1t/2.5klb PU5m C3/N5K		875
30094392	LC 0745A 1.1t/2.5klb PU10m C3/N5K		840
42111244	LC 0745A 1.1t/2.5klb FEP3m C3/N5K	PTFE	940
30094420	LC 0745A 1.1t/2.5klb FEP5m C3/N5K	PTFE	1,015
30091026	LC 0745A 2.2t/5klb PU2m C3/N5K		1,565
30039033	LC 0745A 2.2t/5klb PU 5m C3/N5K		1,635
30094396	LC 0745A 2.2t/5klb PU10m C3/N5K		1,005
30094404	LC 0745A 2.2t/5klb FEP3m C3/N5K	PTFE	1,355
30094424	LC 0745A 2.2t/5klb FEP5m C3/N5K	PTFE	1,205
30094444	LC 0745A 2.2t/5klb FEP10m C3/N5K	PTFE	1,295
30039043	LC 0745A 4.4t/10klb PU 5m C3/N5K		1,365
30094400	LC 0745A 4.4t/10klb PU10m C3/N5K		1,495
30094428	LC 0745A 4.4t/10klb FEP5m C3/N5K	PTFE	1,315
30094448	LC 0745A 4.4t/10klb FEP10m C3/N5K	PTFE	1,375
30094432	LC 0745A 220kg/500lb FEP10m C3/N5K	PTFE	1,140
30129791	LC 0745A 110kg/250lb PU5m 0.03%		745
30091047	LC 0745A 220kg/500lb PU5m C6/N10K	C6	1,075
30091051	LC 0745A 550kg/1.25klb PU5m C6/N10K	C6	1,075
30091055	LC 0745A 1.1t/2.5klb PU5m C6/N10K	C6	1,075
30039034	LC 0745A 2.2t/5klb PU 5m C6/N10K	C6	1,305
30094401	LC 0745A 4.4t/10klb PU10m C6/N10K	C6	1,555
30095581	Conduit Adapter	Conduit fitting on back of 0745A load cell	13

Material Number	Material Description	Order Notes	List Price (CAD)
<b>MTB</b>			
71201558	Load Cell MTB-100kg 3m Ex		980
72208037	Load Cell MTB-100kg 5m Ex		940
71209642	Load Cell MTB-10kg 3m Ex		850
72208034	Load Cell MTB-10kg 5m Ex		970
71201559	Load Cell MTB-200kg 3m Ex		915
72208038	Load Cell MTB-200kg 5m Ex		940
71201556	Load Cell MTB-20kg 3m Ex		850
72208035	Load Cell MTB-20kg 5m Ex		940
71201560	Load Cell MTB-300kg 3m Ex		830
72208039	Load Cell MTB-300kg 5m Ex		940
71201557	Load Cell MTB-50kg 3m Ex		930
72208036	Load Cell MTB-50kg 5m Ex		940
71209934	Load Cell MTB-5kg 3m Ex		1,055
72208033	Load Cell MTB-5kg 5m Ex		970
<b>SLB615D</b>			
72261206	Load Cell SLB615D-1.1t C10		2,130
72261198	Load Cell SLB615D-1.1t C3/IIIM n:5		990
72261211	Load Cell SLB615D-1.1t C6/IIIM n:10		1,405
72261207	Load Cell SLB615D-2.2t C10		2,300
72261199	Load Cell SLB615D-2.2t C3/IIIM n:5		1,075
72261212	Load Cell SLB615D-2.2t C6/IIIM n:10		1,525
72261204	Load Cell SLB615D-220kg C10		2,130
72261196	Load Cell SLB615D-220kg C3/IIIM n:5		1,005
72261209	Load Cell SLB615D-220kg C6/IIIM n:10		1,390
72261200	Load Cell SLB615D-4.4t C3/IIIM n:5		1,365
72261195	Load Cell SLB615D-4.4t C6/IIIM n:10		1,820
72261205	Load Cell SLB615D-550kg C10		2,130
72261197	Load Cell SLB615D-550kg C3/IIIM n:5		1,005
72261210	Load Cell SLB615D-550kg C6/IIIM n:10		1,390
<b>Weigh Module Accessories</b>			
61010624	Dead Stand 0958/SWB505 CS S2 ZN	Passive support for level control systems, zinc plated carbon steel, 110-2200kg	499
61010625	Dead Stand 0958/SWB505 CS S3 ZN	Passive support for level control systems, zinc plated carbon steel, 4400kg	755
61005964	Load Cell Dummy 0745 SS 10K	Dummy sensors for Multimount 4400 kg	313
61005963	Load Cell Dummy 0745 SS 5K	Dummy sensors for Multimount 110 - 2200 kg	269
61024642	Thermal Pad SWB505 S2 170C 1.00IN	Thermal pad for Multimount from 110 - 2200 kg	700
61010620	Thermal Pad SWB505 S2 80C 1.00IN	Thermal pad for Multimount from 110 - 2200 kg	167
61037510	Thermal Pad SWB505 S3 170C 1.00IN	Thermal pad for Multimount 4400 kg	1,110
61010621	Thermal Pad SWB505 S3 80C 1.00IN	Thermal pad for Multimount 4400 kg	271
61005938	Vibration Pad 0958 10K 1.00IN	Shock absorption pad for Multimount, 4400 kg	364
61005965	Vibration Pad 0958 5K 1.00IN	Shock absorption pad for Multimount, Flexmount and Center-lign 110 - 2200 kg	216

# Applied Compression Weigh Module Kits w/o Load Cell

## SWC515 Pinmount

### Multi-Purpose, Feature Packed

#### Multi Purpose – always Suitable

For static & dynamic tanks, hoppers, mixers & conveyors. With the high accuracy fully approved stainless hermetic load cell it fits all applications.

#### Safety & Protection

Features include 360° self-checking, dual lift-off & down-stops, ground strap, hazardous approvals & IP68 stainless load cell. Peace of mind.

#### Ease of Installation

Product is light, low profile & aligned & rigidly locked for installation, with or without the load cell installed. Orientation is not critical.

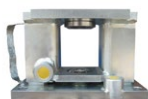
[www.mt.com/SWC515\\_Pinmount\\_WM](http://www.mt.com/SWC515_Pinmount_WM)



Order Notes Below Part Numbers do not come with a Load Cell, Hardware Only



Material Number	Legacy Number	Material Description	Material	List Price (CAD)
30131987	72245084	Weigh Module Kit SWC515 316 Size 1	316 SS	3,315
30131985	72205442	Weigh Module Kit SWC515 CS Size 1	Zinc plated steel	1,215
30131986	72205443	Weigh Module Kit SWC515 SS Size 1	Stainless Steel V2A (AISI 304)	2,745
72248964	72248964	Weigh Module Kit SWC515 CS Size 2	Zinc Plated Steel	call
72248965	72248965	Weigh Module Kit SWC515 SS Size 2	Stainless Steel V2A (AISI 304)	call
72255116	72255116	Weigh Module Kit SWC515 CS Size 2 PDX	Zinc Plated Steel	3,855
72255117	72255117	Weigh Module Kit SWC515 SS Size 2 PDX	Stainless Steel V2A (AISI 304)	5,925



Material Number	Legacy Number	Material Description	Material	List Price (CAD)
72248966	72248966	Weigh Module Kit SWC515 CS Size 3	Zinc plated steel	6,200
30069755		WMK SWC515 PM CS PDX Size S3A		4,930



Material Number	Legacy Number	Material Description	Material	List Price (CAD)
72248967	72248967	Weigh Module Kit SWC515 SS Size 3	Stainless steel, grade 304	10,430
30069754		WMK SWC515 PM SS PDX Size 3A		9,575

## SWC515 Pinmount Accessories

Material Number	Material Description	Order Notes	List Price (CAD)
<b>0782/GD</b>			
71201711	Load Cell 0782-100t 13m Ex		4,260
71201709	Load Cell 0782-30t 13m Ex		1,830
71201710	Load Cell 0782-50t 13m Ex		2,460
<b>Cables</b>			
61044730	Cable HR PDX 10 Meters		392
61044739	Cable HR PDX 100 Meters		2,260
61044740	Cable HR PDX 110 Meters		2,460
61044741	Cable HR PDX 120 Meters		2,655
61044742	Cable HR PDX 130 Meters		2,860
61044748	Cable HR PDX 140 Meters		3,055
61044749	Cable HR PDX 150 Meters		3,245
61044750	Cable HR PDX 160 Meters		3,455
61044751	Cable HR PDX 170 Meters		3,655
61044752	Cable HR PDX 180 Meters		3,855
61044753	Cable HR PDX 190 Meters		4,050
61044731	Cable HR PDX 20 Meters		565
61044754	Cable HR PDX 200 Meters		4,260
61044755	Cable HR PDX 210 Meters		4,450
61044757	Cable HR PDX 220 Meters		4,650
61044758	Cable HR PDX 230 Meters		4,870
61044759	Cable HR PDX 240 Meters		5,055
61044760	Cable HR PDX 250 Meters		5,260
61044761	Cable HR PDX 260 Meters		5,490
61044762	Cable HR PDX 270 Meters		5,645
61044763	Cable HR PDX 280 Meters		5,860
61044764	Cable HR PDX 290 Meters		6,055
61044732	Cable HR PDX 30 Meters		755
61044765	Cable HR PDX 300 Meters		6,265
61044733	Cable HR PDX 40 Meters		910
61044734	Cable HR PDX 50 Meters		1,135
61044735	Cable HR PDX 60 Meters		1,455
61044736	Cable HR PDX 70 Meters		1,650
61044737	Cable HR PDX 80 Meters		1,860
61044738	Cable HR PDX 90 Meters		2,065

Material Number	Material Description	Order Notes	List Price (CAD)
<b>Options, SWC515 PinMount™ Size 1</b>			
72206154	Dead Stand SWC515 CS S1	Passive support for level control systems, zinc plated carbon steel	720
72206155	Dead Stand SWC515 SS S1	Passive support for level control systems, stainless	1,775
72247333	Spacer Plate SWC515 316 S1	Plate for replacing load cell w/o lifting tank, useful for fixed piping , 316 stainless	850
72245532	Spacer Plate SWC515 CS S1	Plate for replacing load cell w/o lifting tank, useful for fixed piping , carbon steel	332
72206153	Spacer Plate SWC515 SS S1	Plate for replacing load cell w/o lifting tank, useful for fixed piping , stainless	690
72242585	Stabilizer SWC515 316 S1	Stabilizer Size 1, 7.5t – 22.5t	680
72205444	Stabilizer SWC515 CS S1	Stabilizer Size 1, 7.5t – 22.5t	352
72205445	Stabilizer SWC515 SS S1	Stabilizer Size 1, 7.5t – 22.5t	580
72247336	Thermal Pad Kit SWC515 316 S1 170C	Comes with 316 stainless spacer plate to be sandwiched between WM top plate and pad. For PinMount 7.5 -22.5t	1,915
72247335	Thermal Pad Kit SWC515 316 S1 80C	Comes with 316 stainless spacer plate to be sandwiched between WM top plate and pad. For PinMount 7.5 -22.5t	1,120
72246648	Thermal Pad Kit SWC515 CS S1 170C	Comes with carbon steel spacer plate to be sandwiched between WM top plate and pad. For PinMount 7.5 -22.5t	1,165
72246647	Thermal Pad Kit SWC515 CS S1 80C	Comes with carbon steel spacer plate to be sandwiched between WM top plate and pad. For PinMount 7.5 -22.5t	990
72207264	Thermal Pad Kit SWC515 SS S1 170C	Comes with stainless spacer plate to be sandwiched between WM top plate and pad. For PinMount 7.5 -22.5t	1,525
72207263	Thermal Pad Kit SWC515 SS S1 80C	Comes with stainless spacer plate to be sandwiched between WM top plate and pad. For PinMount 7.5 -22.5t	895
72247334	Vibration Pad Kit SWC515 316 S1	Comes with 316 stainless spacer plate to be sandwiched between WM top plate and pad. For PinMount 7.5 -22.5t	1,915
72246646	Vibration Pad Kit SWC515 CS S1	Comes with carbon steel spacer plate to be sandwiched between WM top plate and pad. For PinMount 7.5 -22.5t	1,155
72207262	Vibration Pad Kit SWC515 SS S1	Comes with stainless spacer plate to be sandwiched between WM top plate and pad. For PinMount 7.5 -22.5t	1,515
<b>Options, SWC515 PinMount™ Size 2</b>			
72249173	Dead Stand SWC515 CS S2	Passive support for level control systems, zinc plated carbon steel	1,275
72249174	Dead Stand SWC515 SS S2	Passive support for level control systems, stainless	2,950
72249203	Spacer Plate SWC515 CS S2	Plate for replacing load cell w/o lifting tank, useful for fixed piping , carbon steel	332
72249206	Spacer Plate SWC515 SS S2	Plate for replacing load cell w/o lifting tank, useful for fixed piping , stainless	885
72248968	Stabilizer SWC515 CS S2	Stabilizer Size 2, 20t – 50t	570
72248969	Stabilizer SWC515 SS S2	Stabilizer Size 2, 20t – 50t	940
72255074	Thermal Pad Kit SWC515 CS S2 170C	Comes with carbon steel spacer plate to be sandwiched between WM top plate and pad. For PinMount 20t-50t.	2,005
72255073	Thermal Pad Kit SWC515 CS S2 80C	Comes with carbon steel spacer plate to be sandwiched between WM top plate and pad. For PinMount 20t-50t.	810
72255077	Thermal Pad Kit SWC515 SS S2 170C	Comes with stainless spacer plate to be sandwiched between WM top plate and pad. For PinMount 20t-50t.	2,560
72255076	Thermal Pad Kit SWC515 SS S2 80C	Comes with stainless spacer plate to be sandwiched between WM top plate and pad. For PinMount 20t-50t.	1,325
72255072	Vibration Pad Kit SWC515 CS S2	Comes with carbon steel spacer plate to be sandwiched between WM top plate and pad. For PinMount 20t-50t.	1,205
72255075	Vibration Pad Kit SWC515 SS S2	Comes with stainless spacer plate to be sandwiched between WM top plate and pad. For PinMount 20t-50t.	1,605

Material Number	Material Description	Order Notes	List Price (CAD)
<b>Options, SWC515 PinMount™ Size 3</b>			
72249175	Dead Stand SWC515 CS S3	Passive support for level control systems, zinc plated carbon steel	2,110
72249176	Dead Stand SWC515 SS S3	Passive support for level control systems, stainless	4,380
72249213	Spacer Plate SWC515 CS S3	Plate for replacing load cell w/o lifting tank, useful for fixed piping , carbon steel	720
72249214	Spacer Plate SWC515 SS S3	Plate for replacing load cell w/o lifting tank, useful for fixed piping , stainless	1,565
72248970	Stabilizer SWC515 CS S3	Stabilizer Size 3, 90 – 100t	630
72248971	Stabilizer SWC515 SS S3	Stabilizer Size 3, 90 – 100t	1,075
72255080	Thermal Pad Kit SWC515 CS S3 170C	Comes with carbon steel spacer plate to be sandwiched between WM top plate and pad. For PinMount 90-100t.	2,110
72255079	Thermal Pad Kit SWC515 CS S3 80C	Comes with carbon steel spacer plate to be sandwiched between WM top plate and pad. For PinMount 90-100t.	1,240
72255083	Thermal Pad Kit SWC515 SS S3 170C	Comes with stainless spacer plate to be sandwiched between WM top plate and pad. For PinMount 90-100t.	2,950
72255082	Thermal Pad Kit SWC515 SS S3 80C	Comes with stainless spacer plate to be sandwiched between WM top plate and pad. For PinMount 90-100t.	2,090
72255078	Vibration Pad Kit SWC515 CS S3	Comes with carbon steel spacer plate to be sandwiched between WM top plate and pad. For PinMount 90-100t.	2,470
72255081	Vibration Pad Kit SWC515 SS S3	Comes with stainless spacer plate to be sandwiched between WM top plate and pad. For PinMount 90-100t.	3,295
<b>SLC611 Analog Load Cell</b>			
30058061	LOAD CELL SLC611 15T/33K 12M		1,445
30058062	Load Cell SLC611 22.5T/49.6K 12M		1,445
30058060	LOAD CELL SLC611 7.5T/16.5K 12M		1,445
<b>SLC611D Powercell Load Cell</b>			
30092515	Load Cell SLC611D-7.5t C3		1,895
30092516	Load Cell SLC611D-15t C3		1,895
30092517	Load Cell SLC611D-22.5t C3		1,895
<b>SLC820 Powercell PDX Load Cell</b>			
42904882	Load Cell SLC820-20t OIML C3		2,190
42904883	Load Cell SLC820-30t N10KIIL-M/C3		2,815
42904891	Load Cell SLC820-50t N10KIIL-M/C3		2,915
72238150	Load Cell SLC820-90t PDX N10KIIL-M/C3		6,320
<b>Dummy Load Cells</b>			
72188112	Load Cell Dummy 0782 100T	Dummy sensors for Pinmount analog 100t	331
72188111	Load Cell Dummy 0782 20-50T	Dummy sensors for Pinmount analog, 20-50t	332
72255084	Load Cell Dummy 50T PDX	Dummy sensors for Powermount PDX 20-50t	332
72206152	Load Cell Dummy SLC610 22.5T	Dummy load cell for use with WM hardware for level control.	352
30238196	Load Cell Dummy SLC611 / SLC611D	Dummy sensors for Powermount digital 0-22.5t	call
30085236	Load Cell Dummy SLC820 90t	Dummy sensors for Powermount 90t	630
<b>Wiring / Cable Kits</b>			
61045292	KOP PDX Wiring 3LC 10MCBL		1,215
61045291	KOP PDX Wiring 3LC 5MCBL	5 meters long, equipped with resistance for 3 PDX sensors	1,055
61045294	KOP PDX Wiring 4LC 10MCBL		1,705
61045293	KOP PDX Wiring 4LC 5MCBL		1,455

# Commercial Tension Weigh Modules

## SWS310/SLS410



### Economic System Integration

#### Suspended Weighing

Ideal for suspended tanks & hoppers. The kit contains all parts necessary for accurate weighing and to facilitate thermal expansion and contraction.

#### Safety & Protection

Features include load cell isolation and grounding strap to protect the load cell from stray currents. High ultimate Load Limit of 300%. Peace of mind.

#### Ease of Installation/Service

Because provision for mounting, accuracy and safety are built-in these suspended weighing systems are easy to integrate.

[www.mt.com/tension-wm](http://www.mt.com/tension-wm)



#### Protection Rating

IP67

#### Metrology

Accuracy 0.03%

#### Standard Features

- Zinc-plated mild steel clevis
- Zinc-plated carbon steel mounting hardware
- Teflon lined rod end bearings
- Summing J-box Sold Separately
- Nylon washers between clevis and rod ends
- Nickel-plated alloy tool steel
- Grounding strap
- 3mV/V output

#### Accessories

- See Weigh Modules Accessories page
- NOTES: Install a secondary support system of safety chains or other means to prevent damage or physical harm in case of weigh mo

Material Number	Legacy Number	Material Description	Maximum Capacity	Load Cell	Material	Shipping Weight	List Price (CAD)	
61041096	61041096	Weigh Module SWS310 50LB SLS410	50 lb / 22 kg	(19.7ft) cable; SLS410	Zinc plated steel	3 lb	745	
61041097	61041097	Weigh Module SWS310 100LB SLS410	100 lb / 44.5 kg				745	
61041098	61041098	Weigh Module SWS310 200LB SLS410	200 lb / 89 kg				745	
61041099	61041099	Weigh Module SWS310 300LB SLS410	300 lb / 133 kg				745	
61041100	61041100	Weigh Module SWS310 500LB SLS410	500 lb / 222 kg			5 lb	800	
61041101	61041101	Weigh Module SWS310 750LB SLS410	750 lb / 333 kg				800	
61041102	61041102	Weigh Module SWS310 1K SLS410	1,000 lb / 445 kg				800	
61041103	61041103	Weigh Module SWS310 1.5K SLS410	1,500 lb / 667 kg				800	
61041104	61041104	Weigh Module SWS310 2K SLS410	2,000 lb / 890 kg				6 lb	800
61041105	61041105	Weigh Module SWS310 3K SLS410	3,000 lb / 1,330 kg				7 lb	850
61041106	61041106	Weigh Module SWS310 5K SLS410	5,000 lb / 2,225 kg				13 lb	1,155
61041107	61041107	Weigh Module SWS310 10K SLS410	10,000 lb / 4,450 kg			14 lb	1,155	
61041108	61041108	Weigh Module SWS310 15K SLS410	15,000 lb / 6,675 kg			38 lb	2,270	
61041109	61041109	Weigh Module SWS310 20K SLS410	20,000 lb / 8,900 kg			50 lb	2,860	

# Commercial Tension Weigh Modules

## SWS310/SLS510



### Economic System Integration

#### Suspended Weighing

Ideal for suspended tanks & hoppers. The kit contains all parts necessary for accurate weighing and to facilitate thermal expansion and contraction.

#### Safety & Protection

Features include load cell isolation and earthing strap to protect the load cell from stray currents. High ultimate Load Limit of 300%. Peace of mind.

#### Ease of Installation/Service

Because provision for mounting, accuracy and safety are built-in these suspended weighing systems are easy to integrate.

[www.mt.com/tension-wm](http://www.mt.com/tension-wm)



**Protection Rating** IP67

**Material** Zinc plated steel

**Hazardous Approval** FM; cFM

- Standard Features**
- Zinc Plated Carbon Steel Mounting Clevis
  - Summing J-box Sold Separately
  - Stainless Steel Model SLS510 S-type 3 mV/V load cell
  - Stainless Steel Grounding Strap Routes Stray Current Around S-Cell
  - High Strength Teflon Lined Spherical Rod End Bearings
  - Fully assembled weigh modules

- Approvals**
- OIML R60 C3
  - NTEP 5000d Class III, 10,000d Class IIIL, SLS510 COC# 11-020 (50-15000 lb)
  - Factory Mutual (FM) (all load cells) & ATEX

- Accessories**
- NOTES: Install a secondary support system of safety chains or other means to prevent damage or physical harm in case of weigh mo
  - ACCESSORIES: See Weigh Modules



Material Number	Legacy Number	Material Description	Maximum Capacity	Load Cell	Metrology	Shipping Weight	List Price (CAD)
61042162	61042162	Weigh Module SWS310 3000LB SLS510	3,000 lb	6m (19.7 ft) cable; SLS510		5 lb	1,045



Material Number	Legacy Number	Material Description	Maximum Capacity	Load Cell	Metrology	Shipping Weight	List Price (CAD)	
61042153	61042153	Weigh Module SWS310 50LB SLS510	50 lb	6m (19.7 ft) cable; SLS510	NTEP III 5M, IIIIL 10M	2 lb	850	
61042154	61042154	Weigh Module SWS310 100LB SLS510	100 lb				850	
61042155	61042155	Weigh Module SWS310 200LB SLS510	200 lb				850	
61042156	61042156	Weigh Module SWS310 300LB SLS510	300 lb				850	
61042157	61042157	Weigh Module SWS310 500LB SLS510	500 lb			5 lb	885	
61042158	61042158	Weigh Module SWS310 750LB SLS510	750 lb				885	
61042159	61042159	Weigh Module SWS310 1000LB SLS510	1,000 lb				885	
61042160	61042160	Weigh Module SWS310 1500LB SLS510	1,500 lb				885	
61042161	61042161	Weigh Module SWS310 2000LB SLS510	2,000 lb				885	
61042163	61042163	Weigh Module SWS310 5000LB SLS510	5,000 lb				12 lb	1,305
61042164	61042164	Weigh Module SWS310 10K SLS510	10,000 lb			1,305		
61043308	61043308	Weigh Module SWS310 15K SLS510	15,000 lb			6m (19.7 ft) cable; SLS510; SLS511	33 lb	2,690
61043309	61043309	Weigh Module SWS310 20K SLS510	20,000 lb				Accuracy 0.03%	47 lb

# Junction Boxes

## Precision Junction Boxes



### The Precise Link

#### All on Board

Precision Junction Boxes are suitable for quick and stable connection of multiple load cells to weighing terminals. Unique combination of discrete resistors with rotary switches for stability.

#### High Protection

Stainless steel housing, stiff lid and quality conduits provide a high degree of reliability. Extra large housing for convenient installation.

[www.mt.com/junctionboxes](http://www.mt.com/junctionboxes)



Material Number	Material Description	Material	Load Cell	Protection Rating	Hazardous Approval	List Price (CAD)
30206113	Precision Junction Box AJB540L	Stainless Steel V2A (AISI 304)	2 to 4	IP 65		650

Stainless steel housing, stiff lid and quality conduits provide a high degree of reliability. Mid size housing.

#### Extension for further boxes

Further boxes can be connected via AUX terminal. Thus systems with more than 4 load cells are possible.



Material Number	Material Description	Material	Load Cell	Protection Rating	Hazardous Approval	List Price (CAD)
30206111	Precision Junction Box AJB541M	Stainless Steel V2A (AISI 304)	2 to 4	IP 65		510

Stainless steel housing, stiff lid and quality conduits provide a high degree of reliability. Small size housing.

#### Extension for further boxes

Further boxes can be connected via AUX terminal. Thus systems with more than 4 load cells are possible.



Material Number	Material Description	Material	Load Cell	Protection Rating	Hazardous Approval	List Price (CAD)
30206112	Precision Junction Box AJB540S	Stainless Steel V2A (AISI 304)	2 to 4	IP 65		382



Material Number	Material Description	Material	Load Cell	Protection Rating	Hazardous Approval	List Price (CAD)
30206108	Precision Junction Box AJB641S IP69K	Stainless Steel V2A (AISI 304)	2 to 4	IP69k		495
30070226	Precision Junction Box AJB841S	Stainless Steel V4A (AISI 316)				605

## The Precise Link - Hazardous Approval

### All on Board

Precision Junction Boxes are suitable for quick and stable connection of multiple load cells to weighing terminals. Unique combination of discrete resistors with rotary switches for stability.

### High Protection

Stainless steel housing, stiff lid and quality conduits provide a high degree of reliability. Small size housing.

### ATEX Approval

Zone 1, 21 and 2, 22 approval - for use in hazardous area



Material Number	Material Description	Material	Load Cell	Protection Rating	Hazardous Approval	List Price (CAD)
30070225	Precision Junction Box AJB841SX	Stainless Steel V4A (AISI 316)	2 to 4	IP69k	ATEX Zone 1/ 21 & 2/22	820
30070224	Precision Junction Box AJB641SX	Stainless Steel V2A (AISI 304)				570

## Precision Junction Boxes Accessories

Material Number	Material Description	Order Notes	List Price (CAD)
<b>Miscellaneous</b>			
30093314	PCBAC, AJB641SX AJB841SX		409

# Analog Junction Boxes

## Analog Junction Boxes



### Easy Connection

#### All on Board

Analog junction boxes are suitable for quick and simple connection of multiple load cells to weighing terminals. Integrated shift adjustment allow for minimal corner error by using a screw driver. No soldering or separate resistors necessary.

#### High Protection

Stainless steel housing, stiff lid and quality conduits provide a high degree of reliability.

[www.mt.com/junctionboxes](http://www.mt.com/junctionboxes)

**Protection Rating** IP65  
**Material** Stainless Steel



Material Number	Legacy Number	Material Description	Load Cell	Function	Cable	Hazardous Approval	Shipping Weight	List Price (CAD)
61039987	TB100743-7P	Junction Box ANA 7HL BM VEH Plugged	Up to 6				2 lb	970

#### Spare board for analog junction box 61039987

Stainless steel housing, stiff lid and quality conduits provide a high degree of reliability.

Material Number	Legacy Number	Material Description	Load Cell	Function	Cable	Hazardous Approval	Shipping Weight	List Price (CAD)
71210773	14019800A	SPARE BOARD,P-CBAC,7H ANA						855

Material Number	Legacy Number	Material Description	Load Cell	Function	Cable	Hazardous Approval	Shipping Weight	List Price (CAD)
61005971	TB100451	J-Box Assy, Splice, ana spl 2-h conduit	1 to 1	Load Cell Cable Extension	LC 4.8-6.4mm (0.19-0.25")		2 lb	437

#### Spare Board for analog junction box 71208942

Material Number	Legacy Number	Material Description	Load Cell	Function	Cable	Hazardous Approval	Shipping Weight	List Price (CAD)
71207786	71207786	PCB AJB015 SPARE						274

#### Spare board for analog junction boxes 61005972, 61038201, 61005973, 61038197

Material Number	Legacy Number	Material Description	Load Cell	Function	Cable	Hazardous Approval	Shipping Weight	List Price (CAD)
71210772	13640300A	PCBAC,JBOX 5H,6H ANA ATEX SPARE						443

# Accessories

## Weigh Module Accessories

Material Number	Legacy Number	Material Description	Material	Shipping Weight	List Price (CAD)
61040129	TA601227	0970,SHROUD,ASSEMBLY,.25-5T,SS	Stainless Steel		457
61006641	510624370	Cable 24GA 6COND .245OD SHIELD POLY	Stainless Steel		7
61006640	510620370	CABLE 6-COND 20GA SHIELD POLY		9	
61040251	MZ1203000027	Cable 6COND 20GA Shield FEP		35	
61010646	TN600760	DR TEMPL BOT 0-2.2T FM-CL		1 lb	67
61010647	TN600761	DR TEMPL BOT 4.4T FM-CL	Stainless Steel	2 lb	79
61010640	TN600681	DR TEMPL TOP 0-2.2T FM-CL		1 lb	60
61010641	TN600682	DR TEMPL TOP 4.4T FM-CL		2 lb	76

## Control Movement

### Conveyors

When settling time is critical, apply stabilizers to the weigh module to steady the scale & produce stable readings faster.

### Dynamic Scales

If dynamic forces due to mixers or vibrators are present while weighing, use stabilizers to steady the scale for more stable & accurate readings.

### Note

Two stabilizers may be applied to each weigh module.

[www.mt.com/ind-multimount](http://www.mt.com/ind-multimount)



Material Number	Legacy Number	Material Description	Material	Shipping Weight	List Price (CAD)
30040931		Stabilizer SWB505 MM 316 5-300kg	Stainless Steel V4A (AISI 316)		202
30040930		Stabilizer SWB505 MM SS 5-300kg	Stainless Steel V2A (AISI 304)		187

[www.mt.com/weighmodules](http://www.mt.com/weighmodules)

Material Number	Legacy Number	Material Description	Material	Shipping Weight	List Price (CAD)
61046401		Stabilizer SWB505 316 S2	Stainless Steel V4A (AISI 316)		137
61046406		Stabilizer SWB505 316 S3		289	
61046399		Stabilizer SWB505 CS S2	Carbon Steel; Zinc Plated steel		145
61046404		Stabilizer SWB505 CS S3		174	
61046400		Stabilizer SWB505 SS S2	Stainless Steel V2A (AISI 304)		202
61046405		Stabilizer SWB505 SS S3		251	

## Eases Load Cell Replacement

### If Tank Cannot be Lifted

If the tank cannot be lifted - e.g., due to rigid pipes - the spacer plate can be removed allowing removal of load cell without disturbing the tank.

[www.mt.com/3390\\_Gagemount\\_WM](http://www.mt.com/3390_Gagemount_WM)



Material Number	Legacy Number	Material Description	Material	Shipping Weight	List Price (CAD)
72192265	72192265	Spacer Plate 3390 GM SS 20t-50t	Stainless Steel	82 lb	464
72192266	72192266	Spacer Plate 3390 SS 100T			1,655

## Economic Module Substitute

### Liquid Level Control

Dead stands provide an economic solution for coarse level control of liquids. Depending on tank design, dead stands replace some weigh modules.

### Note

Because of physics, system accuracy is reduced. Use only in the coarse level control of liquids.

### Rough Construction Conditions

Use dead stands for rough construction phase (with welding, shocks, unskilled staff, etc.); replace before commissioning by the actual weigh modules.

[www.mt.com/ind-multimount](http://www.mt.com/ind-multimount)



Material Number	Legacy Number	Material Description	Material	Shipping Weight	List Price (CAD)
61046402		Dead Stand 0958/SWB505 SS S2 EP	Stainless Steel V2A (AISI 304)		1,065
61046407		Dead Stand 0958/SWB505 SS S3			1,355
61046403		Dead Stand SWB505 316 S2	Stainless Steel V4A (AISI 316)		1,365
61046408		Dead Stand SWB505 316 S3			1,795

Dead stands provide an economic solution for coarse level control of liquids. Depending on tank design, dead stands replace some weigh modules.

### Note

Because of physics, system accuracy is reduced. Use only in the coarse level control of liquids.

### Conditions de construction difficiles

Il est recommandé d'utiliser les faux montages pour la phase de construction difficile (avec soudage, chocs, personnel non qualifié, etc.) et de les remplacer avant la mise en service par des modules de pesage réels.

[www.mt.com/0972\\_Ultramount\\_WM](http://www.mt.com/0972_Ultramount_WM)



Material Number	Legacy Number	Material Description	Material	Shipping Weight	List Price (CAD)
30025913		Dead Stand SWB505 MM 316 5-300kg S1	Stainless Steel V4A (AISI 316)		356
30025909		Dead Stand SWB505 MM SS 5-300kg S1			299

### Rough Construction Conditions

Use dead stands for rough construction phase (with welding, shocks, unskilled staff, etc.); replace before commissioning by the actual weigh modules.



Material Number	Legacy Number	Material Description	Material	Shipping Weight	List Price (CAD)
61010624		Dead Stand 0958/SWB505 CS S2 ZN	Mild Steel painted		499
61010625		Dead Stand 0958/SWB505 CS S3 ZN			755

<http://www.mt.com>



Material Number	Legacy Number	Material Description	Material	Shipping Weight	List Price (CAD)
69033864	TA601039	Dead Stand 0972 CS 200KG	Stainless Steel V2A (AISI 304)		265

## Load Cell Substitute

### Liquid Level Control

Dummy load cells provide an economic solution for level control of liquids. Depending on tank design, some load cells are replaced by dummies.

### Note

Because of physics, system accuracy is reduced. Use only in the level control of liquids.

[www.mt.com/weighmodules](http://www.mt.com/weighmodules)

Material Number	Legacy Number	Material Description	Material	Shipping Weight	List Price (CAD)
61038570	17092200A	Load Cell Dummy RLC SS 10T	Stainless Steel		446
61037335	TA601085	Load Cell Dummy RLC SS 5T			374

### Rough Construction Conditions

Use dummy load cells for rough construction phase (with welding, shocks, unskilled staff, etc.); replace before commissioning by actual load cells.



Material Number	Legacy Number	Material Description	Material	Shipping Weight	List Price (CAD)
61005964	TA600417	Load Cell Dummy 0745 SS 10K	Stainless Steel		313
68000714	TA600415	Load Cell Dummy 0745 SS 2.5K			238
61005963	TA600416	Load Cell Dummy 0745 SS 5K			269

[www.mt.com/SWC515\\_Pinmount\\_WM](http://www.mt.com/SWC515_Pinmount_WM)

Material Number	Legacy Number	Material Description	Material	Shipping Weight	List Price (CAD)
72206152	72206152	Load Cell Dummy SLC610 22.5T	Stainless Steel	5 lb	352



Material Number	Legacy Number	Material Description	Material	Shipping Weight	List Price (CAD)
72255084	72255084	Load Cell Dummy 50T PDX	Stainless Steel	5 lb	332

## Protect from Thermal Effects

### Scale Protection

Acetal pads protect the weigh module & especially the load cells from thermal damage. Increase reliability & life of the equipment.

### Improved Accuracy

Thermal pads improve accuracy & stability of weight reading by reducing temp. changes & thermal gradient across the load cell.

### Note

Pad is installed between top plate & tank leg.

## Weigh Modules



Material Number	Legacy Number	Material Description	Material	Shipping Weight	List Price (CAD)
61010620	TA600762	Thermal Pad SWB505 S2 80C 1.00IN	Acetal	1 lb	167
61010621	TA600763	Thermal Pad SWB505 S3 80C 1.00IN		2 lb	271

Thermal pads protect the weigh module & especially the load cells from thermal damage. Increase reliability & life of the equipment.

### Improved Accuracy

Thermal pads improve accuracy & stability of weight reading by reducing temp. changes & thermal gradient across the load cell.

### Note

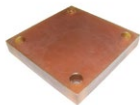
Pad is installed between top plate & tank leg.

<http://www.mt.com>



Material Number	Legacy Number	Material Description	Material	Shipping Weight	List Price (CAD)
61037314	TA601074	Thermal Pad 0970 5T 80C 0.50IN	Acetal	1 lb	240

[www.mt.com](http://www.mt.com)



Material Number	Legacy Number	Material Description	Material	Shipping Weight	List Price (CAD)
61038875	TA601083-ULT	Thermal Pad 0970 10T 170C 1.00IN	Polyether Imide PEI	1 lb	1,595
61037446	TA601074-PEI	Thermal Pad 0970 5T 170C 0.50IN			510

## Protection from Thermal Effects

### Scale Protection

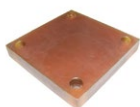
PEI pads protect the weigh module & especially the load cells from thermal damage. Increase reliability & life of the equipment.

### Improved Accuracy

Thermal pads improve accuracy & stability of weight reading by reducing temp. changes & thermal gradient across the load cell.

### Note

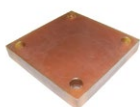
Pad is installed between top plate & tank leg.



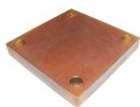
Material Number	Legacy Number	Material Description	Material	Shipping Weight	List Price (CAD)
61024642		Thermal Pad SWB505 S2 170C 1.00IN	Polyether Imide PEI		700
61037510		Thermal Pad SWB505 S3 170C 1.00IN			1,110

Pad is installed between top plate & tank leg.

[www.mt.com/SWC515\\_Pinmount\\_WM](http://www.mt.com/SWC515_Pinmount_WM)



Material Number	Legacy Number	Material Description	Material	Shipping Weight	List Price (CAD)
30040933		Therm Pad 80C SWB505 MM 5-300kg S1			256



Material Number	Legacy Number	Material Description	Material	Shipping Weight	List Price (CAD)
72207396	72207396	Thermal Pad SWC515 S1 170C 1.00IN	Polyether Imide PEI		1,025



Thermal pads protect the weigh module & especially the load cells from thermal damage. Increase reliability & life of the equipment.

#### Improved Accuracy

Thermal pads improve accuracy & stability of weight reading by reducing temp. changes & thermal gradient across the load cell.

#### Note

Spare only - do not use without spacer plate

[www.mt.com/ind-multimount](http://www.mt.com/ind-multimount)



Material Number	Legacy Number	Material Description	Material	Shipping Weight	List Price (CAD)
30040935		Therm Pad 170C SWB505 MM 5-300kg S1			525

## Reduce Shock & Vibration

#### Scale Protection

Fabreeka pads protect the scale & especially the load cells from vertical shock/impact loads. Increase reliability & life of the equipment.

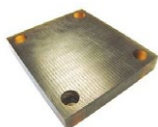
#### Improved Accuracy

Fabreeka pads improve accuracy & stability of weight reading by reducing mechanical vibration transmitted to the load cell.

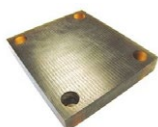
#### Note

Pad is installed between top plate & tank leg. Material is synthetic rubber impregnated fabric.

[www.mt.com](http://www.mt.com)

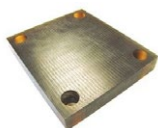


Material Number	Legacy Number	Material Description	Material	Shipping Weight	List Price (CAD)
61005938	TA600045	Vibration Pad 0958 10K 1.00IN	Rubber fabric	2 lb	364
61005965	TA600445	Vibration Pad 0958 5K 1.00IN		1 lb	216



Material Number	Legacy Number	Material Description	Material	Shipping Weight	List Price (CAD)
61038873	TA601083-FAB	Vibration Pad 0970 10T 1.00IN	Rubber fabric	1 lb	980
61036187	TA601020	Vibration Pad 0970 5T 0.50IN			289

[www.mt.com/0972\\_Ultramount\\_WM](http://www.mt.com/0972_Ultramount_WM)



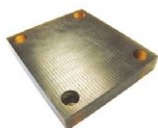
Material Number	Legacy Number	Material Description	Material	Shipping Weight	List Price (CAD)
69033863	TA600919	Vibration Pad 0972 200KG 0.50IN	Rubber fabric	1 lb	119

Vibration pads protect the scale & especially the load cells from vertical shock/impact loads. Increase reliability & life of the equipment.

#### Improve Accuracy

Vibration pads improve accuracy & stability of weight reading by reducing mechanical vibration transmitted to the load cell.

[www.mt.com/ind-multimount](http://www.mt.com/ind-multimount)



Material Number	Legacy Number	Material Description	Material	Shipping Weight	List Price (CAD)
30040932		Shock/Vib Pad SWB505 MM 5-300kg S1	Rubber fabric		165



# Applied High Precision Weigh Modules

## WXS

Please contact Steve Grimm or Tim Toth for APW consultation

### The Solution for Automated Precision Weighing

#### Maximum Flexibility

Thanks to its ultra-low profile and unlimited accessibility, the load cell can be integrated virtually anywhere, while the electronic unit and the optional terminal can be placed in any convenient location

#### High Performance

Automated weighing with 10-microgram resolution in second-intervals guarantees high productivity paired with seamless quality control and traceability.

#### Rugged Design

The stainless steel housing with attachment flanges and industrial-strength plug is highly durable and guarantees optimal reliability and a long life.

[www.mt.com/WX](http://www.mt.com/WX)



Material Number	Legacy Number	Material Description	Maximum Capacity	Resolution	Repeatability	Linearity	Shipping Weight	List Price (CAD)
11121001	WXSS205	Weigh Module WXSS205	220 g	0.01 mg	0.04 mg	0.15 mg	13.8 lb	14,930
11121021	WXSS204	Weigh Module WXSS204		0.1 mg	0.1 mg	0.25 mg		10,580
11121006	WXSS205DU	Weigh Module WXSS-205DU			0.07 mg	0.2 mg	14.8 lb	13,900



Material Number	Legacy Number	Material Description	Maximum Capacity	Resolution	Repeatability	Linearity	Shipping Weight	List Price (CAD)
11121003	WXS205S/15	Weigh Module WX-S205S/15	220 g	0.01 mg	0.04 mg	0.15 mg	13.8 lb	13,820
11121023	WXS204S/15	Weigh Module WX-S204S/15			0.1 mg	0.25 mg		9,820
11121008	WXS205S-DU/15	Weigh Module WX-S205SDU/15		0.1 mg	0.07 mg	0.2 mg	14.8 lb	11,760
11121308	WXS205S-DUV/15	Weigh Module WX-S205SDUV/15						10,720



Material Number	Legacy Number	Material Description	Maximum Capacity	Resolution	Repeatability	Linearity	Shipping Weight	List Price (CAD)
11121390	11121390	Weigh Module WX-S26S/15	22 g	0.001 mg	0.003 mg	0.02 mg		23,910
11121467	11121467	Weigh Module WX-S26SDU/15		0.01 mg	0.006 mg	0.03 g		19,530

## Automated Precision Weighing



Material Number	Legacy Number	Material Description	Maximum Capacity	Resolution	Repeatability	Linearity	Shipping Weight	List Price (CAD)
11121214		Weigh Module WX-S206SDU/15	220 g	0.1 mg	0.001 mg	0.2 mg	14.8 lb	14,690
Material Number	Legacy Number	Material Description	Maximum Capacity	Resolution	Repeatability	Linearity	Shipping Weight	List Price (CAD)
11121388	WXSS26	Weigh Module WXSS26	22 g	0.001 mg	0.003 mg	0.2 mg	13.8 lb	25,870
11121465	11121465	Weigh Module WXSS-26DU		0.01 mg	0.006 mg	0.3 mg		20,450

# Applied High Precision Weigh Modules

## WMC

Please contact Steve Grimm or Tim Toth for APW consultation

### Ultra-Compact weigh module

#### Ultra-Compact

The WMC weighing modules feature state-of-the-art weighing performance in a sensor with a revolutionary 1 inch width.

#### Precise

Do not let size deceive you: this sensor resolves 2,000,000 divisions with highest precision and quick stabilization.

#### Versatile

Compact size, rugged design and direct connectivity offer flexible integration in many applications in laboratory and production environments.

[www.mt.com/WMC](http://www.mt.com/WMC)



Material Number	Legacy Number	Material Description	Maximum Capacity	Resolution	Repeatability	Linearity ±	List Price (CAD)
11149009	11149009	Weigh Module WMC15-SH	11 g	0.01 mg	0.02 mg	0.05 mg	13,770
11149000	11149000	Weigh Module WMC25-SH	21 g				15,960
11149002	11149002	Weigh Module WMC24-SH		0.1 mg	0.1 mg	0.2 mg	11,040

### WMC Accessories

Material Number	Material Description	Order Notes	List Price (CAD)
<b>Accessories</b>			
11116543	TWEEZERS 1MG-50G (140mm)		44
<b>Cables</b>			
11132129	Terminal cable 0.945m		146
11132133	Terminal cable 2m		159
11132124	Terminal cable large XP XS	Terminal electronic unit connector cable, 6-pin / 1.95 ft.	80
<b>Connection Cables</b>			
11103691	Cable USB/RS232	Converter	238
<b>Data Interfaces Options</b>			
11132515	Option Ethernet	EtherNet Interface	575
11132505	OPTION LC	LocalCAN	183
11132510	OPTION MINIMETTLER	MiniMettler	326
11132520	OPTION PS/2	PS/2 Interface	343
11132500	OPTION RS232	RS232 interface	296
<b>Draft Shields</b>			
30008126	WMC draft shield high		162
30005371	WMC standard draft shield		120

Material Number	Material Description	Order Notes	List Price (CAD)
<b>E2</b>			
158427	Weight 10g E2 CAL, PL Box		218
158437	Weight 20g E2 CAL, PL Box		269
158417	Weight 5g E2 CAL, PL Box		250
<b>Fieldbus Modules</b>			
11601007	D-SUB9 MALE-MALE	Connection Cable to Fieldbus Module	85
42102810	DEVICENET-MODULE		680
11141979	DSUB9-OPENEND	Connection Cable to Fieldbus Module	98
42102860	ETHERNET/IP-MODULE		2,105
42102809	PROFIBUS-MODULE		1,335
42102859	PROFINET-IO-MODULE		2,105
<b>Spare Modules</b>			
11121057	Terminal SWT		2,290
<b>Installation Parts</b>			
11121254	ASSEMBLY BRACKET WX		193
11121255	TERMINAL SUPPORT WX		371
30005374	WMC plastic cover		97
<b>Load Plates</b>			
30005372	WMC adapter weighing pan		135
30005370	WMC Weighing pan D15	Round Weigh Pan is only available for units with a capacity of 400g or less	60
<b>OIML</b>			
11123006	CarePac 20g F1 / 1g E2 Cal		815
<b>Power Supply and Protection</b>			
11107909	Bench Power Supply XP/XS		337
<b>Protective Covers</b>			
11132570	Protective cover terminal XP		88
11106870	Protective cover XS/XS		73
<b>Spare Modules</b>			
11149026	Rep Kit WMC15-E	Electronics Unit Only	5,865
11149011	Rep Kit WMC15-OH	Weighing Cell Only	9,215
11149028	Rep Kit WMC24-E	Electronics Unit Only	6,250
11149003	Rep Kit WMC24-OH	Weighing Cell Only	6,735
11149027	Rep Kit WMC25-E	Electronics Unit Only	6,250
11149001	Rep Kit WMC25-OH	Weighing Cell Only	10,220
<b>Spare Modules</b>			
11121058	PWT		call
<b>Weights Accessories</b>			
11116544	TWEEZER_223mm_MT_LOGO		59
15901	TWEEZERS 1G-1KG (210mm)		114
11116540	TWEEZERS 1G-200G (130mm)		53
15900	TWEEZERS 1MG-50G (130mm)		82

# Applied High Precision Weigh Modules

## WMS



Please contact Steve Grimm or Tim Toth for APW consultation

### High-Precision Weigh Module

#### High precision

The WMS weigh modules guarantee high precision for any environment thanks to individual selection of filter characteristics and stability criteria

#### Rugged Design

The extremely robust stainless steel design and the built-in overload protection guarantee high reliability, long lifetime and easy handling.

#### Fast

Designed to meet the most demanding customer specifications. The WMS is a high speed high accuracy weigh module with a split-second stabilization time.

[www.mt.com/WMS](http://www.mt.com/WMS)



Order Notes: The WMS Does not come standard with a weigh pan; you must order it separately

#### Standard Features

- Rugged – overload protection built into platform
- RC\* = Rear Connection
- Precise – up to 0.1 mg resolution
- Fast – typical stabilization times below .8s / 92 updates per second
- Discrete I/O 3 in & 3 out
- Direct – simple data connection – without terminal



Material Number	Internal Calibration	Material Description	Maximum Capacity	Resolution	Dimensions (L x W x H)	Protection Rating	List Price (CAD)
30008490	Yes	Weigh Module WM-S104C-L	120 g	0.1 mg	268 mm x 59 mm x 126 mm	IP54	11,710
30008491	Yes	Weigh Module WM-S104C-W				IP66	12,970
11152100	Yes	Weigh Module WM-S404C-L	410 g	IP54		12,630	
11152101	Yes	Weigh Module WM-S404C-W		IP66		13,900	
11152200	Yes	Weigh Module WM-S1203C-L	1,220 g	1 mg		IP54	11,710
11152201	Yes	Weigh Module WM-S1203C-W		IP66		12,970	
11152300	Yes	Weigh Module WM-S6002C-L	6,200 g	0.01 g		IP54	10,080
11152301	Yes	Weigh Module WM-S6002C-W				IP66	11,490



Material Number	Internal Calibration	Material Description	Maximum Capacity	Resolution	Dimensions (L x W x H)	Protection Rating	List Price (CAD)
30008492	Yes	Weigh Module WM-S104C-L/01	120 g	0.1 mg	268 mm x 59 mm x 126 mm	IP54	11,710
11152104	Yes	Weigh Module WM-S404C-L/01	410 g				12,630
11149704	No	Weigh Module WMS803-L/01	820 g	1 mg			11,180
11152204	Yes	Weigh Module WM-S1203C-L/01	1,220 g				11,710
11149804	No	Weigh Module WMS4002-L/01	4,200 g	0.01 g			8,820
11152304	Yes	Weigh Module WM-S6002C-L/01	6,200 g				10,080

## Automated Precision Weighing



Material Number	Internal Calibration	Material Description	Maximum Capacity	Resolution	Dimensions (L x W x H)	Protection Rating	List Price (CAD)
30008493	Yes	Weigh Module WM-S104C-L/10	120 g	0.1 mg	238 mm x 59 mm x 126 mm	IP54	11,710
30008494	Yes	Weigh Module WM-S104C-W/10				IP66	12,970
11149510	No	Weigh Module WMS204-L/10	220 g			IP54	10,400
11149511	No	Weigh Module WMS204-W/10				IP66	11,710
11152110	Yes	Weigh Module WM-S404C-L/10	410 g			IP54	12,630
11152111	Yes	Weigh Module WM-S404C-W/10				IP66	13,900
11149710	No	Weigh Module WMS803-L/10	820 g	1 mg		IP54	11,180
11149711	No	Weigh Module WMS803-W/10				IP66	12,450
11152210	Yes	Weigh Module WM-S1203C-L/10	1,220 g			IP54	11,710
11149810	No	Weigh Module WMS4002-L/10	4,200 g	0.01 g			8,820
11149811	No	Weigh Module WMS4002-W/10				IP66	10,230
11152310	Yes	Weigh Module WM-S6002C-L/10	6,200 g			IP54	10,080
11152311	Yes	Weigh Module WM-S6002C-W/10			IP66	11,490	



Material Number	Internal Calibration	Material Description	Maximum Capacity	Resolution	Dimensions (L x W x H)	Protection Rating	List Price (CAD)
30008495	Yes	Weigh Module WM-S104C-L/11	120 g	0.1 mg	238 mm x 59 mm x 126 mm	IP54	11,710
11149514	No	Weigh Module WMS204-L/11	220 g				10,400
11152114	Yes	Weigh Module WM-S404C-L/11	410 g				12,630
11149714	No	Weigh Module WMS803-L/11	820 g	1 mg			11,180
11152214	Yes	Weigh Module WM-S1203C-L/11	1,220 g				11,710
11149814	No	Weigh Module WMS4002-L/11	4,200 g	0.01 g			8,820
11152314	Yes	Weigh Module WM-S6002C-L/11	6,200 g			10,080	



## WMS Accessories

Material Number	Material Description	Order Notes	List Price (CAD)
<b>Cables</b>			
11138861	Cable weigh module 180M/10	Connection cable for WM and WMS (straight connector, 10m)	430
11138865	Cable weigh module 90B/10	Left angled connection cable for WM and WMS (90° connector, 10m)	430
11138864	Cable weigh module 90H/10	Right angled connection cable for WM and WMS (90° connector, 10m)	430
11138863	Cable weigh module 90M/10	Connection cable for WM and WMS (90° connector, 10m)	434
11138860	Cable WM 180m/5	Connection cable for WM and WMS (straight connector, 5m)	290
11138862	Cable WM 90m/5	Connection cable for WM and WMS (90° connector, 5m)	290
<b>Connection Modules</b>			
30092965	ConBlock IP66		970
11152000	WMS ConBlock	DIN rail mounting	500
<b>Fieldbus Modules</b>			
11601007	D-SUB9 MALE-MALE	Connection Cable to Fieldbus Module	85
42102810	DEVICENET-MODULE		680
11141979	DSUB9-OPENEND	Connection Cable to Fieldbus Module	98
42102860	ETHERNET/IP-MODULE		2,105
42102809	PROFIBUS-MODULE		1,335
42102859	PROFINET-IO-MODULE		2,105
<b>Installation Parts</b>			
42102807	Bubble level WM		111
30005924	Stainless steel cover		459
<b>Load Plates</b>			
30007731	Pan WMS 58x58		499
30007732	Pan WMS d54	Tray diameter 54mm round weighing. Round Weigh Pan is only available for units with a capacity of 400g or less	299

# Applied High Precision Weigh Modules

## WMF

Please contact Steve Grimm or Tim Toth for APW consultation

### High Precision Weigh Modules

#### Compact Size

Small width of 25mm enables building arrays with minimal pitch and allows multi-line weighing on small space to achieve high throughput in production.

#### Industrial Ethernet

Fully integrated Industrial Ethernet interface (EtherNet/IP) and Ethernet TCP/IP allow direct integration into a real-time automation network.

#### Overload Protection

Robust overload protection protects the weigh module in the event of malfunction of handling devices or mistakes during installation.

#### Scope of Delivery

WMF including adapter weighing platform, user manual, production certificate, declaration of conformity, gasket bottom WMF

#### Order Notes

L = Labryinth, W = Washdown version, IE = EtherNet/IP, PN = ProfiNet

[www.mt.com/WMF](http://www.mt.com/WMF)



Material Number	Material Description	Maximum Capacity	Resolution	Dimensions (L x W x H)	Protection Rating	List Price (CAD)
30282219	Weighing Module WMF204C-L/IE	220 g	0.1 mg	200 mm x 25 mm x 100 mm	IP44	11,500
30282230	Weighing Module WMF204C-W/IE				IP44; IP65	11,790
30282233	Weighing Module WMF303C-L/IE	320 g	1 mg		IP44	11,050
30282234	Weighing Module WMF303C-W/IE				IP44; IP65	11,340
30282231	Weighing Module WMF204C-L/PN	220 g	0.1 mg	200 mm x 25 mm x 100 mm	IP44	11,500
30282232	Weighing Module WMF204C-W/PN				IP44; IP65	11,790
30282235	Weighing Module WMF303C-L/PN	320 g	1 mg		IP44	11,050
30282236	Weighing Module WMF303C-W/PN				IP44; IP65	11,340

### WMF Accessories

Material Number	Material Description	Order Notes	List Price (CAD)
30307194	Air Connector WMF (for cooling function)		82
30300173	Weighing Platform (without threaded holes)		171
30326111	PoE injector to supply power to the weigh module		197
30326110	Ethernet/USB converter to connect to a service PC or laptop		105
30326112	WMF Connection Cable, 2m length	M12 straight - RJ45, Mode A (end span), D-coded male	150
30401900	WMF Connection Cable, 5m length		173
30401920	WMF Connection Cable, 10m length		255

# Applied High Precision Weigh Modules

## WKC

### Compact Weigh Modules

#### Compact Design

Fully integrated electronics help to save space in the machine/instrument design. No additional unit is required for communication.

#### Quick Functionality Test

Thanks to the internal weight, it is possible to check correct functioning of the weigh module at any time, even with preloads.

#### Durable

Stainless-steel housing and coated connection cable protect the weigh module against external physical and electromagnetic influences.

[www.mt.com/WKC](http://www.mt.com/WKC)



Material Number	Material Description	Maximum Capacity	Resolution	Dimensions (L x W x H)	List Price (CAD)
30248307	Weigh Module WKC204C	220 g	0.1 mg	245 mm x 112 mm x 78.5 mm	3,180
30248308	Weigh Module WKC603C	620 g	1 mg	245 mm x 112 mm x 86.5 mm	2,910
30248309	Weigh Module WKC6002C	6,200 g	10 mg	245 mm x 112 mm x 86.5 mm	2,910

### WKC Accessories

Material Number	Material Description	Order Notes	List Price (CAD)
<b>Cables</b>			
30295819	Cable WKC M12 1.5m PU EN	90 deg. M12 connection cable (1.5m, open end)	55
30295821	Cable WKC M12 5m PU EN	90 deg. M12 connection cable (5m, open end)	83
<b>Load Plates</b>			
30315518	Weighing Pan WKC Square Threaded	Square platform with threaded holes for custom fixture attachment	77
<b>Connection Modules</b>			
11152000	WMS ConBlock	DIN rail mounting	500
<b>Test Weights</b>			
30315527	Test Weight, 100g E2 OIML	For external testing and adjustment, 100g	90
30315528	Test Weight, 200g E2 OIML	For external testing and adjustment, 200g	104
30315529	Test Weight, 500g E2 OIML	For external testing and adjustment, 500g	180
30315530	Test Weight, 1000g E2 OIML	For external testing and adjustment, 1000g	249

# Applied High Precision Weigh Modules

## SLP85xD

Please contact Steve Grimm or Tim Toth for APW consultation

### Smart Digital Load Cells

#### Easy Integration

With integrated PROFIBUS DP, PROFINET IO RT and EtherNet/IP interfaces, the SLP85xD series enables quick and easy integration with PLC systems.

#### Quick Fixes

The load cell continuously monitors its health and issues warning messages if there is error potential.

#### Overload Protection

The load cell is protected against static vertical overloads up to 100 kilograms with no shift in performance characteristics.

[www.mt.com/SLP85xD](http://www.mt.com/SLP85xD)

<b>Material</b>	17 - 4 SS
<b>Protection Rating</b>	IP68/69k
<b>Interface Options</b>	EtherNet/IP, ProfiNet, or Profibus



Material Number	Material Description	Maximum Capacity	Resolution	Integrated Application Control	Interfaces	List Price (CAD)
30219372	Load Cell SLP850D-10kg C3 EI-B	10 kg	1 g	None	EtherNet/IP; RS232	1,725
30219360	Load Cell SLP850D-10kg C3 PB-B			None	PROFIBUS DP; RS232	1,725
30219384	Load Cell SLP850D-10kg C3 PN-B			None	ProfiNet; RS232	1,725
30219376	Load Cell SLP852D-10kg C3 Fill/EI-B			Soft Filling	EtherNet/IP; RS232	1,925
30219364	Load Cell SLP852D-10kg C3 Fill/PB-B			Soft Filling	PROFIBUS DP; RS232	1,925
30219388	Load Cell SLP852D-10kg C3 Fill/PN-B			Soft Filling	ProfiNet; RS232	1,925
30219380	Load Cell SLP854D-10kg C3 Fill/EI-B			Hard Filling	EtherNet/IP; RS232	2,120
30219368	Load Cell SLP854D-10kg C3 Fill/PB-B			Hard Filling	PROFIBUS DP; RS232	2,120
30219392	Load Cell SLP854D-10kg C3 Fill/PN-B			Hard Filling	ProfiNet; RS232	2,120
30219374	Load Cell SLP850D-20kg C3 EI-B			20 kg	2 g	None
30219362	Load Cell SLP850D-20kg C3 PB-B	None	PROFIBUS DP; RS232			1,725
30219386	Load Cell SLP850D-20kg C3 PN-B	None	ProfiNet; RS232			1,725
30219378	Load Cell SLP852D-20kg C3 Fill/EI-B	Soft Filling	EtherNet/IP; RS232			1,925
30219366	Load Cell SLP852D-20kg C3 Fill/PB-B	Soft Filling	PROFIBUS DP; RS232			1,925
30219390	Load Cell SLP852D-20kg C3 Fill/PN-B	Soft Filling	ProfiNet; RS232			1,925
30219382	Load Cell SLP854D-20kg C3 Fill/EI-B	Hard Filling	EtherNet/IP; RS232			2,120
30219370	Load Cell SLP854D-20kg C3 Fill/PB-B	Hard Filling	PROFIBUS DP; RS232			2,120
30219394	Load Cell SLP854D-20kg C3 Fill/PN-B	Hard Filling	ProfiNet; RS232			2,120

## SLP85xD Accessories

Material Number	Material Description	Order Notes	List Price (CAD)
<b>Data Cables</b>			
30219421	Data Cable (6-pins, 6m), for the communication with a control system (PLC or PC)	Straight (For all models)	281
30219417		Right Angle (For all models)	281
30219422	IO Cable (10 pins, 6m) for the connection with digital inputs/ outputs	Straight (For SLP854D only)	321
30219418		Right Angle (For SLP854D only)	301
30425963	RJ45 Ethernet Jack, CAT5E	For termination of data cable. Allows for easy connection of customer supplied PLC Ethernet cable	30
30425964	DIN Rail Mount for Ethernet jack	Adds DIN rail mount capability to Ethernet jack; order with Ethernet jack	23
<b>Adapter Cables for Service</b>			
30219420	Adapter cable that includes a power socket (8 pins, 0.8m), provides RS232 interface (DSUB9) and a socket for connecting a power adapter. No connection is possible without a control system	Straight	182
30219416		Right Angle	182
30219423	Adapter cable that does not include a power socket (8 pins, 0.8m), provides an RS232 interface (DSUB9) and a bus-capable data interface. Connection is possible with a control system	Straight	321
30219419		Right Angle	321
<b>Power Adapter for Service</b>			
46001802	Power Adapter for service, AC adapter with universal plug types. Input: 100 - 240 V, 50-60 Hz, 0.3 A. Output: 12 v, 0.84 A.	None	15

# Accessories

## Cables



[www.mt.com/APW](http://www.mt.com/APW)

Material Number	Legacy Number	Material Description	Protection Rating	Order Notes	List Price (CAD)
11121442	11121442	Cable load cell WX 90, 0.5m	Not Applicable		393
11121440	11121440	Cable load cell WX 90, 1,5m			411
42102803	42102803	WM-CABLE 180/3			364

Material Number	Legacy Number	Material Description	Protection Rating	Order Notes	List Price (CAD)
11121441	11121441	Cable load cell WX 90, 5m	Not Applicable		454

### Connection cable



Material Number	Legacy Number	Material Description	Protection Rating	Order Notes	List Price (CAD)
11138861	11138861	Cable weigh module 180M/10	IP67	Connection cable for WM, WMS and WMH (straight connector, 10m)	430
11138860	11138860	Cable WM 180m/5		Connection cable for WM, WMS and WMH (straight connector, 5m)	290



Material Number	Legacy Number	Material Description	Protection Rating	Order Notes	List Price (CAD)
11138865	11138865	Cable weigh module 90B/10	IP67	Left angled connection cable for WM, WMS and WMH (90° connector, 10m)	430
11138864	11138864	Cable weigh module 90H/10		Right angled connection cable for WM, WMS and WMH (90° connector, 10m)	430
11138863	11138863	Cable weigh module 90M/10		Connection cable for WM and WMS (90° connector, 10m)	434
11138862	11138862	Cable WM 90m/5		Connection cable for WM and WMS (90° connector, 5m)	290

# Accessories

## Weighing Pans

[www.mt.com/APW](http://www.mt.com/APW)

Material Number	Legacy Number	Material Description	Material	Order Notes	Shipping Weight	List Price (CAD)
11121256	11121256	ADAPTER PAN WX 36mm	Stainless Steel			80

Material Number	Legacy Number	Material Description	Material	Order Notes	Shipping Weight	List Price (CAD)
11121257	11121257	Weighing pan WX				193

### Spare part weighing pan

[www.mt.com/WMC](http://www.mt.com/WMC)

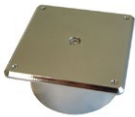


Material Number	Legacy Number	Material Description	Material	Order Notes	Shipping Weight	List Price (CAD)
30005372	30005372	WMC adapter weighing pan	PEEK		5 lb	135



Material Number	Legacy Number	Material Description	Material	Order Notes	Shipping Weight	List Price (CAD)
30005370	30005370	WMC Weighing pan D15	Stainless Steel	Round Weigh Pan is only available for units with a capacity of 400g or less	5 lb	60

### Weighing pan



Material Number	Legacy Number	Material Description	Material	Order Notes	Shipping Weight	List Price (CAD)
42102804	42102804	Pan Ø45mm WM	Aluminum, chrome plated			214



Material Number	Legacy Number	Material Description	Material	Order Notes	Shipping Weight	List Price (CAD)
42102805	42102805	Pan Ø55mm WM	Aluminum, chrome plated			217



Material Number	Legacy Number	Material Description	Material	Order Notes	Shipping Weight	List Price (CAD)
42102806	42102806	Pan 60x60mm WM	Aluminum, chrome plated			630

## Weighing platform

### Flexible

Customer specific adapters can easily be fixed to the platform which is rigidly connected by means of a patented locking device to the weigh module.

### Versatile

Integrated Labyrinth to reach IP54 (IP66 during cleaning with WashDown function) protection together with the WMS weigh module.

### Clean surface

Aluminum with chrome plated surface (food safe).

[www.mt.com/WMS](http://www.mt.com/WMS)



Material Number	Legacy Number	Material Description	Material	Order Notes	Shipping Weight	List Price (CAD)
30007731	30007731	Pan WMS 58x58	Aluminum, chrome plated			499

### Snapped on interface

The weighing platform can be easily snapped on the weigh module without any tool.

[www.mt.com/WMS](http://www.mt.com/WMS)



Material Number	Legacy Number	Material Description	Material	Order Notes	Shipping Weight	List Price (CAD)
30007732	30007732	Pan WMS d54	Aluminum, chrome plated	Tray diameter 54mm round weighing. Round Weigh Pan is only available for units with a capacity of 400g or less		299

## Draft Shields

Material Number	Legacy Number	Material Description	Material	Shipping Weight	List Price (CAD)
30008126	30008126	WMC draft shield high			162

## Spare part weighing pan

[www.mt.com/WMC](http://www.mt.com/WMC)

Material Number	Legacy Number	Material Description	Material	Shipping Weight	List Price (CAD)
11121071	11121071	Draft shield WX			1,815



Material Number	Legacy Number	Material Description	Material	Shipping Weight	List Price (CAD)
30005371	30005371	WMC standard draft shield	Stainless Steel	5 lb	120



# Accessories

## Fieldbus Modules

Please contact Steve Grimm or Tim Toth for APW consultation

### PLC Communication Solutions

#### Direct

Minimal programming effort for connecting weighs modules to a fieldbus network.

#### Easy

DIN rail mounting and automatic interface-parameter recognition make it easy.

#### Flexible

Fully compatible with any weigh module and scales connected via RS232, RS422 or RS485 using the MT-SICS protocol.

[www.mt.com/APW](http://www.mt.com/APW)



Material Number	Legacy Number	Material Description	Protection Rating	List Price (CAD)
42102810	42102810	DEVICENET-MODULE	IP20	680



Material Number	Legacy Number	Material Description	Protection Rating	List Price (CAD)
42102860	42102860	ETHERNET/IP-MODULE	IP20	2,105



Material Number	Legacy Number	Material Description	Protection Rating	List Price (CAD)
42102809	42102809	PROFIBUS-MODULE	IP20	1,335



Material Number	Legacy Number	Material Description	Protection Rating	List Price (CAD)
42102859	42102859	PROFINET-IO-MODULE	IP20	2,105

### Connection cable



Material Number	Legacy Number	Material Description	Protection Rating	List Price (CAD)
11141979	11141979	DSUB9-OPENEND		98



Material Number	Legacy Number	Material Description	Protection Rating	List Price (CAD)
11601007	11601007	D-SUB9 MALE-MALE		85

## Installation Parts

Material Number	Legacy Number	Material Description	Notes	Shipping Weight	List Price (CAD)
11121254	11121254	ASSEMBLY BRACKET WX	Mounting brackets for electronic unit, including DIN clip and mounting screws		193
11121121	11121121	Cap plastic WX	POM plastic cover (to cover the weighing pan retainer)		33
11121255	11121255	TERMINAL SUPPORT WX	Terminal holder for SWT terminal, including mounting screws		371

### Cover weighing interface

#### Clean cover

Use this cover to fix the top weighing interface by using the below-the-weigh module weighing.

[www.mt.com/WMS](http://www.mt.com/WMS)



Material Number	Legacy Number	Material Description	Material	Shipping Weight	List Price (CAD)
30005924	30005924	Stainless steel cover	Stainless steel X8CrNiS18-9 (1.4305)		459

### Leveling bubble

[www.mt.com/APW](http://www.mt.com/APW)



Material Number	Legacy Number	Material Description	Material	Shipping Weight	List Price (CAD)
42102807	42102807	Bubble level WM			111

## Spare part weighing pan

[www.mt.com/WMC](http://www.mt.com/WMC)



Material Number	Legacy Number	Material Description	Material	Shipping Weight	List Price (CAD)
30005374	30005374	WMC plastic cover		5 lb	97

## Spare Modules

[www.mt.com/WX](http://www.mt.com/WX)



Material Number	Legacy Number	Material Description	Maximum Capacity	Protection Rating	Shipping Weight	List Price (CAD)
11121020	WXS204S	Weigh Module WXS204S	220 g	IP45		7,110
11121000	11121000	Weigh Module WXS205S				14,010
11121005	WXS205SDU	Weigh Module WXS205SDU				8,220
11121213		Weigh Module WXS206SDU				12,270

Material Number	Legacy Number	Material Description	Maximum Capacity	Protection Rating	Shipping Weight	List Price (CAD)
11121203	11121203	Weigh Module WXSE		IP40		3,615
11121204	WXTE	Weigh Module WXTE				4,025

## Spare part cable

[www.mt.com/WMC](http://www.mt.com/WMC)



Material Number	Legacy Number	Material Description	Maximum Capacity	Protection Rating	Shipping Weight	List Price (CAD)
30005373*	30005373	WMC Replacement cable		Not Applicable	5 lb	361

\*Please note this cable requires soldering to the cell PCB. Please contact IND Tech Support for explanation and assistance before purchasing this cable.

## Spare part electronic box

[www.mt.com/WMC](http://www.mt.com/WMC)



Material Number	Legacy Number	Material Description	Maximum Capacity	Protection Rating	Shipping Weight	List Price (CAD)
11149026	11149026	Rep Kit WMC15-E		IP40	10 lb	5,865
11149028	11149028	Rep Kit WMC24-E				6,250
11149027	11149027	Rep Kit WMC25-E				6,250

## Spare part weigh module

### Ultra-Compact

The WMC weighing modules feature state-of-the-art weighing performance in a sensor with a revolutionary 1 inch width.

### Precise

Do not let size deceive you: this sensor comes with highest precision and quick stabilization.

### Versatile

Compact size, rugged design and direct connectivity offer flexible integration in many applications in laboratory and production environments.

[www.mt.com/WMC](http://www.mt.com/WMC)



Material Number	Legacy Number	Material Description	Maximum Capacity	Protection Rating	Shipping Weight	List Price (CAD)
11149003	11149003	Rep Kit WMC24-OH	21 g	IP30	10 lb	6,735

Do not let size deceive you: this sensor resolves 1,000,000 divisions with highest precision and quick stabilization.

### Versatile

Compact size, rugged design and direct connectivity offer flexible integration in many applications in laboratory and production environments.

[www.mt.com/WMC](http://www.mt.com/WMC)



Material Number	Legacy Number	Material Description	Maximum Capacity	Protection Rating	Shipping Weight	List Price (CAD)
11149011	11149011	Rep Kit WMC15-OH	11 g	IP30	10 lb	9,215

Do not let size deceive you: this sensor resolves 2,000,000 divisions with highest precision and quick stabilization.

### Versatile

Compact size, rugged design and direct connectivity offer flexible integration in many applications in laboratory and production environments.

[www.mt.com/WMC](http://www.mt.com/WMC)



Material Number	Legacy Number	Material Description	Maximum Capacity	Protection Rating	Shipping Weight	List Price (CAD)
11149001	11149001	Rep Kit WMC25-OH	21 g	IP30	10 lb	10,220

# Applied Bench Platforms

## PBK987APW Configured

Please contact Steve Grimm or Tim Toth for APW Consultation

### Unprecedented Accuracy

#### High Precision for Automated Environment

High precision guaranteed in an automated environment thanks to configurable filters and direct connection to control systems.

#### Reliable In Harsh Conditions

The robust design of the platform body ensures reliable measurements at the highest precision.

#### Fast Weighing Processes

Industry-leading stabilization time and 92 updates per second make the platform suitable for high-speed weighing processes.

[www.mt.com/pbk9](http://www.mt.com/pbk9)



Material Number	Material Description	List Price (CAD)
30214792	High Precision Platform PBK987APW	7,265

Base Model										
P	B	K	9	8	7	A				
-	-	-	-	-	-	-	PBK987APW			
-	-	-	-	-	-	-	Application			
-	-	-	-	-	-	-	0	Safe area		
-	-	-	-	-	-	-	R	hazardous area Cat 3GD/Div2		
-	-	-	-	-	-	-	Capacity			
-	-	-	-	-	-	-	8	60 kg		
-	-	-	-	-	-	-	9	120 kg		
-	-	-	-	-	-	-	A	150 kg		
-	-	-	-	-	-	-	B	300 kg		
-	-	-	-	-	-	-	Platform size			
-	-	-	-	-	-	-	F	B, 400x500mm		
-	-	-	-	-	-	-	H	CC, 600x800mm		
-	-	-	-	-	-	-	IP Protection			
-	-	-	-	-	-	-	3	IP66/68		
-	-	-	-	-	-	-	Resolution			
-	-	-	-	-	-	-	H	4	0	1x60.000d / 75.000d non-approved
-	-	-	-	-	-	-	R	4	0	1x240.000d / 300.000d non-approved
-	-	-	-	-	-	-	M	4	0	1x600.000d / 750.000d non-approved
-	-	-	-	-	-	-	Material Load Plate			
-	-	-	-	-	-	-	5	stainless steel AISI304, smooth, Ra < 1 µm		
-	-	-	-	-	-	-	8	stainless steel AISI316, smooth, Ra < 1 µm		
-	-	-	-	-	-	-	Cable length			
-	-	-	-	-	-	-	0	no cable		
-	-	-	-	-	-	-	7	10 m open wires 12 pin		
-	-	-	-	-	-	-	Others 1			
-	-	-	-	-	-	-	0	no		
-	-	-	-	-	-	-	B	Test certificate		
-	-	-	-	-	-	-	ETO			
-	-	-	-	-	-	-	0	no ETO		
-	-	-	-	-	-	-	E	ETO		
P	B	K	9	8	7	A			4	0

## PBK987APW Configured Options

Material Description	1	2	3	4	5	6	Order Notes	List Price (CAD)
<b>1 Base Model</b>								
Model PBK987-B120 APW		9F						800
Model PBK987-B60 APW		8F						0
Model PBK987-CC150 APW		AH						950
Model PBK987-CC300 APW		BH						1,505
<b>2 Resolution</b>								
Resolution 1x60000/75000d SR not appr.			H40				Platform resolution increases in the field are not recommended. Contact your APW Consultant for more details.	0
Resolution H 1x240000/300000d SR not app			R40					875
Resolution H 1x600000/750000d SR not app			M40					875
<b>3 Material Load Plate</b>								
Load Plate AISI304 Smooth				5				0
Load plate AISI316 smooth B				8				349
Load plate AISI316 smooth CC				8				462
<b>4 Cable Length (home run)</b>								
Cable length 10 m (open wires 12 pin)					7			236
<b>5 Test certificate</b>								
None						0		0
Test certificate						B		227

## PBK987APW Configured Accessories

Material Number	Material Description	Order Notes	List Price (CAD)
<b>Connection Module</b>			
11152000	ConBlock	Allows safe area connection of PBK-APW to process	500
<b>Roller Conveyor</b>			
503640	Roller track 500x400 galvanized	500 x 400 mm, hot galvanized, for PBK-B	755
22001647	Roller track 500x400 stainless	500 x 400 mm, stainless steel, for PBK-B	960
504852	Roller track 800x600 galvanized	800 x 600 mm, hot galvanized, for PBK-CC	1,355
22001648	Roller track 800x600 stainless	800 x 600 mm, stainless steel, for PBK-CC	1,755
<b>Replacement Cable</b>			
30244446	Cable M12 12Pin - open leads 10m	Safe Area Replacement Cable, 10m length, open end	call

# Applied Bench Platforms

## PBK989APW Configured

Please contact Steve Grimm or Tim Toth for APW Consultation

### Unprecedented Accuracy

#### High Precision for Automated Environment

High precision guaranteed in an automated environment thanks to configurable filters and direct connection to control systems.

#### Reliable in Harsh Conditions

The robust design of the platform body ensures reliable measurements at the highest precision.

#### Fast Weighing Processes

Industry-leading stabilization time and 92 updates per second make the platform suitable for high-speed weighing processes.

[www.mt.com/pbk9](http://www.mt.com/pbk9)



Material Number	Material Description	List Price (CAD)
30214793	High Precision Platform PBK989APW	5,100

Base Model							
P	B	K	9	8	9	A	PBK989APW
-	-	-	-	-	-	-	<b>Application</b>
-	-	-	-	-	-	-	0 Safe area
-	-	-	-	-	-	-	R hazardous area Cat 3GD/Div2
-	-	-	-	-	-	-	<b>Capacity</b>
-	-	-	-	-	-	-	2 3 kg
-	-	-	-	-	-	-	3 6 kg
-	-	-	-	-	-	-	4 15 kg
-	-	-	-	-	-	-	5 30 kg
-	-	-	-	-	-	-	8 60 kg
-	-	-	-	-	-	-	9 120 kg
-	-	-	-	-	-	-	A 150 kg
-	-	-	-	-	-	-	B 300 kg
-	-	-	-	-	-	-	<b>Platform size</b>
-	-	-	-	-	-	-	D A, 240x300mm
-	-	-	-	-	-	-	W AB, 280x350mm
-	-	-	-	-	-	-	F B, 400x500mm
-	-	-	-	-	-	-	H CC, 600x800mm
-	-	-	-	-	-	-	<b>IP Protection</b>
-	-	-	-	-	-	-	3 IP66/68
-	-	-	-	-	-	-	<b>Resolution</b>
-	-	-	-	-	-	-	H 4 0 1x60.000d / 75.000d non-approved
-	-	-	-	-	-	-	R 4 0 1x240.000d / 300.000d non-approved
-	-	-	-	-	-	-	M 4 0 1x600.000d / 750.000d non-approved
-	-	-	-	-	-	-	-
-	-	-	-	-	-	-	<b>Material Load Plate</b>
-	-	-	-	-	-	-	5 stainless steel AISI304, smooth, Ra < 1 µm
-	-	-	-	-	-	-	8 stainless steel AISI316, smooth, Ra < 1 µm
-	-	-	-	-	-	-	<b>Cable length</b>
-	-	-	-	-	-	-	0 no
-	-	-	-	-	-	-	7 10m open wires 12 pin
-	-	-	-	-	-	-	<b>Others 1</b>
-	-	-	-	-	-	-	0 no
-	-	-	-	-	-	-	B Test certificate
-	-	-	-	-	-	-	<b>ETO</b>
-	-	-	-	-	-	-	0 no ETO
-	-	-	-	-	-	-	E ETO
P	B	K	9	8	9	A	4 0

## PBK989APW Configured Options

Material Description	1	2	3	4	5	6	Order Notes	List Price (CAD)
<b>1 Base Model</b>								
Model PBK989-A3 APW		2	D					133
Model PBK989-A6 APW		3	D					265
Model PBK989-AB15 APW		4	W					1,165
Model PBK989-AB30 APW		5	W					2,025
Model PBK989-AB60 APW		8	W					2,380
Model PBK989-B120 APW		9	F					4,420
Model PBK989-B60 APW		8	F					3,830
Model PBK989-CC150 APW		A	H					4,950
Model PBK989-CC300 APW		B	H					5,785
<b>2 Application</b>								
Safe Area	0							0
<b>3 Resolution</b>								
Resolution 1x60000/75000d SR not appr.				H			Platform resolution increases in the field are not recommended for models B60 and larger. Contact your APW Consultant for more details.	0
Resolution D 1x600000/750000d SR not appr				M				0
Resolution D1x240000/300000d SR not appr				R				0
Resolution H 1x240000/300000d SR not appr				R				875
Resolution H 1x600000/750000d SR not appr				M				875
<b>4 Material Load Plate</b>								
Load plate AISI304					5			0
Load plate AISI316 smooth A					8			205
Load plate AISI316 smooth AB					8			205
Load plate AISI316 smooth B					8			350
Load plate AISI316 smooth CC					8			464
<b>5 Cable Length (home run)</b>								
Cable length 10 m (open wires 12 pin)						7		236
<b>6 Test certificate</b>								
None							0	0
Test certificate							B	227



## PBK989APW Configured Accessories

Material Number	Material Description	Order Notes	List Price (CAD)
<b>Connection Module</b>			
11152000	ConBlock	Allows safe area connection of PBK-APW to process	500
<b>Roller Conveyor</b>			
503640	Roller track 500x400 galvanized	500 x 400 mm, hot galvanized, for PBK-B	755
22001647	Roller track 500x400 stainless	500 x 400 mm, stainless steel, for PBK-B	960
504852	Roller track 800x600 galvanized	800 x 600 mm, hot galvanized, for PBK-CC	1,355
22001648	Roller track 800x600 stainless	800 x 600 mm, stainless steel, for PBK-CC	1,755
<b>Replacement Cable</b>			
30244446	Cable M12 12Pin - open leads 10m	Safe Area Replacement Cable, 10m length, open end	call

# Applied Floor Platforms

## PFK988APW Configured

Please contact Steve Grimm or Tim Toth for APW Consultation

### Unprecedented Accuracy

#### High Precision for Automated Environment

High precision guaranteed in an automated environment thanks to configurable filters and direct connection to control systems.

#### Reliable in Harsh Conditions

The robust design of the platform body ensures reliable measurements at the highest precision.

#### Fast Weighing Processes

Industry-leading stabilization time and 92 updates per second make the platform suitable for high-speed weighing processes.

[www.mt.com/pfk9](http://www.mt.com/pfk9)



Material Number	Material Description	List Price (CAD)
30214737	High Precision Platform PFK988APW	10,090

Base Model							PFK978APW
P	F	K	9	8	8	A	Application
-	-	-	-	-	-	-	0 Safe area
-	-	-	-	-	-	-	R hazardous area Cat 3GD/Div2
-	-	-	-	-	-	-	Capacity
-	-	-	-	-	-	-	B 300 kg
-	-	-	-	-	-	-	C 600 kg
-	-	-	-	-	-	-	D 1500 kg
-	-	-	-	-	-	-	E 3000 kg
-	-	-	-	-	-	-	Platform size
-	-	-	-	-	-	-	J C, 800x1000mm
-	-	-	-	-	-	-	L D, 1250x1000mm
-	-	-	-	-	-	-	M E, 1500x1250mm
-	-	-	-	-	-	-	N ES, 1500x1500mm
-	-	-	-	-	-	-	IP Protection
-	-	-	-	-	-	-	3 IP66/68
-	-	-	-	-	-	-	Resolution
-	-	-	-	-	-	-	H 4 0 60.000d/75.000d non-approved
-	-	-	-	-	-	-	R 4 0 300.000d non-approved
-	-	-	-	-	-	-	M 4 0 600.000d/750.000d non-approved
-	-	-	-	-	-	-	Material Load Plate
-	-	-	-	-	-	-	0 no load plate
-	-	-	-	-	-	-	3 mild steel, galvanized smooth
-	-	-	-	-	-	-	4 mild steel, galvanized pattern
-	-	-	-	-	-	-	6 stainless steel AISI304, smooth, Ra < 5 µm
-	-	-	-	-	-	-	7 stainless steel AISI304, pattern
-	-	-	-	-	-	-	Cable length
-	-	-	-	-	-	-	0 no cable
-	-	-	-	-	-	-	7 10m open wires 12 pin
-	-	-	-	-	-	-	Others 1
-	-	-	-	-	-	-	0 no
-	-	-	-	-	-	-	B Test certificate
-	-	-	-	-	-	-	ETO
-	-	-	-	-	-	-	0 no ETO
-	-	-	-	-	-	-	E ETO
P	F	K	9	8	8	A	4 0

## PFK988APW Configured Options

Material Description	1	2	3	4	5	6	Order Notes	List Price (CAD)
<b>1 Base Model</b>								
Model PFK988-C300 APW		B	J					0
Model PFK988-C600 APW		C	J					670
Model PFK988-D1500 APW		D	L					3495
Model PFK988-D600 APW		C	L					2,580
Model PFK988-E1500 APW		D	M					6,080
Model PFK988-E3000 APW		E	M					7,930
Model PFK988-ES1500 APW		D	N					6,800
Model PFK988-ES3000 APW		E	N					8,580
<b>2 Application</b>								
Safe Area	0							0
<b>3 Resolution</b>								
Resolution 1x300.000d SR non-approved				R			Platform resolution increases in the field are not recommended. Contact your APW Consultant for more details.	1,345
Resolution 1x60000/75000d SR not appr.				H				0
Resolution 1x600000/750000d SR not app				M				1,345
<b>4 Material Load Plate</b>								
Load pl. C AISI304 smooth					6			850
Load pl. C galvanized smooth					3			0
Load pl. D AISI304 pattern					7			2,905
Load pl. D AISI304 smooth					6			1,575
Load pl. D galvanized pattern					4			1,785
Load pl. D galvanized smooth					3			1,120
Load pl. E AISI304 pattern					7			5,485
Load pl. E AISI304 smooth					6			3,260
Load pl. E galvanized pattern					4			2,690
Load pl. E galvanized smooth					3			2,015
Load pl. ES AISI304 pattern					7			6,930
Load pl. ES AISI304 smooth					6			4,380
Load pl. ES galvanized pattern					4			3,135
Load pl. ES galvanized smooth					3			2,290
<b>5 Cable Length (home run)</b>								
Cable length 10 m (open wires 12 pin)						7		236
<b>6 Test certificate</b>								
Test certificate								227

## PFK988APW Configured Accessories

Material Number	Material Description	Order Notes	List Price (CAD)
<b>Connection Module</b>			
11152000	ConBlock	Allows safe area connection of PBK-APW to process	500
<b>Quick Pit Frames</b>			
30242214	Quick Pit Model C Galvanized	930 x 1210 mm	2,520
30242215	Quick Pit Model C Stainless Steel	930 x 1210 mm	3,135
30242216	Quick Pit Model D Galvanized	1130 x 1380 mm	2,710
30242217	Quick Pit Model D Stainless Steel	1130 x 1380 mm	3,275
30242218	Quick Pit Model E Galvanized	1390 x 1640 mm	2,940
30242219	Quick Pit Model E Stainless Steel	1390 x 1640 mm	3,445
30242220	Quick Pit Model ES Galvanized	1640 x 1640 mm	3,100
30242221	Quick Pit Model ES Stainless Steel	1500 x 1500 mm	3,990
<b>Ramps Hot Galvanized</b>			
503638	Ramp KC/KCS/DC/DCS/g pattern (tread)	1000 x 800 mm, hot galvanized	1,680
<b>Ramps Stainless Steel</b>			
599198	Ramp KC/KCS/DC/DCS stainless	1000 x 800 mm, SS	4,230
599204	Ramp KC/KCS/DC/DCS stainless (tread)	1000 x 800 mm, SS (tread)	3,820
<b>Replacement Cable</b>			
30244446	Cable M12 12Pin - open leads 10m	Safe Area Replacement Cable, 10m length, open end	call

# Applied Floor Platforms

## PFK989APW Configured

Please contact Steve Grimm or Tim Toth for APW Consultation

### Unprecedented Accuracy

#### High Precision for Automated Environment

High precision guaranteed in an automated environment thanks to configurable filters and direct connection to control systems.

#### Reliable in Harsh Conditions

The robust design of the platform body ensures reliable measurements at the highest precision.

#### Fast Weighing Processes

Industry-leading stabilization time and 92 updates per second make the platform suitable for high-speed weighing processes.

[www.mt.com/pfk9](http://www.mt.com/pfk9)



Material Number	Material Description	List Price (CAD)
30214738	High Precision Platform PFK989APW	13,310

Base Model										
P	F	K	9	8	9	A	PFK989APW			
-	-	-	-	-	-	-	<b>Application</b>			
-	-	-	-	-	-	-	0	Safe area		
-	-	-	-	-	-	-	R	hazardous area Cat 3GD/Div2		
-	-	-	-	-	-	-	<b>Capacity</b>			
-	-	-	-	-	-	-	B	300 kg		
-	-	-	-	-	-	-	C	600 kg		
-	-	-	-	-	-	-	D	1500 kg		
-	-	-	-	-	-	-	E	3000 kg		
-	-	-	-	-	-	-	<b>Platform size</b>			
-	-	-	-	-	-	-	J	C, 800x1000mm		
-	-	-	-	-	-	-	L	D, 1250x1000mm		
-	-	-	-	-	-	-	M	E, 1500x1250mm		
-	-	-	-	-	-	-	N	ES, 1500x1500mm		
-	-	-	-	-	-	-	<b>IP Protection</b>			
-	-	-	-	-	-	-	3	IP66/68		
-	-	-	-	-	-	-	<b>Resolution</b>			
-	-	-	-	-	-	-	H	4	0	60.000d/75.000d non-approved
-	-	-	-	-	-	-	R	4	0	300.000d non-approved
-	-	-	-	-	-	-	M	4	0	600.000d/750.000d non-approved
-	-	-	-	-	-	-	<b>Material Load Plate</b>			
-	-	-	-	-	-	-	0	no load plate		
-	-	-	-	-	-	-	6	stainless steel AISI304, smooth, Ra < 5 µm		
-	-	-	-	-	-	-	5	stainless steel AISI304, smooth, Ra < 1 µm		
-	-	-	-	-	-	-	7	stainless steel AISI304, pattern		
-	-	-	-	-	-	-	C	raisable load plate AISI304, smooth, Ra < 5 µm		
-	-	-	-	-	-	-	D	raisable load plate AISI304, smooth, Ra < 1 µm		
-	-	-	-	-	-	-	E	raisable load plate AISI304, pattern		
-	-	-	-	-	-	-	<b>Cable length</b>			
-	-	-	-	-	-	-	0	no cable		
-	-	-	-	-	-	-	7	10 m open wires 12 pin		
-	-	-	-	-	-	-	<b>Others 1</b>			
-	-	-	-	-	-	-	0	no		
-	-	-	-	-	-	-	B	Test certificate		
-	-	-	-	-	-	-	<b>ETO</b>			
-	-	-	-	-	-	-	0	no ETO		
-	-	-	-	-	-	-	E	ETO		
P	F	K	9	8	9	A			4	0

## PFK989APW Configured Options

Material Description	1	2	3	4	5	6	Order Notes	List Price (CAD)
<b>1 Base Model</b>								
Model PFK989-C300 APW		B	J					0
Model PFK989-C600 APW		C	J					630
Model PFK989-D1500 APW		D	L					4,895
Model PFK989-D600 APW		C	L					4,895
Model PFK989-E1500 APW		D	M					7,465
Model PFK989-E3000 APW		B	M					8,090
Model PFK989-ES1500 APW		D	N					9,545
Model PFK989-ES3000 APW		E	N					10,070
<b>2 Application</b>								
Safe Area	0							0
<b>3 Resolution</b>								
Resolution 1x300.000d SR non-approved				R			Platform resolution increases in the field are not recommended. Contact your APW Consultant for more details.	1,345
Resolution 1x60000/75000d SR not appr.				H				0
Resolution 1x600000/750000d SR not app				M				1,345
<b>4 Material Load Plate</b>								
Load pl. C AISI304 smooth					6			850
Load pl. D AISI304 pattern					7			2,905
Load pl. D AISI304 pattern raisable					E			6,090
Load pl. D AISI304 Ra0,8					5			2,470
Load pl. D AISI304 Ra0,8 raisable					D			5,635
Load pl. D AISI304 smooth					6			1,575
Load pl. D AISI304 smooth raisable					C			4,745
Load pl. E AISI304 pattern					7			5,485
Load pl. E AISI304 pattern raisable					E			7,915
Load pl. E AISI304 Ra0,8					5			5,045
Load pl. E AISI304 Ra0,8 raisable					D			7,475
Load pl. E AISI304 smooth					6			3,260
Load pl. E AISI304 smooth raisable					C			5,695
Load pl. ES AISI304 pattern					7			6,930
Load pl. ES AISI304 pattern raisable					E			7,980
Load pl. ES AISI304 Ra0,8					5			6,640
Load pl. ES AISI304 Ra0,8 raisable					D			8,650
Load pl. ES AISI304 smooth					6			4,380
Load pl. ES AISI304 smooth raisable					C			6,640
<b>5, Cable Length (home run)</b>								
Cable length 10 m (open wires 12 pin)						7		236
<b>6 Test certificate</b>								
Test certificate								227

## PFK989APW Configured Accessories

Material Number	Material Description	Order Notes	List Price (CAD)
<b>Connection Module</b>			
11152000	ConBlock	Allows safe area connection of PBK-APW to process	500
<b>Quick Pit Frames</b>			
30242214	Quick Pit Model C Galvanized	930 x 1210 mm	2,520
30242215	Quick Pit Model C Stainless Steel	930 x 1210 mm	3,135
30242216	Quick Pit Model D Galvanized	1130 x 1380 mm	2,710
30242217	Quick Pit Model D Stainless Steel	1130 x 1380 mm	3,275
30242218	Quick Pit Model E Galvanized	1390 x 1640 mm	2,940
30242219	Quick Pit Model E Stainless Steel	1390 x 1640 mm	3,445
30242220	Quick Pit Model ES Galvanized	1640 x 1640 mm	3,100
30242221	Quick Pit Model ES Stainless Steel	1500 x 1500 mm	3,990
<b>Ramps Hot Galvanized</b>			
503638	Ramp KC/KCS/DC/DCS/g pattern (tread)	1000 x 800 mm, hot galvanized	1,680
<b>Ramps Stainless Steel</b>			
599198	Ramp KC/KCS/DC/DCS stainless	1000 x 800 mm, SS	4,230
599204	Ramp KC/KCS/DC/DCS stainless (tread)	1000 x 800 mm, SS (tread)	3,820
<b>Extension Cables</b>			
30244446	Cable M12 12Pin - open leads 10m	Safe Area Replacement Cable, 10m length, open end	call





# Checkweighing Systems

## IND9D56

Consultative

### Packaged Checkweighing Controller

#### Approvals

NTEP approved 3000d COC# 05-065A1 when used with 9477 weighing conveyor

#### Environmental Protection

CRS ANSI 61 Gray, optional 304 stainless steel, certified IP54

#### ExpressWeigh® Features

In-motion weighing of random weight packages

ASCII serial output to printer, PLC, or host PC standard (Ethernet TCP/IP output is standard)

Can output weight, consecutive number, ID, and time and date

Includes 25' photo eye cable and 25' load cell cables

Auto-Sensing Power Supply (110-220 VAC)

Internal 4 in/6 out I/O card (Photo-eye inputs, alarm outputs, etc...)

Bi-directional interface can send or receive (Product data, system status, alarm conditions)

#### ExpressCheck® Features

In-motion weighing of similar weight production items

Includes all ExpressWeigh® features, plus:

Compare weight to target and classifies to three zones (OK, Under, Over)

Store 25 product IDs (Description, zones, stats, reject information for each ID)

One (1) output required to operate a reject device

PE3 input or time delay of weight data

#### Options

Controller stand - mild steel or stainless steel

Spare parts kits

3-zone lights (ExpressCheck® only) – Over, OK, Under

5-zone Software (Under, OK-, OK, OK+, Over)

PLC Interfaces - Analog output, Allen-Bradley RIO

Pilot lights, Audible alarm, run permissive switch

#### Notes

All orders must be accompanied by a completed Checkweigher Systems Site Evaluation (Refer to IND Partner Portal for Evaluation Form)

ExpressCheck® (Advanced) software is required for PE3/time delay option

When combined with the 9477 weigh conveyor, the IND9D56 provides a complete in-motion packaged weighing system

#### Pre-Configured In-Motion Configured Controllers

Order Number	Legacy Reference Number	Description	Shipping Weight	List Price (CAD)
30098793	C56DY11A000M00	ExpressWeigh 110V out/110v in	40 lbs	8,360
30098794	C56DY11A0002M00	ExpressWeigh 110V out/24VDC in	40 lbs	8,360
30098795	C56DY11A0202M00	ExpressWeigh 24VDC out/24VDC in	40 lbs	8,360
30098796	C56DY12A0002M00	ExpressCheck 110V out/24VDC in	40 lbs	9,425
30098797	C56DY12A0202M00	ExpressCheck 24VDC out/24VDC in	40 lbs	9,715

#### IND9R56 Base Unit

Order Number	Legacy Reference Number	Description	Shipping Weight	List Price (CAD)
Call to order	C56DY	IND9D56 Packaged Checkweighing Controller	40 lbs	7,468

#### Scale Interface

Order Number	Legacy Reference Number	Description	List Price (CAD)
Call to order	1	Analog Scale Interface	0



# Checkweighing Systems

## IND9D56

### Application Software

Order Number	Legacy Reference Number	Description	List Price (CAD)
Call to order	1	ExpressWeigh® (Basic) software	0
	2	ExpressCheck® (Advanced) software	1,072
	3	ExpressCheck® (5-Zone) software	2,192

### Ethernet TCP/IP, Serial

Order Number	Legacy Reference Number	Description	List Price (CAD)
Call to order	A	Ethernet TCP/IP and two (2) serial ports now standard in all units	0

### PLC Interface

Order Number	Legacy Reference Number	Description	List Price (CAD)
Call to order	0	None	0
	B	Allen Bradley RIO (ExpressWeigh Only)	700
	P	Profibus DP	700
	E	Ethernet IP	905

### Voltage for Outputs

Order Number	Legacy Reference Number	Description	List Price (CAD)
Call to order	0	110 VAC	0
	1	220 VAC	0
	2	24 VDC	0

### Accessory Modules

Order Number	Legacy Reference Number	Description	List Price (CAD)
Call to order	0	None	0
	1	One (1) ARM100 for Digital I/O Installed	670
	2	One (1) A100 for Analog Output (4-20mA)	876

### Voltage for Photo-Eye

Order Number	Legacy Reference Number	Description	List Price (CAD)
Call to order	0	110 VAC	0
	1	220 VAC	0
	2	24 VDC	0

# Checkweighing Systems

## IND9D56

### Enclosure Type

Order Number	Legacy Reference Number	Description	List Price (CAD)
Call to order	M	Mild Steel	0
	S	Type 304 Stainless Steel	1,470

### Other

Order Number	Legacy Reference Number	Description	List Price (CAD)
Call to order	0	None	0
	01-26	Pilot Lights and Pushbuttons	Call

### IND9D56 Accessories

Order Number	Legacy Reference Number	Description	List Price (CAD)
Call to order		One (1) Pilot Light (Installed and Wired)	420
Call to order		One (1) Pushbutton (Installed and Wired)	420
Call to order		Three (3) Zone Light for ExpressCheck®	1,330
64065716	64065716	Spare Parts Kit	2,380
66039907	2B-03K-0167	Controller Stand - Mild Steel	1,010
66040040	2B-03K-0225	Controller Stand - Stainless Steel	2,525
Call to order		5-Zone Lights on Door	1,680

Contact Custom Systems Application Support for quotes

Consultative

# Checkweighing Systems

## 9477 Weighing Conveyor



### Checkweighing Conveyor

#### Environmental Protection

Black, polyurethane painted mild steel construction  
Stainless steel with White belt

#### Standard Features

4 - Standard sizes = 12x24, 18x30, 24x48, 30x48  
Standard heights = 24" - 40" (±2")  
Analog junction box  
Four (4) load cells  
Dual photo eyes (24 VDC)  
Fixed speed motor (from 30 to 240 FPM)  
Black PVC, coated belt construction  
Two (2) sets of documentation with each order

#### Options

Custom length/width/height conveyors  
Variable belt speed  
Stainless Steel Construction (304 stainless steel frame/FDA Approved white PVC belt)  
In-Feed and Exit conveyors  
Reject conveyor systems  
Stand alone reject arms  
CSA Construction  
MACH II Construction (See Page CK-8)

#### 9477 Mild Steel (A-Finish) Weighing Conveyor - Size

Order Number	Legacy Reference Number	Description	Load Cells Used	Lead Time	Shipping Weight	List Price (CAD)
63055547	AP	12" wide x 20" long	4 x 50 kg	6 wks	385 lbs	13,990
63055552	AQ	12" wide x 24" long	4 x 50 kg	4 wks	400 lbs	13,180
63055556	AR	12" wide x 30" long	4 x 50 kg	6 wks	425 lbs	14,580
63055560	BQ	18" wide x 24" long	4 x 50 kg	6 wks	450 lbs	15,580
63055565	BR	18" wide x 30" long	4 x 50 kg	4 wks	500 lbs	13,990
63055568	BS	18" wide x 36" long	4 x 50 kg	6 wks	550 lbs	14,470
63055574	CS	24" wide x 36" long	4 x 250 lbs	6 wks	600 lbs	14,580
63055577	CT	24" wide x 48" long	4 x 250 lbs	4 wks	700 lbs	13,300
63055582	CU	24" wide x 60" long	4 x 250 lbs	6 wks	800 lbs	15,270
63055585	DT	30" wide x 48" long	4 x 250 lbs	4 wks	900 lbs	18,380
63055591	DU	30" wide x 60" long	4 x 250 lbs	6 wks	1000 lbs	19,350
63055594	DV	30" wide x 72" long	4 x 250 lbs	6 wks	1100 lbs	call
Call to order	Custom Size			8-10 wks		call

# Checkweighing Systems

## 9477 Weighing Conveyor

### 9477 Stainless Steel (B-Finish) Weighing Conveyor - Size

Order Number	Legacy Reference Number	Description	Load Cells Used	Lead Time	Shipping Weight	List Price (CAD)
63055549	AP	12" wide x 20" long	4 x 50 kg	8 wks	385 lbs	21,810
63055554	AQ	12" wide x 24" long	4 x 50 kg	6 wks	400 lbs	21,810
63055558	AR	12" wide x 30" long	4 x 50 kg	8 wks	425 lbs	22,670
63055562	BQ	18" wide x 24" long	4 x 50 kg	8 wks	450 lbs	20,420
63055566	BR	18" wide x 30" long	4 x 50 kg	6 wks	500 lbs	21,700
63055570	BS	18" wide x 36" long	4 x 50 kg	8 wks	550 lbs	19,780
63055575	CS	24" wide x 36" long	4 x 250 lbs	8 wks	600 lbs	26,410
63055579	CT	24" wide x 48" long	4 x 250 lbs	6 wks	700 lbs	26,730
63055583	CU	24" wide x 60" long	4 x 250 lbs	8 wks	800 lbs	call
63055587	DT	30" wide x 48" long	4 x 250 lbs	6 wks	900 lbs	call
63055592	DU	30" wide x 60" long	4 x 250 lbs	8 wks	1000 lbs	call
63055596	DV	30" wide x 72" long	4 x 250 lbs	8 wks	1100 lbs	call
Call to order	Custom Size			10-12 wks		call

### 9477 Height (price adder for mild-steel only; call for stainless steel)

Order Number	Legacy Reference Number	Size	Description	Lead Time	List Price (CAD)
Call to order	XX	24"	Conveyor Height (adjustable $\pm 2"$ )	0	0
		26"			0
		28"			0
		30"			0
		32" (standard)			0
		34"			0
		36"			0
		38"			0
		40"			0
	ZZ	42"	Conveyor Height (adjustable $\pm 2"$ )	+3 wks	1,540
		44"			1,540
		46"			1,540
		48"			1,540
		50"			1,540
		52"			1,540
		54"			1,540
56"	1,540				

# Checkweighing Systems

## 9477 Weighing Conveyor

### Finish

Order Number	Legacy Reference Number	Description	Lead Time	Shipping Weight	List Price (CAD)
Call to order	A	Mild steel, black	0		0
	B	Stainless steel	+6 wks		call

### Belt Speed

Order Number	Legacy Reference Number	Description	Speed	Lead Time	List Price (CAD)	
Call to order	A	Fixed Speed	30 FPM	0	0	
	C		40 FPM		0	
	E		50 FPM		0	
	F		60 FPM		0	
	G		70 FPM		0	
	H		80 FPM		0	
	J		90 FPM		0	
	K		100 FPM		0	
	L		120 FPM		0	
	M		140 FPM		0	
	N		150 FPM		0	
	P		160 FPM		0	
	R		180 FPM		0	
	S		200 FPM		0	
	T	220 FPM	0			
	U	240 FPM	0			
		K	Variable Speed	30 - 100 FPM	0	1,510
		P		80 - 160 FPM		1,510
		S		120 - 200 FPM		1,510
		U		150 - 240 FPM		1,510

### Motor Voltage

Order Number	Legacy Reference Number	Description	Voltage	Lead Time	List Price (CAD)
Call to order	A	Fixed Speed	220 VAC/60 HZ	0	0
	B		440 VAC/60 HZ		0
	C		575 VAC/60 HZ		1,005
	D	Variable Speed	220 VAC/60 HZ		0
	E		440 VAC/60 HZ		0

Contact Custom Systems Application Support for quotes

# Checkweighing Systems

## 9477 Mach II Weighing Conveyor

### Checkweighing Conveyor

#### Environmental Protection

Black, polyurethane painted mild steel construction

#### Standard Features

Standard size: 24 in x 48 in

Standard height: 24 in through 40 in ( $\pm 2$  in)

Analog junction box

Four (4) load cells

Dual photo eyes (24 VDC)

Variable speed motor (from 250 to 600 FPM)

Black PVC, coated belt construction

Variable speed drive

2 Sets of documentation with each order

#### 9477 Weighing Conveyor - Size

Order Number	Legacy Reference Number	Description	Load Cells Used	Lead Time	Shipping Weight	List Price (CAD)
Call to order	MA	24" wide x 48" long	4 x 250 lbs	10 wks	650 lbs	26,770
	MB	24" wide x 60" long	4 x 250 lbs	10 wks	700 lbs	27,990
	MC	30" wide x 48" long	4 x 250 lbs	10 wks	700 lbs	29,570
	MD	30" wide x 60" long	4 x 250 lbs	10 wks	750 lbs	32,010
	ME	30" wide x 66" long	4 x 250 lbs	10 wks	800 lbs	33,160
	MF	36" wide x 60" long	4 x 250 lbs	10 wks	800 lbs	34,665
	MG	36" wide x 72" long	4 x 250 lbs	10 wks	900 lbs	36,100
	Custom Size	Up to 42" total width and 84" total length			+4 wks	

#### Finish

Order Number	Legacy Reference Number	Description	Lead Time	List Price (CAD)
Call to order	A	Mild steel, black	0	0

# Checkweighing Systems

## 9477 Mach II Weighing Conveyor

9477 Height (price adder for mild-steel only; call for stainless steel)

Order Number	Legacy Reference Number	Size	Description	Lead Time	List Price (CAD)
Call to order	XX	24"	Conveyor Height (adjustable ±2")	0	0
		26"			0
		28"			0
		30"			0
		32" (standard)			0
		34"			0
		36"			0
		38"			0
		40"			0
	ZZ	42"	Conveyor Height (adjustable ±2")	0	1,540
		44"			1,540
		46"			1,540
		48"			1,540
		50"			1,540
		52"			1,540
		54"			1,540
		56"			1,540

### Belt Speed

Order Number	Legacy Reference Number	Description	Speed	Lead Time	List Price (CAD)
Call to order	W	Variable Speed	250 - 300 FPM	0	0
	X		300 - 400 FPM		0
	Y		400 - 500 FPM		0
	Z		500-600 FPM		0

### Motor Voltage

Order Number	Legacy Reference Number	Description	Voltage	Lead Time	List Price (CAD)
Call to order	A	Variable Speed	220 VAC/60 HZ	0	0
	B		440 VAC/60 HZ		0

### Spare Parts

Order Number	Legacy Reference Number	Description	Lead Time	List Price (CAD)
63055572	9477CRSKIT	Mach II spare parts kit (Get parts list from application support)	+0 wks	8,310

Contact Custom Systems Application Support for quotes



# Checkweighing Systems

## 9477 Accessories

### In-Feed and Exit Conveyors, Rejects and Spare Parts

#### Standard Features In-Feed/Exit Conveyors

Mild steel & stainless steel construction  
 220/440v 3 phase motor  
 Balanced rollers  
 Same frame and construction as 9477 weighing conveyors

#### Mild Steel (A) In-Feed and Exit Conveyors

Order Number	Legacy Reference Number	Size	Description	Height	Belt Speed	List Price (CAD)
Call to order	IC/OC	AP	12" wide x 21" long	20" through 40"	30 - 240 FPM	6,950
		AQ	12" wide x 24" long			6,812
		AR	12" wide x 30" long			6,950
		BQ	18" wide x 24" long			8,684
		BR	18" wide x 30" long			8,505
		BS	18" wide x 36" long			8,928
		CS	24" wide x 36" long			9,258
		CT	24" wide x 48" long			9,079
		CU	24" wide x 60" long			10,080
		DT	30" wide x 48" long			10,650
		DU	30" wide x 60" long			10,650
		DV	30" wide x 72" long			11,385

#### Stainless Steel (B) In-Feed and Exit Conveyors

Order Number	Legacy Reference Number	Size	Description	Height	Belt Speed	List Price (CAD)
Call to order	IC/OC	AP	12" wide x 21" long	20" through 40"	30 - 240 FPM	11,240
		AQ	12" wide x 24" long			11,460
		AR	12" wide x 30" long			11,627
		BQ	18" wide x 24" long			12,560
		BR	18" wide x 30" long			12,775
		BS	18" wide x 36" long			12,775
		CS	24" wide x 36" long			15,000
		CT	24" wide x 48" long			15,000
		CU	24" wide x 60" long			16,555
		DT	30" wide x 48" long			20,040
		DU	30" wide x 60" long			20,040
		DV	30" wide x 72" long			20,900

# Checkweighing Systems

## 9477 Accessories

**Conveyor and Reject Combination** - This is a complete conveyor and reject built as one piece with guards

Order Number	Legacy Reference Number	Description	List Price (CAD)
Call to order	RA01	12 x 30 Mild steel conveyor, 12" reject stroke, 40 cpm max, 50 lbs max, LH drive	16,795
	RA02	12 x 30 Mild steel conveyor, 12" reject stroke, 40 cpm max, 50 lbs max, RH drive	19,795
	RA03	12 x 30 Stainless conveyor, 12" reject stroke, 40 cpm max, 50 lbs max, LH drive	24,205
	RA04	12 x 30 Stainless conveyor, 12" reject stroke, 40 cpm max, 50 lbs max, RH drive	24,205
	RA05	12 x 30 Mild steel conveyor, 12" reject stroke, 60 cpm max, 70 lbs max, LH drive	21,480
	RA06	12 x 30 Mild steel conveyor, 12" reject stroke, 60 cpm max, 70 lbs max, RH drive	21,480
	RA07	18 x 36 Mild steel conveyor, 18" reject stroke, 40 cpm max, 50 lbs max, LH drive	20,430
	RA08	18 x 36 Mild steel conveyor, 18" reject stroke, 40 cpm max, 50 lbs max, RH drive	20,430
	RA09	18 x 36 Stainless conveyor, 18" reject stroke, 40 cpm max, 50 lbs max, LH drive	28,710
	RA10	18 x 36 Stainless conveyor, 18" reject stroke, 40 cpm max, 50 lbs max, RH drive	28,710
	RA11	18 x 36 Mild steel conveyor, 18" reject stroke, 60 cpm max, 70 lbs max, LH drive	27,200
	RA12	18 x 36 Mild steel conveyor, 18" reject stroke, 60 cpm max, 70 lbs max, RH drive	27,200
	RA13	24 x 60 Mild steel conveyor, 24" reject stroke, 60 cpm max, 70 lbs max, LH drive	29,354
	RA14	24 x 60 Mild steel conveyor, 24" reject stroke, 60 cpm max, 70 lbs max, RH drive	29,354

**Reject Ram Only** - This is a Reject only that mounts to the floor with no guards

Order Number	Legacy Reference Number	Description	List Price (CAD)
Call to order	RJ01	12" Stroke reject only, Mild steel, 40 cpm max , 50 lbs max	3,735
	RJ02	12" Stroke reject only, Stainless steel, 40 cpm max , 50 lbs max	6,172
	RJ03	18" Stroke reject only, Mild steel, 40 cpm max , 50 lbs max	4,020
	RJ04	18" Stroke reject only, Stainless steel, 40 cpm max , 50 lbs max	6,675
	RJ05	12" Heavy duty Stroke reject only, Mild steel, 60 cpm max , 70 lbs max	9,905
	RJ06	18" Heavy duty Stroke reject only, Mild steel, 60 cpm max , 70 lbs max	9,976
	RJ07	24" Heavy duty Stroke reject only, Mild steel, 60 cpm max , 70 lbs max	10,265

# Checkweighing Systems

## 9477 Accessories

**Product Guides for 9477 or In-Feed/Exit Conveyors (Each)** - Stainless steel product guides will be mounted on conveyor section and be adjustable to with-in 2" of center of belt

Order Number	Legacy Reference Number	Description	List Price (CAD)
Call to order	GR01	Guide rails for 12" x 21" conveyor	2,583
	GR02	Guide rails for 12" x 24" conveyor	2,663
	GR03	Guide rails for 12" x 30" conveyor	2,828
	GR04	Guide rails for 18" x 24" conveyor	2,663
	GR05	Guide rails for 18" x 30" conveyor	2,828
	GR06	Guide rails for 18" x 36" conveyor	2,987
	GR07	Guide rails for 24" x 36" conveyor	2,663
	GR08	Guide rails for 24" x 48" conveyor	2,828
	GR09	Guide rails for 24" x 60" conveyor	2,987
	GR10	Guide rails for 30" x 48" conveyor	2,838
	GR11	Guide rails for 30" x 60" conveyor	2,987
	GR12	Guide rails for 30" x 72" conveyor	3,187

**Spare Parts Kits for 9477 Weighing Conveyors** - Contact product application support for list of parts included in spare parts kits

Order Number	Legacy Reference Number	Description	List Price (CAD)
63058266	SP01	9477 Spare parts kit for all 12" and 18" wide mild steel conveyors	5,545
63058267	SP02	9477 Spare parts kit for all 24" and 30" wide mild steel conveyors	5,545
63058268	SP03	9477 Spare parts kit for all 12" and 18" wide stainless steel conveyors	8,345
63058269	SP04	9477 Spare parts kit for all 24" and 30" wide stainless steel conveyors	9,425
63055572	9477CRSKIT	9477 Mach II Spare parts kit for all 24" and 30" wide mild steel conveyors	8,310

### Special Configurations

Order Number	Legacy Reference Number	Description	Lead Time	List Price (CAD)
Call to order	CSA Construction	For units destined for Canada	+2 wks	0

Contact Custom Systems Application Support for quotes



# Commercial Warehouse Forklift Scales

## Productive Pallet Handling

### 3-Point Suspension Technology

The unique 3-point suspension holds calibration for 12 months, ensuring high accuracy over time and reducing the cost and hassle of recalibration.

### Angular Compensation Technology

When the road is uneven or the mast is pitched, accuracy is kept constant through angular compensation technology.

### Designed for Safety

Maximum visibility for operators aids traffic flow, helps operators to position forks for lifting and minimizes the risk of an accident.

[www.mt.com/VFS120](http://www.mt.com/VFS120)

### Approvals

- NTEP COC #15-111, only installation class II.

### Standard Features

- Fully Calibrated at the factory before shipment
- Forklift scale, IND236 terminal and coiled cable all included
- IND236 terminal includes one standard RS232 port
- Wired communication between terminal and scale

### Accessories

- Bluetooth kit
- Cabling Wheel

### Required Accessory

- RAM bracket multi-directional mount must be ordered separately (if not included in the quote, the indicator cannot be mounted to the forklift)



Material Number	Material Description	Capacity	Installation Class	Load Loss Distance	Width of Carriage	Resolution	Shipping Weight	List Price (CAD)
30249650	Forklift Scale VFS120-1.5-II-762U	3,000 lb	II	165 mm	30 in	2 lb	308 lb	9,035
30249651	Forklift Scale VFS120-1.5-II-920U	3,000 lb	II	165 mm	36 in		363 lb	9,035
30249652	Forklift Scale VFS120-1.5-II-1000U	3,000 lb	II	165 mm	39.5 in		385 lb	9,035
30249653	Forklift Scale VFS120-1.5-II-1040U	3,000 lb	II	165 mm	41 in		396 lb	9,035
30249654	Forklift Scale VFS120-2-II-920U	5,000 lb	II	165 mm	36 in	5 lb	363 lb	9,380
30249655	Forklift Scale VFS120-2-II-1000U	5,000 lb	II	165 mm	39.5 in		396 lb	9,380
30249656	Forklift Scale VFS120-2-II-1040U	5,000 lb	II	165 mm	41 in		407 lb	9,380
30249657	Forklift Scale VFS120-3-III-1100U	7,500 lb	III	175 mm	43 in		539 lb	10,070
30249658	Forklift Scale VFS120-5-III-1250U	10,000 lb	III	175 mm	49 in	10 lb	627 lb	13,170
30249659	Forklift Scale VFS120-5-IV-1250U	10,000 lb	IV	175 mm	49 in		814 lb	14,590
30265270	Forklift Scale VFS120-2-II-1150U	5,000 lb	II	165 mm	45 in	5 lb	440 lb	9,380
30265271	Forklift Scale VFS120-3-III-1150U	7,500 lb	III	175 mm	45 in		561 lb	10,070

## VFS120 Accessories

Material Number	Material Description	Order Notes	List Price (CAD)
<b>Various</b>			
30385723	ACM360-M1 Bluetooth Adaptor	M12 male plug, minimum 10m range	245
30237455	Cabling Wheel For Coiled Cable		308
30293679	Extended Straight Cable 5m Plug Packag		243
30293678	BlueTooth Kit for IND236 VFS120	Includes the harness M12-DB9, Bluetooth dongle, and the mounting bracket	525
22017601	Cable M12 RS232-SUB-D9P	RS232 cable	194
61045699	Forklift Scale TRK743 MNT KOP	RAM bracket, multi-directional mount; Must be ordered separately (REQUIRED)	297
30293671	VFS120 Coiled cable with 2-plugs end	Replacement coiled cable with quick disconnects	396
30249664	IND236 for VFS120	IND236 terminal specifically for the VFS120 forklift scale	1,120

# Drumfilling

## MT-T55 Manual Single Drum Filler

### Drumfiller for metal or plastic drums with manual lance

#### Environmental Protection

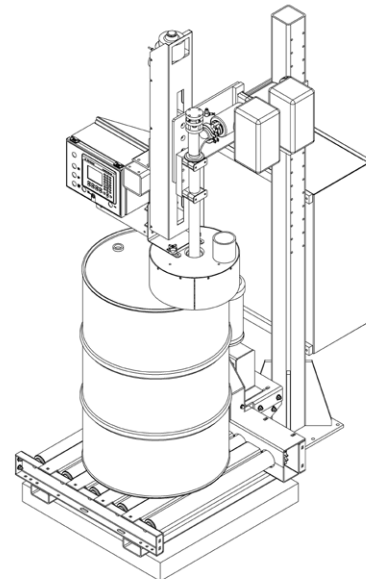
Non-wetted parts: Painted CRS Framing with Stainless Steel sheet metal components  
 Wetted parts: 316 stainless steel piping systems with Teflon seals  
 Standard TYPE NEMA 12 controller enclosure. Other enclosures optional  
 OPTIONAL: Hazardous X-purge, suitable for Class I & II, Division 1 & 2, Group C,D,E,F,G; T4  
 OPTIONAL: Hazardous Z-purge, suitable for Class I & II, Division 2, Group C,D,E,F,G; T4  
 Agency Approval on System - Optional, Please Contact

#### Standard Features (Filler)

Stainless Steel Product Lance  
 2" NPT material delivery system, 316 stainless steel with Teflon seals  
 Steel Framing  
 Foot Valve with safety failed closed design  
 Proximity switches for accurate positioning and safety interlocking  
 Dual ball valves for 2-speed product delivery and safety interlocking  
 Remote operator station  
 Surface and subsurface filling for non-foaming or foaming materials  
 Self-draining drip cup  
 Pneumatic air motor (Lance)  
 Configured for single drum height

#### Standard Features (Controller)

200 product fill data storage  
 Ethernet Connection  
 ± filling tolerance  
 Multiple product menus  
 Prefill Target  
 Decrementing container counter  
 IND560 terminal  
 No container/no fill  
 Lance flush by time or weight  
 AB Compactlogix™ PLC  
 Cycle Timer  
 Final cutoff delay  
 Allen Bradley PanelView 600  
 No feed timer  
 Product flow rate check  
 Resume fill



**Contact Custom Systems Application Support for quotes**

# Drumfilling

## MT-T55A Automatic Single Drum Filler

### Drumfiller for metal or plastic drums with power height adjustment

#### Environmental Protection

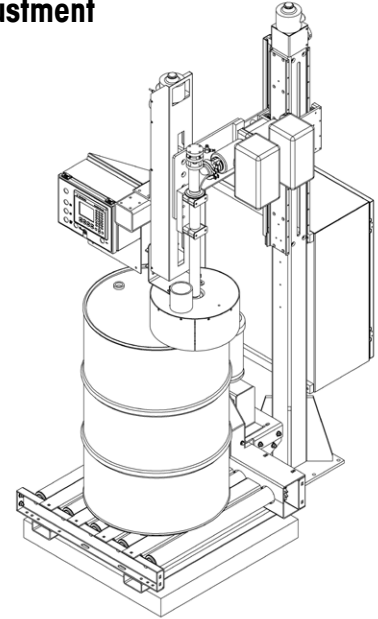
Non-wetted parts: Painted CRS Framing with Stainless Steel sheet metal components  
 Wetted parts: 316 stainless steel piping systems with Teflon seals  
 Standard TYPE NEMA 12 controller enclosure. Other enclosures optional  
 OPTIONAL: Hazardous X-purge, suitable for Class I & II, Division 1 & 2, Group C,D,E,F,G; T4  
 OPTIONAL: Hazardous Z-purge, suitable for Class I & II, Division 2, Group C,D,E,F,G; T4  
 Agency Approval on System - Optional, Please Contact

#### Standard Features (Filler)

Stainless Steel Product Lance  
 2" NPT material delivery system, 316 stainless steel with Teflon seals  
 Steel Framing  
 Foot Valve with safety failed closed design  
 Proximity switches for accurate positioning and safety interlocking  
 Dual ball valves for 2-speed product delivery and safety interlocking  
 Remote operator station  
 Surface and subsurface filling for non-foaming or foaming materials  
 Self-draining drip cup  
 Pneumatic air motor (Lance)  
 Manual Adjustment for multiple sizes

#### Standard Features (Controller)

200 product fill data storage  
 Ethernet Connection  
 ± filling tolerance  
 Multiple product menus  
 Prefill Target  
 Decrementing container counter  
 IND560 terminal  
 No container/no fill  
 Lance flush by time or weight  
 AB Compactlogix™ PLC  
 Cycle Timer  
 Final cutoff delay  
 Allen Bradley PanelView 600  
 No feed timer  
 Product flow rate check  
 Resume fill



Contact Custom Systems Application Support for quotes



# Drumfilling

## Manual Drum and Tote Filler Pivot Style

### Drumfiller for metal or plastic drums with power height adjustment

#### Environmental Protection

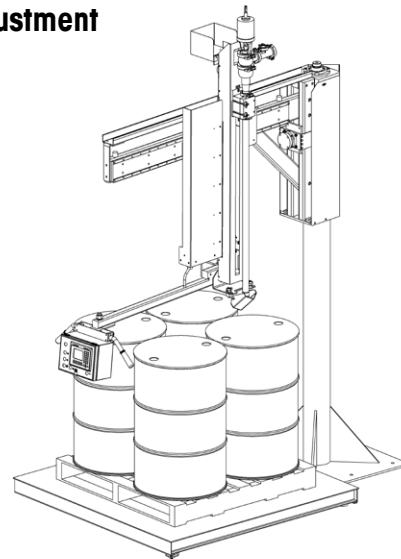
Non-wetted parts: Painted CRS Framing with Stainless Steel sheet metal components  
 Wetted parts: 316 stainless steel piping systems with Teflon seals  
 Standard TYPE NEMA 12 controller enclosure. Other enclosures optional  
 OPTIONAL: Hazardous X-purge, suitable for Class I & II, Division 1 & 2, Group C,D,E,F,G; T4  
 OPTIONAL: Hazardous Z-purge, suitable for Class I & II, Division 2, Group C,D,E,F,G; T4  
 Agency Approval on System - Optional, Please Contact

#### Standard Features (Filler)

Stainless Steel Product Lance  
 2" NPT material delivery system, 316 stainless steel with Teflon seals  
 Steel Framing  
 Foot Valve with safety failed closed design  
 Proximity switches for accurate positioning and safety interlocking  
 Dual ball valves for 2-speed product delivery and safety interlocking  
 Remote operator station  
 Surface and subsurface filling for non-foaming or foaming materials  
 Self-draining drip cup  
 Pneumatic air motor (Lance)  
 Manual Height Adjustment

#### Standard Features (Controller)

200 product fill data storage  
 Ethernet Connection  
 ± filling tolerance  
 Multiple product menus  
 Prefill Target  
 Decrementing container counter  
 IND560 terminal  
 No container/no fill  
 Lance flush by time or weight  
 AB Compactlogix™ PLC  
 Cycle Timer  
 Final cutoff delay  
 Allen Bradley PanelView 600  
 No feed timer  
 Product flow rate check  
 Resume fill



Contact Custom Systems Application Support for quotes

# Drumfilling

## MT-T275 / 330 Manual Single Tote Filler

### Designed to fill a variety of totes

#### Environmental Protection

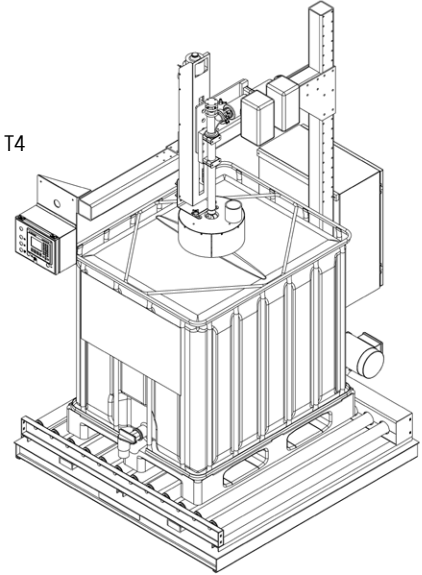
Non-wetted parts: Painted CRS Framing with Stainless Steel sheet metal components  
 Wetted parts: 316 stainless steel piping systems with Teflon seals  
 Standard TYPE NEMA 12 controller enclosure. Other enclosures optional  
 OPTIONAL: Hazardous X-purge, suitable for Class I & II, Division 1 & 2, Group C,D,E,F,G; T4  
 OPTIONAL: Hazardous Z-purge, suitable for Class I & II, Division 2, Group C,D,E,F,G; T4  
 Agency Approval on System - Optional, Please Contact

#### Standard Features (Filler)

Stainless Steel Product Lance  
 2" NPT material delivery system, 316 stainless steel with Teflon seals  
 Steel Framing  
 Foot Valve with safety failed closed design  
 Proximity switches for accurate positioning and safety interlocking  
 Dual ball valves for 2-speed product delivery and safety interlocking  
 Remote operator station  
 Surface and subsurface filling for non-foaming or foaming materials  
 Self-draining drip cup  
 Pneumatic air motor (Lance)  
 Configured for single tote height

#### Standard Features (Controller)

200 product fill data storage  
 Ethernet Connection  
 ± filling tolerance  
 Multiple product menus  
 Prefill Target  
 Decrementing container counter  
 IND560 terminal  
 No container/no fill  
 Lance flush by time or weight  
 AB Compactlogix™ PLC  
 Cycle Timer  
 Final cutoff delay  
 Allen Bradley PanelView 600  
 No feed timer  
 Product flow rate check  
 Resume fill



Contact Custom Systems Application Support for quotes

# Drumfilling

## MT-55T Manual Multi Drum and Tote Filler

### Multiple drum filling system with manual locating of the fill lance

#### Environmental Protection

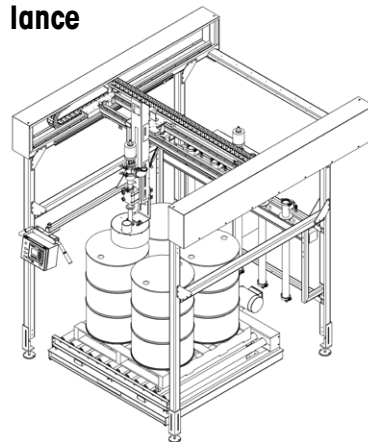
Non-wetted parts: Painted CRS Framing with Stainless Steel sheet metal components  
 Wetted parts: 316 stainless steel piping systems with Teflon seals  
 Standard TYPE NEMA 12 controller enclosure. Other enclosures optional  
 OPTIONAL: Hazardous X-purge, suitable for Class I & II, Division 1 & 2, Group C,D,E,F,G; T4  
 OPTIONAL: Hazardous Z-purge, suitable for Class I & II, Division 2, Group C,D,E,F,G; T4  
 Agency Approval on System - Optional, Please Contact

#### Standard Features (Filler)

Stainless Steel Product Lance  
 2" NPT material delivery system, 316 stainless steel with Teflon seals  
 Steel Framing  
 Foot Valve with safety failed closed design  
 Proximity switches for accurate positioning and safety interlocking  
 Dual ball valves for 2-speed product delivery and safety interlocking  
 Remote operator station  
 Surface and subsurface filling for non-foaming or foaming materials  
 Self-draining drip cup  
 Pneumatic air motor (Lance)  
 Manual height adjustment for multiple sizes

#### Standard Features (Controller)

200 product fill data storage  
 Ethernet Connection  
 ± filling tolerance  
 Multiple product menus  
 Prefill Target  
 Decrementing container counter  
 IND560 terminal  
 No container/no fill  
 Lance flush by time or weight  
 AB Compactlogix™ PLC  
 Cycle Timer  
 Final cutoff delay  
 Allen Bradley PanelView 600  
 No feed timer  
 Product flow rate check  
 Resume fill



Contact Custom Systems Application Support for quotes

# Drumfilling

## MT-55T Auto Multi Drum and Tote Filler

### Multiple drum fill system with bung locators for auto lance movement

#### Environmental Protection

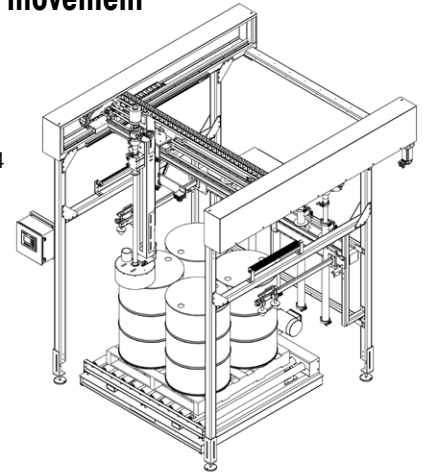
Non-wetted parts: Painted CRS Framing with Stainless Steel sheet metal components  
 Wetted parts: 316 stainless steel piping systems with Teflon seals  
 Standard TYPE NEMA 12 controller enclosure. Other enclosures optional  
 OPTIONAL: Hazardous X-purge, suitable for Class I & II, Division 1 & 2, Group C,D,E,F,G; T4  
 OPTIONAL: Hazardous Z-purge, suitable for Class I & II, Division 2, Group C,D,E,F,G; T4  
 Agency Approval on System - Optional, Please Contact

#### Standard Features (Filler)

Stainless Steel Product Lance  
 2" NPT material delivery system, 316 stainless steel with Teflon seals  
 Steel Framing  
 Foot Valve with safety failed closed design  
 Proximity switches for accurate positioning and safety interlocking  
 Dual ball valves for 2-speed product delivery and safety interlocking  
 Remote operator station  
 Surface and subsurface filling for non-foaming or foaming materials  
 Self-draining drip cup  
 Pneumatic air motor (Lance)  
 Servo Controlled X/Y Lance Positioning

#### Standard Features (Controller)

200 product fill data storage  
 Ethernet Connection  
 ± filling tolerance  
 Multiple product menus  
 Prefill Target  
 Decrementing container counter  
 IND560 terminal  
 No container/no fill  
 Lance flush by time or weight  
 AB Compactlogix™ PLC  
 Cycle Timer  
 Final cutoff delay  
 Allen Bradley PanelView 600  
 No feed timer  
 Product flow rate check  
 Resume fill



Contact Custom Systems Application Support for quotes

# Applied NewClassic MS-TS

## Worry-Free Weighing

### Trusted Results

Built-in checks and safety features such as MinWeigh, LevelControl, ISO-Log, Sample IDs, Passcode Protection and Automatic Internal Adjustment (FACT)

### Comfortable Weighing

7" Extra-Large Color TFT touchscreen with intuitive user interface and more than 10 built-in applications

### Easy Cleaning

Quick to dismantle: QuickLock for draftshield and glass panels. Chemical resistance: Full metal housing resistant to most chemicals incl. acetone

[www.mt.com/analytical-balances](http://www.mt.com/analytical-balances)



Material Number	Material Description	Maximum Capacity	Readability	Minimum Weight (USP)	Adjustment	Interfaces	Weighing round pan Diameter (W x D)	List Price (CAD)
30133523	Analytical Balance MS204TS/00	220 g	0.1 mg	160 mg	Internal / FACT	USB Host / USB Device / RS232	90 mm	7,545
30133524	Analytical Balance MS304TS/00	320 g						8,865
30133522	Analytical Balance MS104TS/00	120 g						6,520
30133538	Analytical Balance MS104TS/A Approved legal for trade	120 g						6,800
30133539	Analytical Balance MS204TS/A Approved legal for trade	220 g						7,815
30133540	Analytical Balance MS304TS/A Approved legal for trade	320 g						9,145

## MS-TS Accessories

Material Number	Material Description	Order Notes	List Price (CAD)
<b>Accessories</b>			
33360	Density Kit	Density kit for determination of solids	990
11142143	Density Kit MS-DNY-43		990
63052302	Haug Deionizer with Warning Light		3,185
30061260	SmartPrep Weighing Funnel		127
30064493	Spatula Set Analytical		123
<b>Auxilliary Displays and Stands</b>			
12122381	AD-RS-M7		376
12120057	Aux.Display with Connection Box	RS232 auxiliary display with cable	505
224200	RS/LC-BLD	LC/RS-BLD auxiliary display with backlit LCD display	630
<b>Battery Pack</b>			
12122363	PowerPac-M-12V	This item can be ordered only via email or fax – please contact our customer support	710
<b>Cables</b>			
51191926	USB Cable (1.8 m A-B) for PC or printer		34
<b>Connection Cables</b>			
11101052	Cable RS9-RS25 (M/W) 2m	3' RS232 cable, DB9 - DB25 (requires male gender changer)	121
11101051	Cable RS9-RS9 (M/W) 1m	RS232 cable m/f, lenght 1m	120
11103691	Cable USB/RS232	USB-232 converter cable to connect the balance to a PC USB port	238
<b>Density Determination</b>			
30004077	Density Kit MS-DNY-54	Density Kit MS-DNY-54 for JP105DUG	1,095
210260	Sinker 10 cm3	Displacement body for density kit	1,015
210672	Sinker calibrated packed C		1,435
<b>Draft Shields</b>			
12122404	Set DS High		920
12121880	SIDE GLASS LEFT HIGH WITH HANDLE		71
12121882	SIDE GLASS RIGHT HIGH WITH HANDLE		70
12121884	TOP GLASS WITH HANDLE		107
<b>Evaporation Traps</b>			
30014460	Kit Pipette Check MS		1,635
<b>LabX® Direct Balance</b>			
11120340	LABXDIRECT CD	LabX direct balance for simple data transfer 2.4	1,035
<b>Miscellaneous</b>			
12122019	BOTTOM PLATE		65
12122013	Draft shield lock		44
12122011	FRONT GLASS HIGH		71
12122012	REAR GLASS HIGH		71
12122008	WINDRING D90		71

Material Number	Material Description	Order Notes	List Price (CAD)
<b>Power Supply and Protection</b>			
11120270	Adapter AC/DC JB	Universal AC adapter set	127
<b>Protective Covers</b>			
12121850	In use cover 1 hole small		71
30006615	Protective Cover MS-TS Semi-Micro		56
<b>Static Elimination Equipment</b>			
11107767	Anti Static Kit		3,235
<b>Transport cases</b>			
11124245	Demo case MS-TS		1,500
<b>Weighing pans</b>			
12122010	WEIGHING PAN D90		44

# Applied NewClassic ML-T

## Big Features Go Compact

### Intuitive interface simplifies operation

The large 4.5" color TFT touchscreen with clear icons and intuitive guidance enables users to operate quickly even while wearing cloth/rubber gloves.

### Proven weighing cell, reliable results

MonoBloc weighing cell with FACT automatic internal adjustment and the Level-Control functionality deliver reliable results.

### Compact and convenient

The compact design makes the most of your workspace, while offering powerful functionalities to support you in your daily tasks.

[www.mt.com/mlt-analytical](http://www.mt.com/mlt-analytical)



**Interfaces** USB Host / USB Device / RS232

Material Number	Material Description	Maximum Capacity	Readability	Minimum Weight (USP)	Weighing round Pan Diameter (W x D)	List Price (CAD)
30243391	Analytical Balance ML54T/00	52 g	0.1 mg	160 mg	90 mm	5,375
30243394	Analytical Balance ML104T/00	120 g				5,485
30243397	Analytical Balance ML204T/00	220 g				6,340
30243400	Analytical Balance ML304T/00	320 g				7,495
30243392	Analytical Balance ML54T/A Approved legal for trade	52 g				5,665
30243395	Analytical Balance ML104T/A Approved legal for trade	120 g				5,760
30243398	Analytical Balance ML204T/A Approved legal for trade	220 g				6,615
30243401	Analytical Balance ML304T/A Approved legal for trade	320 g				7,780



## ML-T Accessories

Material Number	Material Description	Order Notes	List Price (CAD)
<b>Auxilliary Displays and Stands</b>			
12122381	AD-RS-M7		376
12120057	Aux.Display with Connection Box	RS232 auxiliary display with cable	505
224200	RS/LC-BLD	LC/RS-BLD auxiliary display with backlit LCD display	630
<b>BT Dongle</b>			
30086495	BOX,Bluetooth,EDR,V2.0,RS232,int,pair	To interface to P-56RUE, P-58RUE, RS-P25, RS-P26, RS-P28 Printers. Must have enhanced hardware and 2.20 (or newer) Firmware.	535
30086494	BOX,Bluetooth,EDR,V2.0,RS232,int,single	To interface to a PC that has Bluetooth SPP capability. Must have enhanced hardware and 2.20 (or newer) Firmware.	282
<b>Connection Cables</b>			
11101052	Cable RS9-RS25 (M/W) 2m	3' RS232 cable, DB9 - DB25 (requires male gender changer)	121
11101051	Cable RS9-RS9 (M/W) 1m	RS232 cable m/f, lenght 1m	120
11103691	Cable USB/RS232	USB-232 converter cable to connect the balance to a PC USB port	238
64088427	CABLE,USB TO RS232 CONVERTER,FTDI		184
<b>Density Determination</b>			
11142144	Density Kit ML-DNY-43	Density Kit ML-DNY-43 for JP/JS	830
210260	Sinker 10 cm3	Displacement body for density kit	1,015
210672	Sinker calibrated packed C		1,435
210674	Sinker recertified		635
<b>Draft Shields</b>			
12121015	ML-DS-21		460
<b>LabX® Direct Balance</b>			
11120340	LABXDIRECT CD	LabX direct balance for simple data transfer 2.4	1,035
<b>Power Supply and Protection</b>			
11120270	Adapter AC/DC JB	Universal AC adapter set	127
<b>Printers</b>			
30094673	P-56RUE	P-56RUE, Thermal Printer with Date / Time	1,205
30094674	P-58RUE	P-58RUE, Thermal Printer with Date / Time, Statistics, Totaling, Formulation, Labeling	1,515
<b>Static Elimination Equipment</b>			
11107767	Anti Static Kit		3,235
<b>Transport cases</b>			
11124240	Transport Case ML Precision	Transport case JS, JP without draft shield	

# Applied Entry ME-T

## For Your Essential Needs

### Intuitive touch operation

The unit's large 4.5" color TFT touchscreen with clear icons and intuitive guidance enables users to operate it quickly.

### Accuracy ensured

An Electromagnetic Force Compensation (EMFC) weighing cell delivers consistently reliable results.

### Built-in ease and security

Eight embedded applications including checkweighing, totaling and formulation allow operators to start working right away.

[www.mt.com/met-analytical](http://www.mt.com/met-analytical)



Material Number	Material Description	Maximum Capacity	Readability	Minimum Weight (USP), Typical	Interfaces	Adjustment	Weighing Pan Dimensions (W x D)	List Price (CAD)
30216620	Analytical Balance ME54TE/00	52 g	0.1 mg	0.16 g	RS232; USB Device; USB Host	External	90 mm	3,950
30216623	Analytical Balance ME104TE/00	120 g						4,030
30216625	Analytical Balance ME204TE/00	220 g						4,655

## ME-T Accessories

Material Number	Material Description	Order Notes	List Price (CAD)
<b>Connection Cables</b>			
11101052	Cable RS9-RS25 (M/W) 2m	3' RS232 cable, DB9 - DB25 (requires male gender changer)	121
11101051	Cable RS9-RS9 (M/W) 1m	RS232 cable m/f, lenght 1m	120
64088427	CABLE,USB TO RS232 CONVERTER,FTDI		184
<b>Draft Shields</b>			
30037731	Set DS High ME		725
30042884	Set DS Low ME		675
<b>Dust Cover</b>			
30029050	Dust Cover 3 place Alli	Dust cover for JE with low draft shield	60
<b>LabX® Direct Balance</b>			
11120340	LABXDIRECT CD	LabX direct balance for simple data transfer 2.4	1,035
<b>Power Supply and Protection</b>			
11120270	Adapter AC/DC JB	Universal AC adapter set	127
<b>Printers</b>			
30094673	P-56RUE	P-56RUE, Thermal Printer with Date / Time	1,205
30094674	P-58RUE	P-58RUE, Thermal Printer with Date / Time, Statistics, Totaling, Formulation, Labeling	1,515
<b>Transport cases</b>			
30046404	Demo box H DS Alli		1,025
30046405	Demo box L DS Alli	Transport case for JE with draft shield (carat only)	915
30046406	Demo box w/o DS Alli	Transport case for JE without draft shield	805

# Classic ME

Applied

## The Essence of Weighing

### Designed to Last

Laboratory balances built to last. The solid construction and high quality materials ensure you can rely on accurate results for many years to come.

### Simply Reliable

State-of-the art weighing technology ensures stable and accurate results which are easy to read thanks to a large backlit display.

### Efficient Operation

The easy-to-use interface enables direct access to applications. Coupled with easy cleaning, your daily tasks are fast and efficient.

[www.mt.com/newclassic-me](http://www.mt.com/newclassic-me)



Material Number	Description	Maximum Capacity	Readability	Repeatability	Linearity	List Price (CAD)
30029077	ME54E	52 g	0.1 mg	0.08 mg		2,715
30029076	ME104E	120 g				3,090
30029075	ME204E	220 g				3,545

# Applied Excellence

## XPR-S Precision

### Go Beyond Weighing

#### Outstanding Performance

The SmartPan™ weighing pan minimizes the effects of air currents on the weighing cell to deliver faster and more accurate results. In most conditions a draft shield is no longer needed, significantly reducing process steps.

#### Effortless Compliance

QA functions automatically monitor the balance level, routine tests and the minimum weight limit. The integrated StatusLight™ makes it easy to see at a glance if it is okay to start your weighing task.

#### Error-free Data Handling

Data transfer to a PC or software program is easy and error-free via USB or Ethernet. Integrated LabX functionalities assist you in ensuring data integrity. Just plug in a printer and barcode reader to eliminate manual transcription.



[www.mt.com/xpr-precision](http://www.mt.com/xpr-precision)

Material Number	Description	Maximum Capacity	Readability	Linearity ±	Repeatability (Test Weight)	List Price (CAD)
30316446	XPR303SN	310 g	1 mg	2 mg	100 g	8,325
30315753	XPR303S					8,585
30316529	XPR603SNDR	610 g / 120 g	0.01 g / 1 mg	6 mg	200 g	8,720
30316525	XPR603SDR					8,985
30316540	XPR603SN	610 g	1 mg	2 mg	500 g	9,795
30316504	XPR603S					10,110
30316563	XPR1203S	1210 g	1 mg	6 mg	1000 g	12,200
30316701	XPR3003S	3.1 kg				13,330
30316990	XPR5003S	5.1 kg	5 mg	7 mg	2 kg	14,990
30316705	XPR3003SD5	3.1 kg				9,935
30316548	XPR6003SD5	6.1 kg	0.01 g	20 mg	2 kg	10,790
30317123	XPR1202S	1210 g				7,035
30316996	XPR2002S	2.1 kg	0.01 g	20 mg	1000 g	8,440
30317269	XPR4002S	4.1 kg				8,805
30317458	XPR6002SDR	6.1 kg / 1.2 kg	0.1g / 0.01 g	60 mg	2 kg	8,810
30317428	XPR6002S	6.1 kg	0.01 g	20 mg	5 kg	9,545
30317466	XPR8002S	8.1 kg				10,860
30317433	XPR10002S	10.1 kg	0.1 g	60 mg	2 kg	11,860
30317447	XPR4001S	4.1 kg				6,370
30317491	XPR6001S	6.1 kg	0.1 g	100 mg	5 kg	7,150
30317511	XPR8001S	8.1 kg				7,725
30317483	XPR10001S	10.1 kg				8,350

N = Not Supplied with Draft Shield (Optional Accessory)

DR=DeltaRange

D5 = 5mg readability

# Applied Excellence

## XPR-L Precision

### Go Beyond Weighing

#### Outstanding Performance

The SmartPan™ weighing pan minimizes the effects of air currents on the weighing cell to deliver faster and more accurate results. In most conditions a draft shield is no longer needed, significantly reducing process steps.

#### Effortless Compliance

QA functions automatically monitor the balance level, routine tests and the minimum weight limit. The integrated StatusLight™ makes it easy to see at a glance if it is okay to start your weighing task.

#### Error-free Data Handling

Data transfer to a PC or software program is easy and error-free via USB or Ethernet. Integrated LabX functionalities assist you in ensuring data integrity. Just plug in a printer and barcode reader to eliminate manual transcription.

[www.mt.com/xpr-precision](http://www.mt.com/xpr-precision)



Material Number	Description	Maximum Capacity	Readability	Linearity ±	Repeatability (Test Weight)	List Price (CAD)
30317522	XPR15002L	15.1 kg	0.01 g	20 mg	5 kg	14,180
30317526	XPR20002LDR	20.1 kg / 4.2 kg	0.1 g / 0.01 g			15,010
30317530	XPR10001L	10.1 kg	0.1 g	200 mg	10 kg	9,610
30317542	XPR16001L	16.1 kg		10,270		
30316292	XPR32001L	32.1 kg		300 mg	13,150	
30316477	XPR64001L	64.1 kg		500 mg	16,830	
30316485	XPR32000L	32.1 kg	1 g	600 mg	10 kg	9,435
30316493	XPR64000L	64.1 kg	1 g		20 kg	13,600

DR=DeltaRange

## XPR Precision Accessories

Material Number	Material Description	Order Notes	List Price (CAD)
<b>Antistatic solutions</b>			
63052302	Universal Antistatic Kit		3,185
30215452	USB Antistatic Kit	Includes one stand and one compact ionizer	3,920
30300921	Optional Second Ionizer	for USB antistatic kit	3,340
<b>Printers and Barcode Readers</b>			
30237290	P-52 RUE Dot Matrix Printer	USB, Ethernet, optional BT	1,180
30094673	P-56 RUE Thermal Direct Printer	USB, Ethernet, optional BT	1,205
30094674	P-58 RUE Thermal direct printer	USB, Ethernet, optional BT	1,515
30086494	Optional BT interface for P5X printers		282
<b>Sensors and Switches</b>			
30300915	ErgoSens Infrared sensor	for touch-free remote operation (USB connection)	1,950
30312558	Footswitch	Switch for remote operation (USB connection)	960
<b>Weighing Pans</b>			
30215056	Weighing pan, 172 x 205 mm	for 5 mg, 10 mg S-Models	215
11132655	Weighing pan support, 190 x 223 mm	for 0.1 g S-Models; incl. pan support	338
<b>Cables and Interfaces</b>			
64088427	USB-RS232 Converter	Connects RS232 peripheral devices to the balance	184
71211078	Cable USB 2.2m		238
30300920	Terminal extension cable	4.5 m length	264
30416089	USB Bluetooth adapter	for XPR and XSR balances	140
<b>Filling Process Control</b>			
30374389	LV12 automatic feeder		11,350
11132711	LV12 Pro Draft-Shield door	for 1 mg S-models	625
<b>Protective Covers</b>			
30300966	S-Platform Protective Cover	for 5mg, 10 mg, and 0.1 g	114
30300967	S-Platform Protective Cover	for 1 mg	114
30125377	Protective cover for XPR terminal		109
30106207	Protective cover for standard weighing pan	for 5mg & 10 mg S-platforms. 172 x 205 mm	54
30106204	Protective cover for standard weighing pan	for 0.1g S-platforms. 190 x 223 mm	69
<b>Other Accessories</b>			
30113497	Transport case for S-Platform Balances	1 mg (no draft-shield), 5 mg, 10 mg and 0.1 g models	1,350
11132657	Dynamic weighing kit		346
11600361	Anti-theft device		218

# Applied Excellence

## XSR-S Precision

### Efficient, Robust, Ergonomic

#### Fast Performance

The SmartPan™ weighing pan minimizes the effects of air currents on the weighing cell to deliver faster and more accurate results. In most conditions a draft shield is no longer needed, significantly reducing process steps.

#### Extremely Durable

The new Monobloc™ weighing cell delivers fast and precise results. Integrated overload protection and the full metal housing safeguard the weighing cell and help ensure a long balance lifetime.

#### Error-free Data Transfer

You no longer need to record results by hand or spend time typing in data. Simply transfer task parameters and results to a PC or software application via USB. Large volumes of data can be transferred quickly and without error.



[www.mt.com/xsr-precision](http://www.mt.com/xsr-precision)

Material Number	Description	Maximum Capacity	Readability	Linearity ±	Repeatability (Test Weight)	List Price (CAD)			
30316500	XSR303SN	310 g	1 mg	2 mg	100 g	6,715			
30315757	XSR303S					7,070			
30316544	XSR603SN	610 g			0.01 g	20 mg	200 g	7,670	
30316497	XSR603S							7,970	
30316567	XSR1203S	1210 g	0.01 g / 0.01 g	0.06 g			500 g	10,610	
30317127	XSR1202S							5,715	
30317407	XSR2002S	2.1 kg					1000 g	2 kg	6,740
30317443	XSR4002S	4.1 kg							7,250
30317462	XSR6002SDR	6.1 kg / 1.2 kg			0.01 g	100 mg	5 kg	7,470	
30317453	XSR6002S	6.1 kg						8,030	
30317437	XSR10002S	10.1 kg			0.1 g	60 mg	2 kg	9,655	
30317501	XSR4001S	4.1 kg						4,970	
30317496	XSR6001S	6.1 kg	5,190						
30317515	XSR8001S	8.1 kg	100 mg	5 kg				6,175	
30317487	XSR10001S	10.1 kg						7,205	



# Applied Excellence

## XSR-L Precision

### Efficient, Robust, Ergonomic

#### Fast Performance

The SmartPan™ weighing pan minimizes the effects of air currents on the weighing cell to deliver faster and more accurate results. In most conditions a draft shield is no longer needed, significantly reducing process steps.

#### Extremely Durable

The new Monobloc™ weighing cell delivers fast and precise results. Integrated overload protection and the full metal housing safeguard the weighing cell and help ensure a long balance lifetime.

#### Error-free Data Transfer

You no longer need to record results by hand or spend time typing in data. Simply transfer task parameters and results to a PC or software application via USB. Large volumes of data can be transferred quickly and without error.



[www.mt.com/xsr-precision](http://www.mt.com/xsr-precision)

Material Number	Description	Maximum Capacity	Readability	Linearity ±	Repeatability (Test Weight)	List Price (CAD)
30317536	XSR10001L	10.1 kg	0.1 g	200 mg	5 kg	8,385
30317549	XSR16001L	16.1 kg				8,590
30316472	XSR32001LDR	32.1 kg / 6400 g	1 g / 0.1 g	300 mg	10 kg	9,095
30316297	XSR32001L	32.1 kg	0.1 g			9,865
30316481	XSR16000L	16.1 kg	1 g	0.6 g	5 kg	7,220
30316489	XSR32000L	32.1 kg			10 kg	7,650

DR=DeltaRange

## XSR Accessories

Material Number	Material Description	Order Notes	List Price (CAD)
<b>Antistatic solutions</b>			
63052302	Universal Antistatic Kit		3,185
30215452	USB Antistatic Kit	Includes one stand and one compact ionizer	3,920
30300921	Optional Second Ionizer	for USB antistatic kit	3,340
<b>Printers and Barcode Readers</b>			
30237290	P-52 RUE Dot Matrix Printer	USB, Ethernet, optional BT	1,180
30094673	P-56 RUE Thermal Direct Printer	USB, Ethernet, optional BT	1,205
30094674	P-58 RUE Thermal direct printer	USB, Ethernet, optional BT	1,515
30086494	Optional BT interface for P5X printers		282
<b>Sensors and Switches</b>			
30300915	ErgoSens Infrared sensor	for touch-free remote operation (USB connection)	1,950
30312558	Footswitch	Switch for remote operation (USB connection)	960
<b>Weighing Pans</b>			
30215056	Weighing pan, 172 x 205 mm	for 5 mg, 10 mg S-Models	215
11132655	Weighing pan support, 190 x 223 mm	for 0.1 g S-Models; incl. pan support	338
<b>Cables and Interfaces</b>			
64088427	USB-RS232 Converter	Connects RS232 peripheral devices to the balance	184
71211078	Cable USB 2.2m		238
30300920	Terminal extension cable	4.5 m length	264
30416089	USB Bluetooth adapter	for XPR and XSR balances	140
<b>Protective Covers</b>			
30300966	S-Platform Protective Cover	for 5mg, 10 mg, and 0.1 g	114
30300967	S-Platform Protective Cover	for 1 mg	114
30125377	Protective cover for XPR terminal		109
30106207	Protective cover for standard weighing pan	for 5mg & 10 mg S-platforms. 172 x 205 mm	54
30106204	Protective cover for standard weighing pan	for 0.1g S-platforms. 190 x 223 mm	69
<b>Other Accessories</b>			
30113497	Transport case for S-Platform Balances	1 mg (no draft-shield), 5 mg, 10 mg and 0.1 g models	1,350
11132657	Dynamic weighing kit		346
11600361	Anti-theft device		218

# Applied NewClassic MS-TS

## Worry-Free Weighing

### Trusted Results

Built-in checks and safety features such as MinWeigh, LevelControl, ISO-Log, Sample IDs, Passcode Protection and Automatic Internal Adjustment (FACT)

### Comfortable Weighing

7" Extra-Large Color TFT touchscreen with intuitive user interface and more than 10 built-in applications

### Robust and Durable

Full metal housing and robust Monobloc weighing cell for highest performance & longest lifetime with massive overload protection

[www.mt.com/precision-balances](http://www.mt.com/precision-balances)



**Interfaces** USB Host / USB Device / RS232

Material Number	Material Description	Maximum Capacity	Readability	Minimum Weight (USP)	Weighing Pan Dimensions (W x D)	List Price (CAD)		
30133525	Precision Balance MS303TS/00	320 g	1 mg	1.4 g	127 mm x 127 mm	5,135		
30133526	Precision Balance MS403TS/00	420 g				5,460		
30133528	Precision Balance MS1003TS/00	1,020 g				71,80		
30133527	Precision Balance MS603TS/00	620 g	0.001 g	14 g	170 mm x 200 mm	6,520		
30133529	Precision Balance MS1602TS/00	1,620 g	0.01 g			4,450		
30133530	Precision Balance MS3002TS/00	3,200 g				5,070		
30133531	Precision Balance MS4002TS/00	4,200 g				5,500		
30133533	Precision Balance MS6002TS/00	6,200 g				6,405		
30133535	Precision Balance MS12002TS/00	12,200 g	0.01 g; 0.1 g			7,350		
30133532	Precision Balance MS4002TS-DR/00	820 g; 4,200 g				4,810		
30133534	Precision Balance MS6002TS-DR/00	1,220 g; 6,200 g				5,725		
30133536	Precision Balance MS8001TS/00	8,200 g	0.1 g			140 g	190 mm x 226 mm	4,570

If you need an MS with a large pan, order the models below. These are NOT MS-TS models. These are MS Models with a Large Pan.

Material Number	Material Description	Maximum Capacity	Readability	Minimum Weight (USP)	Weighing Pan Dimensions (W x D)	List Price (CAD)
11145013	MS12001L	12,200 g	0.1 g		351 mm x 245 mm	6,305
11145016	MS16001L	16,200 g				6,580
11145028	MS32001L	32,200 g				7,710
11124701	MS32000L	32,200 g	1 g		6,700	
11145014	MS12001L/A03	12,200 g	0.1 g		6,505	
11145017	MS16001L/A03	16,200 g			6,795	
11145029	MS32001L/A03	32,200 g			8,785	
11145142	MS32000L/A03	32,200 g	1 g		6,900	

## MS-TS Approved Legal for Trade Precision Balances

Material Number	Material Description	Maximum Capacity	Readability	Minimum Weight (USP)	Weighing Pan Dimensions (W x D)	List Price (CAD)
30133541	MS303TS/A	320 g	1 mg	1.4 g	351 mm x 245 mm	4,730
30133542	MS403TS/A	420 g				
30133543	MS603TS/A	620 g	0.001 g			
30133544	MS1003TS/A	1,020 g	1 mg			
30133545	MS1602TS/A	1,620 g	0.01 g	14 g		4,460
30133546	MS3002TS/A	3,200 g	0.01 g			5,350
30133547	MS4002TS/A	4,200 g				0.01 g; 0.1 g
30133548	MS4002TSR/A		0.01 g			5,085
30133549	MS6002TS/A	6,200 g	0.01 g; 0.1 g			6,680
30133550	MS6002TSR/A		0.01 g			6,005
30133551	MS12002TS/A	12,200 g	0.1 g			7,630
30133552	MS8001TS/A	8,200 g	1 g			140 g

## MS-TS Accessories

Material Number	Material Description	Order Notes	List Price (CAD)
<b>Accessories</b>			
11142143	Density Kit MS-DNY-43		990
63052302	Haug Deionizer with Warning Light		3,185
30006471	MS-DWP-21	Dynamic Weighing Pan	306
<b>Auxiliary Displays and Stands</b>			
12122381	AD-RS-M7		376
12120057	Aux. Display with Connection Box	RS232 auxiliary display with cable	505
224200	RS/LC-BLD	LC/RS-BLD auxiliary display with backlit LCD display	630
<b>Battery Pack</b>			
12122363	PowerPac-M-12V	This item can be ordered only via email or fax – please contact our customer support	710
<b>Cables</b>			
51191926	USB Cable (1.8 m A-B) for PC or printer		34
<b>Connection Cables</b>			
11101052	Cable RS9-RS25 (M/W) 2m	3' RS232 cable, DB9 - DB25 (requires male gender changer)	121
11101051	Cable RS9-RS9 (M/W) 1m	RS232 cable m/f, length 1m	120
11103691	Cable USB/RS232	USB-232 converter cable to connect the balance to a PC USB port	238
<b>BT Dongle</b>			
30086495	BOX,Bluetooth,EDR,V2.0,RS232,int,pair	BT adapter to interface with P-56RUE, P-58RUE, RS-P25, RS-P26, RS-P28 Printers. Must have enhanced hardware and 2.20 or newer firmware	535
30086494	BOX,Bluetooth,EDR,V2.0,RS232,int,single	BT adapter to interface with PC. For MS-TS, ML-T, ME-T	282
<b>Hook for MS-L Hook for MS-L</b>			
11132565	HOOK M-L PLATFORM	Hook for weighing below balance for "M", "L", and "S" size platform	155

Material Number	Material Description	Order Notes	List Price (CAD)
<b>Draft Shields</b>			
12121014	MS-DS-21		580
12122405	Set DS Low		820
12121881	SIDE GLASS LEFT LOW WITH HANDLE		96
12121883	SIDE GLASS RIGHT LOW WITH HANDLE		96
12121884	TOP GLASS WITH HANDLE		107
<b>LabX® Direct Balance</b>			
11120340	LABXDIRECT CD	LabX direct balance for simple data transfer 2.4	1,035
<b>Miscellaneous</b>			
12122019	BOTTOM PLATE		65
12122013	Draft shield lock		44
12122014	FRONT GLASS LOW		71
12122016	PAN SUPPORT 127X127X13.2		92
12122017	PAN SUPPORT 127X127X22.9		92
12122015	REAR GLASS LOW		68
12122009	WEIGHING PAN 127X127		48
12122018	WIND RING SQUARE		48
<b>Power Supply and Protection</b>			
11120270	Adapler AC/DC JB	Universal AC adapter set	127
<b>Protective Covers</b>			
30216667	In Use Cover for all MS-TS balances (all models)		68
12121852	In use cover for MS-L balances		143
<b>Static Elimination Equipment</b>			
11107767	Anti Static Kit	U-electrode large and Universal power supply included	3,235
<b>Transport cases</b>			
11124245	Demo case MS		1,500

# Applied NewClassic ML-T

## Big Features Go Compact

### Intuitive interface simplifies operation

The large 4.5" color TFT touchscreen with clear icons and intuitive guidance enables users to operate quickly even while wearing cloth/rubber gloves.

### Proven weighing cell, reliable results

MonoBloc weighing cell with FACT automatic internal adjustment and the Level-Control functionality deliver reliable results.

### Compact and convenient

The compact design makes the most of your workspace, while offering powerful functionalities to support you in your daily tasks.

[www.mt.com/mlt-precision](http://www.mt.com/mlt-precision)



**Interfaces** USB Host / USB Device / RS232

Material Number	Material Description	Maximum Capacity	Readability	Minimum Weight (USP)	Weighing round Pan Diameter (W x D)	List Price (CAD)
30243403	Precision Balance ML203T/00	220 g	1 mg	1,400 mg	120 mm	3,325
30243406	Precision Balance ML303T/00	320 g				3,705
30243409	Precision Balance ML503T/00	520 g				5,370
30243412	Precision Balance ML802T/00	820 g	0.01 g	14 g	170 x 190 mm	3,080
30243415	Precision Balance ML1602T/00	1,620 g				3,580
30243418	Precision Balance ML3002T/00	3,200 g				4,055
30243421	Precision Balance ML4002T/00	4,200 g				4,485
30243424	Precision Balance ML6002T/00	6,200 g				5,015
30243427	Precision Balance ML3001T/00	3,200 g	0.1 g	120 g		3,185
30243430	Precision Balance ML6001T/00	6,200 g				3,680

## ML-T Approved Legal for Trade Precision Balances

Material Number	Material Description	Maximum Capacity	Readability	Minimum Weight (USP)	Weighing round Pan Diameter (W x D)	List Price (CAD)
30243404	Precision Balance ML203T/A	220 g	1 mg	1,400 mg	120 mm	3,440
30243407	Precision Balance ML303T/A	320 g				3,800
30243410	Precision Balance ML503T/A	520 g				5,390
30243413	Precision Balance ML802T/A	820 g	0.01 g	14 g	170 x 190 mm	3,210
30243416	Precision Balance ML1602T/A	1,620 g				3,685
30243419	Precision Balance ML3002T/A	3,200 g				4,135
30243422	Precision Balance ML4002T/A	4,200 g				4,550
30243425	Precision Balance ML6002T/A	6,200 g				5,050
30243428	Precision Balance ML3001T/A	3,200 g	0.1 g	120 g		3,305
30243431	Precision Balance ML6001T/A	6,200 g				3,775

## ML-T Accessories

Material Number	Material Description	Order Notes	List Price (CAD)
<b>Accessories</b>			
63052302	Haug Deionizer with Warning Light		3,185
<b>Auxilliary Displays and Stands</b>			
12122381	AD-RS-M7		376
12120057	Aux.Display with Connection Box	RS232 auxiliary display with cable	505
224200	RS/LC-BLD	LC/RS-BLD auxiliary display with backlit LCD display	630
<b>BT Dongle</b>			
30086495	BOX,Bluetooth,EDR,V2.0,RS232,int,pair	BT adapter to interface with P-56RUE, P-58RUE, RS-P25, RS-P26, RS-P28 Printers. Must have enhanced hardware and 2.20 or newer firmware	535
30086494	BOX,Bluetooth,EDR,V2.0,RS232,int,single	BT adapter to interface with PC. For MS-TS, ML-T, ME-T	282
<b>Connection Cables</b>			
11101052	Cable RS9-RS25 (M/W) 2m	3' RS232 cable, DB9 - DB25 (requires male gender changer)	121
11101051	Cable RS9-RS9 (M/W) 1m	RS232 cable m/f, lenght 1m	120
11103691	Cable USB/RS232	USB-232 converter cable to connect the balance to a PC USB port	238
64088427	CABLE,USB TO RS232 CONVERTER,FTDI		184
<b>Density Determination</b>			
11142144	Density Kit ML-DNY-43	Density Kit ML-DNY-43 for JP/JS	830
210260	Sinker 10 cm3	Displacement body for density kit	1,015
210672	Sinker calibrated packed C		1,435
210674	Sinker recertified		635
<b>Draft Shields</b>			
12121015	ML-DS-21		460
<b>LabX® Direct Balance</b>			
11120340	LABXDIRECT CD	LabX direct balance for simple data transfer 2.4	1,035
<b>Power Supply and Protection</b>			
11120270	Adapter AC/DC JB	Universal AC adapter set	127
<b>Protective Covers</b>			
30241514	Protective Cover	For ML-T balances with draft shield	15
30241513	Protective Cover	For ML-T balances with square pan	26
<b>Printers</b>			
30094673	P-56RUE	P-56RUE, Thermal Printer with Date / Time	1,205
30094674	P-58RUE	P-58RUE, Thermal Printer with Date / Time, Statistics, Totaling, Formulation, Labeling	1,515
<b>Static Elimination Equipment</b>			
11107767	Anti Static Kit	U-electrode large and Universal power supply included	3,235
<b>Transport cases</b>			
11124240	Transport Case ML Precision	Transport case JS, JP without draft shield	call



# Applied Entry ME-T

## For Your Essential Needs

### Intuitive touch operation

The unit's large 4.5" color TFT touchscreen with clear icons and intuitive guidance enables users to operate it quickly.

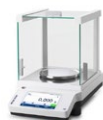
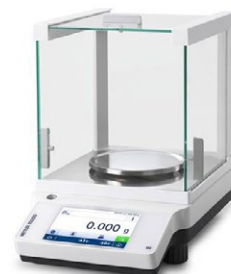
### Accuracy ensured

An Electromagnetic Force Compensation (EMFC) weighing cell delivers consistently reliable results.

### Built-in ease and security

Eight embedded applications including checkweighing, totaling and formulation allow operators to start working right away.

[www.mt.com/met-precision](http://www.mt.com/met-precision)



Material Number	Description	Maximum Capacity	Readability	Minimum Weight (USP), Typical	Adjustment	Weighing Pan Dimensions (W x D)	List Price (CAD)
30216546	ME103TE/00	120 g	1 mg	1.4 g	External	120 mm	2,210
30216549	ME203TE/00	220 g					2,445
30216552	ME303TE/00	320 g					2,720
30216557	ME403TE/00	420 g					3,325



Material Number	Description	Maximum Capacity	Readability	Minimum Weight (USP), Typical	Adjustment	Weighing Pan Dimensions (W x D)	List Price (CAD)
30216559	ME1002TE/00	1,200 g	0.01 g	14 g	External	180 mm x 180 mm	2,635
30216561	ME2002TE/00	2,200 g					2,795
30216563	ME3002TE/00	3,200 g					2,985
30216566	ME4002TE/00	4,200 g					3,140



Material Number	Description	Maximum Capacity	Readability	Minimum Weight (USP), Typical	Adjustment	Weighing Pan Dimensions (W x D)	List Price (CAD)
30216568	ME4001TE/00	4,200 g	0.1 g	14 g	External	180 mm x 180 mm	2,225

## ME-T Accessories

Material Number	Material Description	Order Notes	List Price (CAD)
<b>BT Dongle</b>			
30086495	BOX,Bluetooth,EDR,V2.0,RS232,int,pair	BT adapter to interface with P-56RUE, P-58RUE, RS-P25, RS-P26, RS-P28 Printers. Must have enhanced hardware and 2.20 or newer firmware	535
30086494	BOX,Bluetooth,EDR,V2.0,RS232,int,single	BT adapter to interface with PC. For MS-TS, ML-T, ME-T	282
<b>Connection Cables</b>			
11101052	Cable RS9-RS25 (M/W) 2m	3' RS232 cable, DB9 - DB25 (requires male gender changer)	121
11101051	Cable RS9-RS9 (M/W) 1m	RS232 cable m/f, length 1m	120
64088427	CABLE,USB TO RS232 CONVERTER,FTDI		184
<b>Draft Shields</b>			
30037731	Draft Shield High with sliding doors, 235 mm	for balances 0.1mg or 1mg, weighing pan #30042896 (160mm) is needed	725
30042884	Draft Shield low with sliding doors, 170 mm	for balances 0.01g or 0.1g, weighing pan #30042896 is needed (160mm)	675
<b>Dust Cover</b>			
30029051	Dust Cover 2 place Alli	Dust cover for JE without draft shield	60
30029050	Dust Cover 3 place Alli	Dust cover for JE with low draft shield	60
<b>LabX® Direct Balance</b>			
11120340	LABXDIRECT CD	LabX direct balance for simple data transfer 2.4	1,035
<b>Power Supply and Protection</b>			
11120270	Adapter AC/DC JB	Universal AC adapter set	127
<b>Printers</b>			
30094673	Lab equip access. data writer P-56RUE	P-56RUE, Thermal Printer with Date / Time	1,205
30094674	Lab equip access. data writer P-58RUE	P-58RUE, Thermal Printer with Date / Time, Statistics, Totaling, Formulation, Labeling	1,515
<b>Protective Covers</b>			
30113802	Pan Protection ME 175x175mm (Set 20 pcs)	Pan protection JE 0.01g 175x175mm	call
30241549	Protective Cover	for ME-TE balances with draft shield	call
30241560	Protective Cover	for ME-TE balances without a draft shield	call
<b>Transport cases</b>			
30046405	Demo box L DS Alli	Transport case for JE with draft shield (carat only)	915
30046406	Demo box w/o DS Alli	Transport case for JE without draft shield	805
<b>Weighing Pan</b>			
30042896	Weighing Pan 160mm for ME-TE	For balances with readability 0.01g and 0.1g using draft shield	65

# Classic ME

Applied

## The Essence of Weighing

### Designed to Last

Laboratory balances built to last. The solid construction and high quality materials ensure you can rely on accurate results for many years to come.

### Simply Reliable

State-of-the-art weighing technology ensures stable and accurate results which are easy to read thanks to a large backlit display.

### Efficient Operation

The easy-to-use interface enables direct access to applications. Coupled with easy cleaning, your daily tasks are fast and efficient.

[www.mt.com/newclassic-me](http://www.mt.com/newclassic-me)



Material Number	Description	Maximum Capacity	Linearity	Resolution	List Price (CAD)
30029098	ME103E	120 g	0.002 g	1 mg	1,695
30029097	ME203E	220 g			1,880
30029096	ME303E	320 g			2,140
30029095	ME403E	420 g			2,280



Material Number	Description	Maximum Capacity	Linearity	Resolution	List Price (CAD)
30029122	ME1002E	1,200 g	0.02 g	0.01 g	1,600
30029121	ME2002E	2.2 kg			1,670
30029120	ME3002E	3.2 kg			1,735
30029884	ME4001E	4.2 kg		0.1 g	1,315
30029119	ME4002E			0.01 g	1,900

**Applied** **Classic**  
**PL-E**

**PL-E Portable Balances**

**Tough and Lightweight Design**

Tough lightweight design offers fully portability and ensures accurate results on even smallest workbenches.

**Backlit LCD display**

Powerful user interface with an attractive backlit LCD display - also gives access to 10 built-in applications.

**Stackable Cover**

Simply stack and pack up to 5 balances for quick, easy storage – effectively protected against dust and dirt.

[www.mt.com/precision-balances](http://www.mt.com/precision-balances)

- Interfaces** RS232
- Adjustment** External
- Display** LCD Backlit Display
- Housing** Plastic ABS/PC
- Power** Battery Powered



Material Number	Description	Maximum Capacity	Readability	Minimum Weight (USP), Typical	Weighing Pan Diameter	List Price (CAD)
30113829	PL6001E	6,200 g	0.1 g	14 g	160 mm	1,275
30113826	PL602E	620 g	0.01 g	14 g	160 mm	1,275
30113823	PL1502E	1,520 g				1,530

# Applied Entry HE Moisture Analyzers

## Reliable, Easy and Affordable

### Reliable Results

The HE moisture analyzer delivers accurate and repeatable moisture measurements.

### Simple Operation

The HE moisture analyzer is simple to use, even for untrained operators.

### Affordable Quality

Get excellent value for money with halogen drying technology and a high performance weighing unit.

[www.mt.com/moisture](http://www.mt.com/moisture)

<b>Readability MC</b>	0.01 %
<b>Repeatability MC ±</b>	0.05 %; 0.15 %
<b>Repeatability MC ± (Sample Weight)</b>	2 g; 10 g
<b>Drying Programs {text}</b>	Standard; Rapid
<b>Heating Technology</b>	Halogen



Material Number	Description	Switch-off criteria	Temperature Increments	Temperature Range	Maximum Capacity	Method Memory	List Price (CAD)
30100251	HE53/01	Automatic; Timed (1 – 120 minutes)	1 °C	50 °C–160 °C x 122 °F–320 °F	54 g	1	3,805
30237205	HE73/01	Automatic; Free; Timed (1 – 120 minutes)	1 °C	50 °C–200 °C x 122 °F–392 °F	71 g	2	4,380

# Applied Classic HC Halogen Moisture Analyzer

## Convenient, Clever and Robust

### Convenient operation

Intuitive to operate and easy to clean, the HC103 brings a new level of comfort to your daily moisture analyzing tasks.

### Clever features

With touchscreen operation and user guidance the HC103 is the perfect choice whether you work in a busy laboratory or a harsh production environment.

### Robust construction

The robust design guarantees long instrument lifetime and reliable results for years to come, whatever types of samples you have.

[www.mt.com/moisture](http://www.mt.com/moisture)



Material Number	Description	Maximum Capacity	Repeatability MC ± (Sample Weight)	Method Memory	Temperature Range	List Price (CAD)
30216103	HC103/01	101 g	10 g	20	40 °C–230 °C; 104 °F–447 °F	6,540

## HE and HC Accessories

Material Number	Material Description	Order Notes	Shipping Weight	List Price (CAD)
<b>Accessories</b>				
00013865	Aluminum Sample Pan	HA-D90, set of 80 pieces		128
11113863	Extra Strong Aluminum Sample Pan	Set of 80 pieces		107
00214462	Stainless Steel Reusable Sample Pan	6 mm, DA-DR1, set of 3 pieces		179
214695	HA-Cage Textile Weighing Pan	1 piece		700
1119460	Adjustment Weight, 50 g (F1)			call
30134141	Temperature Adjustment Kit HE-TCC	certified		905
30134140	Temperature Adjustment Kit HE-Tc			615
30209145	In Use Cover	HE53, HE73		call
00214464	Glass Fiber Filter (for liquids)	Set of 100 pieces		162
<b>Connection Cables</b>				
11101051	Cable RS9-RS9 (M/W) 1m	RS232 cable m/f, lenght 1m		120
64088427	RS232 - USB converter Cable	Cable with converter to connect a balance to a USB port		184
<b>Printer Ribbons</b>				
65975	Ink ribbon	Black Ink Ribbon, Set of 2 cartridges : RS-P25		47
<b>Printer Rolls</b>				
72456	Paper Roll	Set of 5 Rolls: RS-P25		31
11600388	Paper roll adhesive	Paper roll, self-adhesive, min. quantity 3 pcs		33
<b>Printers</b>				
11124320	RS-P25	RS232C connection to instrument, HE53 and HE73		865

## HC Accessories Only

Material Number	Material Description	Order Notes	List Price (CAD)
<b>Accessories</b>			
214758	Downholder		275
30020851	HX/HS/HC TEMP-ADJUSTMENT SET (HA-ETCC)		1,245
214462	Pans reusable, set of 3pcs.		184
<b>Printers</b>			
30094673	Lab equip access. data writer P-56RUE	P-56RUE, Thermal Printer with Date / Time	1,205
30094674	Lab equip access. data writer P-58RUE	P-58RUE, Thermal Printer with Date / Time, Statistics, Totaling, Formulation, Labeling	1,515

Applied **Consumables**  
SmartCal

**Moisture Analyzer Reference Substance**

**Verified instruments in just 10 minutes**

Testing with cSmartCal ensures that your Moisture Analyzer is performing as intended to produce correct results. At METTLER TOLEDO, we test our instruments the same way!

**Certificate of Analysis**

Each batch is issued with a Certificate of Analysis by the German Federal Institute for Materials Research and Testing in Berlin (BAM, www.bam.de).

**Peace of mind at every audit**

Make the auditor happy: Regular testing with cSmartCal provides documented proof that your instrument is performing correctly.

[www.mt.com/smartcal](http://www.mt.com/smartcal)



Material Number	Legacy Number	Description	List Price (CAD)
30005791	30005791	cSmartCal24 - comes with certificate of analysis	1,030

Make the auditor happy: Regular testing with cSmartCal provides documented proof that your instrument is working correctly.



Material Number	Legacy Number	Description	List Price (CAD)
30005793	30005793	cSmartCal12 - comes with certificate of analysis	590

Testing with cSmartCal ensures that your Moisture Analyzer is performing correctly as intended to produce correct results. At METTLER TOLEDO, we test our instruments the same way!

**Certificate of Analysis**

Each batch is issued with a Certificate of Analysis by the German Federal Institute for Materials Research and Testing in Berlin (BAM, www.bam.de).

**Start testing immediately**

The StarterPac contains MS Excel® measurement protocols incl. validation documentation, reporting templates, thermo-hygrometer and 12 cSmartCal tests.



Material Number	Legacy Number	Description	List Price (CAD)
30005918	30005918	StarterPac cSmartCal	650



## Reliable moisture results

### Fast and easy test

SmartCal checks the performance of your Moisture Analyzer in just 10 minutes and is done in the same way as a regular measurement.

### Certified and traceable test

Each SmartCal batch is supplied with a METTLER TOLEDO production certificate.

### Documented instrument performance

The SmartCal measurement protocol documents the instrument performance over time, an important part of the quality documentation required for audits.



Material Number	Legacy Number	Description	List Price (CAD)
30005790	30005790	SmartCal24	725

### Traceable reference substance

Each SmartCal batch is supplied with a METTLER TOLEDO production certificate.

### Documented instrument performance

The SmartCal measurement protocol documents the instrument performance over time, an important part of the quality documentation required for audits.



Material Number	Legacy Number	Description	List Price (CAD)
30005792	30005792	SmartCal12	404

### Start testing immediately

The StarterPac contains MS Excel® measurement protocols incl. validation documentation, reporting templates, thermo-hygrometer and 12 SmartCal tests.



Material Number	Legacy Number	Description	List Price (CAD)
30005917	30005917	StarterPac SmartCal	480



# XP

## Transparency at a Glance

### Pharmacopeia and Net Content

Prepacked goods may not be underfilled and overfilling is not economical! Pharmacopeia requires uniformity. SQC-XP supports both applications.

### For Each Product the Right Balance

SQC-XP is compatible to all balances of the Excellence Plus XP product range. Whether analytical or precision balance.

### Retrofittable on Existing Balance

Can be retrofitted on XP balances, which are already installed and in use.

[www.mt.com/sqc-xp](http://www.mt.com/sqc-xp)



Material Number	Legacy Number	Description	List Price (CAD)
21901277	SQC-XP	SQC-XP SOFTWARE PACKAGE	4,970

# BalanceLink

## Results at a Mouse Click

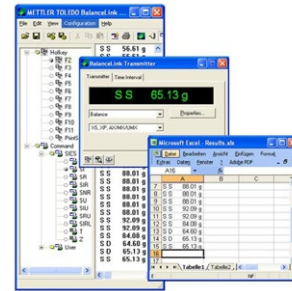
### Easy Data Transfer from Balance to PC

Replaces error-prone manual typing with secure transmission through data link. Measurement values are directly sent to the PC application.

### Large Choice of Compatible Instruments

Preconfigured interfaces for many balances, terminals and instruments. Configurable interface for easy adaptation.

[www.mt.com/balancelink](http://www.mt.com/balancelink)



Material Number	Legacy Number	Description	Order Notes	List Price (CAD)
21900855		BALANCELINK UPGRADE		735
Material Number	Legacy Number	Description	Order Notes	List Price (CAD)
21900857	21900857	BALANCELINK 10LIC	Multiple Seat License (10 in total)	6,120
237010	237010	BALANCELINK	Single Seat License	1,205

# Printers and Peripherals

## Printers

Material Number	Material Description	Order Notes	List Price (CAD)
<b>Printers</b>			
30094673	Printer P-56RUE	P-56RUE, Thermal Printer with Date / Time	1,205
30094674	Printer P-58RUE	P-58RUE, Thermal Printer with Date / Time, Statistics, Totaling, Formulation, Labeling	1,515
11124320	Lab Printer RS-P25/03 (RS232 interface)	Print and auto settings detection only	865
11124323	Lab Printer RS-P26/03 (RS232 interface)	P-25 features AND built-in real-time clock / zero/tare key	1,115
11124324	Lab Printer RS-P28/03 (RS232 interface)	P-26 features AND Built-in statistic application and totaling application	1,315
11124301	Lab Printer USB-P25/01 (USB interface)		1,025
30237290	Printer P-52RUE	HE53/HE73	1,180
11141820	Label printer CLS631		4,885
<b>Printer Ribbons</b>			
65975	Ink ribbon	Black Ink Ribbon, Set of 2 cartridges : LC-P45, RS-P42, RS-B42, Sprinter, SQC14	47
<b>Printer Rolls</b>			
72456	Paper Roll	Set of 5 Rolls: LC-P45, RS-P42, RS-B42, SQC14, Sprinter	31
11600388	Paper roll adhesive	Paper roll, self-adhesive, min. quantity 3 pcs	33
30094725	Self-adhesive label 56mm x 18mm	Self-adhesive label 54mm x 18mm, set of 6 pcs	229
30094724	Self-adhesive paper roll 58mm diam. 50m	Self-adhesive endless label 58mm Ø 50mm, set of 10 pcs	191
504144	Thermal endless labels, 24 rolls	Thermal continuous labels, 24 Rolls	489
30094723	Thermal paper roll 58mm diam. 50mm	Thermal paper roll set of 10 pcs	155
<b>Accessories</b>			
12120735	PAPER ROTARY AXIS RS-P26		30
12120734	SP TOP PAPER COVER RS-P26		71
<b>Anti-theft Devices</b>			
11600361	Anti-theft device XP XS XA	Anti-theft device steel cord with lock JP/JS	218
<b>BT Dongle</b>			
30086495	BOX, Bluetooth, EDR, V2.0, RS232, int, pair	BT adapter to interface with P-56RUE, P-58RUE, RS-P25, RS-P26, RS-P28 Printers. Must have enhanced hardware and 2.20 or newer firmware	535
30237797	BT2 Paired Option	BT paired option for wireless connection between X balances and P-56RUE, P-58RUE, RS-P25, RS-P26, RS-P28 printers. Printers need to be current production units that include the DC voltage on Pin 9 of the RS232 interface	980
<b>Cables</b>			
51190362	Connection Cable RS232C		112
504376	RS232 Cable for PC/AT	RS 232C cable, 9-pin female connector, 3 m long	184
503755	RS232 cable/DCE	10 ft RS232 Cable, DIN - DB25	183
51191926	USB Cable (1.8 m A-B) for PC or printer		34
<b>Connection Cables</b>			
229029	RS-232 cable MiniMettler m/m 1.5m		515



# Applied **ASTM** Class 1 and 2

## ASTM Weights

### Unique Design

METTLER TOLEDO ASTM knob weights are designed to resist dust and moisture intrusion, offering a long term stability.

### High Gloss Polish

Experience, combined with special skill acquired through years of weight polishing guarantee the consistent high quality for all customer demands

### Weight Calibration Performed by Robots

Substantial investments in cutting-edge robot technology, combined with decades of experience have opened up a new field in weight calibration.

[www.mt.com/weights](http://www.mt.com/weights)



Material Number	Legacy Number	Description	Nominal Value	List Price (CAD)
<b>ASTM Class 1 Calibrated Weights</b>				
11123469		Weight, 1 MG ASTM 1, plastic case	1mg	149
11123470		Weight, 2MG ASTM 1, plastic case	2mg	149
11123471		Weight, 5MG ASTM 1, plastic case	2mg	149
11123472		Weight, 10MG ASTM 1, plastic case	10mg	149
11123473		Weight, 20MG ASTM 1, plastic case	20mg	149
11123474		Weight, 50MG ASTM 1, plastic case	50mg	149
11123475		Weight, 100MG ASTM 1, plastic case	100mg	149
11123476		Weight, 200MG ASTM 1, plastic case	200mg	149
11123477		Weight, 500MG ASTM 1, plastic case	500mg	149
11123478		Weight, 1G ASTM 1, plastic case	1g	159
11123479		Weight, 2G ASTM 1, plastic case	2g	164
11123480		Weight, 5G ASTM 1, plastic case	5g	168
11123481		Weight, 10G ASTM 1, plastic case	10g	182
11123482		Weight, 20G ASTM 1, plastic case	20g	183
11123483		Weight, 50G ASTM 1, plastic case	50g	188
11123484		Weight, 100G ASTM 1, plastic case	100g	200
11123485		Weight, 200G ASTM 1, plastic case	200g	341
11123486		Weight, 500G ASTM 1, plastic case	500g	423
11123487		Weight, 1KG ASTM 1, plastic case	1kg	825
11123488		Weight, 2KG ASTM 1, plastic case	2kg	1,175
11123489		Weight, 5KG ASTM 1, plastic case	5kg	1,790
11123490		Weight, 10KG ASTM 1, plastic case	10kg	2,870
11123491		Weight, 20KG ASTM 1, plastic case	20kg	4,210



Material Number	Legacy Number	Description	Nominal Value	List Price (CAD)
<b>ASTM Class 1 Non-Calibrated Weights</b>				
11123446		Weight, 1mg ASTM 1, Plastic case	1mg	94
11123447		Weight, 2mg ASTM 1, Plastic case	2mg	94
11123448		Weight, 5mg ASTM 1, Plastic case	2mg	94
11123449		Weight, 10mg ASTM 1, Plastic case	10mg	94
11123450		Weight, 20mg ASTM 1, Plastic case	20mg	94
11123451		Weight, 50mg ASTM 1, Plastic case	50mg	94
11123452		Weight, 100mg ASTM 1, Plastic case	100mg	94
11123453		Weight, 200mg ASTM 1, Plastic case	200mg	94
11123454		Weight, 500mg ASTM 1, Plastic case	500mg	94
11123455		Weight, 1g ASTM 1, Plastic case	1g	96
11123456		Weight, 2g ASTM 1, Plastic case	2g	96
11123457		Weight, 5g ASTM 1, Plastic case	5g	102
11123458		Weight, 10g ASTM 1, Plastic case	10g	106
11123459		Weight, 20g ASTM 1, Plastic case	20g	111
11123460		Weight, 50g ASTM 1, Plastic case	50g	121
11123461		Weight, 100g ASTM 1, Plastic case	100g	136
11123462		Weight, 200g ASTM 1, Plastic case	200g	218
11123463		Weight, 500g ASTM 1, Plastic case	500g	295
11123464		Weight, 1kg ASTM 1, Plastic case	1kg	630
11123465		Weight, 2kg ASTM 1, Plastic case	2kg	985
11123466		Weight, 5kg ASTM 1, Plastic case	5kg	1,475
11123467		Weight, 10kg ASTM 1, Plastic case	10kg	2,720
11123468		Weight, 20kg ASTM 1, Plastic case	20kg	3,980



Material Number	Legacy Number	Description	Nominal Value	List Price (CAD)
<b>ASTM Class 2 Calibrated Weights</b>				
11123515		Weight, 1MG ASTM 2, Plastic case	1mg	134
11123516		Weight, 2MG ASTM 2, Plastic case	2mg	134
11123517		Weight, 5MG ASTM 2, Plastic case	2mg	134
11123518		Weight, 10MG ASTM 2, Plastic case	10mg	134
11123519		Weight, 20MG ASTM 2, Plastic case	20mg	134
11123520		Weight, 50MG ASTM 2, Plastic case	50mg	134
11123521		Weight, 100MG ASTM 2, Plastic case	100mg	134
11123522		Weight, 200MG ASTM 2, Plastic case	200mg	134
11123523		Weight, 500MG ASTM 2, Plastic case	500mg	134
11123524		Weight, 1G ASTM 2, Plastic case	1g	155
11123525		Weight, 2G ASTM 2, Plastic case	2g	159
11123526		Weight, 5G ASTM 2, Plastic case	5g	159
11123527		Weight, 10G ASTM 2, Plastic case	10g	170
11123528		Weight, 20G ASTM 2, Plastic case	20g	176
11123529		Weight, 50G ASTM 2, Plastic case	50g	179
11123530		Weight, 100G ASTM 2, Plastic case	100g	191
11123531		Weight, 200G ASTM 2, Plastic case	200g	334





Material Number	Legacy Number	Description	Nominal Value	List Price (CAD)
<b>ASTM Class 2 Calibrated Weights Continued</b>				
11123532		Weight, 500G ASTM 2, Plastic case	500g	401
11123533		Weight, 1KG ASTM 2, Plastic case	1kg	765
11123534		Weight, 2KG ASTM 2, Plastic case	2kg	1,130
11123535		Weight, 5KG ASTM 2, Plastic case	5kg	1,680
11123536		Weight, 10KG ASTM 2, Plastic case	10kg	2,760
11123537		Weight, 20KG ASTM 2, Plastic case	20kg	3,470



Material Number	Legacy Number	Description	Nominal Value	List Price (CAD)
<b>ASTM Class 2 Non-Calibrated Weights</b>				
11123492		Weight, 1mg 2 Plastic case	1mg	51
11123493		Weight, 2mg 2 Plastic case	2mg	49
11123494		Weight, 5mg 2 Plastic case	2mg	49
11123495		Weight, 10mg 2 Plastic case	10mg	49
11123496		Weight, 20mg 2 Plastic case	20mg	49
11123497		Weight, 50mg 2 Plastic case	50mg	53
11123498		Weight, 100mg 2 Plastic case	100mg	53
11123499		Weight, 200mg 2 Plastic case	200mg	53
11123500		Weight, 500mg 2 Plastic case	500mg	53
11123501		Weight, 1g 2 Plastic case	1g	79
11123502		Weight, 2g 2 Plastic case	2g	86
11123503		Weight, 5g 2 Plastic case	5g	86
11123504		Weight, 10g 2 Plastic case	10g	97
11123505		Weight, 20g 2 Plastic case	20g	97
11123506		Weight, 50g 2 Plastic case	50g	108
11123507		Weight, 100g 2 Plastic case	100g	126
11123508		Weight, 200g 2 Plastic case	200g	187
11123509		Weight, 500g 2 Plastic case	500g	276
11123510		Weight, 1kg 2 Plastic case	1kg	605
11123511		Weight, 2kg 2 Plastic case	2kg	920
11123512		Weight, 5kg 2 Plastic case	5kg	1,425
11123513		Weight, 10kg 2 Plastic case	10kg	2,505
11123514		Weight, 20kg 1 Plastic case	20kg	3,230

# CarePacs

## OIML

### CarePac Line

#### Cost savings

Only what is needed for routine testing, two weights rather than entire weight set. Re-calibration costs for two weights are considerably lower compared to entire weight set.

#### Option for 3rd weight

CarePacs offer option to add a 3rd weight between 1mg and 100 g for customized testing, e.g. determination of minimum weight.

#### Professional accessories

Ergonomic tweezers and weight forks as well as clean-room approved gloves and cleaning cloths meet highest requirements of all industries and assure professional testing.

[www.mt.com/carepacs](http://www.mt.com/carepacs)



Material Number	Legacy Number	Description	Content (set up)	OIML Class	Calibration Certificate	List Price (CAD)
11123007	11123007	CarePac 500g F2 / 20g F1 Cal	500 g F2 / 20 g F1	F1; F2	Yes	815



Material Number	Legacy Number	Description	Content (set up)	OIML Class	Calibration Certificate	List Price (CAD)
			5000 g F2 / 100 g F2			1,635
11123012	11123012	CarePac 5000g F2 / 500g F2 Cal	5000 g F2 / 500 g F2	F2	Yes	1,815



Material Number	Legacy Number	Description	Content (set up)	OIML Class	Calibration Certificate	List Price (CAD)
11123037		CarePac 1000g F2 / 10g F1 Cal	1000 g F2 / 10 g F1			810
11123038		CarePac 2000g F2 / 10g F1 Cal	2000 g F2 / 10 g F1	F1	Yes	1,005
11123036		CarePac 500g F2 / 10g F1 Cal	500 g F2 / 10 g F1			665



Material Number	Legacy Number	Description	Content (set up)	OIML Class	Calibration Certificate	List Price (CAD)
11123002	11123002	CarePac 100g F2 / 5g E2 Cal	100 g F2 / 5 g E2	E2; F2		535
11123001	11123001	CarePac 200g F2 / 10g F1 Cal	200 g F2 / 10 g F1			615
11123000	11123000	CarePac 200g F2 / 20g F1 Cal	200 g F2 / 20 g F1	F1; F2	Yes	615
11123003	11123003	CarePac 50g F2 / 2g E2 Cal	50 g F2 / 2 g E2	E2; F2		535



Material Number	Legacy Number	Description	Content (set up)	OIML Class	Calibration Certificate	List Price (CAD)
11123008	11123008	CarePac 1000g F2 / 50g F2 Cal	1000 g F2 / 50 g F2	F2	Yes	1,073
11123009	11123009	CarePac 2000g F2 / 100g F2 Cal	2000 g F2 / 100 g F2			1,492
11123010	11123010	CarePac 2000g F2 / 200g F2 Cal	2000 g F2 / 200 g F2			1,702



Material Number	Legacy Number	Description	Content (set up)	OIML Class	Calibration Certificate	List Price (CAD)
11123011	11123011	CarePac 5000g F2 / 200g F2 Cal	5000 g F2 / 200 g F2	F2	Yes	2,838

## OIML 3rd Weight

### CarePac Line

#### Cost savings

Only what is needed for routine testing, two weights rather than entire weight set. Re-calibration costs for two weights are considerably lower compared to entire weight set.

#### Option for 3rd weight

CarePacs offer option to add a 3rd weight between 1mg and 100 g for customized testing, e.g. determination of minimum weight.

#### Professional accessories

Ergonomic tweezers and weight forks as well as clean-room approved gloves and cleaning cloths meet highest requirements of all industries and assure professional testing.

[www.mt.com/carepacs](http://www.mt.com/carepacs)



Material Number	Legacy Number	Description	Nominal Value	List Price (CAD)
11123059	11123059	Customized 3rd Weight, 100g Cal	100 g	139
11123056	11123056	Customized 3rd Weight, 10g Cal	10 g	102
11123057	11123057	Customized 3rd Weight, 20g Cal	20 g	102
11123058	11123058	Customized 3rd Weight, 50g Cal	50 g	121
11123055	11123055	Customized 3rd Weight, 5g Cal	5 g	102

# CarePacs

## ASTM

### CarePac Line

#### Cost savings

Use only what is needed for routine testing, two weights rather than an entire weight set. Re-calibration costs for two weights are considerably lower compared to an entire weight set.

#### Option for 3rd weight

CarePacs offer an option to add a 3rd weight between 1mg and 100 g for customized testing, e.g. determination of minimum weight.

#### Professional accessories

Ergonomic tweezers and weight forks, as well as clean-room approved gloves and cleaning cloths meet the highest requirements of all industries and assure professional testing.

[www.mt.com/weights](http://www.mt.com/weights)



Material Number	Legacy Number	Description	Content (set up)	List Price (CAD)
11123130	11123130	CPS, 100G, 100G, ASTM, 1, 1, C	100 g 1 / 100 g 1	466
11123127	11123127	CPS, 100G, 50G, ASTM, 1, 1, C	100 g 1 / 50 g 1	421
11123129	11123129	CPS, 200G, 100G, ASTM, 1, 1, C	200 g 1 / 100 g 1	505
11123126	11123126	CPS, 200G, 50G, ASTM, 1, 1, C	200 g 1 / 50 g 1	466
11123142	11123142	CPL, 5000G, 100G, ASTM, 1, 1, C	5 kg 1 / 100 g 1	1,660
11123128	11123128	CPS, 50G, 50G, ASTM, 1, 1, C	50 g 1 / 50 g 1	421



Material Number	Legacy Number	Description	Content (set up)	List Price (CAD)
11123111	11123111	CPL, 5000G, 200G, ASTM, 4, 4, C	5 kg 4 / 200 g 4	1,815
11123112	11123112	CPL, 5000G, 500G, ASTM, 4, 4, C	5 kg 4 / 500 g 4	1,845



Material Number	Legacy Number	Description	Content (set up)	List Price (CAD)
11123108	11123108	CPM, 1000G, 50G, ASTM, 1, 1, C	1 kg 1 / 50 g	1,015
11123109	11123109	CPM, 2000G, 100G, ASTM, 1, 1, C	2 kg 1 / 100 g 1	1,410
11123110	11123110	CPM, 2000G, 200G, ASTM, 4, 4, C	2 kg 4 / 200 g 4	1,580
11123107	11123107	CPM, 500G, 20G, ASTM, 1, 1, C	500 g 1 / 20 g 1	685



Material Number	Legacy Number	Description	Content (set up)	List Price (CAD)
11123102	11123102	CPS, 100G, 5G, ASTM, 1, 1, C	100 g 1 / 5 g	465
11123101	11123101	CPS, 200G, 10G, ASTM, 1, 1, C	200 g 1 / 10 g 1	545
11123100	11123100	CPS, 200G, 20G, ASTM, 1, 1, C	200 g 1 / 20 g 1	545

## AC adapter protection Accessories

Material Number	Material Description	Order Notes	List Price (CAD)
<b>AC adapter protection</b>			
11132550	Protective cover power supply unit IP54		220

## Accessories

Material Number	Material Description	Order Notes	List Price (CAD)
<b>Accessories</b>			
3930410	4' DIRECT BALANCE ENCLOSURE		9,745
3930310	BALANCE SYSTEM 3' DIRECT		6,775
3950310	BALANCE SYSTEM 3' FILTERED SYS		10,520
63079525	BAR HOLDER HAUG		22
63052494	BAR IONIZER 15 INCH HAUG		765
63080593	BAR IONIZER 15IN W/POWER SUP		2,645
63052495	Bar Ionizer 18 Inch Haug		860
63052492	Bar Ionizer 24 Inch Haug		975
63052493	BAR IONIZER 27 INCH HAUG		1,060
63052496	Bar Ionizer 7 Inch Haug		2,550
63052499	BAR IONIZER 7 INCH W/POWER SUP		2,380
63052497	BAR IONIZER HAUG 25 INCH		1,580
38597	BASE GLASS		call
63052238	BASE FOR U ELECTRODE		309
238167	Beaker density 80mm		156
63079528	BLOCK HALF OPEN HAUG		137
63079527	BLOCK LARGE ANGLE HAUG		259
63053135	Bowl SS 4 Quart		136
11698	BULB		call
63058826	CABLE KEYBOARD QUICKLINK		302
30040321	Cross Tweezers 1mg-500mg 130mm		102
63053973	Damping Element		9
11103834	Demo case AB-S		1,535
214515	Demo case HR/HG		1,090
11101050	DEMOKOFFER		1,535
33360	Density Kit		990
11142143	Density Kit MS-DNY-43		990
63052337	Draft Chamber Kit 17x16x17		483
63080816	ENCL 3' W/HEPA, NO BLOWER		call
63080817	ENCL 4' W/HEPA, NO BLOWER		call
63080718	ENCL-4' SYSTEM TALL RT CHUTE		call
3961502	ENCL-5' SYS,BULK PWDR, RT OPEN		call
3970100	ENCLOSURE 3' W/SEPARATE HEPA		13,020
11106707	ERGOCLIPS SET		650

Material Number	Material Description	Order Notes	List Price (CAD)
<b>Accessories(continued)</b>			
63053440	Ergomat with MT Logo		254
30034474	Expansion unit DO		2,590
3970013	FILTERMATE HEPA & CARBON		6,655
3970011	FILTERMATE USE W/CARBON FILTER		5,265
63053443	Foil Pan 13x3.5mm Box Of 100		63
12122034	Front glass 235mm		57
214528	HA-TCC Temp.- Adjustment Set C		855
63052305	Haug 1 Pt Ionizer no Warning Light		1,900
63052316	Haug 220v Power Supply		1,945
63052301	Haug Brush		34
63052300	Haug Cleaning Solution 1/2l		111
63052299	Haug Cleaning System		335
63052303	Haug Deionizer no Warning Light		2,470
63052302	Haug Deionizer with Warning Light		3,185
63052311	Haug Double U Elec With Holder		5,920
63052982	HAUG MULTISTAT EX AUTO SHUTOFF		5,960
63052304	Haug One Pt Ionizer w/Warning Light		2,780
63052310	Haug Power Supply no Warning Light		1,020
63052309	Haug Power Supply, With Warning Light		1,905
63052317	HAUG STATIC METER		1,770
63052307	Haug U Ionizer		1,505
63052308	Haug U Ionizer No Base		1,645
63079526	HOLDER CLOSED HAUG		89
11132565	HOOK M-L PLATFORM XS-XP P	Hook for weighing below balance for "M", "L", "S"	153
11101338	In-use cover		82
63052306	Ionizer 1 Pt Haug with 6ft Cable		1,170
12102640	JEWELRY OVERLAY FOR JL-C		70
224940	Mains Cable 5.5X2.1/S3POL		112
63053978	Marble Slab (13 X20 X2 Thick)		595
63078116	MARBLE SLAB 24" x 24" x 3"		1,300
63053976	Marble Table 35w X 24l X 31h		4,170
63080727	MARBLE TABLE 35W x 24L x 39H		call
63080729	MARBLE TABLE 36W x 18L x 41H		call
63056283	MARBLE TABLE 4-0 x 2-0 x 31"H		3,430
63053977	Marble Table Export 35W X 24L X 31H		3,615
63078953	MOISTURE JUMP START CLASSIC		885
63078952	MOISTURE JUMP START EXCELLENCE		1,110
30006471	MS-DWP-21		297
30005555	Multi-Tool with METTLER TOLEDO Logo		62
30006166	Op.Instr. Microbal. Filter Kit 70mm (ml)		81
30037744	Pair of Levelling Feet ME		40
11103680	Pan 10mg compl		245
63053137	Paper Roll BP1 (a)		12
12120735	PAPER ROTARY AXIS RS-P26		29

Material Number	Material Description	Order Notes	List Price (CAD)
<b>Accessories(continued)</b>			
73192	POLISHING PASTE		78
44000027	Protective cover terminal PG		call
220899	SB16001/A		5,115
220903	SB32000/A		4,780
63056415	SERIAL TO IP CONVERTOR		630
63080595	SERIAL TO WIFI CONVERTOR		1,160
12102935	SET RECHARGEABLE BATTERY PACK.		45
30061260	SmartPrep Weighing Funnel		127
12120734	SP TOP PAPER COVER RS-P26		71
30064493	Spatula Set Analytical		123
30064490	Spatula Set Micro		123
63052312	SQUARE IONIZER 6IN X 6IN		3,225
63052356	Static Master 2U500 (A)		149
63052314	Static Testing Device		414
63052357	Staticmaster 1U400 (A)		118
63064204	Temp. Cal. Kit Hour/Hg		1,410
11106931	Terminal cable XS XS/XP A		call
30110908	Terminal ext. cable 6P, 4.5m XPE, XSE		349
11132685	Thermometer certified packed		1,230
30099498	TLE Experimental Case (Teacher Kit)		call
12122033	Top glass 235mm		54
11116543	TWEEZERS 1MG-50G (140mm)		44
63052498	U-electrode 18x18x18 Inch		5,140
63052315	UBAR ANTISTATIC DEVICE DELPHI		2,640
21901309	USB Cable 412		132
110501	Weigh Boat Al 4x3x13mm-100 (a)		327
63052330	Weigh Boat Al 7x7x22mm-100 (a)		454
72409	Weffing agent		76
38603	WINDOW		call
11132594	XP DEMO CASE		call
11106867	XS DEMO CASE		call
63058420	ZEBRA PRINTER SERIAL USB IP		1,020

## Connection Cables

Material Number	Material Description	Order Notes	List Price (CAD)
<b>Connection Cables</b>			
21900921	Cable LV11-SQC14-AX		450
11600517	Cable prolongation terminal PS/2 4.5m	Longer terminal cable PS/2 4.5M	139
11101052	Cable RS9-RS25 (M/F) 2m	3' RS232 cable, DB9 - DB25 (requires male gender changer)	120
11101051	Cable RS9-RS9 (M/F) 1m	RS232 cable m/f, length 1m	119
11103691	Cable USB/RS232		236
64088427	CABLE,USB TO RS232 CONVERTER,FTDI		177
229029	RS-232 cable MiniMettler m/m 1.5m		510
210493	RS-232 cable MiniMettler9pin female		249
12130716	USB cable 1m		107

## Data Interfaces Options

Material Number	Material Description	Order Notes	Shipping Weight	List Price (CAD)
<b>Data Interfaces Options</b>				
11132515	Option Ethernet	EtherNet Interface for connection to ethernet network	5 lb	570
11132510	OPTION MINIMETTLER	MiniMettler for connection to older systems		323
11132520	OPTION PS/2	PS/2 Interface for connecting commercial keypad and barcode readers		340
11132500	OPTION RS232	RS232 interface for connection of a printer, computer or titrator	5 lb	293



## Density Determination

Material Number	Material Description	Order Notes	List Price (CAD)
<b>Density Determination</b>			
11106706	Density Kit	Density Kit for XP/XS Analytical Balances	1,405
30029886	Density kit 4 Alli	Density Kit ME	1,040
11142144	Density Kit ML-DNY-43	Density Kit ML	830
30004077	Density Kit MS-DNY-54	Density Kit MS	1,095
11132680	Density kit XP-S XS-S 0.1mg, 1mg		1,265
210260	Sinker 10 cm3		1,015
210672	Sinker calibrated packed C		1,435
210674	Sinker recertified		635
51337223	WASTE TUBE M8		296

## Draft Shields

Material Number	Material Description	Order Notes	List Price (CAD)
<b>Draft Shields</b>			
30037739	Boltom Plate DS ME		243
11131650	Draft shield 1/.1mg, 175mm		570
12122420	Draft shield flexi, height 100 mm		925
63052324	Draft Shield Kit 25 X18 X25 A		560
12105346	DRAFT SHIELD PL303		530
11131652	Draft shield plastic XP XS		1,725
11116043	Draft shield XP W5		2,075
11134470	Draft shield XP W64		4,950
11131653	Draft shield XP XS		955
11134430	Draft shield XP-S,XS-S,XA-S W12		2,135
11131651	Draftshield 0,1mg packed		1,305
11103683	Draftshield 1mg packed		585
11103682	Draftshield 250mm packed		630
11137468	Draftshield Jewelry 165mm packed		660
30037732	Glass Door Side High DS ME		122
30042885	Glass Door Side Low DS ME		106
30037733	Glass Door Top High DS ME		78
12121015	ML-DS-21		447
12121014	MS-DS-21		575
30037736	PAIR OF HANDLES DS ME		151
12102988	PL-S Draft shield		293
12122404	Set DS High		895
30037731	Set DS High ME		705
12122405	Set DS Low		795
30042884	Set DS Low ME		655
11141760	Side door ErgoDisc QB systems		615
12121880	SIDE GLASS LEFT HIGH WITH HANDLE		69
12121881	SIDE GLASS LEFT LOW WITH HANDLE		94
12121882	SIDE GLASS RIGHT HIGH WITH HANDLE		68
12121883	SIDE GLASS RIGHT LOW WITH HANDLE		94
12102642	SQUARE DRAFT SHIELD FOR JL-503-C5		311
12102641	SQUARE DRAFT SHIELD FOR JL-C		268
12121884	TOP GLASS WITH HANDLE		104
30042897	WIND RING 180X180 ME		29
12122043	Wind Ring D90 ML		71
12121016	XP-DS-21		620

## Protective Covers

Material Number	Material Description	Order Notes	List Price (CAD)
<b>Protective Covers</b>			
230018	*Protective Covers, Set*		91
12121027	Glas Draft Shield 230 x 230 mm		call
12121853	IN USE COVER 1 HOLE LARGE		153
12121850	In use cover 1 hole small		71
12121852	In use cover 4 holes large		143
12121851	In use cover 4 holes small		113
12102970	IN USE COVER AL/PL		104
11101643	In-use cover 1/0,1g		86
12102587	IN-USE COVER FOR BALANCE		86
12122031	In-Use cover ML (4 Holes)		74
12122032	In-Use cover ML 1 Hole		55
12122030	In-Use cover ML DS		55
12102980	IN-USE COVER PL-S COMPACT		92
11100830	In-use cover terminal		90
11135408	Protective Cover AB-S		61
30037742	Protective Cover ANA ME		48
30042890	PROTECTIVE COVER BAL W/O DS		48
11133034	Protective cover bridge XP-S XS-S XA-S		104
11132572	Protective cover M B XS T XS		150
11132574	Protective cover M XP		112
30006615	Protective Cover MS Semi-Micro		56
11103681	Protective Cover packed		63
11132573	Protective cover terminal XS L XS P		137
11132570	Protective cover terminal XP		88
11132571	Protective cover terminal XS T XS		119
11106870	Protective cover XS/XS		73

## Switches, Hand/Foot Operations

Material Number	Material Description	Order Notes	List Price (CAD)
<b>Switches, Hand/Foot Operations</b>			
11106741	Foot switch XS/XP		498
229060	LC-FS		655
229220	LC-SWITCHBOX		479
11132601	Optical sensor ErgoSens XP XS		390

## Transport cases

Material Number	Material Description	Order Notes	List Price (CAD)
<b>Transport cases</b>			
12102982	Carrying case PL-S		505
30046404	Demo box H DS Alli		995
30046405	Demo box L DS Alli		890
30046406	Demo box w/o DS Alli		780
11124245	Demo case MS		1,460
30006317	Demo Case MS Semi-Micro		1,290
11106729	Demo case XP		1,590
11132595	Demo case XP XS		1,030
11106869	DEMO CASE XS/XP ANALYTICAL		1,130
11124240	Transport Case ML Precision		call

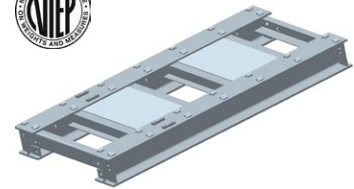
## Weighing pans

Material Number	Material Description	Order Notes	List Price (CAD)
<b>Weighing pans</b>			
12102987	PAN 120 MM SET	Glass cylinder draft shield for weighing pan Ø 120 mm Art. 12102988	201
30042889	PAN W/PAN SUPPORT 120MM ME		231
30042895	PAN W/PAN SUPPORT 180X180 ME		192
30037737	Pan with Pan Support 90mm ME		243
30042896	WEIGH PAN 160MM, PAN SUPPORT	Pan Ø 160 mm with pan support for 0.01g balance with draft shield 30042884	64
12122037	Weighing pan 1mg		65
12102576	Weighing Pan 80mm		106
12122010	WEIGHING PAN D90		43
225165	Weighing pan small R/G		255
11132660	Weighing pan XP-S XS-S XA-S		335
11132625	Weighing pan XP-S,XS-S MPS 0.1/1g		397
11132626	Weighing pan XP-S,XS-S MPS 10mg		397
11132655	Weighing pan XP-S,XS-S,XA-S 0.1g		335

Consultative

# VRS241

## Steel Deck Rail Scale



### Standard with POWERCELL® PDX®

#### Approvals

NTEP COC 90-001A1  
 Hazardous Area Protection Class I,II,III, Div 2 Groups C,D,F,G with IND780

#### Standard Features

Ten year warranty with Strikeshield Lightning Protection System  
 50 ton POWERCELL PDX load cells and cables  
 Pandrol e-Clip rail mounting system ready to receive 115# AREA rail. Shoulders and clips included  
 Anti-creep brackets for scale weighbridge, approach and center slab (if applicable) rails at the foundation end walls  
 Installation KOP, adjustable checking system, safety stands  
 Weighbridge module(s) designed for Cooper E80 loading  
 20m interconnecting cable for multiple scales  
 AREMA hardened railroad receivers

#### Options

Cooper E100 loading  
 90t (200K) POWERCELL PDX available if required  
 115 lb rail size standard, other rail sizes available, specify size and classification when ordering.  
 Bolt on Clips  
 Concrete Deck Available  
 Galvanized  
 POWERCELL MTX for Div. 1



#### Notes

Prices do not include Indicator, printer, tickets, deck rebar, deck sheeting, foundation coping, foundation reinforcing steel, approach embedded hardware, home run cable, freight or installation. Indicate governing railroad when ordering.

### VRS241 with Pandrol e-Clip Rail Fastening System

Order Number	Legacy Reference Number	Module Combos	Capacity (T) Total	Capacity (T) Section	Quantity Load Cells	Quantity Modules	Shipping Weight	List Price (CAD)
61045223	VRS241-P01PSA1	12.5'	85	85	4	1	6,000	40,770
61045224	VRS241-P02PSA1	25'	170		6	2	11,000	70,700
61045225	VRS241-P11PSA1	12.5'/12.5'			8	2	12,000	80,900
61045226	VRS241-P22PSA1	25'/25'			12	4	18,000	136,900
61045227	VRS241-P12PSA1	12.5'/25'			10	3	21,000	106,900

Call for quote on additional sizes

### Foundation Steel (Required with each VRS241)

Order Number	Legacy Reference Number		List Price (CAD)
61045234	TC208766-1	Foundation Steel Single Module	(Needed for each 12.5' single) 10,730
61045233	TC208767-1	Foundation Steel Double Module	(Needed for each 25' double) 14,940
30077956	TC208766-2	Foundation Steel VRS241	(Needed for 12.5' CIM) 10,780

**VRS241** – **P** **01** **P** **S** **A** **1**  
 Scale Type Fastener Type (P,B) Size (01,02,11,12,22) Load Cell (P) Deck Type (S,I,C) Pit Style (A,B) Rail Size (1,2,3)

Fasteners: **P** = Pandrol, **B** = Bolt and Clips  
 Size: **01** = 12.5', **02** = 25', **11** = 12.5'/12.5', **12** = 12.5'/25', **22** = 25'/25'  
 Load Cell: **P** = 50t, PDX HB44 C3  
 Deck Type: **S** = Static Scale, Removeable Tread, **I** = Coupled in Motion, **C** = Concrete Deck  
 Pit Style: **A** = Seperate Pits, **B** = Common Pit  
 Rail Size: **1** = 112lb, 115lb, 199lb AREA, **2** = 85lb ASCE, 90lb ARA-A, **3** = 131lb, 132lb, 136lb, 140lb AREA

## Coupled In-Motion<sup>1</sup> VRS241E with Pandrol e-Clip Rail Fastening System

Order Number	Legacy Reference Number	Module Combos	Capacity (T) Total	Capacity (T) Section	Quantity Load Cells	Quantity Modules	Shipping Weight	List Price (CAD)
61045247	VRS241-P01PIA1	12.5'	85	85	4	1	6000	41,970

## 7260-3000 Rail Scale - Hazardous Area Division 1 Solution

Division 1 Hazardous area solutions require POWERCELL MTX with barriers. Call for custom solution

<sup>1</sup> Add an in-motion rail car controller (IND9R86)

## VRS241 Options

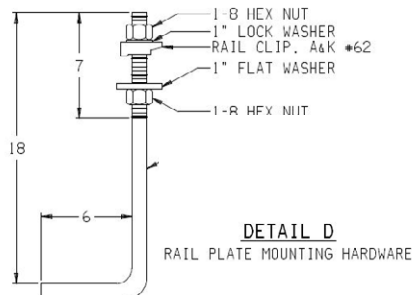
Order Number	Legacy Reference Number	Description	List Price (CAD)
*	Engineer-to-Order	Bolt on Clips (Pandrol is standard and free) Price Adder per 12.5' module	770
*	Engineer-to-Order	Concrete Deck (Steel Deck is standard) Price Adder per 12.5' module	3,060

An ETO quote is required for custom foundation.

## VRS241 RailRoad Approach Packs (To supply each approach or slab)

Order Number	Description	List Price (CAD)
30293399	25' Approach Pack 115 lb. Rail	4,110
30293410	25' Approach Pack 131-140lb. Rail	4,110
30293411	75' Approach Pack 115 lb. Rail	11,985
30293412	75' Approach Pack 131-140 lb. Rail	11,985
30293413	Intermediate Slab 20' 115 lb. Rail	3,140
30293414	Intermediate Slab 20' 131-140lb. Rail	3,140
30293415	Intermediate Slab 30' 115 lb. Rail	4,830
30293416	Intermediate Slab 30' 131-140lb. Rail	4,830
30293417	Intermediate Slab 40' 115 lb. Rail	7,000
30293418	Intermediate Slab 40' 131-140 lb. Rail	7,000
Call	Galvanized Plates	Priced per pack

Rail plate in the Approach Pack requires either a 115lb rail or 131-140lb rail.



Consultative

# 7360 Combo Combination Rail/Truck Scale



## One Scale, All Your Weighing Needs

### Approvals

NTEP COC 94-013A3, Measurement Canada approval #AM-4901  
Hazardous Area Protection Class I, II, & III, Division 1 & 2, Groups C, D, E, F, & G, Temperature Code: T4

### Standard Features

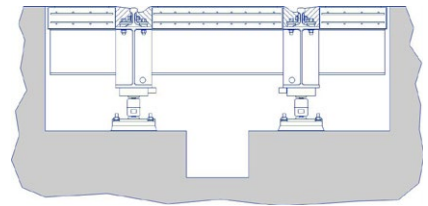
45 † POWERCELL MTX load cells, j-boxes, and load cell cables or  
50 † POWERCELL PDX load cells, and load cell cables  
Two (2) manholes  
Main beams are ready to receive 115# AREA Rail (rail clips and bolts are NOT included)  
Installation KOP, safety stands, (load-cell mounting plates and embeds)  
For Hazardous Area-intrinsic safe barrier box(es) and external power supply  
Concrete ready weighbridge module(s) designed for Cooper E80 loading  
Vehicle Scale is 60,000 lb Dual Tandem rated.  
Deck Channel for Field Assembly  
One set of Installation and service manuals and one set of foundation prints  
Anti-creep brackets for scale weighbridge and approach rails at the foundation end walls

### Options

Other scale lengths.  
50t or 90t POWERCELL PDX available.  
Rail clips and bolts for rail mounting.  
Pandrol e-Clip rail mounting.  
Steel platforms for truck or pedestrian traffic available.  
115 lb rail size standard, other rail sizes available, specify size and classification when ordering.  
Galvanized steel or 3 part harsh paint finish available.

### Notes

Prices do not include Indicator, printer, tickets, deck rebar, deck sheeting, foundation coping, foundation reinforcing steel, approach embedded hardware, home run cable, freight or installation. Review Layout for additional hardware required: clips, bolts, anti-creep, etc.



7360 Cross Section

### 7360 Combination Rail/Truck Scale

Order Number	Legacy Reference Number	Size	Load Cells	Qty Mods	Capacity (T) Total	Capacity (T) Section	Shipping Weight	List Price (CAD)
61806972	Engineer to Order	60' x 10'	12	3	170	85	31,000 lb	130,475
61806972	Engineer to Order	75' x 10'	14				38,500 lb	148,695

### Foundation Steel (Required with each 7360 Combo)

Order Number	Legacy Reference Number		List Price (CAD)
61806973	Engineer to Order	Foundation Steel needed for 60' scale	16,495
61806973	Engineer to Order	Foundation Steel needed for 75' scale	19,420

### 7360 RailRoad Approach Packs

Order Number	Description		List Price (CAD)
30293399	25' Approach Pack 115 lb. Rail	The needed quantities of the following parts for the description being installed:	4,110
30293410	25' Approach Pack 131-140lb. Rail		4,110

Rail plate in the Approach Pack requires either a 115lb rail or 131-140lb rail.

**IND9R86 In-Motion  
Rail Car Controller**

Consultative



**Fully Automated and Unattended In-Motion Weighing**

**Features**

PC-based weighing controller with Windows® based software application  
 Fully automated and unattended dynamic in-motion weighing of coupled cars at speeds 0 - 5 mph (NTEP)  
 Includes Scale terminal, Industrial PC, and wheel detector interface for automatic detection of trains and train speed  
 "Dual draft" weighing each set of axles weighed individually, then summed, is standard  
 Car identification from RFID tag is integrated in weighing record  
 Store/print information from any length of train, with storage for hundreds of trains

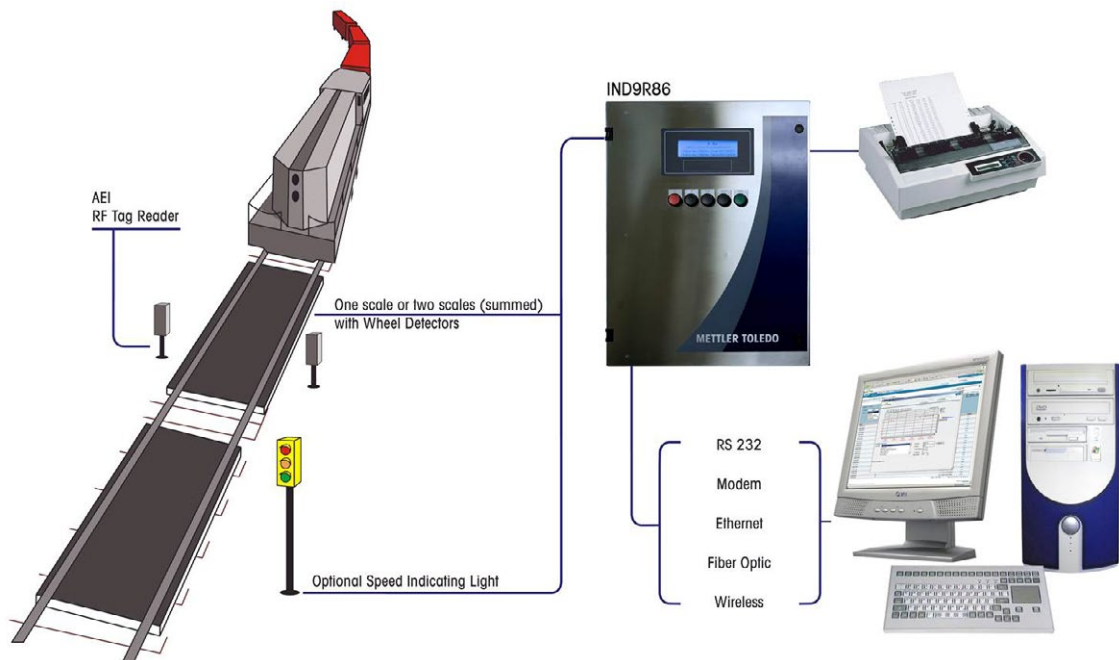
**Options**

"Single draft" weighing using two platforms for unstable loads, such as liquids, is possible. Contact CS&S for details  
 Variety of network and peripheral device connectivity options are available

**IND9R86 - Standard Configuration**

Order Number	Description, SCK Number	Display Type	List Price (CAD)
30454180	IND9R86 CIM Controller - 8651082430011	No Display	52,300
30453087	IND9R86 CIM Controller - 8651282430011	PC LCD Display	57,300

**Contact Advanced Solutions Group for quotes**





**Variant Configurator (VC) options for the IND9R86 are available via the Advanced Solution Group**

Base model		
8	6	5
<b>Wheel Detector Interface</b>		
0 No WD interface		
1 Interface up to 8 Wheel Detectors		
2 Interface up to 16 Wheel Detectors		
<b>Display Type</b>		
0 None installed (via optional external LCD monitor)		
1 Monochrome backlit 240 x 64 pixel graphic display		
2 PC LCD Display 800x600 (12.1" color)		
<b>Scale Interface</b>		
0 no scale terminal		
2 IND780 Single Analog		
4 IND780 single/dual Powercell scale		
5 IND780 single/dual Powercell scale, Ethernet/IP		
7 IND780 single/dual PDX scale		
8 IND780 single/dual PDX scale, Ethernet IP		
<b>AEI Interface</b>		
0 None		
2 Optically Isolated Interface to 2 x RS232 AEI Reader		
4 Optically Isolated Interface to 2 x RS422/485 AEI Reader		
<b>Wheel Detectors</b>		
0 None		
4 2 Dual Wheel Detectors		
8 4 Dual Wheel Detectors		
A 6 Dual Wheel Detectors		
B 8 Dual Wheel Detectors		
<b>I/O</b>		
0 No I/O		
1 1 solid state relay output, 5A, 12-240VAC (Overcapacity)		
3 3 SSR outputs, 5A, 12-240VAC (Speed 1, Speed 2, Scale Ready)		
4 4 SSR outputs, 5A, 12-240VAC (Speed 1, Speed 2, Speed 3, Overcapacity)		
A 8 SSR outputs, 4 SSR Inputs, 12-35Vdc (PLC Logic Interface)		
<b>PC Operating System</b>		
0 Windows 7 64 bit OEM		
1 Windows 10 64 bit OEM		
<b>Hazardous Location for scale</b>		
0 Non Haz Location		
1 Haz location - Consult Factory		
<b>Software Options</b>		
00 Standard CIM		
11 Rollback Detection and Recovery Software		
21 Dual Platform Software		
01-99 Custom Hardware or Software		

Two dual wheel detector modules are required for normal weighing  
 Additional modules are required if pre-speed detection is required.

# Accessories

## Railroad Scales

### Railroad Scale Accessories – Ordering Information

Order Number	Legacy Reference Number	Description	List Price (CAD)
64056504	64056504	Cable, shielded, 2 Conductor, 20 AWG (per foot)	7
64041546	90429300A	Stainless Steel junction box for 4 wheel detectors	1,950
64050304	90429400A	Stainless Steel junction box for 2 wheel detectors	1,915
64087813		Wireless Ethernet Kit 802.11 b/g/Super G (one node)	1,155
64089879	91063900A	Wireless Communication Kit, factory install into IND9R86Kit	2,125
64060163	91175500A	Wheel Detector with Bracket for Single Wheel Detector	2,970
Call	90808800D	On Line UPS, 1000VA, 800W, 115VAC	call
64065176	91223500A	On Line UPS, 1000VA, 800W, 230VAC	call
64065177	91022700A	LCD Flat Screen Monitor, 17"	865
64052037	909086104	Smart Pass, high power AEI reader for half & full frame tags, RS232/Wiegand	10,910
64050490	909089110	Transcore full-frame, metal mount transportation tag, beam	148
64069335	91224100A	STC Dual Antenna AEI Equipment, 100' cable, RS232 (U.S. Only)	27,570
64050169	90893100A	6' Pole mount kit for AEI reader	1,375
64066897	91304500A*	Radio Talk Over speed interface Assembly with Remote Start Weigh*	1,240
Call		PLC Option - software program to send in-motion weight to PLC	call
30135251	91249100A	Remote display with pushbutton, Type 4 housing	call
30082932		Dual Wheel Detector Module, rail mounted, 20m cable and mounting hardware	8,850
30090474		Wheel Detector Interface Barrier	1,625
64089721	64083883	Wheel Detector Calibration Kit	385
64083833	64083833	Wheel Detector Calibration Tester	2,640
64065170		On-Line UPS, 1000VA, 800W, 115VAC	2,525
30243719		On-Line UPS, 1000VA, 800W, 230VAC	2,675
64051453		5 foot cable w/ connector for SmartPass AEI Reader to Jbox	259
64069679		Pole mount Stainless Junction Box for SmartPass cables or WD cables	920
64064834		20 ga. Data cable, outdoor, 6 conductor, AEI (SmartPass power+data) per meter	8
68003109		22 ga. cable, 8 cond, WD home run. (IND9R86 > 20m to scale platform) per meter	14
64089951		6' pole for AEI reader (3in diameter aluminum)	1,580
64070356		Red - Yellow - Green Traffic Light (LED) 8 inch dia.	1,875
30325185		R/Y/G Traffic Light, with mounting Kit	2,100
64051134		Bracket Pole / Wall mount for SmartPass Reader	267

\* This kit provides the ability to configure over speed alarms so that audible message, such as "over speed" are sent via a customer provided radio base station to a portable hand held radio receiver in the train engine. Additionally, allows the hand held radio to trigger an input that places the IND9R86 in the weighing mode. This allows the operator to remotely enable the system for weighing mode, thereby only weighing trains that need to be weighed. This prevents train reports from being generated for trains that cross the scale and are not of interest.

\*\* Contact ASG for pricing

# Reference Tables

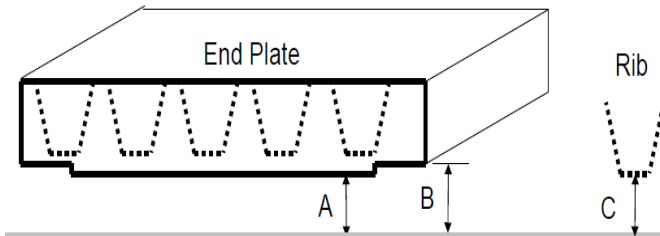
## Weighbridge

### Vehicle Scale Model Reference (listed in order of price book)

	Model	CLC	Profile	Optional Widths*	Standard Module Lengths
<b>STEEL</b>	VTS23X	100,000	14.5"	9'10", 11'10", 14'	10', 15', 17.5', 20', 23'4"
	VTS10X	80,000	17"	11'10"	10', 15', 17.5', 20', 23'4"
	7560SD	60,000	11.5"	11'10"	10', 15', 17.5'
	7563	100,000**	17"	9'9.5", 9'11", 11'10"	10', 15', 17.5', 20'
	7566	130,000***	29.88"	None Available	15', 17.5', 20'
<b>CONCRETE</b>	VTC22X	100,000	14.5"	9'10", 12'	15', 17.5', 20', 23'4"
	VTC10X	80,000	20"	12'	10', 15', 17.5', 20', 23'4"
	VTC19X	80,000	14.5"	9'10", 12'	17.5', 20'
	7560CD	60,000	11.5"	11'10"	10', 15', 17.5'
	7531	Varies - Call	19.5"	11', 12'	10', 12', 20', 25'
	7541	Varies - Call	Varies	None Available	10', 12', 20', 25'

\* CLC rating may change for non-standard widths; consult price pages for individual models or Vehicle Marketing for additional details.  
 \*\* 7563 Side-by-Side are 160,000 CLC  
 \*\*\* 7566 Side-by-Side are 250,000 CLC

### Vehicle Scale Module Clearances Diagram



Model	End Plate Clearance (middle) A	End Plate Clearance (ends) B	Bottom of the Rib to Foundation Clearance C	Bottom of the Rib to foundation clearance with 3" Risers	Bottom of the Rib to foundation clearance with 6" Risers
VTS23X	1.4375"	2.9375"	3" Minimum	6" Minimum	9" Minimum
7562*	1.4375"	2.9375"	3" Minimum	6" Minimum	9" Minimum
VTS10X	4.9375"	9.1875"	5.5" Minimum	8.5" Minimum	11.5" Minimum
7560SD	2.4375"	2.4375"	3" Minimum	6" Minimum	9" Minimum
VTC22X	1.75"	3.25"	4" Minimum	7" Minimum	10" Minimum
VTC10X	8"	9.5"	10" Minimum	13" Minimum	16" Minimum
VTC19X	3.25"	3.25"	3.25" Minimum	6.25" Minimum	9.25" Minimum
7560CD	2.875"	2.875"	3" Minimum	6" Minimum	9" Minimum

**Vehicle Scale Customization Adders by Model**

prices listed are non-standard make to order for new scales only

Feature	Abbreviation	List Price	STEEL					CONCRETE						
			VTS23X	VTS10X	7560 SD	7563	7566	VTC22X	VTC10X	VTC19X	7560 CD	7531	7541	
9' 9½" Width	995	\$0				•								
9' 10" Width	W	\$0	•	s	s			•	s		•			
9' 11" Width	911	\$0				•								
10' Width	10	\$0	s		•	s		s	•	s	s	s	s	s
11' Width	11	\$0	s	s	s	s		s	s	s	s	s	s	•
11' 10" Width	Y	\$775**	•			•	s						c	
11' 10" Width	Y	\$1,675**		•	•									
12' Width	12	\$1,100**						•	•		•	c	c	
14' Width	14	\$6,690**	•			s						c	c	
16' Width (side by side)	16 ~	Call**				•								
20' Width (side by side)	20	Call**					s							
Larger 24" x 24" SD Manhole	LM	\$1,380	•											
3/8" Steel Tread Plate Deck	38D ~	\$4.60 /sqft	•	•	•	c	s							
½" Steel Tread Plate Deck	5D ~	\$17.80/sqft	•	•	•	•	•							
3/8" Wear Plates	WP	\$40/sqft	•	•	•	•	•							
Hot Dipped Galvanized Module	G	\$6,800**						•	•	s				
Hot Dipped Galvanized Module	G	\$11,000**	•	•										
Hot Dipped Galvanized Module	G	\$3,200**										•		
Dump Through/Grain Dump	GD	Call	•					•						•
Center Bumper Checking	CB ~	Call	•		•	•		•		•	•	•	•	•
1 Manhole (@ end of mod)	1M ~	\$1,020	•	•	•	•		•	•		•			s
2 Manholes (@ end of mod)	2M ~	\$2,025	•	•	•	•		•	•		•			s
POWERCELL MTX Div 1 adder		Call	•	c	•	•	•	•			•	•	•	
Service Base Plate	SB	\$85*	•	•	•	•	•	•	•	•	•			
1½" Riser Base Plate	1.5R	\$325*	•	•	•	•	•	•	•	•	•	•	•	•
3" Riser Base Plate	3R	\$365*	•	•	•	•	•	•	•	•	•	•	•	•
6" Riser Base Plate	6R	\$410*	•	•	•	•	•	•	•	•	•	•	•	•
Galvanized Base Plate	GBP	\$70*	•	•	•	•	•	•	•	•	•	•	•	•
Dolly Pads – Set of 2 – 4' x 6'	DP	\$3,850	•	•	•	•	•	•	•	•	•	•	•	•
304 SS Baseplate	SSBP	\$545*	•	•	•	•	•	•	•	•	•	•	•	•
304 SS Anchor	SSA	\$27/anchor	•	•	•	•	•	•	•	•	•	•	•	•
3 Part Harsh Paint	3PNT ~	\$2,130**	•	•	•	•	•	•	•	•	•	•	•	•
Shorten length of one module		\$0	•	•	•	•	•	•	•	•	•	•	•	•
Additional length cut		\$760**	•	•	•	•	•	•	•	•	•	•	•	•

\* Price per load cell

\*\* Price per module

s - Standard option (no added cost)

c - Call Application Support for options and pricing

16 - Two 7' wide scales side by side with 2' dead space between

38D/5D - 5/16" is standard and these tread plate options replace the standard deck thickness

1M - Steel Deck uses 20" x 20" square; Concrete Deck uses 24" round manholes

CB - center bumping required: 1 when scale length is 120' or greater. 2 needed at 180' and 3 needed at 240'

3PNT - 3 Coat Zinc/Epoxy/Polyurethane Paint recommended for harsh/corrosive environments per ISO 12944

Possible Variant Configurator (VC) scale options for the following models

Base model							
V	T	S	2	3	1	Vehicle Scale VTS231	
V	T	S	2	3	0	Vehicle Scale VTS230	
V	T	C	2	2	1	Vehicle Scale VTC221	
V	T	C	2	2	0	Vehicle Scale VTC220	
V	T	S	1	0	1	Vehicle Scale VTS101	
V	T	S	1	0	0	Vehicle Scale VTS100	
V	T	C	1	0	1	Vehicle Scale VTC101	
V	T	C	1	0	0	Vehicle Scale VTC100	
7	5	6	0	S	D	Vehicle Scale 7560SD	
7	5	6	0	C	D	Vehicle Scale 7560CD	
Length							
0	1	0				10' Long	
0	1	5				15' Long	
0	1	7				17' Long	
0	2	0				20' Long	
0	2	3				23' Long	
0	3	0				30' Long	
0	3	5				35' Long	
0	4	0				40' Long	
0	4	7				47' Long	
0	6	0				60' Long	
0	7	0				70' Long (3 Module)	
4	M	7				70' Long (4 Module)	
0	8	0				80' Long	
0	9	0				90' Long	
1	0	0				100' Long	
1	1	0				110' Long	
1	2	0				120' Long	
Width							
0						10' Wide	
1						11' Wide	
2						12' Wide	
W						9'10" Wide	
Y						11'10" Wide	
Load Cell Type							
P	D					50t PDX	
D	D					30t GDD	
Manhole							
		0				None	
		1				1 Manhole	
		2				2 Manholes	
Side Rail							
		0				None	
		S				Side Rails Complete	
		B				Side Rail Brackets on Modules	
		N				Side Rails without Tube	
Baseplate							
		R				Standard baseplates	
		S				Service Baseplates	
		1				1.5" Riser	
		3				3" Riser	
		6				6" Riser	
Lightning Protection							
		0				None	
		1				N America(120V)≥100m HR Cable	
		2				Export (240V) ≥ 100m HR Cable	
		3				N America(120V)<100m HR Cable	
		4				Export (240V) < 100m HR Cable	
V	T					D	
Base Model			Length	Width	Lod Cell Type	Manhole	
Side Rail			Baseplate	Lightning Protection			

See Vehicle Scale Customization Adders Chart for available widths per VC model and other non-standard options available per model. Please contact Application Support for a non-standard make to order quote at [ind-customquote-requests@mt.com](mailto:ind-customquote-requests@mt.com) or call (614) 985-5296; option 1.

## Load Cell Options

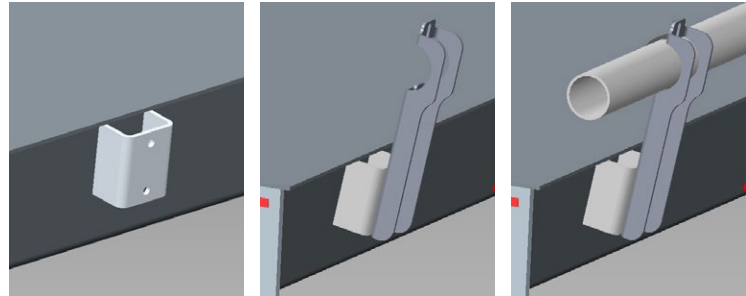


Load Cell	0782 Analog	POWERCELL® GDD®	POWERCELL® MTX®	POWERCELL® PDX®
Material	Canister: 304 Stainless Steel Load element: 420 stainless steel	Canister: 304 stainless steel Load element: 420 stainless steel	Canister: 304 stainless steel Load element: 17-4 PH stainless steel	Canister: 304 stainless steel Load element: 17-4 PH stainless steel
Weights & Measures Approval	OIML C3, C4; HB44 10K IIL-M	OIML C3; HB44 10K IIL-M	OIML C3, C4, C5, C6; HB44 10K IIL-M	OIML C3, C4, C5, C6 (30mt only); HB44 10K IIL-M
IP Protection	IP68/IP69K Hermetically Sealed (J-box IP65/NEMA 4x)	IP68/IP69K Hermetically Sealed (J-box IP65/NEMA 4x)	IP68/IP69K Hermetically Sealed (J-box IP65/NEMA 4x)	IP68/IP69K Hermetically Sealed and fully submersible
Cable	Attached, 13m, Single shield, 26 AWG,	Attached, 13m Stainless Steel Armored Cable, Triple Shield, 24 AWG, Glass-to-Metal Seal	Detachable, Stainless Steel Armored Cable, Triple Shield, 20 AWG Glass-to-Metal Seal	Detachable, Stainless Steel Armored Cable, Triple Shield, 20 AWG (IP69K seal) Glass-to-Metal Seal
Junction Box	Required – Manual J-box trim adjustment for each Load Cell	Required, Trim adjustment not required due to digital terminal selection (Network Connection)	Required, Trim adjustment not required due to digital terminal selection (Network Connection)	No Junction Box Required
Network Topology	Star – local area network hub	Star – local area network hub	Star – local area network hub	Daisy Chain
Network Protocol LC	0-30mV Analog summed signal	CANBus - Digitally addressed advanced diagnostics	BITBUS - Digital signals	CANBus - Digitally Addressed advanced diagnostics
Active Compensation	No	Yes	Yes	Yes
Other Diagnostic Features	None	Individual Load Cell Outputs Temperature (IND560/IND780 only) Overload Supply Voltage Signal Voltage	Individual Load Cell Outputs	Breach Detection Individual Load Cell Outputs Temperature (IND560/IND780 only) Overload Supply Voltage Signal Voltage
Lightning Protection (IND780 example)	Not Rated. Optional lightning kit available	29,000 Amps (lab tested)	10,000 Amps (lab tested)	80,000 Amps (lab tested)
Hazardous Area Approvals	Div 1, ATEX/IECEx Zone 1/21 Approved (dual barrier required)	None	CL I, II, III Div.1 & 2 (dual barrier required)	CL I, II, III Div. 2 (IND780 only) no barrier required
Terminal(s)	IND246, IND570, IND780	IND246, IND560, IND780 with POWERCELL Option	IND780 with POWERCELL Option	IND246, IND560, IND780 with POWERCELL Option
Warranty	2 Years	5 Years	5 Years	10 Years

### Vehicle Scale Side-Rail Pricing Chart

When ordered as part of new scale configuration.

Other side rail options can be found on page 435



Total Scale Length	Qty Mods	Module Length(s)	Brackets (CAD)	Rail - no pipe (CAD)	Complete (CAD)
10'	1	10'	445	1,195	1,495
15'		15'	445	1,205	1,595
17.5'		17.5'	445	1,205	1,645
20'		20'	445	1,205	1,705
23'		23'4"	445	1,355	2,045
30'	2	15'	890	2,410	3,190
35'		17.5'	890	2,410	3,290
40'		20'	890	2,410	3,410
47'		23'4"	890	2,710	4,090
60'	3	20'	1,335	3,615	5,115
70'		23'4"	1,335	4,065	6,135
70'	4	17'5"	1,780	4,820	6,580
80'		20'	1,780	4,820	6,820
90'		3-23'4" and 1-20'	1,780	5,270	7,840
100'	5	20'	2,225	6,025	8,525
110'		2-20' and 3- 23'4"	2,225	6,475	9,545
120'	6	20'	2,670	7,230	10,230

### Vehicle Scale Lightning Protection Options (LPO)

Included as part of a new scale order

Material Description	Order Notes	Terminal Option(s)
N America(120V)≥100m HR Cable	1G Standard plug surge protector with power supply for 14 or more LC	IND780 POWERCELL
Export (240V) ≥ 100m HR Cable	2G Hard Wired surge protector with power supply for 14 or more LC	
N America(120V)<100m HR Cable	3G Standard plug surge protector without power supply for 12 LC or less	Either an IND246, 560, or 780 with POWERCELL
Export (240V) < 100m HR Cable	4G Hard Wired surge protector without power supply for 12 LC or less	

**The Lightning Protection Kit is included at no charge in POWERCELL scales. The two most common selections are (3G) 120 volt with ground rod (up to 12 load cells) and (1G) 120 volt with ground rod and external power supply (14 or more load cells). Application Support should be contacted for LPO required when load cell count is greater than 14 or it's a hazardous application (product options after the Accessories Page in the Vehicle Section).**

**Applied** **200 Series Truck Scale**  
**Orthotropic Steel Deck**



**Approvals**

NTEP COC # 93-108A6, temperature code: T4  
 Measurement Canada Approval #AM-4900

**Standard Weighbridge Features**

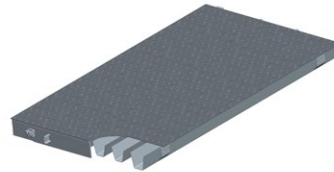
- Ten year VTS23X scale weighbridge warranty
- Module Masher tested > 2,000,000 cycles with 80k lbs on dual tandem axle tire pattern
- 100,000 lb Concentrated Load Capacity (CLC)
- 5/16" Steel Deck Modules with Debris Guards
- Factory assembled module(s)
- 14.5" profile, top of deck to bottom of base plate
- 3" minimum clearance under scale
- Strikesield™ Lightning Protection System
- Includes base plates, installation KOP, and anchor bolts
- Above ground or pit installation
- 3 sets of drawings (additional dwg sets or PE stamp extra)

**Options**

- See Vehicle Scale Customization Adders by Model chart
- 110,000 lb (50t) POWERCELL PDX load cells
- 66,000 lb (30t) POWERCELL GDD load cells
- 55,000 lb (25t) POWERCELL MTX load cells
- Div 1 Hazardous option - see page 446
- Multi-Axle Scale Configurations with POWERCELL PDX
- Basic Portable Frame
- Premium Portable Frame

**Accessories**

- IND246 can power up to 12 PDX load cells,
- IND560 up to 14 load cells,
- IND780 up to 14 load cells & 24 load cells with external power supply.
- DataBridge SS or DataBridge MS vehicle scale management software
- Home run cable
- Remote Display
- POWERCELL Locating tools



VTS23X Cross Section

**Foundation Prints**

Size	Variable Footer	Beam Slab	Pit
10' x 11'	TC202445	TC202446	TC202447
15' x 11'	TC202448	TC202449	TC202450
17.5' x 11'	TC202451	TC202452	TC202453
20' x 11'	TC203584	TC203585	TC203586
30' x 11'	TC202454	TC202455	TC202456
35' x 11'	TC202457	TC202458	TC202459
40' x 11'	TC203504	TC203505	TC203506
45' x 11'	TC202460	TC202461	TC202462
60' x 11'	TC203507	TC203508	TC203509
70' x 11'	TC205843	TC205844	TC205845
80' x 11'	TC203510	TC203511	TC203512
87.5' x 11'	TC205983	TC205984	TC205985
90' x 11'	TC205971	TC205972	TC205973
100' x 11'	TC203513	TC203514	TC203515
120' x 11'	TC203516	TC203517	TC203518



## 200 Series Steel Pricing

Material Number	Material Description	List Price (CAD)
30415779	Truck Scale VTS230 POWERCELL GDD Standard	1
30088393	Truck Scale VTS231 POWERCELL PDX Standard	1

Total Scale Length	Qty Load Cells	Qty Mods	Module Length	Estimated Shipping Weight	List Price (CAD)	
					VTS230 (GDD) 30415779	VTS231 (PDX) 30088393
10'	4	1	10'	4500 lb	21,460	24,180
15'			15'	6200 lb	22,440	25,160
17.5'			17.5'	7000 lb	23,640	26,360
20'			20'	7800 lb	25,170	27,890
23'			23'4"	8800 lb	28,620	31,340
30'	6	2	15'	11,900 lb	39,540	43,620
35'			17.5'	13,500 lb	41,840	45,920
40'			20'	15,100 lb	43,160	47,240
47'			23'4"	17,100 lb	48,520	52,600
60'	8	3	20'	22,400 lb	61,760	67,200
70'			23'4"	26,500 lb	67,060	72,500
70'	10	4	17'5"	27,000 lb	70,300	77,100
80'			20'	29,700 lb	80,500	87,300
90'			3-23'4" and 1-20'	34,000 lb	88,700	95,500
100'	12	5	20'	37,200 lb	99,340	107,500
110'			2-20' and 3- 23'4"	41,500 lb	104,740	112,900
120'	14	6	20'	44,700 lb	109,580	119,100

These prices do not include indicator, printer, tickets, foundation coping, foundation reinforcing steel, home run cable, freight, or installation. Capacity based on trucks with axle configurations approved for highway use. It does not apply to forklift trucks or other off-highway vehicles. Consult METTLER TOLEDO for these applications.

Required clearance under scale may vary. Confirm requirement with local Weights and Measures.

**For configurations with lengths and widths not shown here, please email [ind-customquote-requests@mt.com](mailto:ind-customquote-requests@mt.com) or call for a non-standard make to order quote; (614) 985-5296.**

**VTS231 Multi-Axle Scales\*\***

Order Number	Legacy Reference Number	Length ST	Length DR	Length TR	Total Length	Scale Width	Load Cells	Qty Mods	Compatible Terminal	Shipping Weight	List Price (CAD)
61044955	VTS231-7735PD	17.5'	17.5'	35'	70'	11'	14	4	IND780*	27,300 lb	105,100
61045329	VTS231-5740PD	15'		40'	72.5'					28,100 lb	105,800
61046528	VTS231-5740PD 2M	15'		40'	72.5'					28,300 lb	107,900
61046906	VTS231-7747PD	17.5'		47'	82'					30,900 lb	115,800
61045190	VTS231-2240PD	20'	20'	40'	80'				30,500 lb	116,000	

ST - steering axle DR - drive axle TR - trailer

Additional multi-axle configurations available upon request

\* Multi-Axle scales require use of IND780 Terminal

\*\* Not a drop-in replacement for 7562 multi-axle scales. Request ETO for 7562 replacement.

**VTS231 Customizations**

Order Number	Legacy Reference Number	Description	List Price (CAD)
*	Engineer to Order	Premium Portable Frame - 35'x10 only (2 modules) Scale and frame - 18,000 lb	See Portable Scale Page
*	Engineer to Order	Premium Portable Frame - 70'x10 only (4 modules) Scale and frame - 34,000 lb	

\* These are Customizations - Order Numbers will be assigned after placement of order.

\*\* Call for pricing when multiple modules need to be shortened.

**Commercial** **100 Series Truck Scale**  
**Orthotropic Steel Deck**



**Approvals**

NTEP COC # 01-070A4

**Standard Features**

- Five year VTS10X scale weighbridge warranty
- Module Masher tested > 1,000,000 cycles with 60k lbs on dual tandem axle tire pattern
- 80,000 lb Concentrated Load Capacity (CLC)
- 5/16" tread plate scale deck
- 5-1/2" minimum clearance under bottom of ribs
- 17" profile from top of deck to bottom of base plate
- Strikesield™ Lightning Protection System
- Includes base plates, installation KOP, and anchor bolts
- Above ground and pit installation available (no shallow pit)
- (Pit install requires (4) 1.25-7 eyebolts by others)
- 9' 10", 11' and 11'-10" width decks
- 3 sets of drawings (additional dwg sets or PE stamp extra)

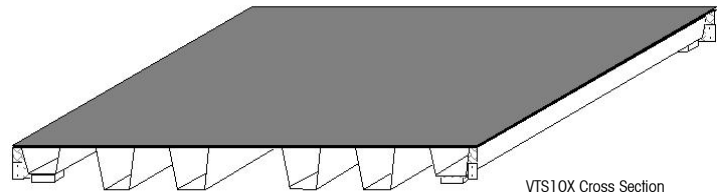


**Options**

- See Vehicle Scale Customization Adders by Model chart
- 110,000 lb (50t) POWERCELL PDX load cells
- 66,000 lb (30t) POWERCELL GDD load cells
- 55,000 lb (25t) POWERCELL MTX load cells
- Div 1 Hazardous option
- Basic Portable Frame
- Manhole(s) required for pit installation

**Accessories**

- IND246 can power up to 12 PDX load cells,
- IND560 up to 14 load cells,
- IND780 up to 14 load cells & 24 load cells with external power supply.
- DataBridge SS or DataBridge MS vehicle scale management software
- Unattended station
- Home run cable
- Remote Display
- POWERCELL Locating Tools



VTS10X Cross Section

**Variable Footer Foundation Prints**

Size	VTS10X Variable Footer	VTS10X General Layout
70' x 11'	TC207981	TC207943
80' x 11'	TC207982	TC207944
90' x 11'	TC207983	TC207944

Drawings available for scales 10' to 120' in length

## 100 Series Steel Pricing

Material Number	Material Description	List Price (CAD)
30092658	Truck Scale VTS100 POWERCELL GDD Standard	1
30094492	Truck Scale VTS101 POWERCELL PDX Standard	1

Total Scale Length	Qty Load Cells	Qty Mods	Module Length	Estimated Shipping Weight	List Price (CAD)	
					VTS100 (GDD) 30092658	VTS101 (PDX) 30094492
10'	4	1	10'	6200 lb	19,160	21,880
15'			15'	6200 lb	21,460	24,180
17.5'			17.5'	6500 lb	22,130	24,850
20'			20'	7200 lb	23,770	26,490
23'			23'4"	8100 lb	28,450	31,170
30'	6	2	15'	10,000 lb	32,710	36,790
35'			17.5'	12,500 lb	33,990	38,070
40'			20'	13,900 lb	36,960	41,040
47'			23'4"	15,800 lb	41,400	45,480
60'	8	3	20'	20,800 lb	54,360	59,800
70'			23'4"	24,400 lb	62,460	67,900
70'	10	4	17'5"	25,000 lb	65,400	72,200
80'			20'	27,400 lb	71,300	78,100
90'			3-23'4" and 1-20'	31,500 lb	83,500	90,300
100'	12	5	20'	34,400 lb	88,440	96,600
110'			2-20' and 3- 23'4"	38,200 lb	101,640	109,800
120'	14	6	20'	41,200 lb	105,480	115,000

These prices do not include indicator, printer, tickets, foundation coping, foundation reinforcing steel, home run cable, freight, or installation. Capacity based on trucks with axle configurations approved for highway use. It does not apply to forklift trucks or other off-highway vehicles. Consult METTLER TOLEDO for these applications.

Required clearance under scale may vary. Confirm requirement with local Weights and Measures.

**For configurations with lengths and widths not shown here, please email [ind-customquote-requests@mt.com](mailto:ind-customquote-requests@mt.com) or call for a non-standard make to order quote; (614) 985-5296.**

# Applied 7560SD Truck Scale

## Orthotropic Steel Deck Scale



**Approvals**

NTEP COC # 88-243A4, temperature code: T4  
 Hazardous Area: Division 2 / Zone 2/22 for POWERCELL® PDX® with IND780  
 POWERCELL MTX - Hazardous Area Protection Class I, II, III; Division 1 & 2;  
 Groups C, D, E, F, & G  
 Measurement Canada Approval #SWA-4194

**Standard Features**

Five year 7560 scale weighbridge warranty  
 60,000 lb Concentrated Load Capacity (CLC)  
 5/16" Steel tread plate deck  
 Factory assembled module(s)  
 11.5 in profile, top of deck to bottom of base plate  
 Strikeshield™ Lightning Protection System  
 Base plates, installation KOP, and anchor bolts  
 Above ground or pit installation  
 3 in minimum clearance under scale  
 3 sets of drawings (additional drawing sets or PE stamp extra)  
 9'10", 11' and 11'10" width decks

**Options**

See Vehicle Scale Customization Adders by Model chart  
 Div 1 Hazardous option - page 446  
 110,000 lb (50t) POWERCELL PDX load cells  
 66,000 lb (30t) POWERCELL GDD load cells  
 55,000 lb (25t) POWERCELL MTX load cells

**Accessories**

IND560 PDX - Up to 14 load cells  
 IND780 PDX - Up to 14 load cells with external power supply  
 DataBridge SS or DataBridge MS vehicle scale management software  
 Home run cable  
 Remote Display  
 Locating tools

**Notes**

These prices do not include indicator, printer, tickets, foundation coping, foundation reinforcing steel, home run cable, freight, or installation.  
 Capacity based on trucks with axle configurations approved for highway use. It does not apply to forklift trucks or other off-highway vehicles. Consult METTLER TOLEDO for these applications.  
 Required clearance under scale may vary. Confirm requirement with local Weights and Measures.



7560SD Cross Section

**Foundation Prints**

Size	Variable Footer	Beam Slab	Pit
10' x 11'	TC201550	TC201551	TC201552
15' x 11'	TC201553	TC201554	TC201555
35' x 11'	TC201556	TC201557	TC201558
45' x 11'	TC201559	TC201560	TC201561
60' x 11'	TC201562	TC201563	TC201564
70' x 11'	TC201565	TC201566	TC201567
75' x 11'	TC201568	TC201569	TC201570
80' x 11'	TC201571	TC201572	TC201573
87.5' x 11'	TC201574	TC201575	TC201576
100' x 11'	TC201577	TC201578	TC201579
105' x 11'	TC201580	TC303793	TC203683
122.5' x 11'	TC201582	TC203679	TC203680

## 7560SD Series Steel Pricing

Material Number	Material Description	List Price (CAD)
30456628	Truck Scale 7560SD POWERCELL GDD Standard	1
30456630	Truck Scale 7560SD POWERCELL PDX Standard	1

**Model 7560 Scales are now available in the VEH Configurator.**

Total Scale Length	Qty Load Cells	Qty Mods	Module Length	Estimated Shipping Weight	List Price (CAD)	
					7560SD (GDD) 30456628	7560SD (PDX) 30456630
15'	4	1	15'	5,650 lb	23,430	26,150
17.5'			17.5'	6,450 lb	25,030	27,750
30'	6	2	15'	11,000 lb	40,570	44,650
35'			17.5'	12,600 lb	43,120	47,200
45'	8	3	15'	16,250 lb	53,010	58,450
52.5'			17.5'	18,650 lb	59,160	64,600
60'	10	4	15'	21,600 lb	65,650	72,450
70'			17.5'	24,800 lb	70,100	76,900
80'	12	5	3- 15', 2- 17.5'	28,650 lb	83,240	91,400
87.5'			17.5'	30,950 lb	91,090	99,250
90'	14	6	15'	32,200 lb	90,880	100,400
100'			2- 15', 4- 17.5'	35,600 lb	103,730	113,250
105'			17.5'	37,000 lb	110,730	120,250
122.5'	16	7	17.5''	43,150 lb	118,820	129,700

If a POWERCELL MTX scale is required, contact Application Support for a custom quote. Pricing will be the same as the PDX listed price. These prices do not include indicator, printer, tickets, foundation coping, foundation reinforcing steel, home run cable, freight, or installation. Capacity based on trucks with axle configurations approved for highway use. It does not apply to forklift trucks or other off-highway vehicles. Consult METTLER TOLEDO for these applications. Required clearance under scale may vary. Confirm requirement with local Weights and Measures.

**For configurations with lengths and widths not shown here, or POWERCELL MTX load cells please email [ind-customquote-requests@mt.com](mailto:ind-customquote-requests@mt.com) or call for a non-standard make to order quote; (614) 985-5296.**

# Applied 7563 Truck Scale

## Orthotropic Steel Deck Scale



**Approvals**

NTEP COC # 96-092A3, temperature code: T4  
 Hazardous Area: Division 2 / Zone 2/22 for POWERCELL® PDX® with IND780  
 POWERCELL MTX - Hazardous Area Protection Class I, II, III; Division 1 & 2;  
 Groups C, D, E, F, & G  
 Measurement Canada Approval #AM-4900

**Standard Features**

Five year 7563 scale weighbridge warranty  
 100,000 lb Concentrated Load Capacity (CLC)  
 Standard modules have 5/16" steel deck treadplate  
 Factory assembled module(s)  
 17 in profile, top of deck to bottom of base plate  
 3 in minimum clearance under scale  
 55,000 lb (25t) POWERCELL MTX load cells  
 Strikeshield™ Lightning Protection System  
 Base plates, installation KOP, and anchor bolts  
 Above ground or pit installation  
 3 sets of drawings (additional drawing sets or PE stamp extra)  
 10', 11', and 14' width decks

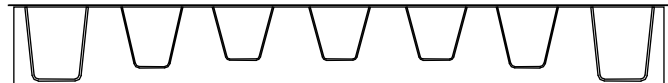


**Off-Road Scale Configurations**

Side by side scales have 3/8" deck treadplate  
 Manholes, side rails, and side rail brackets are not available  
 15 ft modules have 140,000 lb single axle capacity  
 17.5 ft modules have 110,000 lb single axle capacity  
 Maximum Scale Capacity: 200,000 single width scale;  
 400,000 double width scale

**Options**

See Vehicle Scale Customization Adders by Model chart  
 Div 1 Hazardous option  
 110,000 lb (50t) POWERCELL PDX load cells  
 Multi-Axle Scale Configurations



7563 Cross Section

**Accessories**

IND560 up to 14 load cells,  
 IND780 up to 14 load cells & 24 load cells  
 with external power supply.  
 DataBridge SS or DataBridge MS vehicle scale  
 management software  
 Remote Display  
 Home run cable  
 Locating tools

**Notes**

These prices do not include indicator, printer, tickets, foundation coping, foundation reinforcing steel, home run cable, freight, or installation.  
 Capacity based on trucks with axle configurations approved for highway use. It does not apply to forklift trucks or other off-highway vehicles. Consult METTLER TOLEDO for these applications.  
 Required clearance under scale may vary. Confirm requirement with local Weights and Measures.

**Foundation Prints**

Size	Variable Footer	Beam Slab	Pit
10' x 10'	TC202715	TC202716	TC205801
15' x 10'	TC202717	TC202718	TC203376
17.5' x 10'	TC202719	TC202720	TC203377
30' x 10'	TC202721	TC202722	TC203378
35' x 10'	TC202723	TC202724	TC203379
45' x 10'	TC202725	TC202726	TC203380
70' x 10'	TC202729	TC202730	TC203382
87.5' x 10'	TC202735	TC202736	TC203385
105' x 10'	TC202739	TC202740	TC203387

### 7563 Truck Scale

7563 Weighbridges

PDX Order Number	MTX Order Number	Legacy Reference Number	Length	Width	Options	Load Cells	Qty Mods	Module Length	Compatible Terminal	Shipping Weight	List Price (CAD)
Call for custom quote on Material ID 30080476	69034872	7563MD1011A	10'	11'	Standard	4	1	10'		4300 lb	29,530
	69034873	7563MD1011A3			1 Manhole						call
	69034874	7563MD1011AS			Side Rail Brackets						call
	69034895	7563MD1511A	15'	11'	Standard	4	1	15'		6500 lb	31,720
	69034896	7563MD1511A3			1 Manhole						call
	69034897	7563MD1511AS			Side Rail Brackets						call
	69034901	7563MD1711A	17.5'	11'	Standard	4	1	17.5'		7400 lb	32,720
	69034902	7563MD1711A3			1 Manhole						call
	69034903	7563MD1711AS			Side Rail Brackets						call
	69034908	7563MD2011A	20'	11'	Standard	4	1	20'		8300 lb	34,030
	69034909	7563MD2011A3			1 Manhole						call
	69034910	7563MD2011AS			Side Rail Brackets						call
	69034916	7563MD3511A	35'	11'	Standard	6	2	17.5'		14,500 lb	53,800
	69034917	7563MD3511A1			2 Manhole						call
	69034919	7563MD3511AS			Side Rail Brackets						call
	69034925	7563MD4011A	40'	11'	Standard	6	2	20'	IND780	16,300 lb	56,300
	69034927	7563MD4011A3			1 Manhole						call
	69034926	7563MD4011A1			2 Manholes						call
	69034928	7563MD4011AS			Side Rail Brackets						call
	69034942	7563MD5211A	52.5'	11'	Standard	8	3	17.5'		21,600 lb	77,300
	69034944	7563MD5211A3			1 Manhole						call
	69034943	7563MD5211A1			2 Manholes						call
	69034945	7563MD5211AS			Side Rail Brackets						call
	69034951	7563MD6011A	60'	11'	Standard	8	3	20'		24,300 lb	80,900
	69034953	7563MD6011A3			1 Manhole						call
	69034952	7563MD6011A1			2 Manholes						call
	69034954	7563MD6011AS			Side Rail Brackets						82,500
	69034960	7563MD7011A	70'	11'	Standard	10	4	17.5'		28,700 lb	98,800
	69034962	7563MD7011A3			1 Manhole						call
	69034961	7563MD7011A1			2 Manholes						101,000
61024400	7563MD7011AS	Side Rail Brackets			100,800						
69034978	7563MD8011A	80'	11'	Standard	10	4	20'		32,300 lb	109,000	
69034980	7563MD8011A3			1 Manhole						call	
69034979	7563MD8011A1			2 Manholes						111,200	
69034981	7563MD8011AS			Side Rail Brackets						111,000	
61024403	7563MD9011A	90'	11'	Standard	12	5	4-17.5' 1-20'		36,700 lb	126,600	
69034997	7563MD9011A3			1 Manhole						call	
69034996	7563MD9011A1			2 Manholes						call	
69034998	7563MD9011AS			Side Rail Brackets						128,900	

Order Numbers listed above apply to legacy POWERCELL MTX scales. POWERCELL PDX Order Numbers will be assigned using Material Number 30080476, at the same prices listed above, after placement of order.



PDX Order Number	MTX Order Number	Legacy Reference Number	Length	Width	Options	Load Cells	Qty Mods	Module Length	Compatible Terminal	Shipping Weight	List Price (CAD)
Call for custom quote on Material ID 30080476	69034865	7563MD1001A	100'	11'	Standard	12	5	20'	IND780	40,300 lb	132,400
	69034867	7563MD1001A3			1 Manhole						call
	69034866	7563MD1001A1			2 Manholes						134,400
	61024396	7563MD1001AS			Side Rail Brackets						134,800
	69034880	7563MD1101A	110'	11'	Standard	14	6	4-17.5' 2-20'		44,700 lb	151,600
	69034882	7563MD1101A3			1 Manhole						call
	69034881	7563MD1101A1			2 Manholes			call			
	69034883	7563MD1101AS			Side Rail Brackets			call			
	69034888	7563MD1201A	120'	11'	Standard	14	6	20'		48,300 lb	156,400
	69034890	7563MD1201A3			1 Manhole						call
	69034889	7563MD1201A1			2 Manholes						call
	61024397	7563MD1201AS			Side Rail Brackets						159,300

Order Numbers listed above apply to legacy POWERCELL MTX scales. POWERCELL PDX Order Numbers will be assigned using Material Number 30080476, at the same prices listed above, after placement of order.

**7563 Off-Road Side-by-Side Weighbridges**

PDX Order Number	Length	Width	Options	Load Cells	Qty Mods	Module Length	Compatible Terminal	Shipping Weight	List Price (CAD)
Call for custom quote on Material ID 30080476	15'	14'	Side-by-Side	8	2	15'	IND780	10,800 lb	call
	17.5'		Side-by-Side			17'		12,000 lb	call
	30'		Side-by-Side	12	4	15'		23,000 lb	call
	35'		Side-by-Side			17'		26,200 lb	call
	45'		Side-by-Side	16	6	15'		30,600 lb	call
	52'		Side-by-Side			17'		34,800 lb	call
	60'		Side-by-Side	20	8	15'		40,600 lb	call
	70'		Side-by-Side			17'		46,200 lb	call
	75'		Side-by-Side	24	10	15'		50,600 lb	call
	87'		Side-by-Side			17'		57,600 lb	call
	90'		Side-by-Side	28	12	15'		60,600 lb	call
	105'		Side-by-Side			17'		69,000 lb	call
	122'		Side-by-Side	32	14	15'		70,700 lb	call

Note: Scales with more than 24 loadcells require two (2) indicators with custom summing program. Consult local Weights and Measures should the installation required is legal for trade.

**For configurations with lengths and widths not shown here, or POWERCELL PDX load cells please email [ind-customquote-requests@mt.com](mailto:ind-customquote-requests@mt.com) or call for a non-standard make to order quote; (614) 985-5296.**

**Applied** **7566 Truck Scale**  
**Orthotropic Steel Deck Scale**



**Approvals**

NTEP COC # 00-077AZ, temperature code: T4  
 Hazardous Area: Division 2 / Zone 2/22 for POWERCELL® PDX® with IND780  
 POWERCELL MTX - Hazardous Area Protection Class I, II, III; Division 1 & 2;  
 Groups C, D, E, F, & G  
 Measurement Canada Approval #AM-4900

**Standard Features**

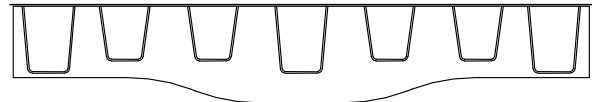
Ten year 7566 scale weighbridge warranty  
 130,000 lb Concentrated Load Capacity (CLC)  
 3/8" Steel Deck Modules  
 Factory assembled module(s)  
 29-7/8" profile, top of deck to bottom of base plate  
 14" minimum clearance under scale  
 55,000 lb (25t) POWERCELL MTX load cells  
 Strikeshield™ Lightning Protection System  
 Base plates, installation KOP, and anchor bolts  
 Above ground installation  
 3 sets of drawings (additional drawing sets or PE stamp extra)

**Options**

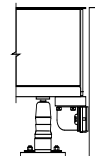
See Vehicle Scale Customization Adders by Model chart  
 Div 1 Hazardous option  
 110,000 lb (50t) POWERCELL PDX load cells  
 Off-Road Scale Configurations

**Accessories**

IND560 up to 14 load cells,  
 IND780 up to 14 load cells & 24 load cells  
 with external power supply.  
 DataBridge SS or DataBridge MS vehicle scale  
 management software  
 Remote Display  
 Home run cable  
 Locating tools



7566 Cross Section



Load Cell View

## 7566 Truck Scale

### 7566 Weighbridges

PDX Order Number	MTX Order Number	Legacy Reference Number	Length	Width	Options	Load Cells	Qty Mods	Module Length	Compatible Terminal	Shipping Weight	List Price (CAD)
Call for custom quote on Material ID 30080477	69035001	756602012M	20'	11'-10"	Standard	4	1	20'	IND780	12,500 lb	48,180
	69035005	756604012M	40'	11'-10"	Standard	6	2			22,900 lb	86,800
	69035007	756606012M	60'	11'-10"	Standard	8	3			34,000 lb	125,200
	69035009	756607012M	70'	11'-10"	Standard	10	4	17.5'		42,800 lb	148,200
	61024414	756608012M	80'	11'-10"	Standard			20'		48,000 lb	161,700
	69035012	756609012M	90'	11'-10"	Standard	12	5	4-17.5' 1-20'		53,500 lb	194,800
	69035013	756610012M	100'	11'-10"	Standard			20'		60,000 lb	198,300
	69035014	756611012M	110'	11'-10"	Standard	14	6	4-17.5' 2-20'		65,500 lb	243,900
	69035015	756612012M	120'	11'-10"	Standard			20'		71,500 lb	235,700
	61024413	756603020M	30'	19'-9"	Side-by-Side	12	4	15'		36,800 lb	146,000
	69035006	756604520M	45'	19'-9"	Side-by-Side	16	6			54,700 lb	208,300
	69035008	756606020M	60'	19'-9"	Side-by-Side	20	8			72,200 lb	270,200
	69035010	756607520M	75'	19'-9"	Side-by-Side	24	10			89,500 lb	332,600

Order Numbers listed above apply to legacy POWERCELL MTX scales. POWERCELL PDX Order Numbers will be assigned, at the same prices listed above, after placement of order.

#### Notes

These prices do not include indicator, printer, tickets, foundation coping, foundation reinforcing steel, home run cable, freight, or installation. Capacity based on trucks with axle configurations approved for highway use. It does not apply to forklift trucks or other off-highway vehicles. Consult METTLER TOLEDO for these applications. Required clearance under scale may vary. Confirm requirement with local Weights and Measures.

**For configurations with lengths and widths not shown here, or POWERCELL PDX load cells please email [ind-customquote-requests@mt.com](mailto:ind-customquote-requests@mt.com) or call for a non-standard make to order quote; (614) 985-5296.**

# Applied 200 Series Truck Scales

## Orthotropic Concrete Deck Scale



**Approvals**

NTEP COC # 09-047  
 Measurement Canada Approval #AM-4900

**Standard Features**

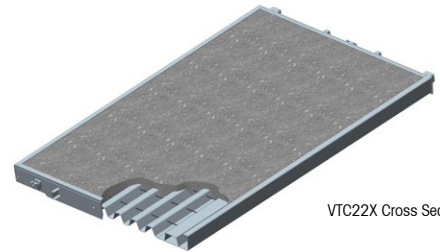
- Ten year for VTC22X scale weighbridge warranty
- Module Masher tested > 2,000,000 cycles with 80k lbs on dual tandem axle tire pattern
- 100,000 lb Concentrated Load Capacity (CLC)
- Orthotropic Weighbridge Pan with Concrete Deck
- 14.5" profile, top of deck to bottom of base plate
- 4" minimum clearance under bottom of pan
- Strikeshield™ Lightning Protection System
- Base plates, installation KOP, and anchor bolts
- Above ground or pit installation
- 3 sets of drawings (additional drawing sets or PE stamp extra)
- 10' and 11' width decks

**Options**

- See Vehicle Scale Customization Adders by Model chart
- 1 10,000 lb (50t) POWERCELL PDX load cells
- 66,000 lb (30t) POWERCELL GDD load cells
- 55,000 lb (25t) POWERCELL MTX load cells
- Div 1 Hazardous option
- Multi-Axle Scale Configurations with POWERCELL PDX

**Accessories**

- IND246 can power up to 12 PDX load cells,
- IND560 up to 14 load cells,
- IND780 up to 14 load cells & 24 load cells with external power supply.
- DataBridge SS or DataBridge MS vehicle scale management software
- PDX Home run cable
- Remote Display
- POWERCELL PDX Locating tools



VTC22X Cross Section

**Foundation Prints**

Size	Variable Footer	Beam Slab	Pit
40' x 11'	TC207758		TC207821
60' x 11'	TC207679		TC207773
70' x 11'	TC207693	TC207747	
80' x 11'	TC207739		TC207774
110' x 11'	TC207740		

Material Number	Material Description	List Price (CAD)
30415778	Truck Scale VTC220 POWERCELL GDD Standard	1
30088394	Truck Scale VTC221 POWERCELL PDX Standard	1

## 200 Series Concrete Pricing

Total Scale Length	Qty Load Cells	Qty Mods	Module Length	Estimated Shipping Weight	List Price (CAD)	
					VTC220 (GDD) 30415778	VTC221 (PDX) 30088394
15'	4	1	15'	4000 lb	19,600	22,320
17.5'			17.5'	4700 lb	20,820	23,540
20'			20'	5200 lb	22,060	24,780
23'			23'4"	5750 lb	23,680	26,400
30'	6	2	15'	8900 lb	31,700	35,780
35'			17.5'	8900 lb	34,130	38,210
40'			20'	11,000 lb	36,290	40,370
47'			23'4"	12,250 lb	39,570	43,650
60'	8	3	20'	16,250 lb	50,560	56,000
70'			23'4"	18,550 lb	55,260	60,700
70'	10	4	17'5"	21,500 lb	60,100	66,900
80'			20'	21,500 lb	65,000	71,800
90'			3-23'4" and 1-20'	24,000 lb	69,300	76,100
100'	12	5	20'	26,950 lb	79,240	87,400
110'			2-20' and 3- 23'4"	29,450 lb	84,240	92,400
120'	14	6	20'	32,400 lb	99,080	108,600

These prices do not include indicator, printer, tickets, foundation coping, foundation reinforcing steel, home run cable, freight, or installation. Capacity based on trucks with axle configurations approved for highway use. It does not apply to forklift trucks or other off-highway vehicles. Consult METTLER TOLEDO for these applications.

Required clearance under scale may vary. Confirm requirement with local Weights and Measures.

### VTC221 Multi-Axle Scales\*\*

Order Number	Legacy Reference Number	Length ST	Length DR	Length TR	Total Length	Width	Load Cells	Qty Mods	Compatible Terminal	List Price (CAD)
61046300	VTC221-7735PD	17.5'	17.5'	35'	70'	11'	14	4	IND780*	100,000
61046298	VTC221-5740PD	15'		40'	72.5'					100,800
61045297	VTC221-7747PD	17.5'		47'	72.5'					106,700
61046295	VTC221-2240PD	20'	20'	40'	80'					103,500

ST - steering axle DR - drive axle TR - trailer

Additional multi-axle configurations available upon request.

\* Multi-Axle scales require use of IND780 Terminal

\*\* Not a drop-in replacement for 7562 multi-axle scales. Request ETO for 7562 replacement.

For configurations with lengths and widths not shown here, please email [ind-customquote-requests@mt.com](mailto:ind-customquote-requests@mt.com) or call for a non-standard make to order quote; (614) 985-5296.

**Commercial** **100 Series Truck Scales**  
**Orthotropic Concrete Deck Scale**



**Approvals**

NTEP COC # 10-029  
 POWERCELL PDX Load Cells, 10,000d  
 Hazardous Area: Division 2 / Zone 2/22 for POWERCELL® PDX® with IND780

**Standard Features**

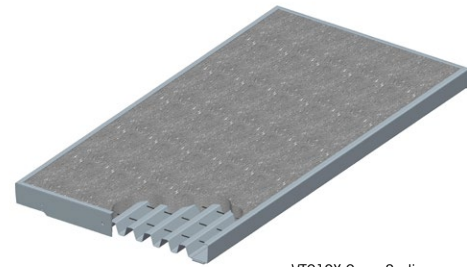
Five year VTC10X scale weighbridge warranty  
 Module Masher tested > 1,000,000 cycles with 60k lbs on dual tandem axle tire pattern  
 80,000 lb Concentrated Load Capacity (CLC)  
 Orthotropic Weighbridge Structure with Concrete Deck  
 20" profile, top of deck to bottom of base plate  
 10" minimum clearance under bottom of ribs  
 Strikeshield™ Lightning Protection System  
 Includes base plates, installation KOP, and anchor bolts  
 Above ground or pit installation  
 3 sets of drawings (additional sets or PE stamp extra)  
 9'10" and 11' width decks

**Options**

See Vehicle Scale Customization Adders by Model chart  
 110,000 lb (50t) POWERCELL PDX load cells  
 66,000 lb (30t) POWERCELL GDD load cells  
 55,000 lb (25t) POWERCELL MTX load cells

**Accessories**

IND246 can power up to 12 PDX load cells,  
 IND560 up to 14 load cells,  
 IND780 up to 14 load cells & 24 load cells with external power supply.  
 DataBridge SS or DataBridge MS vehicle scale management software  
 Unattended Station  
 PDX Home run cable  
 POWERCELL PDX Locating tools  
 Remote Display



VTC10X Cross Section

**Variable Footer Foundation Prints**

Size	VTC10X Variable Footer	VTC10X General Layout
60' x 11'	TC208421	TC208393
70' x 11'	TC208422	TC208393
80' 11'	TC208424	TC208394

Drawings available for scales 10' to 120' in length

## 100 Series Concrete Pricing

Material Number	Material Description	List Price (CAD)
30092657	Truck Scale VTC100 POWERCELL GDD Standard	1
30094491	Truck Scale VTC101 POWERCELL PDX Standard	1

Total Scale Length	Qty Load Cells	Qty Mods	Module Length	Estimated Shipping Weight	List Price (CAD)	
					VTC100 (GDD) 30092657	VTC101 (PDX) 30094491
10'	4	1	10'	3600 lb	16,520	19,240
15'			15'	3600 lb	17,400	20,120
17.5'			17.5'	4200 lb	18,670	21,390
20'			20'	4700 lb	19,470	22,190
23'			23'4"	5000 lb	20,880	23,600
30'	6	2	15'	8100 lb	29,880	33,960
35'			17.5'	8400 lb	31,490	35,570
40'			20'	10,000 lb	33,100	37,180
47'			23'4"	17,000 lb	35,240	39,320
60'	8	3	20'	15,000 lb	47,560	53,000
70'			23'4"	17,000 lb	50,760	56,200
70'	10	4	17'5"	19,500 lb	57,600	64,400
80'			20'	20,200 lb	61,300	68,100
90'			3-23'4" and 1-20'	22,500 lb	65,100	71,900
100'	12	5	20'	24,400 lb	75,340	83,500
110'			2-20' and 3- 23'4"	26,400 lb	79,640	87,800
120'	14	6	20'	29,400 lb	89,280	98,800

These prices do not include indicator, printer, tickets, foundation coping, foundation reinforcing steel, home run cable, freight, or installation. Capacity based on trucks with axle configurations approved for highway use. It does not apply to forklift trucks or other off-highway vehicles. Consult METTLER TOLEDO for these applications.

Required clearance under scale may vary. Confirm requirement with local Weights and Measures.

**For configurations with lengths and widths not shown here, please email [ind-customquote-requests@mt.com](mailto:ind-customquote-requests@mt.com) or call for a non-standard make to order quote; (614) 985-5296.**

**Commercial** **190 SERIES TRUCK SCALES**  
**Concrete Deck Scale Kit**



**Approvals**

NTEP COC # 14-099  
 POWERCELL PDX Load Cells, 10,000d  
 Hazardous Area: Division 2 / Zone 2/22 for POWERCELL® PDX® with IND780

**Standard Features**

Five year VTC19X scale weighbridge warranty  
 Module Masher tested > 1,000,000 cycles with 60k lbs on dual tandem axle tire pattern  
 80,000 lb Concentrated Load Capacity (CLC)  
 Field Assembled Concrete Deck kit  
 Hot-dipped Galvanized Steel frame  
 14.5" profile, top of deck to bottom of base plate  
 3.25" minimum clearance under bottom of scale  
 Strikeshield™ Lightning Protection System  
 Includes base plates, installation KOP, and anchor bolts  
 Above ground installation  
 3 sets of drawings (additional sets or PE stamp extra)  
 10' and 11' width decks  
 11.25" Concrete thickness

**Options**

See Vehicle Scale Customization Adders by Model chart  
 110,000 lb (50t) POWERCELL PDX load cells  
 66,000 lb (30t) POWERCELL GDD load cells  
 Side Rails

**Accessories**

IND246 can power up to 12 PDX load cells,  
 IND560 up to 14 load cells,  
 IND780 up to 14 load cells & 24 load cells with external power supply.  
 DataBridge SS or DataBridge MS vehicle scale management software  
 Unattended Station

**Notes**

These prices do not include indicator, printer, tickets, foundation coping, foundation reinforcing steel, scale concrete or rebar, home run cable, freight, or installation. Capacity is based on motor trucks with axle configurations approved for highway use. Application or scale does not apply to forklift trucks or other off-highway vehicles. Consult METTLER TOLEDO for these applications. Required clearance under scale may vary; confirm requirement with local Weights and Measures. Intended for above-ground applications. Do not use with pit foundations.



VTC19X Rebar and Concrete

**Variable Footer Foundation Prints**

Size	VTC191 General Layout
60' x 11'	61807858
70' x 11'	61807858
80' 11'	61807858

Drawings available for scales 17.5' to 120' in length



VTC190 Weighbridge

Material Number	Material Description	List Price (CAD)
30139760	Truck Scale VTC19X POWERCELL Custom (must be quoted through App Support)	1

## VTC191 POWERCELL PDX Scale

Total Scale Length	Qty Load Cells	Qty Mods	Module Length	Shipping Weight	Concrete and Rebar pieces must be supplied locally								List (CAD)
					Concrete (Cu Yds)	Rebar #4 113" Long	Rebar #8 225" Long	Rebar #8 195" Long	Concrete (Cu Yds)	Rebar #4 125" Long	Rebar #8 225" Long	Rebar #8 195" Long	
17.5'	4	1	17.5'	2,000 lb	5.8	37 pcs		22	6.4	37 pcs		22	16,750
20'			20'	2,000 lb	6.7	37	22		7.4	37	22		17,500
35'	6	2	17.5'	4,000 lb	11.6	74		44	12.8	74		44	28,000
40'			20'	4,000 lb	13.5	74	44		14.8	74	44		30,050
60'	8	3	20'	6,000 lb	20.2	111	66		22.2	111	66		44,600
70'	10	4	17.5'	8,000 lb	23.3	148		88	25.6	148		88	54,650
80'			20'	8,000 lb	26.9	148	88		29.6	148	88		59,250
					10 Foot Width				11 Foot Width				

## VTC190 POWERCELL GDD Scale

Total Scale Length	Qty Load Cells	Qty Mods	Module Length	Shipping Weight	Concrete and Rebar pieces must be supplied locally								List (CAD)
					Concrete (Cu Yds)	Rebar #4 113" Long	Rebar #8 225" Long	Rebar #8 195" Long	Concrete (Cu Yds)	Rebar #4 125" Long	Rebar #8 225" Long	Rebar #8 195" Long	
17.5'	4	1	17.5'	2,000 lb	5.8	37 pcs		22	6.4	37 pcs		22	14,030
20'			20'	2,000 lb	6.7	37	22		7.4	37	22		14,780
35'	6	2	17.5'	4,000 lb	11.6	74		44	12.8	74		44	23,920
40'			20'	4,000 lb	13.5	74	44		14.8	74	44		25,970
60'	8	3	20'	6,000 lb	20.2	111	66		22.2	111	66		39,160
70'	10	4	17.5'	8,000 lb	23.3	148		88	25.6	148		88	47,850
80'			20'	8,000 lb	26.9	148	88		29.6	148	88		52,450
					10 Foot Width				11 Foot Width				

Galvanized Side Rail Kits for the VTC190 Series

Material Number	Module Length(s)	Description (one kit needed for each module - contains contents for both sides)	List (CAD)
30319286	17.5'	Kit of parts include metal tubes, end caps, brackets, hardware and Chem Stud with capsule for mounting	1,300
30319363	20'		1,390

Freight  
Four VTC19X modules to assemble into a 70' concrete deck scale. Single module dimensions are approximately 143" x 35" x 24". >

Side Rails  
Each side channel has side rail mounting holes that can be taped during the concrete pour. >>



# Applied 7560CD Truck Scale Concrete Deck Scale



**Approvals**

NTEP COC # 88-243A4, temperature code: T4  
 Hazardous Area: Division 2 / Zone 2/22 for POWERCELL® PDX® with IND780  
 POWERCELL MTX - Hazardous Area Protection Class I, II, III; Division 1 & 2;  
 Groups C, D, E, F, & G  
 Measurement Canada Approval #SWA-4194

**Standard Features**

Five year 7560 scale weighbridge warranty  
 60,000 lb Concentrated Load Capacity (CLC)  
 Factory assembled module(s)  
 11.5 in profile, top of deck to bottom base plate  
 3 in minimum clearance under scale  
 55,000 lb (25t) POWERCELL MTX load cells  
 Strikeshield™ Lightning Protection System  
 Base plates, installation KOP, and anchor bolts  
 Above ground or pit installation  
 3 sets of drawings (additional drawing sets or PE stamp extra)  
 10' and 11' width decks

**Options**

See Vehicle Scale Customization Adders by Model chart  
 Div 1 Hazardous option  
 110,000 lb (50t) POWERCELL PDX load cells  
 Multi-Axle Scale Configurations

**Accessories**

IND560 & IND780 terminal  
 DataBridge SS or DataBridge MS vehicle scale  
 management software  
 Remote Display  
 Home run cable  
 Locating tools

**Notes**

These prices do not include indicator, printer, tickets, foundation coping, foundation reinforcing steel, home run cable, freight, or installation. Capacity based on trucks with axle configurations approved for highway use. It does not apply to forklift trucks or other off-highway vehicles. Consult METTLER TOLEDO for these applications.  
 Required clearance under scale may vary. Confirm requirement with local Weights and Measures.



7560 Cross Section

**Foundation Prints**

Size	Variable Footer	Beam Slab	Pit
10' x 11'	TC201550	TC201551	TC201552
15' x 11'	TC201553	TC201554	TC201555
35' x 11'	TC201556	TC201557	TC201558
45' x 11'	TC201559	TC201560	TC201561
60' x 11'	TC201562	TC201563	TC201564
70' x 11'	TC201565	TC201566	TC201567
75' x 11'	TC201568	TC201569	TC201570
80' x 11'	TC201571	TC201572	TC201573
87.5' x 11'	TC201574	TC201575	TC201576
100' x 11'	TC201577	TC201578	TC201579
105' x 11'	TC201580	TC303793	TC203683
110' x 11'	TC201581		
122.5' x 11'	TC201582	TC203679	TC203680
60' x 10'	TC202146	TC202145	TC202147
70' x 10'	TC202149	TC202148	TC202150

## 7560CD Series Concrete Pricing

Material Number	Material Description	List Price (CAD)
30456327	Truck Scale 7560CD POWERCELL GDD Standard	1
30456629	Truck Scale 7560CD POWERCELL PDX Standard	1

**Model 7560 Scales are now available in the VEH Configurator.**

Total Scale Length	Qty Load Cells	Qty Mods	Module Length	Estimated Shipping Weight	List Price (CAD)	
					7560CD (GDD) 30456327	7560CD (PDX) 30456629
10'	4	1	10'	2,300 lb	14,030	16,750
15'			15'	3,400 lb	18,180	20,900
17.5'			17.5'	3,900 lb	19,530	22,250
30'	6	2	15'	6,500 lb	31,720	35,800
35'			17.5'	7,500 lb	33,070	37,150
45'	8	3	15'	9,500 lb	39,660	45,100
52.5'			17.5'	11,000 lb	45,560	51,000
60'	10	4	15'	12,600 lb	51,200	58,000
70'			17.5'	14,600 lb	55,850	62,650
80'	12	5	3- 15', 2- 17.5'	16,800 lb	67,040	75,200
87.5'			17.5'	18,200 lb	69,340	77,500
90'	14	6	15'	18,700 lb	71,380	80,900
100'			2- 15', 4- 17.5'	20,900 lb	84,130	93,650
105'		6	17.5'	21,700 lb	89,230	98,750
122.5'	16	7	17.5''	25,300 lb	96,320	107,200

If a POWERCELL MTX scale is required, contact Application Support for a custom quote. Pricing will be the same as the PDX listed price. These prices do not include indicator, printer, tickets, foundation coping, foundation reinforcing steel, home run cable, freight, or installation. Capacity based on trucks with axle configurations approved for highway use. It does not apply to forklift trucks or other off-highway vehicles. Consult METTLER TOLEDO for these applications. Required clearance under scale may vary. Confirm requirement with local Weights and Measures.

### 7560MD\* Multi-Axle Weighbridges

PDX Order Number	MTX Order Number	Legacy Reference Number	Length ST	Length DR	Length TR	Scale Length	Scale Width	Load Cells	Qty Mods	Compatible Terminal	Shipping Weight	List Price (CAD)
Call for custom quote on Material ID 61806956	61024186	7560MD7735E	17.5'	17.5'	35'	71'4.5"	11'	14	4	IND780*	15,300 lb	93,600
	61024175	7560MD5545E	15'	15'	45'	76'3"		16	5		16,300 lb	107,300
	69034392	7560MD5745E		17.5'		78'9"					16,800 lb	109,500
	61024189	7560MD7745E	17.5'	17.5'	81'3"	17,300 lb		110,600				

ST - steering axle DR - drive axle TR - trailer

Consult factory for additional configurations

\* Multi-Axle scales require use of IND780 Terminal

# Applied 7531 Truck Scale

## Concrete Deck Above Ground



**Approvals**

NTEP COC # 92-204A3, temperature code: T4  
 Hazardous Area: Division 2 / Zone 2/22 for POWERCELL® PDX® with IND780  
 POWERCELL MTX - Hazardous Area Protection Class I, II, III; Division 1 & 2;  
 Groups C, D, E, F, & G  
 Measurement Canada Approval #AM-4900



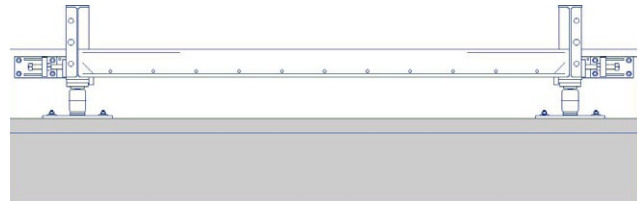
**Standard Features**

Five year 7531 scale weighbridge warranty  
 60,000 lb Concentrated Load Capacity (CLC)  
 Bolt-together weigh bridge modules  
 55,000 lb (25t) POWERCELL MTX load cells  
 Strikeshield™ Lightning Protection System  
 Approximate side rail height is 12"  
 19.5" profile, top of deck to bottom of base plate  
 11" minimum clearance under scale  
 Strikeshield™ Lightning Protection System  
 Base plates, installation KOP, and anchor bolts  
 3 sets of drawings (additional drawing sets or PE stamp extra)  
 10' and 11' width decks



**Options**

See Vehicle Scale Customization Adders by Model chart  
 Div 1 Hazardous option  
 110,000 lb (50t) POWERCELL PDX load cells



7531 Cross Section

**Accessories**

IND246 (PDX), IND560 (PDX), IND780 (MTX or PDX) terminals  
 DataBridge SS or DataBridge MS vehicle scale management software

**Use 61806967 to order any version of 7531 with PDX (specify length and width)**

**Notes**

These prices do not include indicator, printer, tickets, foundation coping, foundation reinforcing steel, home run cable, freight, or installation.  
 Capacity based on trucks with axle configurations approved for highway use. It does not apply to forklift trucks or other off-highway vehicles. Consult METTLER TOLEDO for these applications.  
 Required clearance under scale may vary. Confirm requirement with local Weights and Measures.

**Foundation Prints**

Size	Variable Footer	Beam Slab
10' x 10'	TC203898	---
12' x 10'	TC203899	---
20' x 10'	TC203636	---
25' x 10'	TC203637	---
40' x 10'	TC203638	TC206871
50' x 10'	TC203639	TC203876
60' x 10'	TC203640	TC203130
70' x 10'	TC203641	TC203795
80' x 10'	TC203642	TC203877
90' x 10'	TC203900	---
100' x 10'	TC204322	---
110' x 10'	TC204153	---
120' x 10'	---	---

Size	Variable Footer	Beam Slab
10' x 11'	TC203901	---
12' x 11'	TC203902	---
20' x 11'	TC203643	TC207229
25' x 11'	TC203644	TC203231
40' x 11'	TC203675	---
50' x 11'	TC203646	---
60' x 11'	TC203647	TC204458
70' x 11'	TC203648	TC203672
80' x 11'	TC203649	TC203673
90' x 11'	TC203903	TC205304
100' x 11'	TC204321	---
111' x 11'	---	---
120' x 11'	TC204439	---

## 7531 Truck Scale

### 7531 Weighbridges

PDX Order Number	MTX Order Number	Legacy Reference Number	Length	Width	Options	Load Cells	Qty Mods	Module Length	Compatible Terminal	Shipping Weight	List Price (CAD)
Call for custom quote on Material ID 61806967	*	7531KD1011BR	10'	11'	See Customization chart below	4	1	10'	IND780 for MTX	3,100 lb	20,500
	*	7531KD1211BR	12'					12'		3,300 lb	20,800
	69034276	7531KD2011BR	20'					20'		4,300 lb	21,580
	69034278	7531KD2511BR	25'					25'		5,000 lb	22,530
	69034281	7531KD4011BR	40'			6	2	20'	8,000 lb	36,920	
	61024089	7531KD5011BR	50'					25'	9,400 lb	39,360	
	61024090	7531KD6011BR	60'			8	3	20'	IND780, IND560 and IND246 for PDX	11,700 lb	54,800
	61024092	7531KD7011BR	70'					2-25' 1-20'		13,100 lb	57,300
	69034291	7531KD8011BR	80'			10	4	20'	15,300 lb	68,200	
	69034293	7531KD9011BR	90'					2-25' 2-20'	16,700 lb	71,000	
	69034266	7531KD1001BR	100'			12	5	20'	19,000 lb	82,100	
	69034270	7531KD1101BR	110'					2-25' 3-20'	20,400 lb	86,500	
	61024086	7531KD1201BR	120'			14	6	20'	22,700 lb	97,400	

Order Numbers listed above apply to legacy POWERCELL MTX scales. POWERCELL PDX Order Numbers will be assigned using Material Number 61806967, at the same prices listed above, after placement of order.

### 7531 Width Customizations (use Order Number 61806967)

Order Number	Legacy Reference Number	Description	List Price (USD) per Module
*	Engineer to Order	11' 10" or 12' module widths	840
*	Engineer to Order	14' module width	1,780

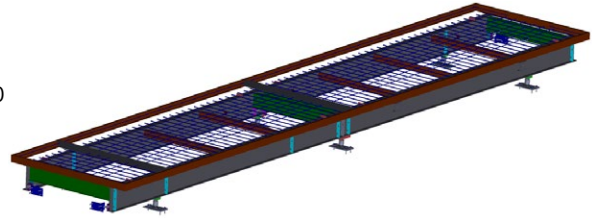
For configurations with lengths and widths not shown here, or POWERCELL PDX load cells please email [ind-customquote-requests@mt.com](mailto:ind-customquote-requests@mt.com) or call for a non-standard make to order quote; (614) 985-5296.

# Applied 7541 Truck Scale Concrete Deck Pit Scale



**Approvals**

NTEP COC # 92-046A5, temperature code: T4  
 Hazardous Area: Division 2 / Zone 2/22 for POWERCELL® PDX® with IND780  
 POWERCELL MTX - Hazardous Area Protection Class I, II, III; Division 1 & 2;  
 Groups C, D, E, F, & G  
 Measurement Canada Approval #AM-4900



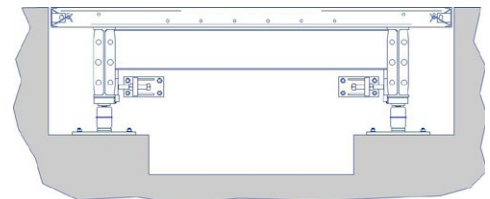
**Standard Features**

Five year 7541 scale weighbridge warranty  
 60,000 lb Concentrated Load Capacity (CLC)  
 6" Concrete deck  
 Weigh Bridge module(s) and 6" deck channel  
 55,000 lb (25t) POWERCELL MTX load cells  
 Strikeshield™ Lightning Protection System  
 Base plates, installation KOP, and anchor bolts  
 Manholes (1 for 10 ft - 25 ft, 2 for 40 ft to 100 ft scales)  
 3 sets of drawings (additional drawing sets or PE stamp extra)  
 10' and 11' width decks



**Options**

See Vehicle Scale Customization Adders by Model chart  
 Div 1 Hazardous option  
 110,000 lb (50t) POWERCELL PDX load cells  
 Michigan Adder (MA) 60k CLC, 8 inch concrete deck



7541 Cross Section

**Accessories**

IND246 (PDX), IND560 (PDX) and IND780 (MTX or PDX) terminals  
 DataBridge SS vehicle scale management software  
 Remote Display  
 Home run cable  
 Locating tools

Use 61806968 to order any version of 7541 with PDX (specify length and width)

**Notes**

These prices do not include indicator, printer, tickets, foundation coping, foundation reinforcing steel, home run cable, freight, or installation.  
 Capacity based on trucks with axle configurations approved for highway use. It does not apply to forklift trucks or other off-highway vehicles. Consult METTLER TOLEDO for these applications.  
 Required clearance under scale may vary. Confirm requirement with local Weights and Measures.

**Foundation Prints**

Size	Standard Pit	Deep Pit	Size	Standard Pit	Deep Pit
10' x 10'	TC202650	TC202942	80' x 10'	TC201540	TC201636
12' x 10'	TC302470	TC201632	90' x 10'	TC308588	---
20' x 10'	TC201633	TC201634	100' x 10'	TC201957	---
25' x 10'	TC202995	---	110' x 10'	---	TC306456
40' x 10'	TC201635	TC302108	120' x 10'	---	---
50' x 10'	TC203600	---	60' x 10' MA	TC201802	---
60' x 10'	TC200806	TC201363	70' x 10' MA	TC201362	TC309066
70' x 10'	TC200799	TC201208	80' x 10' MA	TC202969	---

## 7541 Truck Scale

### 7541 Weighbridges

MTX Order Number	Legacy Reference Number	Length	Width	Options	Load Cells	Qty Mods	Module Length	Compatible Terminal	Shipping Weight	List Price (CAD)
*	7541CD1010AR	10'	10'	Standard	4	1	10'	IND780 for MTX	3000 lb	call
*	7541CD1210AR	12'					12'		3200 lb	call
*	7541CD2010AR	20'					20'		4200 lb	call
*	7541CD2510AR	25'					25'		4900 lb	call
69034303	7541CD4010AR	40'			6	2	20'		7800 lb	38,880
*	7541CD5010AR	50'			8	3	25'		9200 lb	call
61024119	7541CD6010AR	60'			2-25' 1-20'	IND780, IND560 and IND246 for PDX	11,400 lb		54,500	
61024121	7541CD7010AR	70'					12,800 lb		58,300	
69034307	7541CD8010AR	80'			10	4	20'		14,900 lb	71,700
61024122	7541CD9010AR	90'			2-25' 2-20'	IND246 for PDX	16,300 lb		77,100	
*	7541CD1000AR	100'					18,500 lb		call	
*	7541CD1100AR	110'			12	5	20'		19,900 lb	call
*	7541CD1200AR	120'			2-25' 3-20'		22,100 lb		call	
							14		6	20'

### 7541 Weighbridge Customization (use Order Number 61806969)

Order Number	Legacy Reference Number	Description	List Price (USD) per Module
*	Engineer to Order	11' 10" or 12' Module widths	840
*	Engineer to Order	14' Module widths	1,780
*	Engineer to Order	60k CLC Michigan Adder / Michigan Vehicle W24 X 62 Main Beams 8" Thick Concrete Deck	1,860

For configurations with lengths and widths not shown here, or POWERCELL PDX load cells please email [ind-customquote-requests@mt.com](mailto:ind-customquote-requests@mt.com) or call for a non-standard make to order quote; (614) 985-5296.

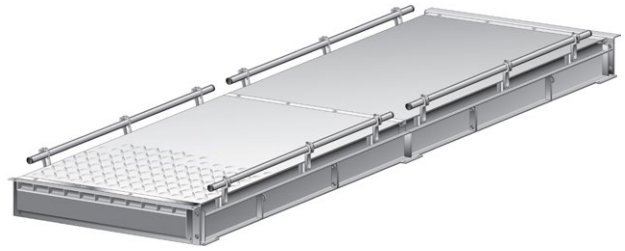
# Portability Options

## VTS231 Premium Portable Scale

For more frequent, faster, easy relocation

### Standard Features

35', 40', 70', 80' Lengths  
 10' Widths (11' Optional)  
 24" Profile POWERCELL PDX Load Cells Standard  
 Side Rails Optional (ETO)



### Notes

35' or 40' fully assembled sections with two bulkheads  
 Includes assembled scale and portable frame  
 Each 35' or 40' section is lifted together  
 Side Rail and multi-axle configuration options

### VTS231 Full Portable Scale

Order Number 61806963	Size	Sections	Quantity Load Cells	Quantity Modules	Shipping Weight (lb)	List Price (CAD)
*	35' x 10'	1	6	2	18,000	60,300
*	40' x 10'	1	6	2	20,000	67,400
61045373	70' x 10'	2	12	4	36,000	110,000
*	80' x 10'	2	12	4	40,000	123,700

\* These are Customizations - Order Numbers will be assigned after placement of order.

## VTS10X, VTS23X, 7560SD Basic Portability Option

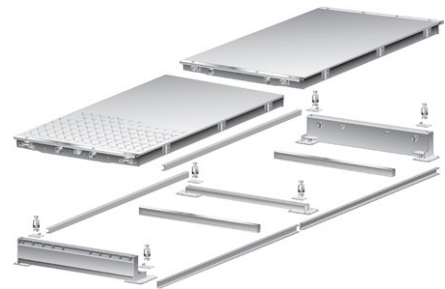
Lower cost, ideal for less frequent moves

### Standard Features

Available in VTS100, VTS101, VTS231, 7560SD Standard Scale Sizes 10' - 120'  
 9'10, 10', 11' widths

### Notes

Bolt together on site  
 Scale priced separate from the Steel-Frame Foundation  
 Includes two bulkheads  
 Profile heights: VTS10X - 23", VTS23X - 21", 7560SD - 18"



Order Number 30085290	Size	Scale Type	Module Sizes	Shipping Weight (lb)	List Price (CAD)
*	1 Module	VTS10X, VTS23X, 7560SD	17.5', 20', 23'	2,311	15,100
*	2 Modules	VTS10X, VTS23X, 7560SD	17.5', 20', 23'	3,347	18,900
*	3 Modules	VTS10X, VTS23X, 7560SD	17.5', 20', 23'	4,258	22,100
*	4 Modules	VTS10X, VTS23X, 7560SD	17.5', 20', 23'	5,169	25,900
*	5 Modules	VTS10X, VTS23X, 7560SD	17.5', 20', 23'	6,080	30,100

\* These are Customizations - Order Numbers will be assigned after placement of order. For additional custom sizes please call for a quote.

### VTS100, VTS101, VTS231 Basic Portability Options (Brackets are required to install)

Order Number 30085290	Size	Scale Type	List Price (CAD)
*	Per module	Factory welded brackets on both sides of mod	445
61035970	Side Rail Kit 17.5'	Per 17.5' mod - 3-Post Design	1,200
61035971	Side Rail Kit 20'	Per 20' mod - 3-Post Design	1,260
61037360	Side Rail Kit 23'	Per 23' mod - 3-Post Design	1,600



# Side Rails

## Side Rail Brackets, Side Rail Kits

### Standard Features

Available for the following models: 7560SD, 7563, VTS100, VTS101, VTS231, 7560, VTC221, VTC100, and VTC101

Pipe: 3 1/2" schedule 40 pipe (3-1/2" nominal)

Support arm: Made from 1/4" ASTM A-36 plate

Nominal height from top of side rail to deck surface: Standard: 10.5" ± 1" Extended Height: 26.5" ± 1"

Galvanized finish: ASTM A123 (both the pipe and support)

End caps: Black polyethylene



### Notes

Both Side Rail Brackets and Side Rail Kits must be ordered to install side rails

#### Ordering Side Rail Brackets

For new scale orders - add "S" to the Options configurator when ordering the scale for the brackets to be factory welded to the scale. For new scales use bracket pricing from the Option section for the new truck scale. Pricing for brackets below is only for field welded bracket kits.

For existing scales in the field - order the side rail brackets for field welding kit below

### Side Rail Mount for Field Welding

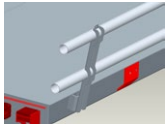
Order Number	Legacy Reference Number	Description	List Price (CAD)
61024671	TC201160-13	Unpainted Side Rail mount for field welding - Steel Deck Scales, price per bracket (6 brackets required for each 15', 17.5', 20' module; 8 brackets required for each 23' module)	148
68004278	TC201160-1	Unpainted Side Rail mount for field welding - Concrete Deck Scales, price per bracket (6 brackets required for each 15', 17.5', 20' module; 8 brackets required for each 23' module)"	140
30098438		Galvanized Side Rail Brackets for Portable Scale, price per bracket (6 brackets required for each 15', 17.5', 20' module; 8 brackets required for each 23' module)"	call

### Two Side Rail Kits - Single Pipe, post assemblies and end caps (side rail mount required to install)

Order Number	Legacy Reference Number	Description	List Price (CAD)
61041433	TC204907-10	Side Rail Kit - per 10' Modules - 3-Post Design - 2 side	1,145
61035969	TC204907-15	Side Rail Kit - per 15' Modules - 3-Post Design - 2 side	1,275
61035970	TC204907-17	Side Rail Kit - per 17.5' Modules - 3-Post Design - 2 side	1,385
61035971	TC204907-20	Side Rail Kit - per 20' Modules - 3-Post Design - 2 side	1,495
61037360	TC204907-23	Side Rail Kit - per 23' Modules - 4-Post Design - 2 side	1,910

### Side Rail Kit - Per Module, One Side, No Pipe (bracket required to install)

Order Number	Legacy Reference Number	Description	List Price (CAD)
61037958	TC204907-N3	3-Post Side Rail Kit without Pipe - per 15', 17.5', 20' and old 23' Modules	402
61038035	TC204907-N4	4-Post Side Rail Kit without Pipe - per newer 23'4" Modules	495



## Extended Height Side Rail Kits

### Dual pipe, post assemblies and end caps (bracket required to install) - Two Side

Order Number	Legacy Reference Number	Description	List Price (CAD)
Call	TC204907-15D	Extended Height Side Rail Kit - per 15' Modules - 3-Post Design	2,300
30091961	TC204907-17D	Extended Height Side Rail Kit - per 17.5' Modules - 3-Post Design	2,510
61045287	TC204907-20D	Extended Height Side Rail Kit - per 20' Modules - 3-Post Design	2,890
61045288	TC204907-23D	Extended Height Side Rail Kit - per 23' Modules - 4-Post Design	3,575

### Single Pipe with 1 Set of Hardware (bracket required to install)

Extended side rail upgrade kit includes a dual bracket, single pipe, and 1 set of hardware. Use of existing Mettler Toledo side rail assembly (pipe and hardware) is necessary to complete an extended side rail assembly with this upgrade.

Order Number	Legacy Reference Number	Description	List Price (CAD)
Call	TC204907-15D1	Extended Height Side Rail Upgrade Kit - per 15' Modules - 3-Post Design	call
30224532	TC204907-17D1	Extended Height Side Rail Upgrade Kit - per 17.5' Modules - 3-Post Design	call
Call	TC204907-20D1	Extended Height Side Rail Upgrade Kit - per 20' Modules - 3-Post Design	call
Call	TC204907-23D1	Extended Height Side Rail Upgrade Kit - per 23' Modules - 4-Post Design	call

### One Side, Side Rail Kit

Order Number	Legacy Reference Number	Description	List Price (CAD)
61037665		Side Rail Kit Galvanized 15' 1 Side - 3 Post Design	655
61037432		Side Rail Kit Galvanized 17.5' 1 Side - 3 Post Design	720
61036743		Side Rail Kit Galvanized 20' 1 Side - 3 Post Design	1,275
61039882		Side Rail Kit Galvanized 23' 1 Side - 4 Post Design	1,000

### Accessories

Order Number	Legacy Reference Number	Description	List Price (CAD)
61043158	TN207502	Touch-up paint (spray can)	50

Applied

**VKR211****POWERCELL® PDX® Load Cells****Vehicle Scale Conversion Kit****Approvals**

NTEP COC # 08-090

Hazardous Area: Division 2 SLC820 for POWERCELL® PDX® with IND780

NTEP COC 98-031

**Conversion Kit Includes**

Ten (10) year PDX Load Cell System Warranty

1 10,000 lb (50t) POWERCELL PDX load cell

Stainless Steel interconnecting Sheathed Cable - (2) 5m and (x) 12m cables  
based on number of load cells in system

Installation KOP

Top and Bottom Receivers

Lightning Protection Kit

Top and Bottom Epoxy Painted Base Plates

3 sets of drawings (additional drawing sets or PE stamp extra)

See Drawing 61806717 for dimensions and contents

**Options**

Service or Riser Base Plates

Custom top and/or bottom base plates

Custom Cable Lengths

**Accessories**

IND246 can power up to 12 PDX load cells,

IND560 up to 14 load cells,

IND780 up to 14 load cells &amp; 24 load cells with external power supply.

PDX Home run cable

PDX Locating tools

Remote Display

**Notes**

These prices do not include anchor bolts, mounting hardware, indicator, printer, tickets, foundation coping, foundation reinforcing steel, home run cable, freight, or installation.

Neither the nominal nor the sectional capacity of a scale is changed by this conversion. Mettler-Toledo, LLC is not responsible for direct or consequential damages resulting from misapplication of this product

**Application Considerations****Warranty Clarifications**

This product is intended for use under existing "I-Beam" weighbridges or converting load cell technology in existing weighbridges. METTLER TOLEDO's warranty is void if a VKR211 Conversion Kit is incorporated into newly constructed weighbridges.

The 10 year Warranty coverage only applies to components supplied with the VKR211 kit and does not extend to the existing weighbridge or existing instrument.

**Capacity**

Gross, Tandem Axle, or CLC capacity ratings are not increased by incorporating a VKR211 Conversion Kit.

**Weights and Measures Regulations**

Conversions are not addressed in the NIST handbooks. Approval is the responsibility of local Weights and Measures officials. Please obtain written approval from local authorities prior to beginning a conversion project.

**Responsibility**

METTLER TOLEDO:

Type approved components

Application documentation

Others:

Suitability of weighbridge

Suitability of foundation

Foundation modification

Spacer plates

Checking considerations

Locating tools

Approvals



**10yr PDX  
Warranty**

## VKR211 Conversion Kit

### VKR211 Order Number

Order Number	Legacy Reference Number	Conversion Kit Type	Number of Load Cells	Capacity	Shipping Weight	List Price (CAD)
61043728	VKR211-50A04D	Standard Conversion	4	50t POWERCELL PDX	400 lb	16,060
61043729	VKR211-50A06D		6		600 lb	17,360
61043730	VKR211-50A08D		8		800 lb	23,590
61043731	VKR211-50A10D		10		1000 lb	29,880
61043732	VKR211-50A12D		12		1200 lb	35,550
61045039	VKR211-50A14D		14		1400 lb	call
61046895	VKR211-90A04D	Standard Conversion	4	90t POWERCELL PDX	400 lb	call
61046894	VKR211-90A06D		6		600 lb	call
61046891	VKR211-90A08D		8		800 lb	55,100
61046892	VKR211-90A10D		10		1000 lb	call
61046893	VKR211-90A12D		12		1200 lb	call

### VKR211 Options

Order Number	Legacy Reference Number	Description	List Price (CAD)
*	Engineer to Order	Base plate upgrade adder per loadcell - 1 1/2" riser	325
*	Engineer to Order	Base plate upgrade adder per loadcell - 3" riser	365
*	Engineer to Order	Base plate upgrade adder per loadcell - 6" riser	410
*	Engineer to Order	Fairbanks Type "S" - Lever Conversion Available	call
*	Engineer to Order	Toledo CapCheck - Conversion Available*	call

\* Toledo CapCheck conversion requires new checking kit 61024719

### VKR211 Accessories

Order Number	Legacy Reference Number	Description	List Price (CAD)
61024719	TC600234	Bumper Checking Kit (Truck Scales with I-Beams or Cap Check load cells) page 456	3,440
Call		Check Rod Reference Drawing number TC600263 (22.5t/25t/45t only)	call
61024720	TC600263-1	Longitudinal Check Rod Kit (one required per scale)	3,345
61024721	TC600263-2	Lateral Check Rod Kit (one required per section)	2,725
61043496	TN000235	Termination Resistor with Boot PDX	202

# Applied VKR211 Competitive Conversion Kits

## NTEP Approved and Metrological Equivalents



### Upgrades to POWERCELL PDX

#### Approvals

NTEP COC # 08-090  
 Hazardous Area: Division 2 SLC820 for POWERCELL® PDX® with IND780  
 NTEP COC 98-031

#### Applications

VKR211 Competitive Conversion Kits are for upgrading inaccurate and unreliable weighbridges to POWERCELL PDX  
 For conversion kits for other competitive models, not listed below, please call for a custom quote  
 Additional parts or checking may be required to complete installation

#### Competitive Conversion Kit Includes

Ten (10) year PDX Load Cell System Warranty  
 110,000 lb (50t) POWERCELL PDX load cell  
 Stainless Steel Sheathed Cables  
 Installation KOP  
 Custom Competitive Hardware  
 Lightning protection kit

#### Options

Service or Riser Base Plates  
 Custom Plates  
 Checking Kits

#### Accessories

IND246 can power up to 12 PDX load cells,  
 IND560 up to 14 load cells,  
 IND780 up to 14 load cells & 24 load cells with external power supply.  
 PDX Home run cable  
 PDX Locating tools  
 Remote Display



**10yr PDX  
 Warranty**

### Emery Winslow

#### Conversion to POWERCELL PDX

Convert Emery Winslow Hydraulic  
 Metrological Equivalent  
 Drawing # TC209341

### Fairbanks® RC1

#### Conversion to POWERCELL PDX

Convert Fairbanks Analog RC1 analog  
 Metrological Equivalent  
 Drawing # TB209340

### B-TEK

#### Conversion to POWERCELL PDX

Convert B-TEK CPD-M/CPR-M load cells  
 Metrological Equivalent  
 Drawing #TC209342

### Cardinal

#### Conversion to POWERCELL PDX

Convert Cardinal Hydraulic  
 Metrological Equivalent  
 Drawing # TC209341 (ETO)

### Toledo CapCheck

#### Conversion to POWERCELL PDX

Convert 50K and 100K  
 Metrological Equivalent  
 Drawing #TN315628 (50K)  
 Drawing #TC600425 (100K)

### Webster Scales

#### Conversion to POWERCELL PDX

Convert mechanical levers  
 NTEP Approved  
 CoC# 16-099 Standard Conversion

### Rice Lake

#### Conversion to POWERCELL PDX

Convert models Survivor OTR Steel,  
 Concrete, & ATV  
 NTEP Approved  
 Drawing #61807986

### Fairbanks® Type S Lever

#### Conversion to POWERCELL PDX

Convert model Type S Lever  
 NTEP Approved  
 Drawing #TC316641 (ETO)

### Avery Weigh-Tronix

#### Conversion to POWERCELL PDX

Convert models FCTS  
 NTEP Approved  
 Drawing #61807828

**Weigh-Tronix BMS/BMC Conversions  
 available but not NTEP approved.**

#### Weights and Measures Regulations

Conversions are not addressed in the NIST handbooks. Approval is the responsibility of local Weights and Measures officials. Please obtain written approval from local authorities prior to beginning a conversion project.

## VKR211 Competitive Conversion Kits

### Emery Winslow Conversion to POWERCELL PDX

Order Number	Legacy Reference Number	Conversion Kit Type	Number of Load Cells	Capacity	Shipping Weight	List Price (CAD)
61046384	VKR211-50EW04	Competitive Conversion	4	50t POWERCELL PDX	400 lb	16,060
61046385	VKR211-50EW06		6		600 lb	17,360
61046386	VKR211-50EW08		8		800 lb	23,590
61046387	VKR211-50EW10		10		1000 lb	29,880
61046388	VKR211-50EW12		12		1200 lb	35,550

### Fairbanks® RC1 Conversion to POWERCELL PDX

Order Number	Legacy Reference Number	Conversion Kit Type	Number of Load Cells	Capacity	Shipping Weight	List Price (CAD)
61046367	VKR211-50F04	Competitive Conversion	4	50t POWERCELL PDX	400 lb	16,060
61046366	VKR211-50F06		6		600 lb	17,360
61046365	VKR211-50F08		8		800 lb	23,590
61046364	VKR211-50F10		10		1000 lb	29,880
61046363	VKR211-50F12		12		1200 lb	35,550

### B-TEK Conversion to POWERCELL PDX

Order Number	Legacy Reference Number	Conversion Kit Type	Number of Load Cells	Capacity	Shipping Weight	List Price (CAD)
61046373	VKR211-50B04	Competitive Conversion	4	50t POWERCELL PDX	400 lb	16,060
61046372	VKR211-50B06		6		600 lb	17,360
61046370	VKR211-50B08		8		800 lb	23,590
61046369	VKR211-50B10		10		1000 lb	29,880
61046368	VKR211-50B12		12		1200 lb	35,550

### Rice Lake OTR to POWERCELL PDX

Order Number	Description	Conversion Kit Type	Number of Load Cells	Capacity	Shipping Weight	List Price (CAD)
30232608	VKR211 04 50T RL	Competitive Conversion	4	50t POWERCELL PDX	400 lb	16,060
30232609	VKR211 06 50T RL		6		600 lb	17,360
30232610	VKR211 08 50T RL		8		800 lb	23,590
30232611	VKR211 10 50T RL		10		1000 lb	29,880
30232612	VKR211 12 50T RL		12		1200 lb	35,550

### Avery Weigh-Tronix FCTS Conversion to POWERCELL PDX

Order Number	Description	Conversion Kit Type	Number of Load Cells	Capacity	Shipping Weight	List Price (CAD)
30235286	VKR211 04 50T WT FCTS	Competitive Conversion	4	50t POWERCELL PDX	400 lb	16,060
30235287	VKR211 06 50T WT FCTS		6		600 lb	17,360
30235288	VKR211 08 50T WT FCTS		8		800 lb	23,590
30235289	VKR211 10 50T WT FCTS		10		1000 lb	29,880
30235360	VKR211 12 50T WT FCTS		12		1200 lb	35,550

# Applied VKR211 Upgrade Kits

## POWERCELL® PDX® Load Cells



### Vehicle Scale Load Cell Upgrade Kits

#### Approvals

NTEP COC # 08-090  
 Hazardous Area: Division 2 / Zone 2/22 for POWERCELL® PDX® with IND780  
 NTEP COC 98-031

#### Applications

VKR211 upgrade kits are for upgrading NMOS, CMOS, or MTX POWERCELLS\*\*\*  
 Kits components install into existing METTLER TOLEDO scales to update the load cell technology to POWERCELL PDX  
 See Drawing 61806716 for kit details

#### Standard Features

Ten year PDX Load Cell System Warranty  
 110,000 lb (50t) POWERCELL PDX load cell  
 Stainless Steel Sheathed Cable - (2) 5m and (x) 12m cables based on number of load cells in system  
 Installation KOP  
 Top and Bottom Retrofit Receivers

#### Options

Lightning protection kit (see notes below)  
 Replacement Base Plates (MTX style) - standard, service or riser  
 Hardened Receivers for Rail Scale installations

#### Accessories

IND246 can power up to 12 PDX load cells,  
 IND560 up to 14 load cells,  
 IND780 up to 14 load cells & 24 load cells with external power supply.  
 PDX home run cables page 450  
 PDX Locating tools page 447  
 Remote Display

#### Notes

LPO kit is not included in the Upgrade VKR211 kit since the existing system should have a functioning LPO kit in place. LPO kits are included with VKR211 Conversion Kits.  
 If existing LPO parts are not in good condition, TC100884-X parts will need to be installed to maintain kit warranty.  
 Not available for Division 1 applications.  
 Acceptable for rail upgrades when stainless steel receiver approved by railroad.



#### VKR211 Upgrade Kits for existing METTLER TOLEDO POWERCELL Installations with 50k Receivers (22.5 & 25t POWERCELLS)

Order Number	Legacy Reference Number	Capacity	Number of Modules	Number of Load Cells	Upgrades MT Model	Shipping Weight	List Price (CAD)
61043738	VKR211-50M04D	50t POWERCELL PDX	1	4	7560/7560SD	100 lb	16,060
61043739	VKR211-50M06D		2	6	7461* Digital 7562	150 lb	17,360
61043740	VKR211-50M08D		3	8	7531	200 lb	23,590
61043741	VKR211-50M10D		4	10	7541 (Non-State DOT)	250 lb	29,880
61043742	VKR211-50M12D		5	12	VTC210	300 lb	35,550
61044274	VKR211-50M14D		6	14		350 lb	41,790
61806976**	VKR211-50M16D		7	16****		400 lb	call

Note: Please call for upgrade kits for other METTLER TOLEDO models. Please provide the following information about the existing model - serial number, scale length and width, and date installed.

\* Applies to 7461 with MTX cells only. For Analog, call for application requirements

\*\* Custom quote required

\*\*\* When upgrading an IND780 with a VEH bundle to PDX, the Drive Button will no longer work and the PDX Button must be purchased

\*\*\*\* Requires IND780 with auxiliary power supply

**VKR211 Upgrade Kits for Existing METTLER TOLEDO POWERCELL Installations with 100k SS Receivers (45t POWERCELLS)**

Order Number	Description	Capacity	Number of Modules	Number of Load Cells	Upgrades MT Model	Shipping Weight	List Price (CAD)
30228940	Vehicle Scale Kit VKR211 04 50T U 100k	50t POWER-CELL PDX	1	4	7260*, 7360*, 7566, 7541 State DOT	100 lb	16,060
30222117	Vehicle Scale Kit VKR211 06 50T U 100k		2	6		150 lb	17,360
30222118	Vehicle Scale Kit VKR211 08 50T U 100k		3	8		200 lb	23,590
30222119	Vehicle Scale Kit VKR211 10 50T U 100k		4	10		250 lb	29,880
30224530	Vehicle Scale Kit VKR211 12 50T U 100k		5	12		300 lb	35,550
30224531	Vehicle Scale Kit VKR211 14 50T U 100k		6	14		350 lb	41,790

\* 7260 & 7360 can be upgraded with these kits, but will not come standard with flame hardened receivers. Check with railroad for approval of stainless steel receivers.

**VKR211 Accessories**

Order Number	Legacy Reference Number	Description	List Price (CAD)
61043826	TC100884-10	POWERCELL PDX LPO Kit for up to 12 cells with IND780/560/246 PDX terminal	1,175
61043828	TC100884-11	POWERCELL PDX LPO Kit for more than 12 cells with IND780 PDX terminal	1,175
*	Engineer to Order	Substitute Hardened 100k Receivers for Rail Scale installations (upper and lower)	call
*	Engineer to Order	Replacement Baseplates with Kit	call
61043827	TC100884X10	Lightning Kit 120V Dig LTE12LC No Rod 3N	555

\* Price per load cell

**For configurations with load cell quantities not shown here, please email [ind-customquote-requests@mt.com](mailto:ind-customquote-requests@mt.com) or call for a custom Engineered To Order quote; (614) 985-5296.**



# Applied VKR210 POWERCELL® MTX® Load Cells



## Vehicle Scale Conversion Kits

### Approvals

NTEP COC # 98-031, temperature code: T4  
Hazardous Area Protection Class I, II, III; Division 1 & 2; Groups C, D, E, F, & G  
Measurement Canada Approval #AM-4900

### Standard Features

Five (5) year MTX Load Cell System warranty  
Two (2) Year Lightning Protection  
POWERCELL 25/45t MTX load cell or 90t POWERCELL  
35' Stainless Steel Sheathed Cable  
Stainless Steel POWERCELL Junction Box(es)  
Installation KOP  
Top and Bottom Receivers  
Top and Bottom Epoxy Painted Base Plates  
3 sets of drawings (additional drawing sets or PE stamp extra)

### Options

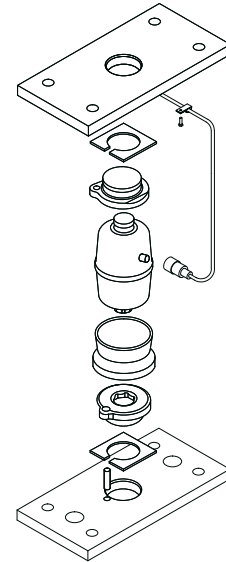
Service or Riser Base Plates  
Custom Plates  
Checking Kits

### Accessories

IND780 up to 14 load cells & 24 load cells with external power supply.  
Home run cable  
Locating tools  
Remote Display

### Notes

These prices do not include anchor bolts, mounting hardware, indicator, printer, tickets, foundation coping, foundation reinforcing steel, home run cable, freight, or installation. Neither the nominal nor the sectional capacity of a scale is changed by this conversion. Mettler-Toledo, LLC. is not responsible for direct or consequential damages resulting from misapplication of this product



**5yr MTX  
Warranty**

## Application Considerations

### Warranty Clarifications

This product is intended for use under existing "I-Beam" weighbridges or converting load cell technology in existing weighbridges. METTLER TOLEDO's warranty is void if a VKR210 Conversion Kit is incorporated into newly constructed weighbridges.

The 5 year warranty coverage only applies to components supplied with the VKR210 kit and does not extend to the existing weigh bridge or existing instrument.

### Capacity

Gross, Tandem Axle, or CLC capacity ratings are not increased by incorporating a VKR210 Conversion Kit.

### Weights and Measures Regulations

Conversions are not addressed in the NIST handbooks. Approval is the responsibility of local Weights and Measures officials. Please obtain written approval from local authorities prior to beginning a conversion project.

### Responsibility

METTLER TOLEDO:  
Type approved components  
Application documentation

Others:  
Suitability of weighbridge  
Suitability of foundation  
Foundation modification  
Spacer plates  
Checking considerations  
Locating tools  
Approvals

### Reference Prints

TC207268 - Standard 25t and 45t  
TC600527 - Standard 90t  
TC600425 - Cap-Check  
Call for "S" lever conversions

### VKR210 Conversion Kits

VKR210 Order Number

Order Number	Legacy Reference Number	Conversion Kit Type	Number of Load Cells	Capacity	Quantity J-Box	Shipping Weight	List Price (CAD)
61041830	VKR210-25A04D	Standard Conversion	4	25t POWERCELL MTX	1	400 lb	11,820
61041836	VKR210-25A06D		6			600 lb	17,730
61041838	VKR210-25A08D		8		2	800 lb	23,890
61041841	VKR210-25A10D		10			1000 lb	30,520
61041843	VKR210-25A12D		12		3	1200 lb	36,810
61041855	VKR210-45A04D	Standard Conversion	4	45t POWERCELL MTX	1	440 lb	17,440
61041857	VKR210-45A06D		6			660 lb	26,270
61041859	VKR210-45A08D		8		2	880 lb	34,970
61041862	VKR210-45A10D		10			1100 lb	49,180
61041864	VKR210-45A12D		12		3	1320 lb	52,700
61041872	VKR210-90A04D	Standard Conversion	4	90t POWERCELL MTX	1	860 lb	33,370
61041873	VKR210-90A06D		6			1290 lb	45,810
61041874	VKR210-90A08D		8		2	1720 lb	64,000
61041876	VKR210-90A10D		10			2150 lb	80,800
61041878	VKR210-90A12D		12		3	2580 lb	call
61041844	VKR210-25C04D	Cap-Check Conversion	4	25t POWERCELL MTX	1	480 lb	12,170
61041845	VKR210-25C06D		6			720 lb	18,140
61041846	VKR210-25C08D		8		2	960 lb	24,440
61041848	VKR210-25C10D		10			1200 lb	31,290
61041849	VKR210-25C12D		12		3	1440 lb	37,700
61041865	VKR210-45C04D	Cap-Check Conversion	4	45t POWERCELL MTX	1	600 lb	19,200
61041866	VKR210-45C06D		6			900 lb	28,820
61041868	VKR210-45C08D		8		2	1200 lb	38,410
61041869	VKR210-45C10D		10			1500 lb	47,940
61041870	VKR210-45C12D		12		3	1800 lb	58,000
61041850	VKR210-25S04D	"S" Lever Conversion	4	25t POWERCELL MTX	1	900 lb	14,650
61041851	VKR210-25S06D		6			1350 lb	call
61041852	VKR210-25S08D		8		2	1800 lb	29,460
61041853	VKR210-25S10D		10			2250 lb	37,520
61041854	VKR210-25S12D		12		3	2700 lb	call

## VKR210 Conversion Kits

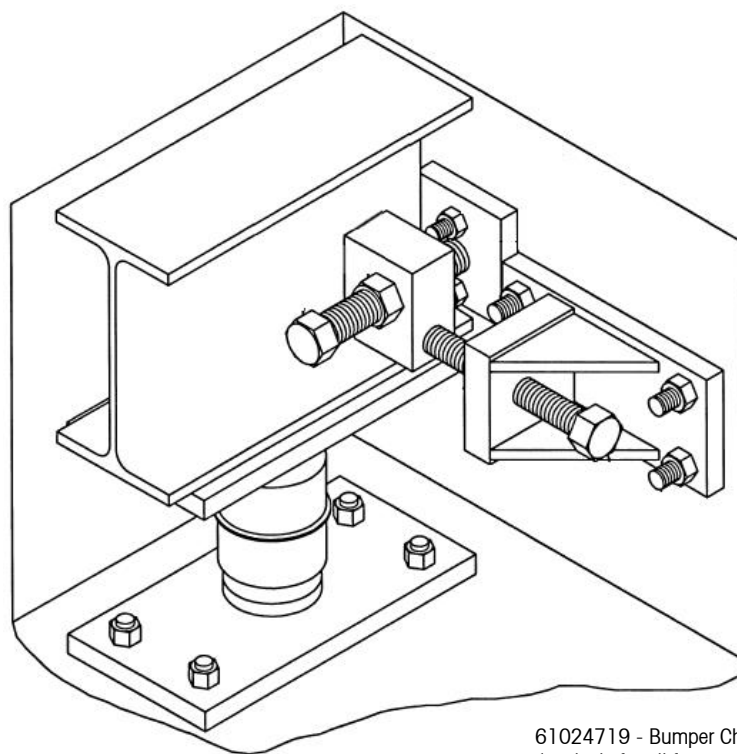
### VKR210 Options

Order Number	Legacy Reference Number	Description	List Price (CAD)
*	Engineer to Order	Base plate upgrade adder per loadcell - 3" riser (new scale orders only)	call
*	Engineer to Order	Base plate upgrade adder per loadcell - 6" riser (new scale orders only)	call

### VKR211 Accessories

Order Number	Legacy Reference Number	Description	List Price (CAD)
61024719	TC600234	Bumper Checking Kit (Truck Scales Only) - See drawing below	3,440
Call		Check Rod Reference Drawing number TC600263 (22.5t/25t/45t only)	call
61024720	TC600263-1	Longitudinal Check Rod Kit (one required per scale) - Cap Check Upgrade	3,345
61024721	TC600263-2	Lateral Check Rod Kit (one required per section) - Cap Check Upgrade	2,725

(Maximum non-hazardous cable length - 900', consult instrument technical manual for specific lengths)



61024719 - Bumper Checking Kit  
(contents for all four corners)

Applied

# VKR210 Upgrade Kits

## POWERCELL® MTX® Load Cells



### Vehicle Scale Load Cell Upgrade Kits

#### Approvals

NTEP COC # 98-031, temperature code: T4  
 Hazardous Area Protection Class I, II, III; Division 1 & 2; Groups C, D, E, F, & G  
 Measurement Canada Approval #AM-4900

#### Applications

VKR210 upgrade kits are POWERCELL load cell upgrade kits  
 Kits should be going into existing model 7560 installations to upgrade the load cell technology to POWERCELL MTX  
 For upgrade kits for other existing METTLER TOLEDO models please call for a custom quote

#### Standard Features

- Five (5) year warranty
- Two (2) Year Lightning Protection
- POWERCELL 25t MTX load cell
- Stainless Steel Sheathed Cable - (2) 33 ft, (2) 30 ft, and (x) 8 ft cables based on J-Box quantity
- Stainless Steel POWERCELL Junction Box(es)
- Installation KOP
- Junction box assemblies
- Interconnecting cables
- Top and Bottom Receivers

#### Options

- Lightning protection kit (see notes below)
- Replacement Base Plates (MTX style) - standard, service or riser
- Hardened Receivers for Rail Scale installations
- POWERCELL 45t MTX load cell

#### Notes

LPO is not included in the VKR210 upgrade kit  
 If existing LPO parts are not in good condition, TC100460-X parts will need to be installed to maintain warranty



#### VKR210 Upgrade Kits for existing 7560 Installations

Order Number	Legacy Reference Number	Capacity	Number of Modules	Number of Load Cells	Model	Quantity J-Box	Shipping Weight	List Price (CAD)
61041892	VKR210-MD-1	25t POWERCELL MTX	1	4	7560	1	440 lb	10,060
61041893	VKR210-MD-2		2	6			660 lb	14,300
61041894	VKR210-MD-3		3	8		2	880 lb	19,040
61041895	VKR210-MD-4		4	10		3	1100 lb	23,700
61041896	VKR210-MD-5		5	12		4	1320 lb	28,520

Note: Models 7562 can have 45t POWERCELLs. Please call for 7562 45t upgrade kits.

#### VKR210 Accessories

Order Number	Legacy Reference Number	Description	List Price (CAD)
68001416	TA000108	POWERCELL Load Cell Home Run Cable - 8 conductor, SS sheath, 20 gauge (per foot)	10
68004275	TC100460-10	POWERCELL LPO Kit for up to 14 cells with IND780	1,175
61024668	TC100460-11	POWERCELL LPO Kit for more than 14 cells with IND780	1,175

(Maximum non-hazardous cable length - 900', consult instrument technical manual for specific lengths)

# Accessories

## Locating Tools, Bolts and More

Order Number	Legacy Reference Number	Description	List Price (CAD)
<b>Locating Tools</b>			
61007565	TA200831	Locating Tool - 22.5t/45t POWERCELL or 25t/45t POWERCELL MTX	188
61007260	TA203072	Locating Tool - 90t POWERCELL	200
61043093	TA207484	Locating Tool - POWERCELL PDX Load Cell	188
30038533		Locating Tool - POWERCELL GDD Load Cell	154
61036662	TA204852	Locating Tool - Model 0782 Analog Load Cell	192
<b>Bolts</b>			
68004325	TN203216	Anchor Bolt ExPansion 3/4"x 5 1/2" L	21
68001416	TA000108	POWERCELL Load Cell Home Run Cable - 8 conductor, SS sheath, 20 gauge (per foot) for NMOS, CMOS and MTX POWERCELLS	10
61038288	TB100780-1	Analog Two-Stage Lightning Protection Kit (for existing analog truck scales) NOTE: Warranty coverage not included	2,590
61038111	TA205922	VTS231 gap cover debris seal (100' roll)	540
<b>T-Belting</b>			
68006838	082453001	T-belting debris seal - by the foot	12.50 / ft
63051534	082453011	T-belting debris seal - 11 ft	115
63051535	082453070	T-belting debris seal - 70 ft	725
63051536	082453100	T-belting debris seal - 100 ft	985
<b>Resistors</b>			
61043496		POWERCELL PDX Termination Resistor with Boot	202
<b>Miscellaneous</b>			
64056485	91073500A	Photo-Eye kit	1,485

(Maximum non-hazardous cable length - 900', consult instrument technical manual for specific lengths)

## Class 1 Division 1/2 Hazardous Options for POWERCELL MTX scales

Order Number	Legacy Reference Number	Description	List Price (CAD)
*	Engineer to Order	12 load cells or less - Includes 64085421 Intrinsic Safe Barrier(s) and 68001984 Power Supply	5,710
*	Engineer to Order	14-22 load cells - Includes 64085421 Intrinsic Safe Barrier(s) and 68001984 Power Supply	10,100
*	Engineer to Order	24 load cells or more - Includes 64085421 Intrinsic Safe Barrier(s) and 68001984 Power Supply	15,130

Hazardous Note: MAX Home Run (HR) cable length is 400'. 8-12 cell scales require 2 HR cables, 14-18 cells require 3 HR cables, 20-24 cells require 4 HR cables, 28 cells require 5 HR cables.  
61801446 Drawing of Hazardous Area LPO Kit

## POWERCELL Truck Scale Hazardous Area Accessories

Order Number	Legacy Reference Number	Description	List Price (CAD)
64085421		Intrinsic safe barrier for CMOS and MTX POWERCELL truck scales	4,280
68001984		Power Supply Assembly 24V (includes power cord) - with IND780 ≥14 load cells	439
68002184	10386700A	Power Cord (used in Hazardous area LPO kit)	31

**POWERCELL GDD Home Run Cables**

Order Number	Description	List Price (CAD)
30271969	49 ft (15m) POWERCELL GDD Home Run Cable	428
30271970	65 ft (20m) POWERCELL GDD Home Run Cable	505
30271971	82 ft (25m) POWERCELL GDD Home Run Cable	600
30271972	98 ft (30m) POWERCELL GDD Home Run Cable	655
30271973	131 ft (40m) POWERCELL GDD Home Run Cable	835
30271974	164 ft (50m) POWERCELL GDD Home Run Cable	1,000
30333760	197 ft (60m) POWERCELL GDD Home Run Cable	1,095
30333761	230 ft (70m) POWERCELL GDD Home Run Cable	1,250
30271975	262 ft (80m) POWERCELL GDD Home Run Cable	1,540
30333762	295 ft (90m) POWERCELL GDD Home Run Cable	1,695
30271976	328 ft (100m) POWERCELL GDD Home Run Cable	1,830
30333763	361 ft (110m) POWERCELL GDD Home Run Cable	1,985
30333764	394 ft (120m) POWERCELL GDD Home Run Cable	2,150
30333765	426 ft (130m) POWERCELL GDD Home Run Cable	2,315
30333766	459 ft (140m) POWERCELL GDD Home Run Cable	2,470
30271977	492 ft (150m) POWERCELL GDD Home Run Cable	2,655

\*Homerun cables for GDD are pre-terminated on the junction box end. The end that goes into the terminal is unfinished the same as POWERCELL PDX

**POWERCELL PDX Load cell to load cell cables**

61043480	TA000233-002	Cable LC PDX 2 Meters	345
61045529	TA000233-003	Cable LC PDX 3 Meters	358
61043523	TA000233-004	Cable LC PDX 4 Meters	377
61043481	TA000233-005	Cable LC PDX 5 Meters	429
61043482	TA000233-007	Cable LC PDX 7 Meters	494
61043483	TA000233-008	Cable LC PDX 8 Meters	520
61043484	TA000233-009	Cable LC PDX 9 Meters	527
61043485	TA000233-010	Cable LC PDX 10 Meters	540
61043486	TA000233-011	Cable LC PDX 11 Meters	553
61043487	TA000233-012	Cable LC PDX 12 Meters	566
61045854	TA000233-015	Cable LC PDX 15 Meters	631
61043524	TA000233-020	Cable LC PDX 20 Meters	715
61043488	TA000233-024	Cable LC PDX 24 Meters	1,001
61044989	TA000233-040	Cable LC PDX 40 Meters	1,170
61045206	TA000233-050	Cable LC PDX 50 Meters	1,385
61045311	TA000233-100	Cable LC PDX 100 Meters	2,594

## POWERCELL PDX Home Run Cables

Order Number	Legacy Reference Number	Description	List Price (CAD)
61044730	TA000237-010	32 ft (10m) POWERCELL PDX Home Run Cable	392
61045661	TA000237-015	49 ft (15m) POWERCELL PDX Home Run Cable	481
61044731	TA000237-020	65 ft (20m) POWERCELL PDX Home Run Cable	565
61044732	TA000237-030	98 ft (30m) POWERCELL PDX Home Run Cable	755
61044733	TA000237-040	131 ft (40m) POWERCELL PDX Home Run Cable	910
61044734	TA000237-050	164 ft (50m) POWERCELL PDX Home Run Cable	1,165
61044735	TA000237-060	197 ft (60m) POWERCELL PDX Home Run Cable	1,455
61044736	TA000237-070	230 ft (70m) POWERCELL PDX Home Run Cable	1,650
61044737	TA000237-080	262 ft (80m) POWERCELL PDX Home Run Cable	1,860
61044738	TA000237-090	295 ft (90m) POWERCELL PDX Home Run Cable	2,065
61044739	TA000237-100	328 ft (100m) POWERCELL PDX Home Run Cable	2,260
61044740	TA000237-110	361 ft (110m) POWERCELL PDX Home Run Cable	2,300
61044741	TA000237-120	394 ft (120m) POWERCELL PDX Home Run Cable	2,655
61044742	TA000237-130	426 ft (130m) POWERCELL PDX Home Run Cable	2,860
61044748	TA000237-140	459 ft (140m) POWERCELL PDX Home Run Cable	3,055
61044749	TA000237-150	492 ft (150m) POWERCELL PDX Home Run Cable	3,245
61044750	TA000237-160	525 ft (160m) POWERCELL PDX Home Run Cable	3,455
61044751	TA000237-170	558 ft (170m) POWERCELL PDX Home Run Cable	3,655
61044752	TA000237-180	590 ft (180m) POWERCELL PDX Home Run Cable	3,855
61044753	TA000237-190	623 ft (190m) POWERCELL PDX Home Run Cable	4,050
61044754	TA000237-200	656 ft (200m) POWERCELL PDX Home Run Cable	4,260
61044755	TA000237-210	689 ft (210m) POWERCELL PDX Home Run Cable	4,450
61044757	TA000237-220	722 ft (220m) POWERCELL PDX Home Run Cable	4,650
61044758	TA000237-230	754 ft (230m) POWERCELL PDX Home Run Cable	4,870
61044759	TA000237-240	787 ft (240m) POWERCELL PDX Home Run Cable	5,055
61044760	TA000237-250	820 ft (250m) POWERCELL PDX Home Run Cable	5,260
61044761	TA000237-260	853 ft (260m) POWERCELL PDX Home Run Cable	5,490
61044762	TA000237-270	886 ft (270m) POWERCELL PDX Home Run Cable	5,645
61044763	TA000237-280	918 ft (280m) POWERCELL PDX Home Run Cable	5,860
61044764	TA000237-290	951 ft (290m) POWERCELL PDX Home Run Cable	6,055
61044765	TA000237-300	984 ft (300m) POWERCELL PDX Home Run Cable	6,265
	Call	1,148 ft (350m) POWERCELL PDX Home Run Cable	call
		1,247 ft (380m) POWERCELL PDX Home Run Cable	call
		1,312 ft (400m) POWERCELL PDX Home Run Cable	call
		1,378 ft (420m) POWERCELL PDX Home Run Cable	call



## POWERCELL PDX Vehicle Scale Home Run Cables

Reference

Non-Hazardous Area Configuration												
IND780 PDX PCB, no I/O or comm board options	Number of POWERCELL® PDX® Load Cells											
	4	6	8	10	12	14	16	18	20	22	24	
<b>“Thin” TA000237-XXX Home Run Cable Length</b> <small>(Both the green and black wire connected to ground at terminal.)</small>	300m (984 ft)											
	290m (951 ft)											
	280m (919 ft)											
	270m (886 ft)											
	260m (853 ft)											
	250m (820 ft)											
	240m (787 ft)											
	230m (755 ft)											
	220m (722 ft)											
	210m (689 ft)											
	200m (656 ft)											
	190m (623 ft)											
	180m (591 ft)											
	170m (558 ft)											
	160m (525 ft)											
	150m (492 ft)											
	140m (459 ft)											
	130m (427 ft)											
	120m (394 ft)											
	110m (361 ft)											
100m (328 ft)												
090m (295 ft)												
080m (263 ft)												
070m (229 ft)												
060m (197 ft)												
050m (164 ft)												
040m (131 ft)												
030m (98 ft)												
020m (66 ft)												
010m (33 ft)												
Confirmed operation up to 50°C (122°F).	<33m	<55m	<73m	<91m	<109m	<120m	<142m	<164m	<186m	<200m	<200m	
<b>Total Cell-to-Cell Cable Length</b>												

Shaded area indicates valid configurations requiring the 24V power supply. (Included in LPO kit for scales with 14 or more load cells)

Solid area indicates valid configurations with the integral 12V power supply

**Notes**

When connected to an IND246PDX or IND560PDX, the “thin” TA000237 Home Run cable can be used in system configurations with up to 300m home run cable length, 120m total load cell cables to junction box, and 14 POWERCELL® PDX® load cells. When connected to an IND780 with the standard integral 12V power supply, the allowable system configurations with the “thin” TA000237 Home Run cable are limited to those shown in the solid area. When connected to an IND780 with an external 24V power supply, the “thin” TA000237 Home Run cable can be used in system configurations up to 300m home run cable length, 200m total cell-to-cell cable length, and 24 POWERCELL® PDX® load cells.

**POWERCELL PDX Vehicle Scale Home Run Cables (Hazardous Area)**

Reference

**Hazardous Area Configuration Table for Div 2, Zone 2/22**

IND780 PDX PCB, no I/O or comm board options		Number of POWERCELL® PDX® Load Cells																			
		4	6	8	10	12	14	16	18	20	22	24									
"Thin" TA000237-XXX Home Run Cable Length <small>(Both the green and black wire connected to ground at terminal.)</small>	300m (984 ft)																				
	290m (951 ft)																				
	280m (919 ft)																				
	270m (886 ft)																				
	260m (853 ft)																				
	250m (820 ft)																				
	240m (787 ft)																				
	230m (755 ft)																				
	220m (722 ft)																				
	210m (689 ft)																				
	200m (656 ft)																				
	190m (623 ft)																				
	180m (591 ft)																				
	170m (558 ft)																				
	160m (525 ft)																				
	150m (492 ft)																				
	140m (459 ft)																				
	130m (427 ft)																				
	120m (394 ft)																				
	110m (361 ft)																				
100m (328 ft)																					
090m (295 ft)																					
080m (263 ft)																					
070m (229 ft)																					
060m (197 ft)																					
050m (164 ft)																					
040m (131 ft)																					
030m (98 ft)																					
020m (66 ft)																					
010m (33 ft)																					
Confirmed operation up to 50°C (122°F).		≤33m	≤55m	≤73m	≤91m	≤109m	≤120m	≤142m	≤164m	≤186m	≤200m	≤200m									
		<b>Total Cell-to-Cell Cable Length</b>																			

White area indicates a custom solution. Consult factory.

Grey area indicates valid hazardous configuration with qty 2 IND780 terminals, 2 HR cables, and 2 LPO kits. Treated as a custom order.

Solid area indicates valid hazardous configuration with the IND780 integral 12V power supply.

**Notes**

Solutions in the Grey-Shaded or White Area - Call for Custom Pricing

# Receiver Care Parts Kit

## Vehicle Load Cell Receiver Kits

### Aftermarket Parts

#### Receivers and Critical Components

Load cell receivers are critical to the weighing accuracy and life span of any vehicle scale. Regular maintenance and replacing worn receivers saves money by preventing costly repairs and downtime.

Kits have been preassembled for your convenience to replace receivers for 0760 POWERCELL or POWERCELL MTX load cells.

#### Standard Features

Upper load cell receiver

Lower load cell receiver

Grease

Dielectric connector grease

Each POWERCELL MTX kit also includes an MTX boot for each load cell in the kit



#### Notes

Aftermarket spare parts discounts apply to receiver care kits.

Take time to verify the receivers required for the scale and load cells. E.g. not all 25t cells use 25t receivers in certain models and kits.

#### 0760 POWERCELL 25t Receiver Kit (NMOS & CMOS)

Order Number	Legacy Reference Number	Kit Size	Receiver Kit Type	List Price (CAD)
61042646	TA207486-A04	4 cell kit	0760 POWERCELL 25t Receiver Kit	1,890
61042650	TA207486-A06	6 cell kit		2,770
61042651	TA207486-A08	8 cell kit		3,655
61042652	TA207486-A10	10 cell kit		4,525
61042653	TA207486-A12	12 cell kit		5,415
61042654	TA207486-A14	14 cell kit		6,285

#### 0760 POWERCELL 45t Receiver Kit (NMOS & CMOS, NOT FOR 7563, CALL FOR CUSTOM)

Order Number	Legacy Reference Number	Kit Size	Receiver Kit Type	List Price (CAD)
61042655	TA207486-B04	4 cell kit	0760 POWERCELL 45t Receiver Kit	2,140
61042656	TA207486-B06	6 cell kit		3,145
61042657	TA207486-B08	8 cell kit		4,155
61042658	TA207486-B10	10 cell kit		5,160
61042659	TA207486-B12	12 cell kit		6,150
61042660	TA207486-B14	14 cell kit		7,160

**POWERCELL MTX 25t Receiver Kit**

Order Number	Legacy Reference Number	Kit Size	Receiver Kit Type	List Price (CAD)
61042661	TA207486-C04	4 cell kit	POWERCELL MTX 25t Receiver Kit	2,095
61042662	TA207486-C06	6 cell kit		3,080
61042663	TA207486-C08	8 cell kit		4,050
61042664	TA207486-C10	10 cell kit		5,035
61042665	TA207486-C12	12 cell kit		6,015
61042666	TA207486-C14	14 cell kit		6,985

**POWERCELL MTX 45t Receiver Kit (Pricing is the same for 7563, call for Custom Quote)**

Order Number	Legacy Reference Number	Kit Size	Receiver Kit Type	List Price (CAD)
61042667	TA207486-D04	4 cell kit	POWERCELL MTX 45t Receiver Kit	2,335
61042668	TA207486-D06	6 cell kit		3,440
61042669	TA207486-D08	8 cell kit		4,550
61042670	TA207486-D10	10 cell kit		5,645
61042672	TA207486-D12	12 cell kit		6,750
61042673	TA207486-D14	14 cell kit		7,855

# Installation Information

## Rates, Responsibilities and Policies

### Freight Rates

#### General Information

All Freight Rate Quotes are provided by METTLER TOLEDO  
 Rates apply to US destinations only  
 METTLER TOLEDO Truck Minimum Charge \$1,000  
 METTLER TOLEDO Truck Combined loads  
     same Distributor: \$250 adder plus round trip mileage  
     Multiple Distributors: 0.75 x Standard Rate (each customer)  
 Contract Hauler  
     Current Rate +5% (\$350 max)  
     Plus Permits  
 Contract Hauler Combined loads  
     Quotes Provided by METTLER TOLEDO

#### Notes (Applies to METTLER TOLEDO and Contract Haul carriers)

Contact Factory for maximum load capacity  
 Number of Modules varies with length and scale configuration  
 Side Rail option will reduce the modules/load  
 Safe Operating Conditions are at the Driver Discretion and could result in load not dropped.  
 All Deliveries F.O.B. Columbus, Ohio  
 Final freight rates are also subject to Toll Charges and Fuel Surcharges



### Installer Responsibility

#### Inspect Foundation - Correct deficiencies before truck arrives

Length  
 Width  
 Squareness  
 Height and Level of Piers  
 Embedded Bumper Plates

#### Access to Site - Contact METTLER TOLEDO for special considerations

Free access to the site  
 Special permissions or permits  
 Safety Training  
 Overhead wires  
 Road/Off-Road condition  
 Gates, keys, other security

#### On-site Support

See Technician or Assistance requirements for Full, Partial, and Drop  
 Required tools available (as outlined in manuals)  
 Provide and operate hammer drills  
 Weights and Measures inspection and stamping



Consultative

# DataBridge SS™ Vehicle Scale Software

## State-of-the-Art Technology for All Industries

### Standard Features

- Control of up to two scales plus a manual scale
- Supports both METTLER TOLEDO and other brand weigh terminals
- Full-length weighing for both One Pass (stored tare) and Two Pass (Inbound/Outbound) Transactions
- State-of-the-Art technology compatible with Windows operating systems
- Single-seat installation and database local to PC (non-networkable)
- Microsoft SQL Server 2008 R2 Express database
- Interactive training videos and printable help manual
- Role based security with two roles (Operator and Configurator) with password expiration
- Database tables for Customer, Hauler, Vehicle, Attachment, Material, Tax, Contract, and 3 custom tables
- Presets
- Touchscreen friendly Weigh Screen
- Tare management: tare expiration, auto update tare and tare exception percentage
- Quick-add vehicles
- Standard product pricing and customer specific pricing
- Standard and In-Yard Tickets with editable company info
- 5 included Reports: Daily Transaction, Customer, Material & Hauler Summary, and Transaction Audit
- Void transactions and reprint tickets
- Import data & export transactions
- Historical copy of original transaction data
- Language: English, French, Spanish, German, Dutch, Swedish, & Norsk

DataBridge™ SS



### DataBridge SS Modules

Order Number	Legacy Reference Number	Description	List Price (CAD)
61046588	61046588	DataBridge SS - Scale House Software	1,985

# DataBridge MS™

## Vehicle Scale Software

DataBridge™



### State-of-the-Art Technology for All Industries

#### Information at Your Fingertips

DataBridge™ SS scale house software can automate your vehicle weighing operation. Processing and transaction speed are both optimized while utilizing a secure database for increased organization.

#### Professional Management

Add-on modules allow for selection of extra functions as needed. This adds an extra level of adaptability to DataBridge MS.

#### Standard Features

- Control of up to six scales plus a manual scale
- Supports both METTLER TOLEDO and other brand weigh terminals
- Full length, split-axle, multi-platform and unattended weighing
- State-of-the-Art technology compatible with Windows operating systems
- Multi-user access on multiple workstations all connected to single database on a master workstation or a dedicated server (networkable)
- Microsoft SQL Server 2008 R2 Express database
- Interactive training videos and printable help manual
- Role based security with two roles (Operator and Configurator) with password expiration
- Database tables for Customer, Hauler, Vehicle, Attachment, Material, Tax, Contract, and 9 custom tables
- Touchscreen friendly Weigh Screen
- Tare management: tare expiration, auto update tare and tare exception percentage
- Quick-add vehicles
- Standard product pricing and customer specific pricing
- Standard and In-Yard Tickets with editable company info
- 11 included Reports: Daily Transaction, Customer, Material & Hauler Summary, Transaction Audit, Contact Material Summary, Fee Summary, Tax-Exempt Summary, time In-Yard, Custom Data Entry Tracker
- Void transactions and reprint tickets
- Import data & export transactions
- Historical copy of original transaction data
- Language: English, French, Spanish, German, Dutch, Swedish, & Norsk

[www.mt.com/databridge](http://www.mt.com/databridge)

**Contact Advanced  
Solutions Group for  
quotes**

#### DataBridge MS Modules

Order Number	Description	List Price (CAD)
61046589	Software DB MS	5,250
30133395	Software DB SS to MS Upgrade	3,190
30088371	Software DB MS Update	670
30093598	Software DB MS Client	1,210
30313081	Software DB MS Database Plug-In	620
30313069	Software DB MS Database Failover	353
30215051	Software DB MS Image Capture	1,395
30093599	Software DB MS IND9U	2,260
30215052	Software DB MS Touch IND9UT	1,960
30330996	Software DB MS Invoicing	1,810
30237199	Software DB MS Report Builder	565
30215023	Software DB MS Verifone CC	1,455
30133397	Software OD Base to DB MS Base Upgrade	3,940
30133396	Software OD Client to DB MS Client Upgrade	900
30133398	Software OD UNAT to DB MS IND9U Upgrade	1,685
30454209	Software AS to DB MS Upgrade	4,255
30454210	Software AS Client to DB MS Client Upgrade	960
30454212	Software AS UNAT to DB UNAT	1,815

Effective July 1, 2018 Prices Subject to Change

Consultative

# IND9U

## Unattended Data Terminals



### Custom Terminal for Custom Software Application

#### IND9UO Unattended Data Terminal - Standard Configurations

Order Number	Description, SCK Number (Indicating Configuration Above)	Scale Options	List Price (CAD)
30449241	Unattended Terminal, IND9U0023101320	None	17,000
30449364	Unattended Terminal, IND9U0020101320	None	13,260
30449790	Unattended Terminal, IND9U0013101320	None	16,060
30449791	Unattended Terminal, IND9U0010101320	None	12,330
30449912	Unattended Terminal, IND9U0003101320	None	15,170
30449914	Unattended Terminal, IND9U0000101320	None	11,440
30449940	Unattended Terminal, IND9U0823101320	IND780 PDX	22,800
30449957	Unattended Terminal, IND9UT003101320	None	19,400

#### IND9US Unattended Weighing Terminal - Standard Configurations

Order Number	Description, SCK Number (Indicating Configuration Above)	Scale Options	List Price (CAD)
30449915	Unattended Terminal, IND9USA23101320	PDX with TE	18,380
30449952	Unattended Terminal, IND9USA13101320	PDX with TE	17,320
30449953	Unattended Terminal, IND9US923101320	PDX with U-Drive	18,390
30449954	Unattended Terminal, IND9US913101320	PDX with U-Drive	17,320
30449955	Unattended Terminal, IND9USD23101320	PDX with Axle 780	18,390
30449956	Unattended Terminal, IND9USD13101320	PDX with Axle 780	17,320

\*\*Contact an ASG vehicle specialist for options/accessories, project assistance and quotations  
Note: Prices are subject to change based on ASG validation.

#### Paper and Card Accessories For UADT, UATA

Order Number	Description	List Price (CAD)
64066380	Printer Paper - 1 Thermal Roll (80mm), 7.5" Dia (Star)	167
64066381	Printer Paper - 1 Thermal Roll (112mm), 7.5" Dia (Star)	180
64066227	Printer Paper - 1 Thermal Roll (60mm), 4" Dia (Hengstler)	56
68017739	Prox Cards (Prox Link-CS)	8





# Accessories

## Unattended Terminals

### Unattended Terminal Accessories

Order Number	Description	List Price (CAD)
64050167	Enclosure to Pole Bracket Mounting Kit	1,330
64086166	Fiber Encl. Pole Mount Support Plate (2 required)	87
64052109	3' Swivel Arm	4,295
64050169	4" Diameter Pole Kit, 6' long, Base, Anchors	1,375
64050168	4" Diameter Pole Kit, 10' long, Base, Anchors	1,840
64050170	4" Diameter Pole, 6' long	337
64050171	4" Diameter Pole, 10' long	610
64050466	25 Prox Clamshell cards	344
64056485	AC Voltage Photoeye Kit (Banner)	1,485
64066557	DC Voltage Photoeye Kit (Banner)	1,340
64087813	Wireless Ethernet Kit 802 11b/g Super G (one node)	1,155
64090187	Wireless RS232 Serial kop (one end only)	1,190
64052143	3 Unit Intercom Base Station for LE-DA	620
64055604	Sun Shield with Pole Mount Bracket	1,530
64052105	Roadway Loop Wiring Kit	2,260
30247417	Roadway Loop Kit, With Pre-formed loop	1,350
64065170	On-Line UPS, 1000VA, 800W, 115VAC	2,525
30243719	On-Line UPS, 1000VA, 800W, 230VAC	2,675
64052037	SmartPass, High power AEI reader for half & full frame tags, RS232/Wiegand	10,910
64051453	5 foot cable w/ connector for SmartPass AEI Reader to Jbox	259
64069679	Pole mount Stainless Junction Box for SmartPass cables or WD cables	920
64064834	20 ga. Data cable, outdoor, 6 conductor, AEI (SmartPass power+data) per meter	8
30129635	Transcore full-frame, AT5412 tag, passive	119
30205356	Traffic Light, R/G, 203mm, LED, w/mounting hardware	1,275
64089951	Pole Kit 76mm dia., 183cm length (25kg Max Load)	1,530
64089786	Pole Kit 76mm dia., 183cm length (12kg Max Load)	980
64089931	Pole Extension Hardware - 76mm or 102mm dia. poles (For WiFi)	785
64089984	Pole, Alum, 38mm SCH40, 152cm, for pole extension	119
64089985	Pole, Alum, 38mm SCH40, 305cm, for pole extension	276
64061353	1 Unit VOIP Intercom Base Station 1-Wall mount 120V	1,795
**	Signature Pad Option	call
30255574	Outdoor Video Camera Kit, 3MP TCP/IP	1,105
30089509	Desktop RF Tag Reader, AWID, USB	615
64051134	SmartPass Pole/Wall mount bracket kit	267
64089850	Lightning Protection Option Mounting Kit	321

Consultative

# ORPS

## Outdoor Remote Printer, Standard



### ORPS Outdoor Remote Printer - Standard Configurations

Order Number	Description, SCK Number (Indicating Configuration Above)	Climate	List Price (CAD)
30449958	Outdoor Printer-Standard, ORPS03010020000	Heater and Fan	7,945

<b>Base model</b>	
O	R P S
<b>Printer Model</b>	
0	Star TUP592 50-80mm width, w/LED Snout
<b>Climate control</b>	
0	None
1	100W heater
2	cooling fan w/filter
3	heater plus fan / filter
<b>Paper Exit Cover</b>	
0	SST Hood
<b>Ethernet Switch</b>	
0	No switch
1	5 port industrial Ethernet switch (91205100A)
<b>Intercom</b>	
0	No intercom
1	Direct Wired LE-DA (90823800A)
<b>Buttons</b>	
0	None
<b>Communication Interface, wiring</b>	
0	USB Type B Receptacle
1	RS232 -> Terminals
2	Ethernet Print Server RJ45 Receptacle
<b>Input / Output Options</b>	
0	No input / outputs
1	AWID proximity reader w/Ethernet interface
2	ARM100 I/O w/Ethernet interface
3	AWID plus ARM100 w/Ethernet interface
4	ARM100 I/O w/RS485
<b>WiFi Network</b>	
0	None
<b>Miscellaneous Options</b>	
0	None
5	Barcode scanner with window
<b>Future Option</b>	
0	None

Consultative

# ORPM

## Compact Unattended Printer



**ORPM Outdoor Remote Printer - Standard Configurations**

Order Number	Description, SCK Number (Indicating Configuration Above)	Climate	List Price (CAD)
30449959	Outdoor Printer-Mini, Serial, ORPM30001000	Heater and Fan	4,595
30449960	Outdoor Printer-Mini, Ethernet, ORPM30002000	Heater and Fan	4,915

Base model			
O	R	P	M
			<b>Climate control</b> 0 None 1 100W heater 2 cooling fan w/filter 3 heater plus fan / filter
			<b>Ethernet Switch</b> 0 No switch 1 5 port industrial Ethernet switch (30084876)
			<b>Intercom</b> 0 No intercom 1 Direct Wired LE-DA (90823800A) 3 VoIP w/LE-DA (91192200A plus 90823800A)
			<b>Buttons</b> 0 None
			<b>Communication Interface</b> 0 USB Type A 1 RS232 -> Terminals 2 USB plus Ethernet Print Server RJ45
			<b>Input / Output Options</b> 0 no input / outputs 1 AWID proximity reader w/Ethernet interface 3 AWID plus ARM100 w/Ethernet interface
			<b>WiFi Network</b> 0 No WiFi
			<b>Miscellaneous Options</b> 0 None



[www.mt.com](http://www.mt.com)

For more information

**METTLER TOLEDO Group**

Industrial Division

Local contact: [www.mt.com/contacts](http://www.mt.com/contacts)

Subject to technical changes

©07/2018 METTLER TOLEDO. All rights reserved

IND2818LIT

MT-NA MarCom